

US00D978526S

(12) **United States Design Patent**
VanHeusen

(10) **Patent No.:** **US D978,526 S**

(45) **Date of Patent:** **** Feb. 21, 2023**

(54) **HOLSTER STRAP SWIVEL MOUNT**

(71) Applicant: **Wilder Tactical, LLC**, Gastonia, NC
(US)

(72) Inventor: **Joshua VanHeusen**, Gastonia, NC (US)

(73) Assignee: **Wilder Tactical, LLC**, Gastonia, NC
(US)

(**) Term: **15 Years**

(21) Appl. No.: **29/759,415**

(22) Filed: **Nov. 23, 2020**

(51) **LOC (14) Cl.** **03-01**

(52) **U.S. Cl.**
USPC **D3/222; D3/318**

(58) **Field of Classification Search**
USPC ... D3/203.1, 203.5, 215, 220–226, 228–230,
D3/254, 262, 269, 303, 318, 327–328,
D3/301; D22/108–109, 199
(Continued)

(56) **References Cited**

U.S. PATENT DOCUMENTS

5,421,497 A * 6/1995 Gilmore F41C 33/045
224/198
D453,068 S 1/2002 Rogers et al.
(Continued)

OTHER PUBLICATIONS

Modified UBL Drop Leg Strap with QLS Receiver, unknown first available date, wildertactical.com [online], [site visited Oct. 14, 2022], Available at URL: <https://wildertactical.com/belts/leg-straps/modified-ubl-drop-leg-strap-with-qls-receiver/> (Year: 2022).*
(Continued)

Primary Examiner — Michelle E. Wilson
Assistant Examiner — Caitlin A Lavery

(74) *Attorney, Agent, or Firm* — Kim and Lahey Law Firm, LLC; Seann P. Lahey

(57) **CLAIM**

The ornamental design for a holster strap swivel mount, as shown and described.

DESCRIPTION

FIG. 1 is a front perspective view of the holster strap swivel mount design in the environment of a holster support plate and with a leg strap plate extending between features thereof;

FIG. 2 is a front perspective view of the holster strap swivel mount design;

FIG. 3 is a rear perspective view of the holster strap swivel mount design;

FIG. 4 is a front elevation view of the holster strap swivel mount design;

FIG. 5 is a rear elevation view of the holster strap swivel mount design;

FIG. 6 is a right side elevation view of the holster strap swivel mount design;

FIG. 7 is a left side elevation view of the holster strap swivel mount design;

FIG. 8 is a top plan view of the holster strap swivel mount design;

FIG. 9 is a bottom plan view of the holster strap swivel mount design;

FIG. 10 is a front perspective view of an alternative position of the holster strap swivel mount design;

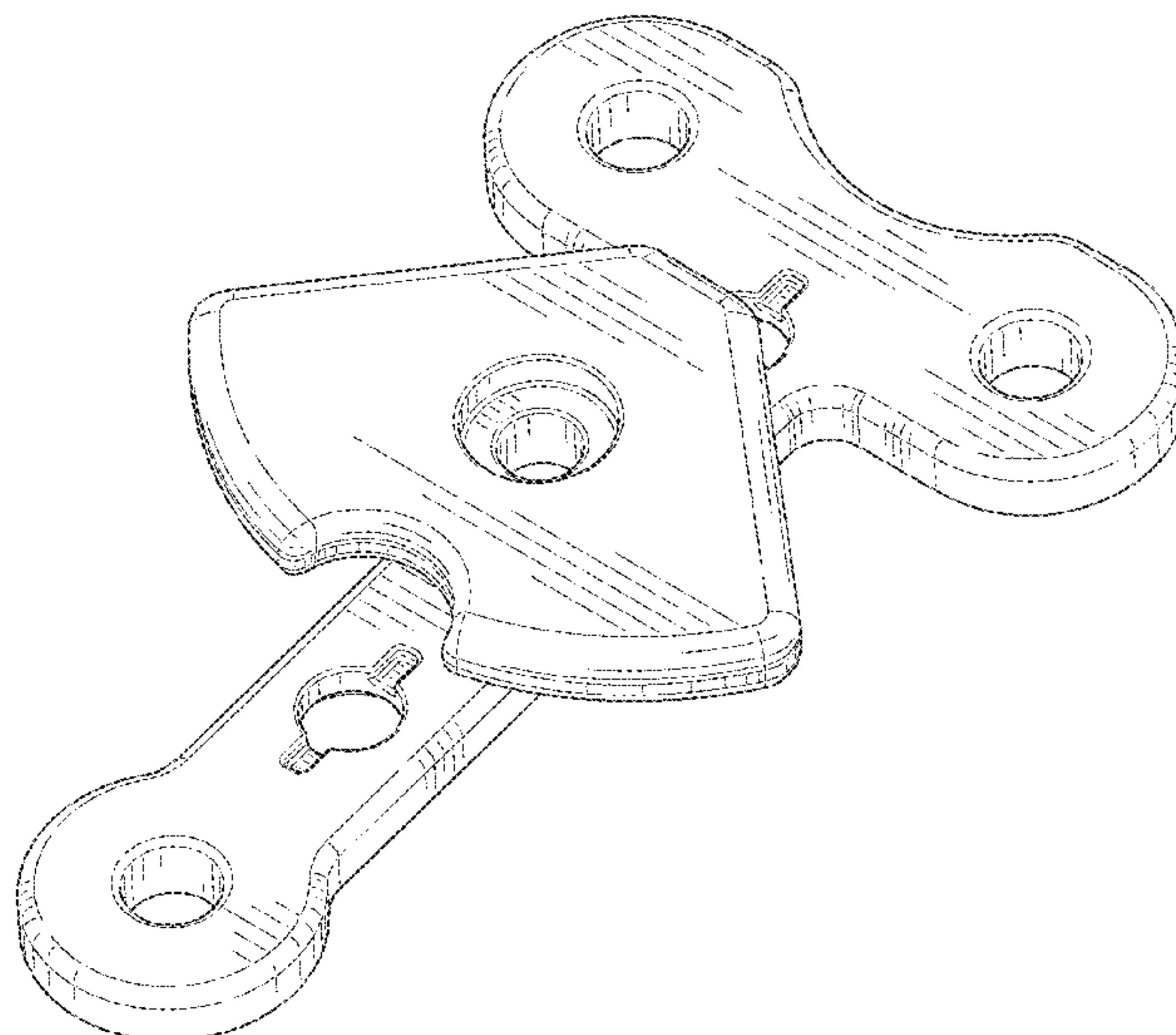
FIG. 11 is a front perspective view of a further alternative position of the holster strap swivel mount design;

FIG. 12 is a front perspective exploded view of the holster strap swivel mount design; and,

FIG. 13 is a rear perspective exploded view of the holster strap swivel mount design.

The broken lines in the figures showing the environment of a holster support plate and leg strap plate form no part of the claimed design.

1 Claim, 11 Drawing Sheets



(58) **Field of Classification Search**

CPC A45F 5/02; A45F 5/021; F41C 33/0227;
 F41C 33/0254; F41C 33/0263; F41C
 33/048; F41C 33/0209; F41C 33/045;
 F41C 33/041; F41C 33/002

See application file for complete search history.

9,841,255 B2 12/2017 Koskan et al.
 D860,642 S * 9/2019 Dara D3/222
 D930,356 S * 9/2021 Eremita D3/218
 D954,546 S * 6/2022 Smith D8/382
 D965,983 S * 10/2022 Coolens D3/318
 D966,699 S * 10/2022 You D3/222
 2005/0178808 A1 * 8/2005 Buis F41C 33/043
 224/198
 2019/0219358 A1 * 7/2019 Rogers F41C 33/045
 2019/0219359 A1 * 7/2019 Rogers A45F 5/021
 2022/0341705 A1 * 10/2022 Hatcher G08B 21/24

(56) **References Cited**

U.S. PATENT DOCUMENTS

6,588,640 B1 7/2003 Rogers et al.
 D507,104 S * 7/2005 Gregory D3/222
 D508,318 S * 8/2005 Gregory D3/222
 D567,707 S * 4/2008 Yeates D11/200
 7,819,370 B2 * 10/2010 Ho F16B 45/00
 24/580.11
 7,927,076 B1 * 4/2011 Bucher F04D 25/088
 416/207
 8,469,245 B2 6/2013 Gregory et al.
 D747,870 S 1/2016 McKendrick et al.

OTHER PUBLICATIONS

UBL Leg Strap Assembly, unknown first available date, wildertactical.com [online], [site visited Oct. 14, 2022], Available at URL: <https://wildertactical.com/belts-accessories/leg-straps/ubl-leg-strap/> (Year: 2022).*

* cited by examiner

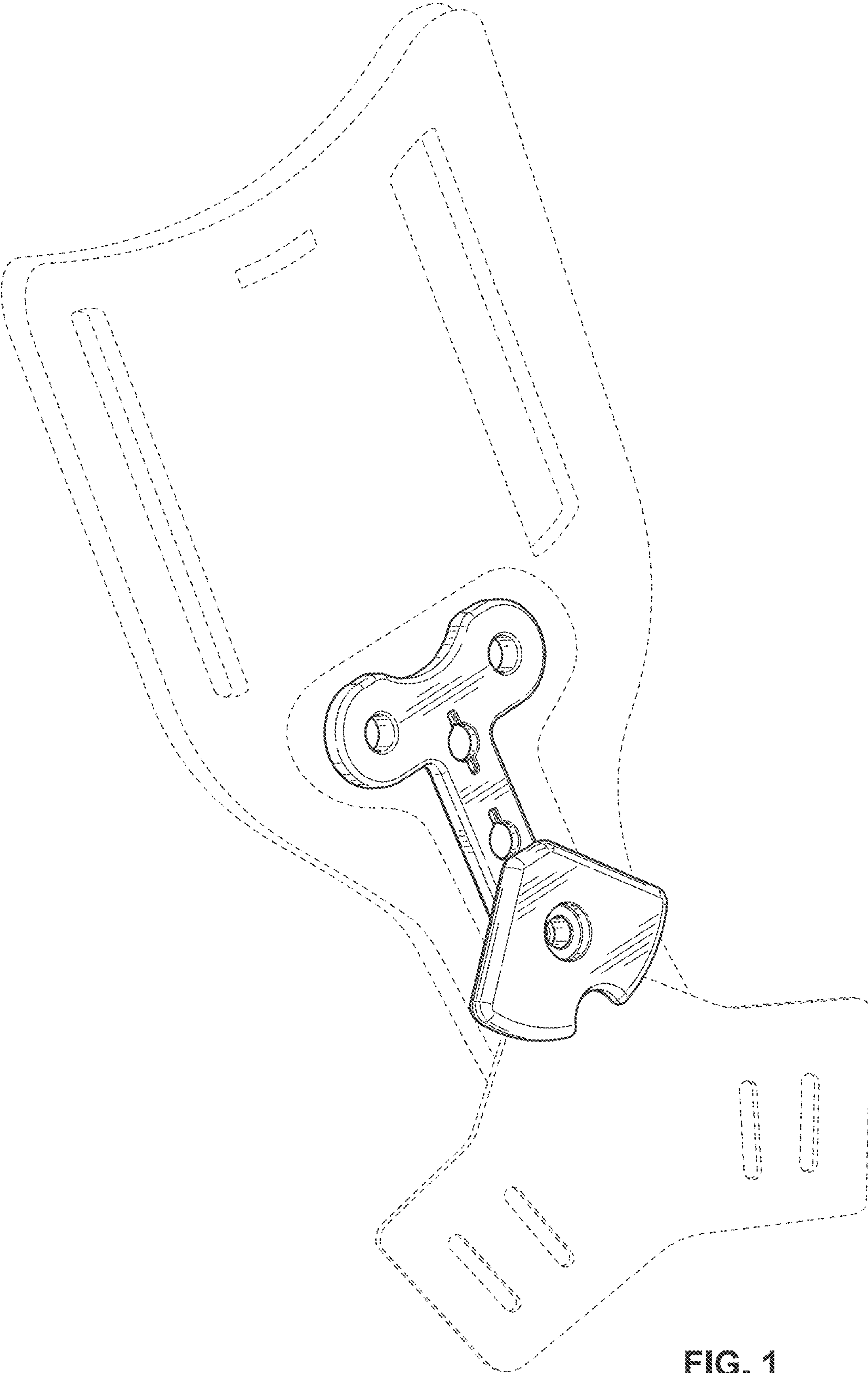


FIG. 1

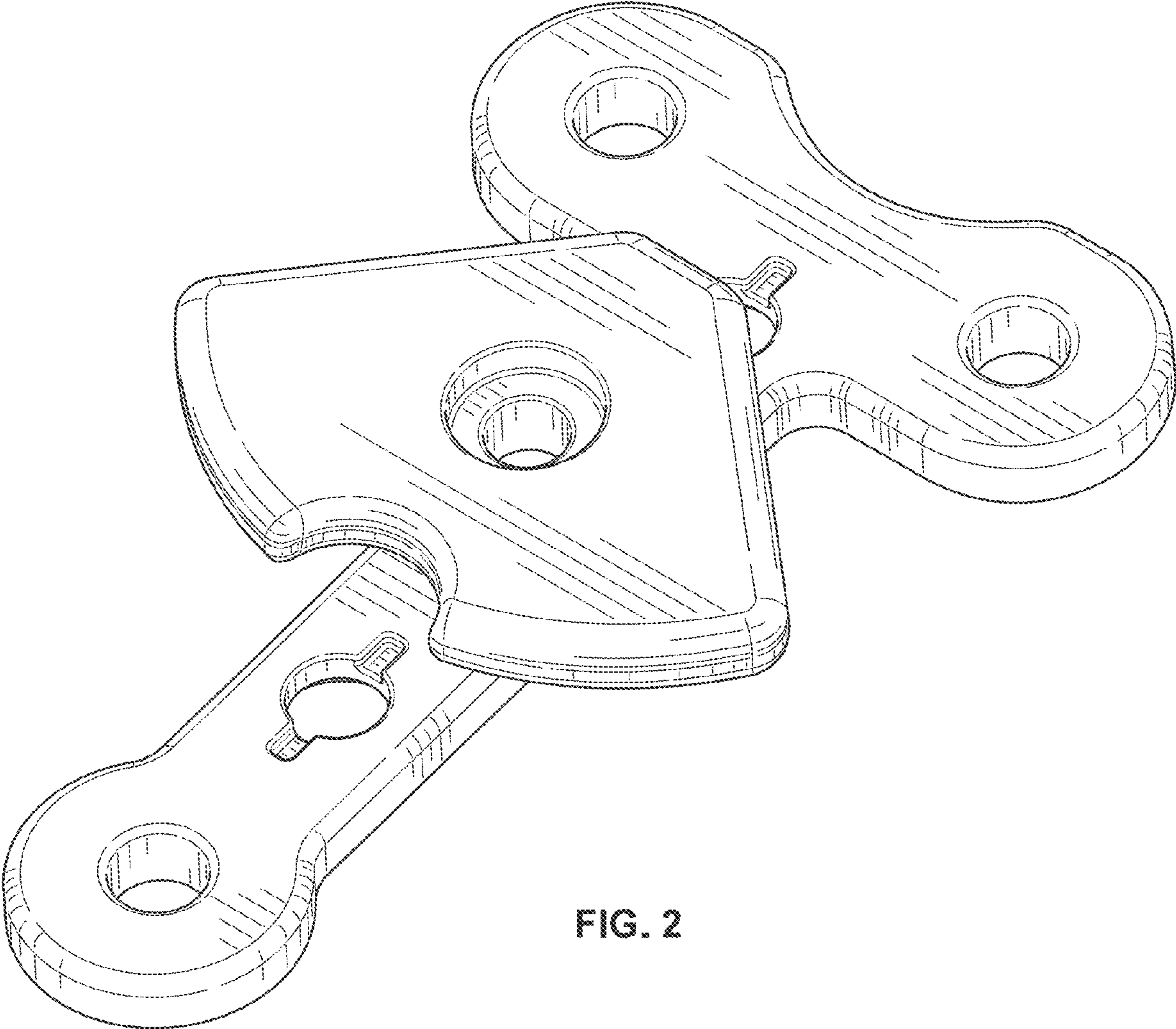


FIG. 2

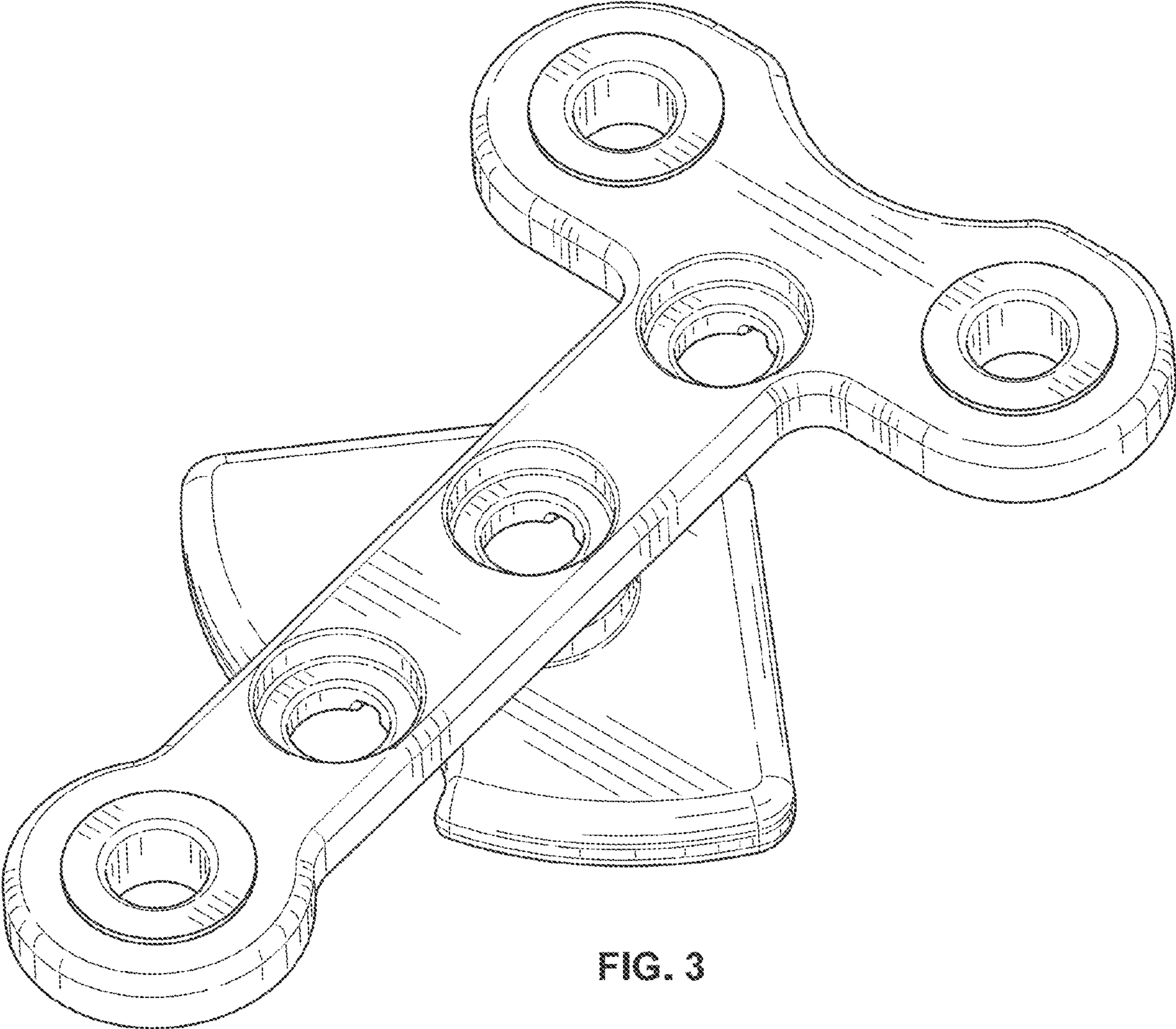


FIG. 3

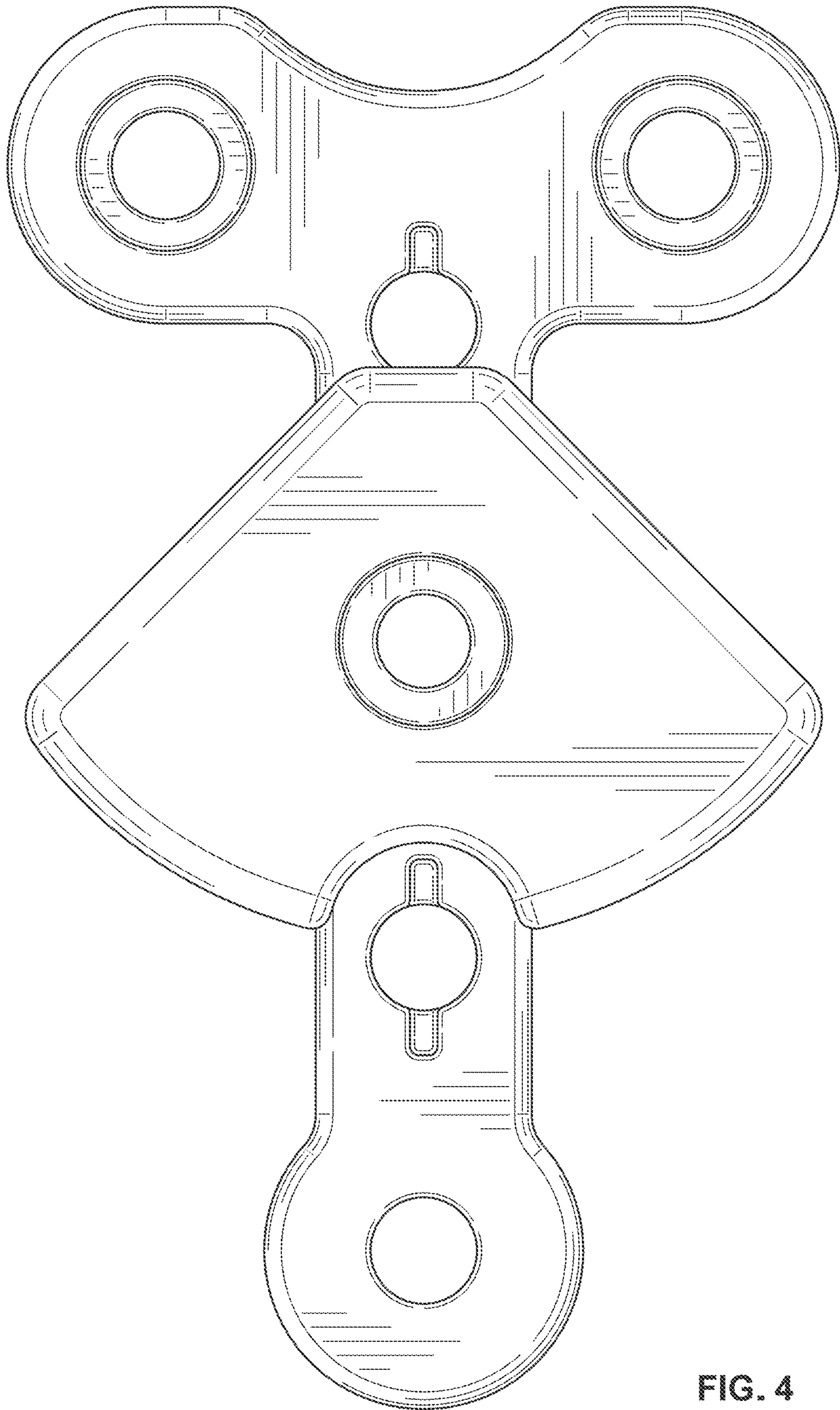


FIG. 4

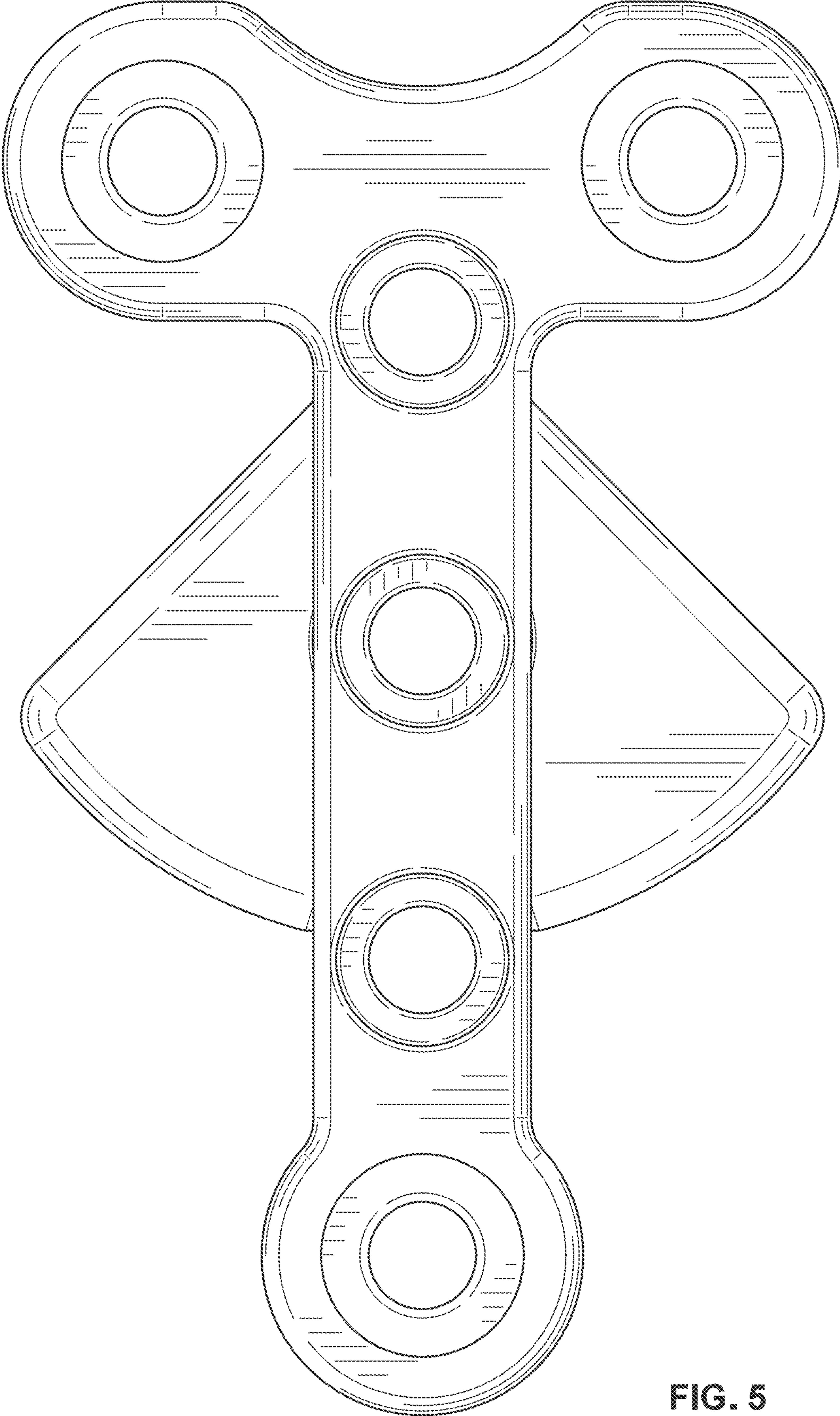


FIG. 5

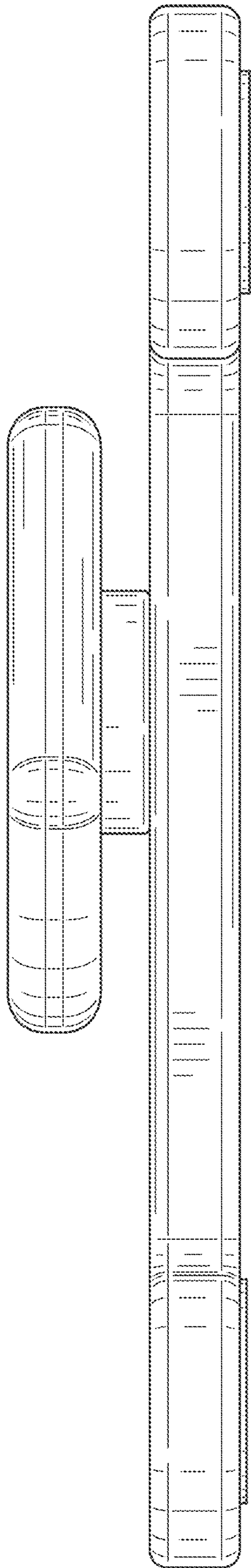


FIG. 6

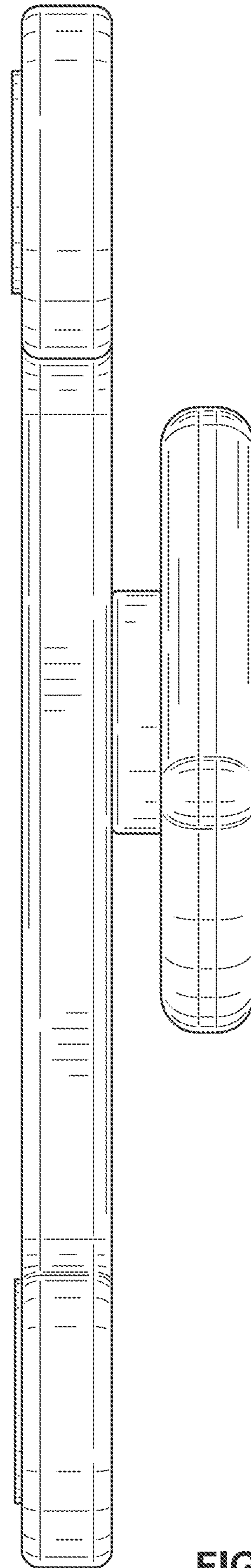


FIG. 7

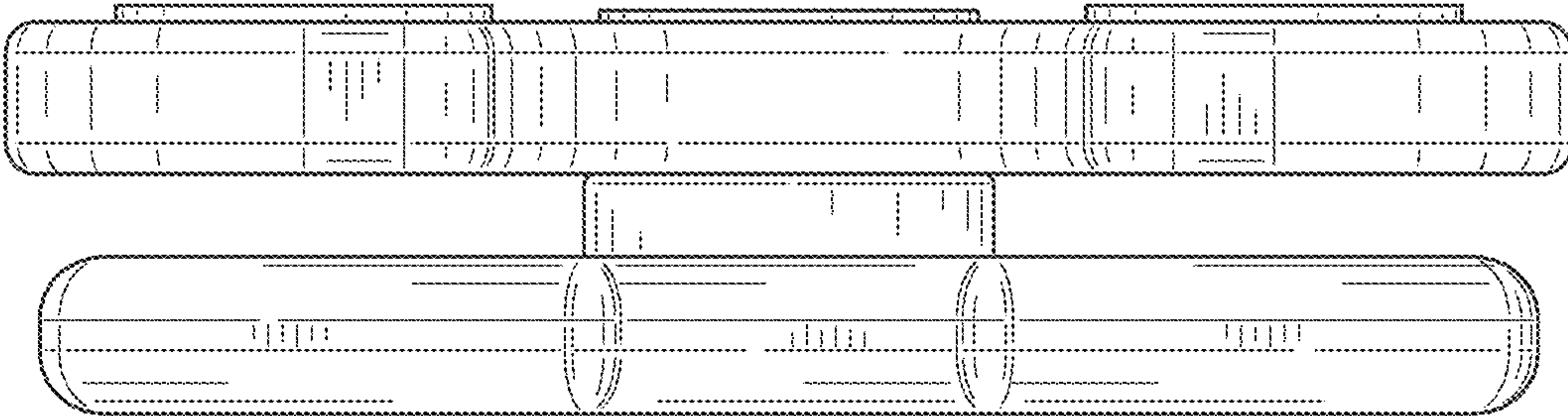


FIG. 8

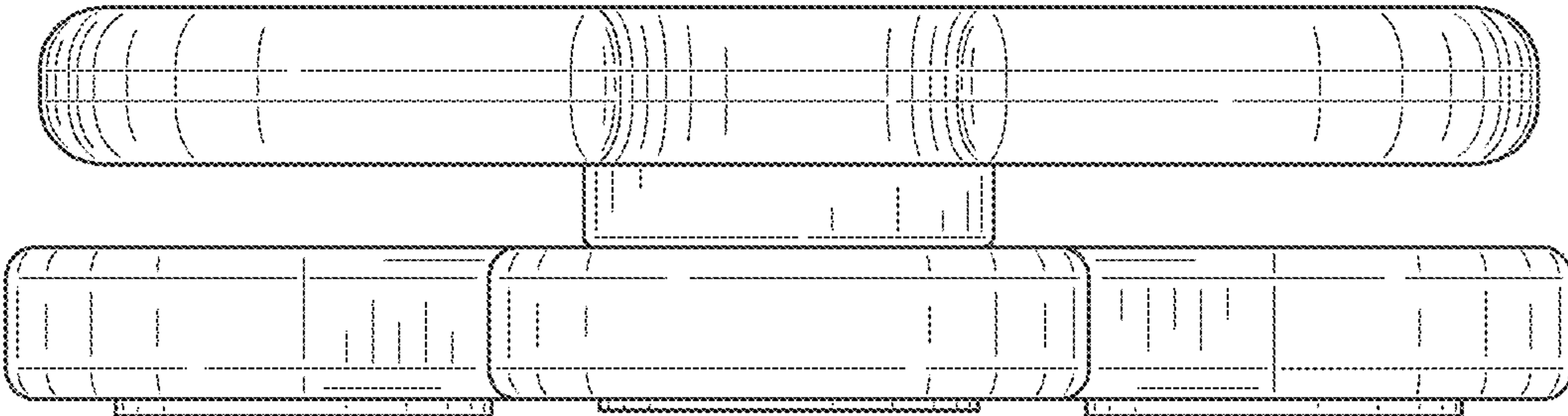


FIG. 9

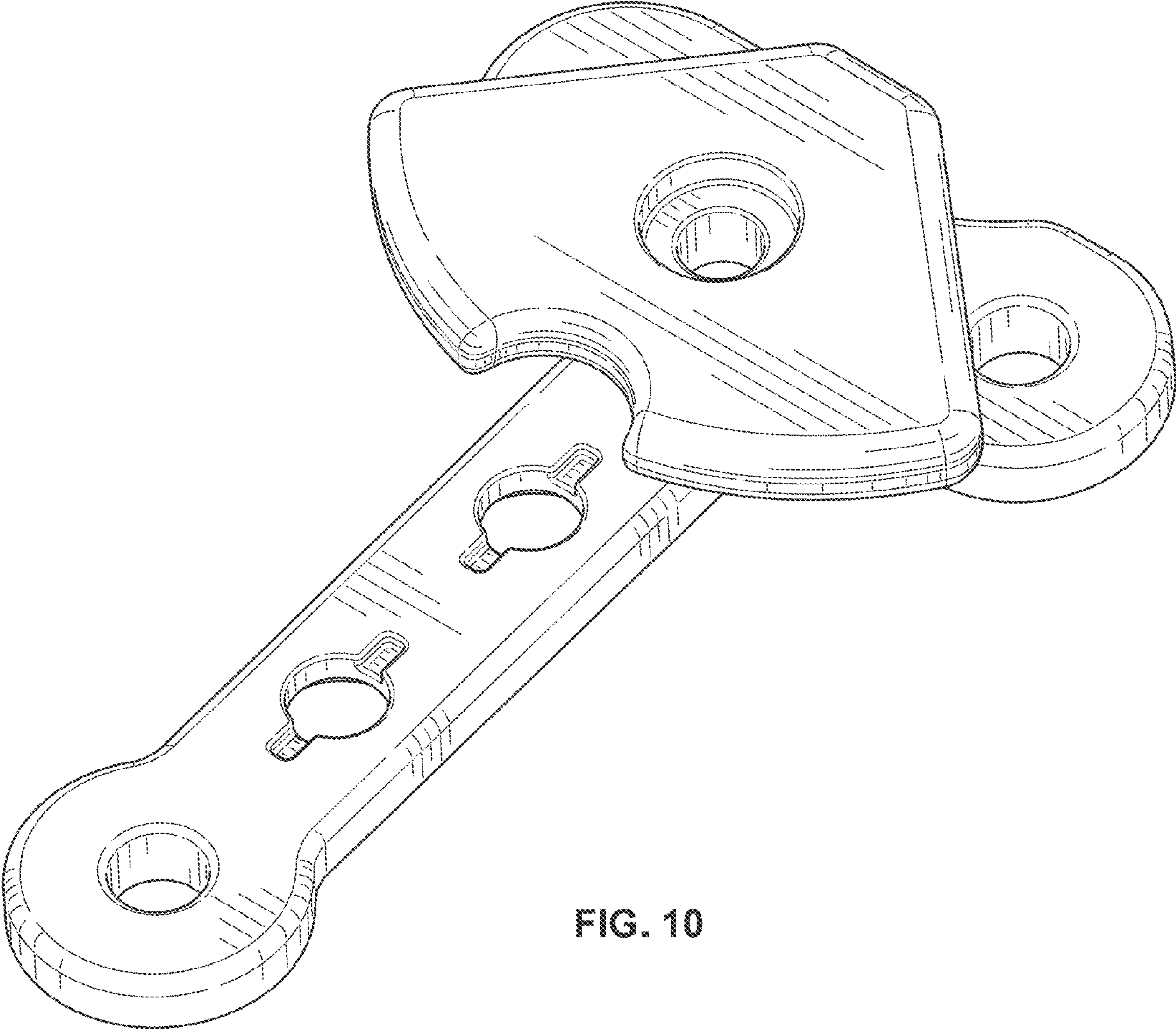


FIG. 10

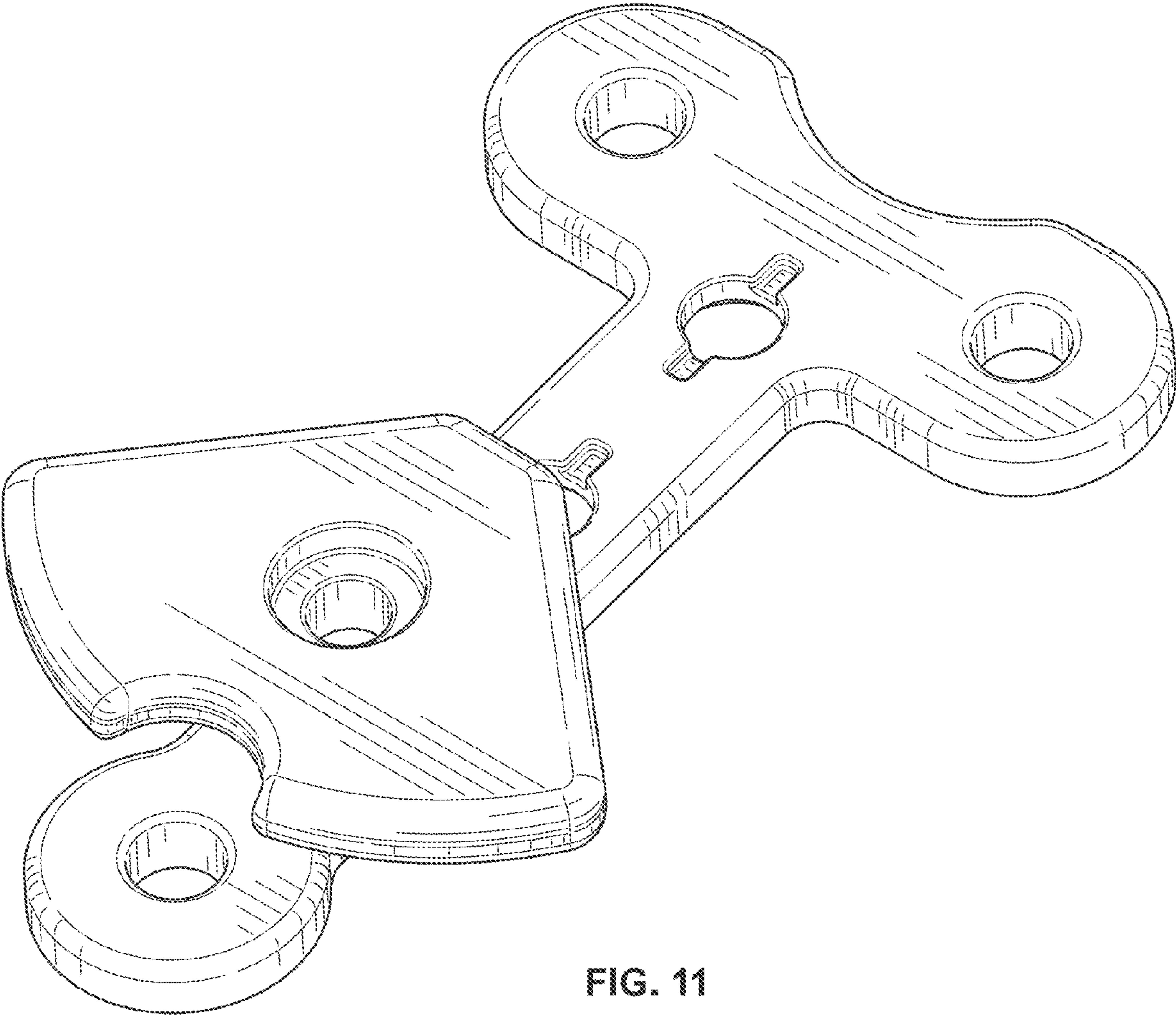


FIG. 11

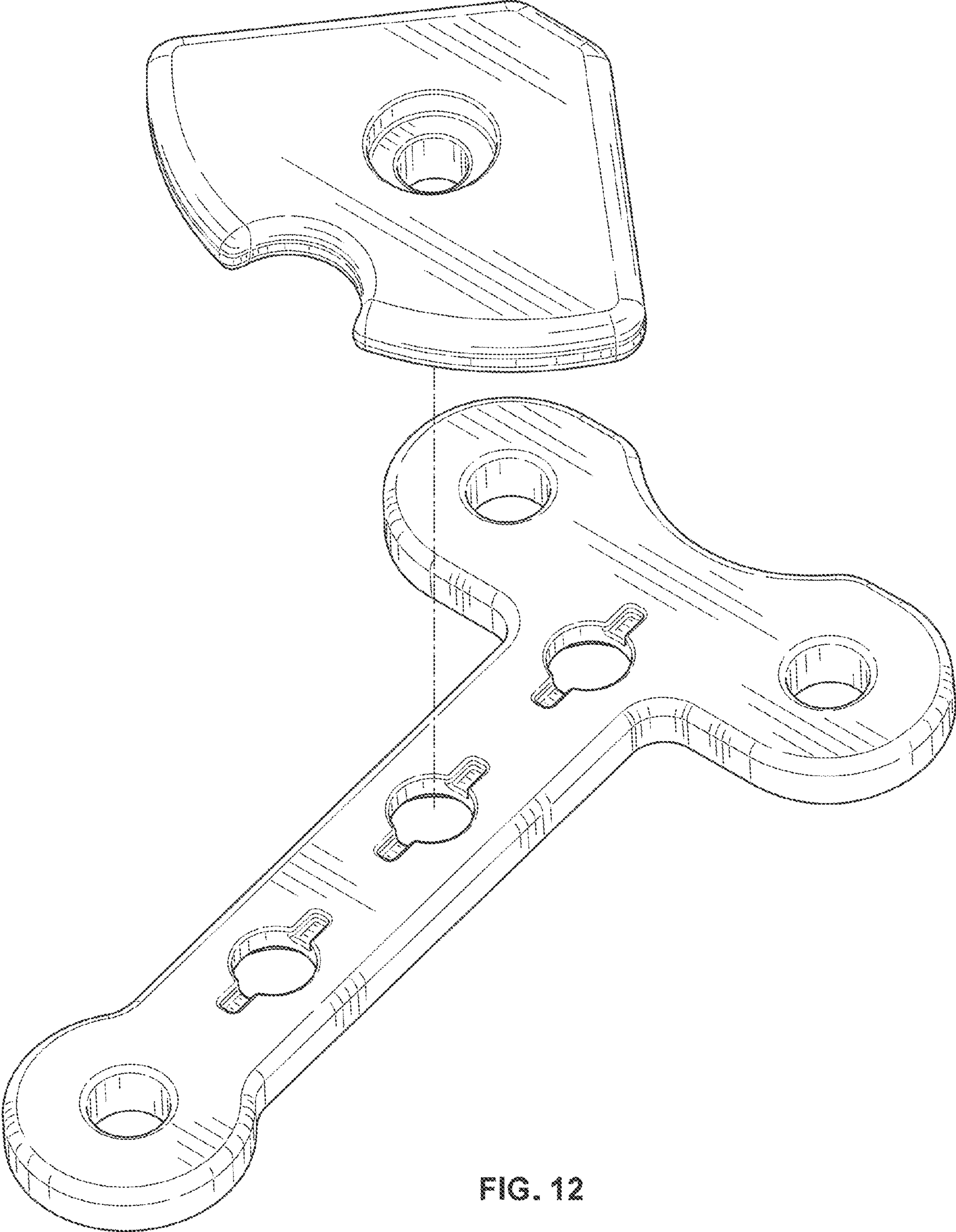


FIG. 12

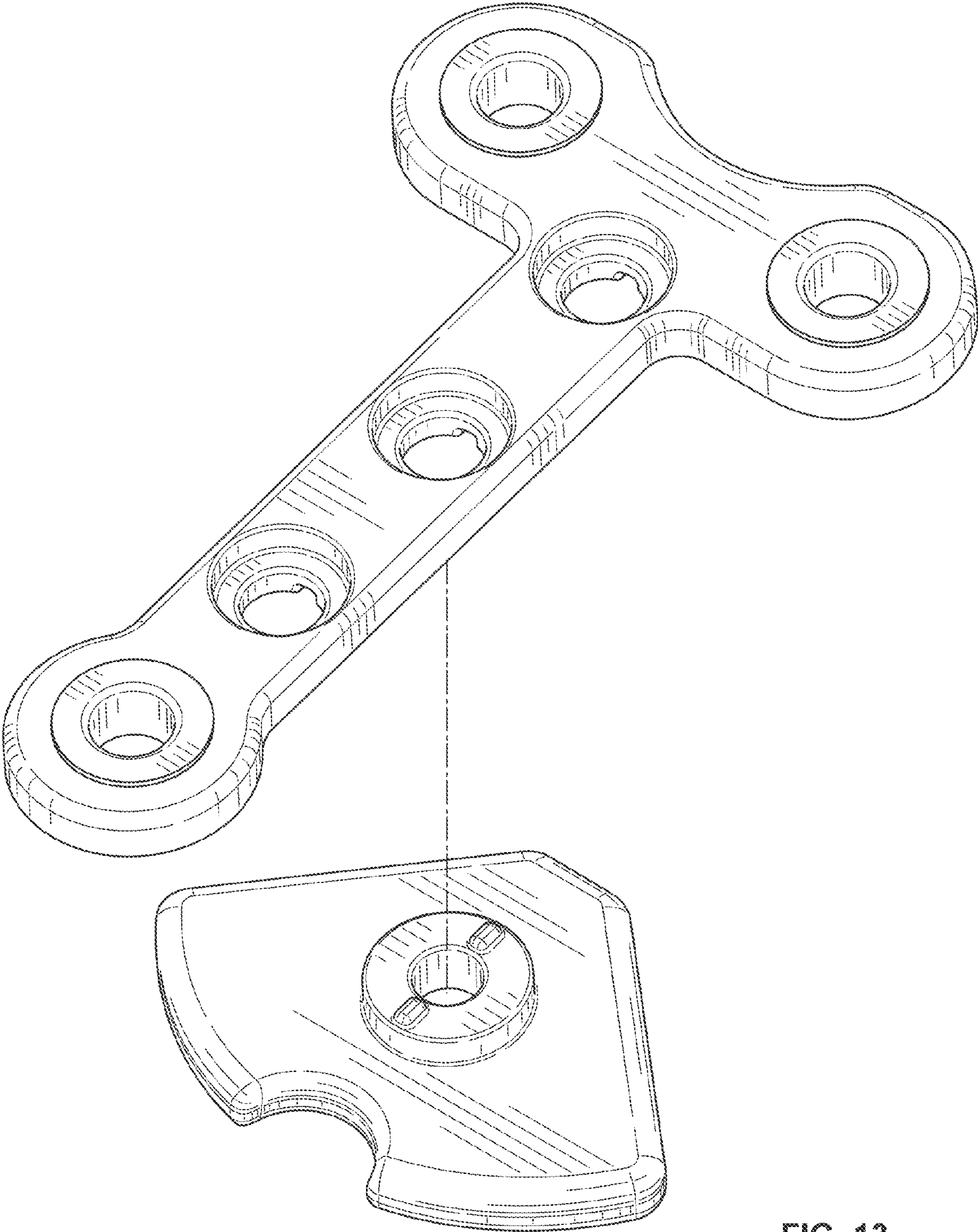


FIG. 13