



US00D978523S

(12) **United States Design Patent** (10) **Patent No.:** **US D978,523 S**  
**Ramponi et al.** (45) **Date of Patent:** **\*\* Feb. 21, 2023**

(54) **CONTAINER**  
(71) Applicant: **Mote LLC**, Newport, RI (US)  
(72) Inventors: **Stephen Ramponi**, Newport, RI (US);  
**Anthony Longo**, Jamestown, RI (US)  
(73) Assignee: **Mote LLC**, Newport, RI (US)  
(\*\*) Term: **15 Years**

D528,782 S \* 9/2006 Oas ..... D3/203.3  
D541,039 S \* 4/2007 Stugelmeyer ..... D3/203.3  
7,434,692 B2 10/2008 Ginsberg et al.  
7,631,764 B2 12/2009 Ginsberg et al.  
8,381,911 B2 \* 2/2013 Buchner ..... B65D 83/04  
206/538  
D756,804 S \* 5/2016 Gross ..... D9/759  
D812,368 S \* 3/2018 Noble ..... D3/203.3  
D897,665 S \* 10/2020 Guo ..... D3/203.3  
D898,346 S \* 10/2020 Lee ..... D3/203.3

(Continued)

(21) Appl. No.: **29/707,494**  
(22) Filed: **Sep. 27, 2019**  
(51) **LOC (14) Cl.** ..... **03-01**  
(52) **U.S. Cl.**  
USPC ..... **D3/203.3**; D3/203.6; D3/304  
(58) **Field of Classification Search**  
USPC ..... D3/201, 203.1–203.8, 206, 273–274,  
D3/294–298, 304, 313–314, 901, 903;  
D7/589; D9/730, 732, 737, 756,  
D9/759–760; D21/369, 372–373,  
D21/392–397; D28/73  
CPC ..... A61J 1/00; A61J 1/03; A61J 7/00; A61J  
7/02; A61J 7/04; A61J 7/0481; A61J  
7/0084; B65B 1/04; B65D 1/00; B65D  
1/36; B65D 83/04; B65D 83/0445; B65D  
83/0481; B65D 43/16; B65D 43/161;  
B65D 43/162; B65D 2583/04; A63F 9/04;  
A63F 11/00; A63F 2003/00772–00791;  
A63F 2003/00943; F21V 33/00  
See application file for complete search history.

**OTHER PUBLICATIONS**

Mote—Life is an adventure, be ready for Anything!, kickstarter project created by Steve Ramponi, launched Jun. 18, 2020, kickstarter.com [online], [site visited Sep. 2, 2021], Available at internet URL: <https://www.kickstarter.com/projects/bringmote/mote-bring-everything-carry-nothing/posts> (Year: 2020).\*

(Continued)

*Primary Examiner* — Jeffrey D Asch  
*Assistant Examiner* — Caitlin A Laverty  
(74) *Attorney, Agent, or Firm* — Wolf, Greenfield & Sacks, P.C.

(57) **CLAIM**

The ornamental design for a container, as shown and described.

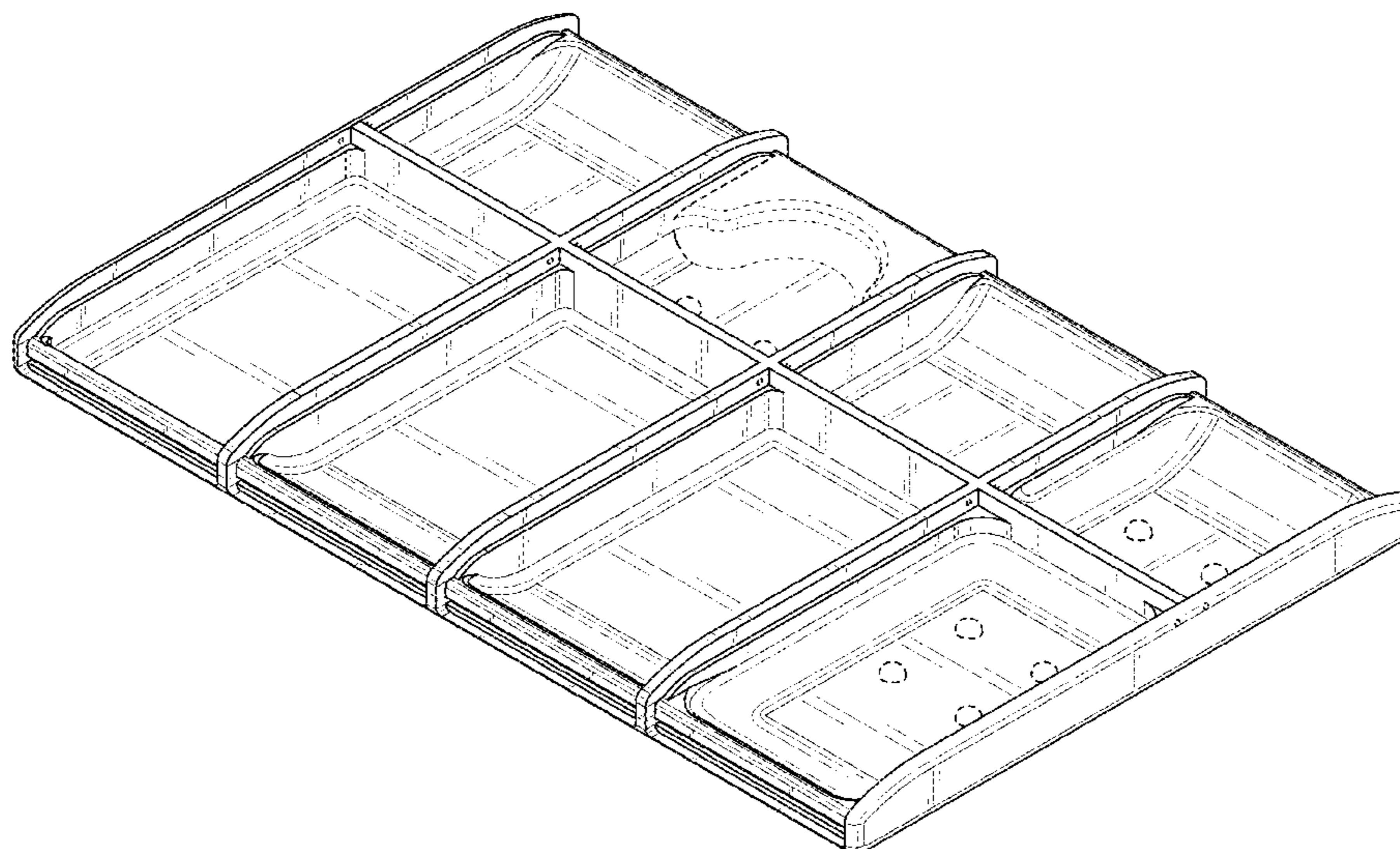
**DESCRIPTION**

FIG. 1 is a top, front, right-side perspective view of a container according to our new design; FIG. 2 is a front elevation view of FIG. 1; FIG. 3 is a rear elevation view of FIG. 1; FIG. 4 is a left-side elevation view of FIG. 1; FIG. 5 is a right-side elevation view of FIG. 1; FIG. 6 is a top plan view of FIG. 1; and, FIG. 7 is a bottom plan view of FIG. 1. The broken lines represent portions of the container that form no part of the claimed design.

**1 Claim, 5 Drawing Sheets**

(56) **References Cited**  
U.S. PATENT DOCUMENTS

D227,552 S \* 7/1973 Bridges ..... D3/203.3  
D399,346 S \* 10/1998 Saari ..... D3/203.5  
D418,288 S \* 1/2000 Priebe ..... D3/201  
D450,455 S \* 11/2001 Dembicks ..... D3/313  
D466,801 S \* 12/2002 Holland ..... D3/203.3  
6,516,950 B1 2/2003 Robertson  
6,648,143 B2 11/2003 Robertson



(56)

**References Cited**

U.S. PATENT DOCUMENTS

D909,744 S \* 2/2021 Guo ..... D3/203.3  
 11,123,263 B2 \* 9/2021 Lee ..... A61J 1/03  
 D939,203 S \* 12/2021 Lee ..... D3/203.2  
 D943,267 S \* 2/2022 Cen ..... D3/203.3  
 D961,908 S \* 8/2022 Ramponi ..... D3/203.6  
 2003/0043026 A1 \* 3/2003 Noble ..... A61J 7/0472  
 340/309.16  
 2003/0205496 A1 \* 11/2003 Howard ..... B65D 83/0445  
 206/538  
 2005/0045519 A1 \* 3/2005 Hirsch ..... A61J 7/0007  
 206/534  
 2006/0086641 A1 \* 4/2006 Priebe ..... B65D 21/0204  
 206/538  
 2008/0202955 A1 \* 8/2008 Kutsch ..... B65D 77/06  
 206/236  
 2021/0094730 A1 \* 4/2021 Ramponi ..... B65D 43/163  
 2021/0128405 A1 \* 5/2021 Lee ..... A61J 7/0084  
 2021/0177698 A1 \* 6/2021 Lee ..... A61J 7/0069

OTHER PUBLICATIONS

Weekly Pill Organizer 2 Times a Day, first available Aug. 30, 2020, amazon.com [online], [site visited Aug. 25, 2021], Available at

internet URL: <https://www.amazon.com/dp/B08GZYCCFY> (Year: 2020).\*

[No Author Listed] Product Listing for Pivit Weekly AM/PM Pill Box, Portable Travel Pill Organizer. Walmart. <https://www.walmart.com/ip/Organizer-Liver-Large-Vitamins-Design-Weekly-Compartments-Medication-Moisture-Proof-Cod-Pack-Oil-Supplements-Pivit-Portable-Travel-2-AM-PM-Pill-7-Day/780483750>. Publicly available at least as early as Sep. 27, 2019, 8 pages.

[No Author Listed] Product Listing for Portable 7 Days Pill Box Travel Pill Organizer With Pill Splitter Cutter. Goodgreats.com. <https://goodsgreats.com/products/portable-7-days-pill-box-travel-pill-organizer-with-pill-splitter-cutter//1>. Publicly available at least as early as Sep. 27, 2019, 1 page.

U.S. Appl. No. 29/728,958, filed Mar. 23, 2020, Ramponi et al.

[No Author Listed] Fulfill Container. <https://fulfillcontainer.com>, 8 pages.

[No Author Listed] Product Listing for Moat RFID Credit Card Holder Sleek Modern Aluminum Minimalist Wallet. MOAT. <https://www.amazon.com/MOAT-Aluminium-Minimalist-Protecting-travelling/dp/B07KGB5K3Z>, 5 pages.

\* cited by examiner

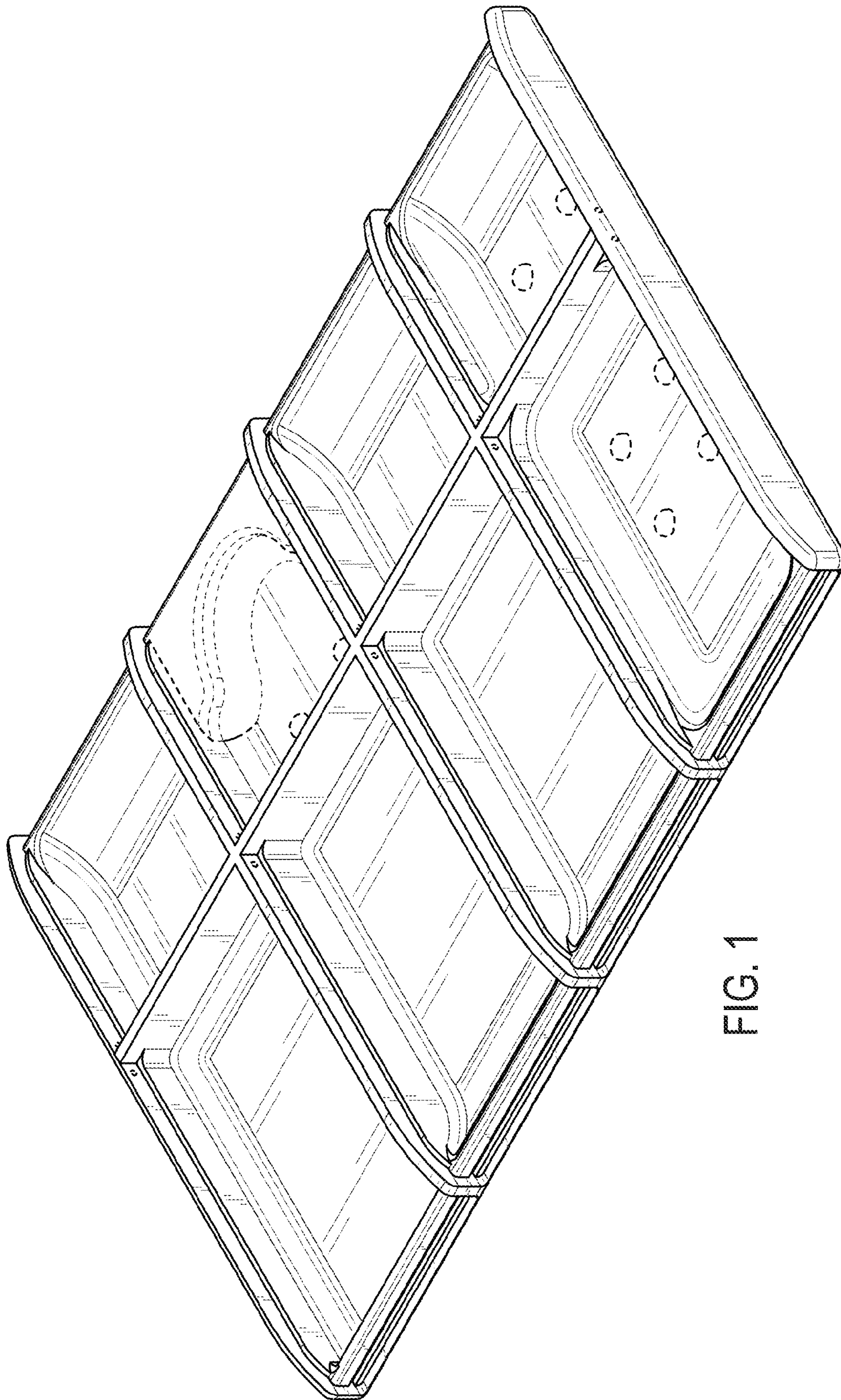


FIG. 1

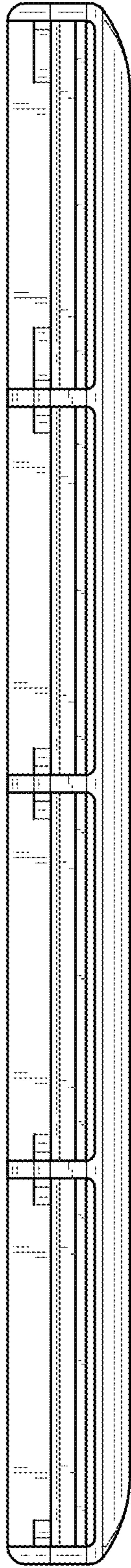


FIG. 2

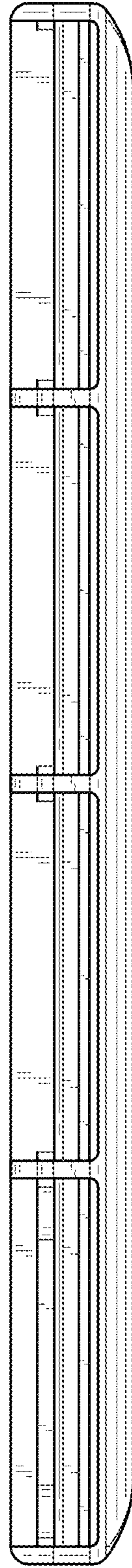


FIG. 3

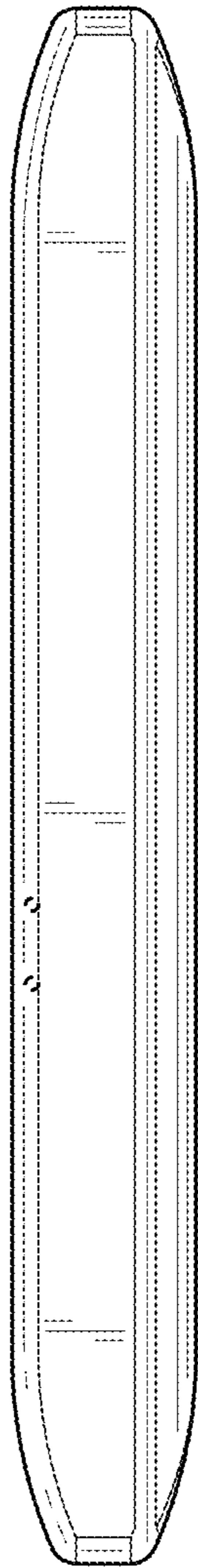


FIG. 4

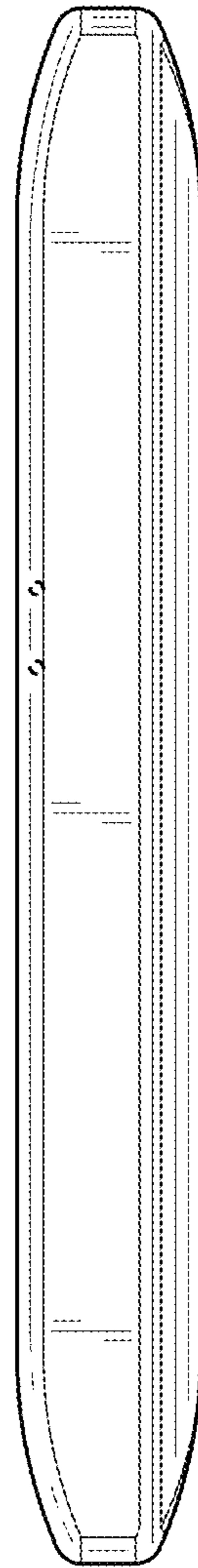


FIG. 5

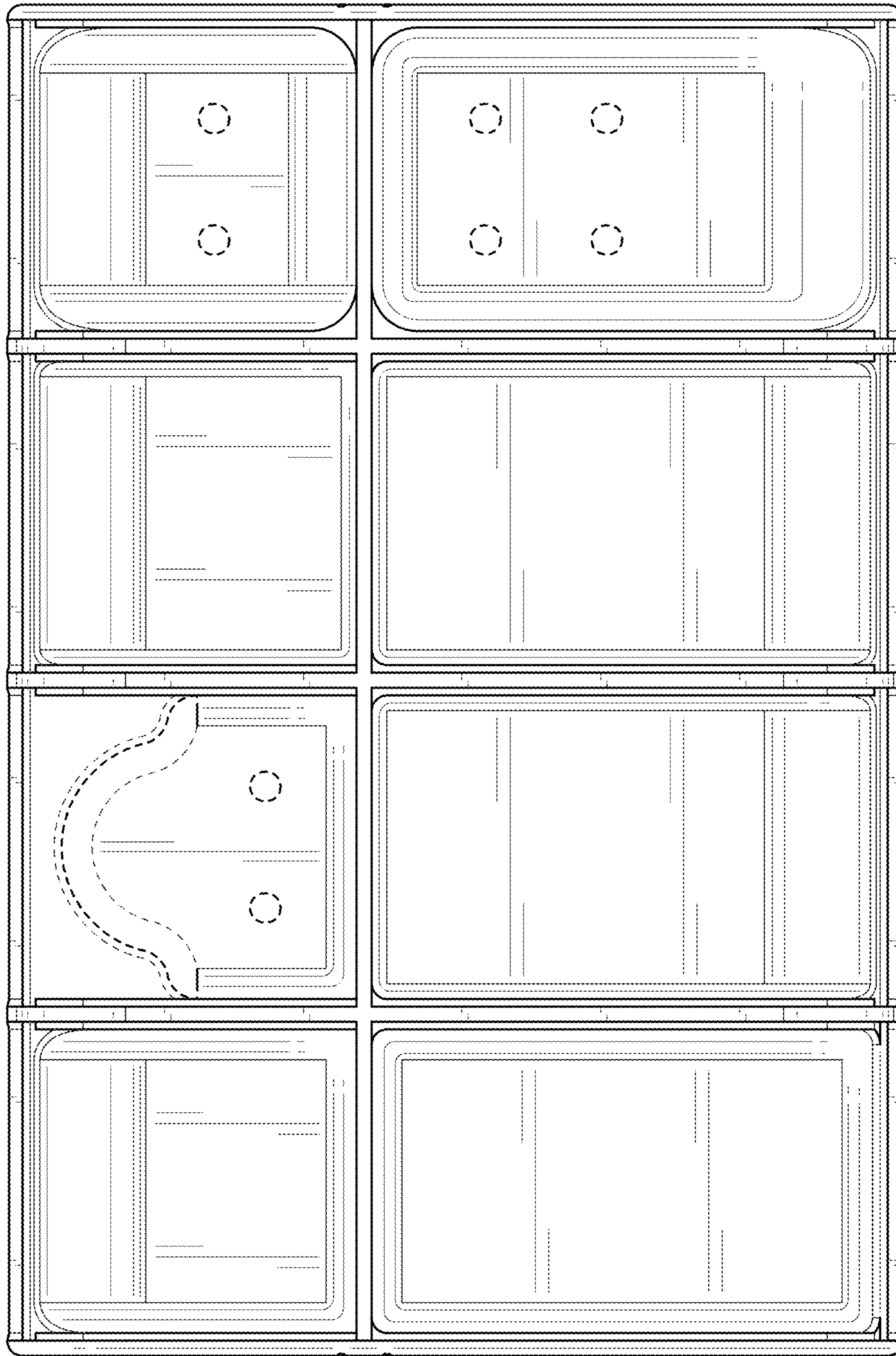


FIG. 6

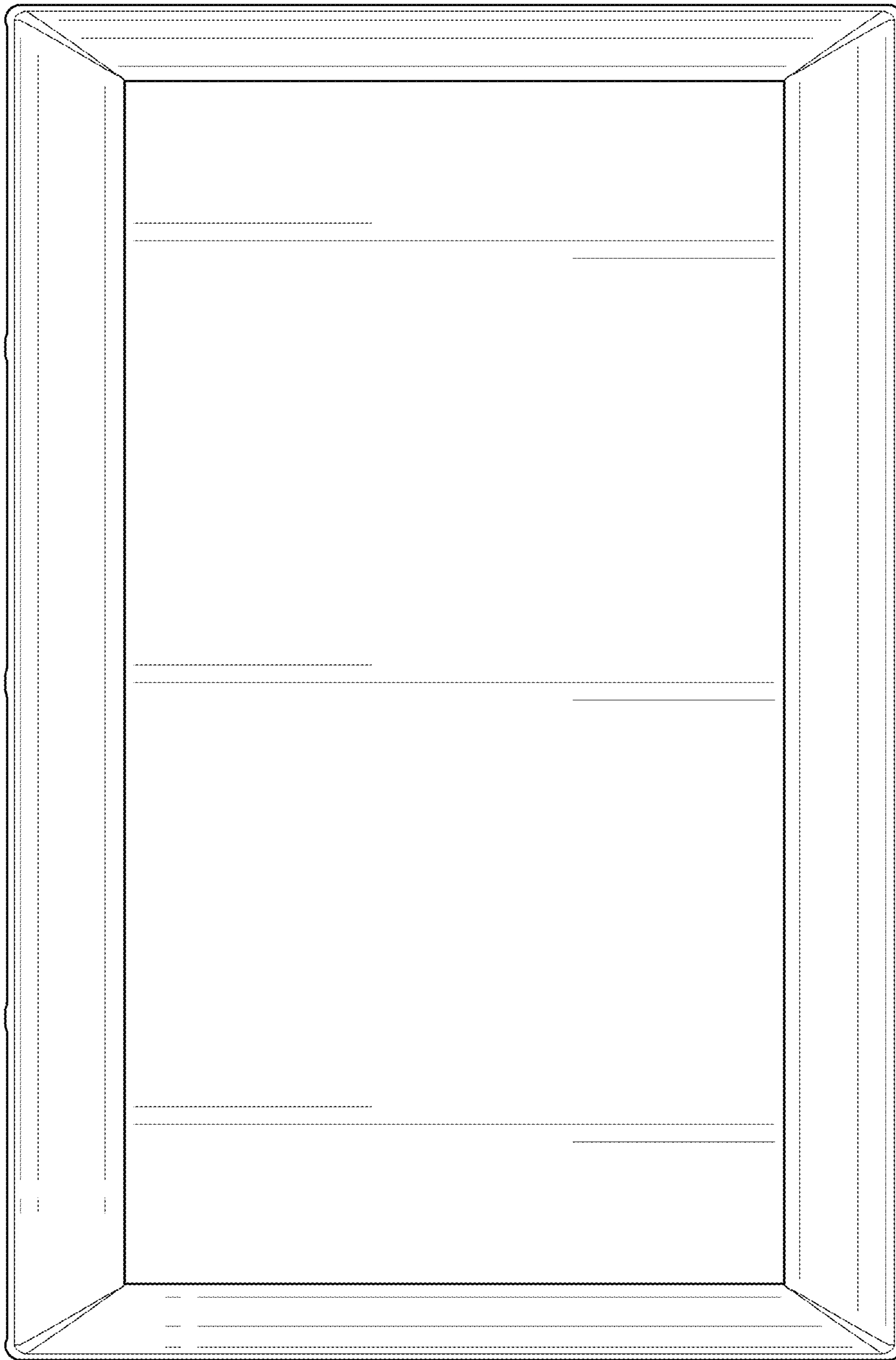


FIG. 7