



US00D978521S

(12) **United States Design Patent** (10) **Patent No.:** **US D978,521 S**  
**Kang et al.** (45) **Date of Patent:** **\*\* Feb. 21, 2023**

(54) **SHOE CARE DEVICE**

D466,294 S \* 12/2002 Ekerot ..... D3/273  
D839,595 S \* 2/2019 Asher ..... D3/295  
D864,568 S \* 10/2019 Roberts ..... A47L 23/16  
D3/294

(71) Applicant: **LG ELECTRONICS INC.**, Seoul (KR)

\* cited by examiner

(72) Inventors: **Seokkyu Kang**, Seoul (KR); **Heesu Yang**, Seoul (KR); **Suyoung Lee**, Seoul (KR); **Kyoungju Ryu**, Seoul (KR); **Jayoen Kim**, Seoul (KR); **Hwayun Choi**, Seoul (KR)

*Primary Examiner* — Kevin K Rudzinski  
*Assistant Examiner* — Amber J Rabie  
(74) *Attorney, Agent, or Firm* — Birch, Stewart, Kolasch & Birch, LLP

(73) Assignee: **LG ELECTRONICS INC.**, Seoul (KR)

(57) **CLAIM**

We claim the ornamental design for a shoe care device, as shown and described.

(\*\*) Term: **15 Years**

**DESCRIPTION**

(21) Appl. No.: **29/741,189**

(22) Filed: **Jul. 10, 2020**

(30) **Foreign Application Priority Data**

Jan. 14, 2020 (KR) ..... 30-2020-0001716

(51) **LOC (14) Cl.** ..... **03-01**

(52) **U.S. Cl.**  
USPC ..... **D3/200**

(58) **Field of Classification Search**  
USPC ..... D3/200, 201, 273, 274, 294, 301, 302, D3/317

CPC ..... A47L 23/20; A47L 23/205  
See application file for complete search history.

FIG. 1 is a perspective view of a shoe care device showing the new design;  
FIG. 2 is a front elevation view thereof;  
FIG. 3 is a rear elevation view thereof;  
FIG. 4 is a left side elevation view thereof;  
FIG. 5 is a right side elevation view thereof;  
FIG. 6 is a top plan view thereof;  
FIG. 7 is a bottom plan view thereof;  
FIG. 8 is a perspective view of a shoe care device showing a state of the upper door opened;  
FIG. 9 is a front elevation view thereof;  
FIG. 10 is a rear elevation view thereof;  
FIG. 11 is a left side elevation view thereof;  
FIG. 12 is a right side elevation view thereof;  
FIG. 13 is a top plan view thereof;  
FIG. 14 is a bottom plan view thereof; and,  
FIG. 15 is a perspective view showing a state of the insert separated from the main body.

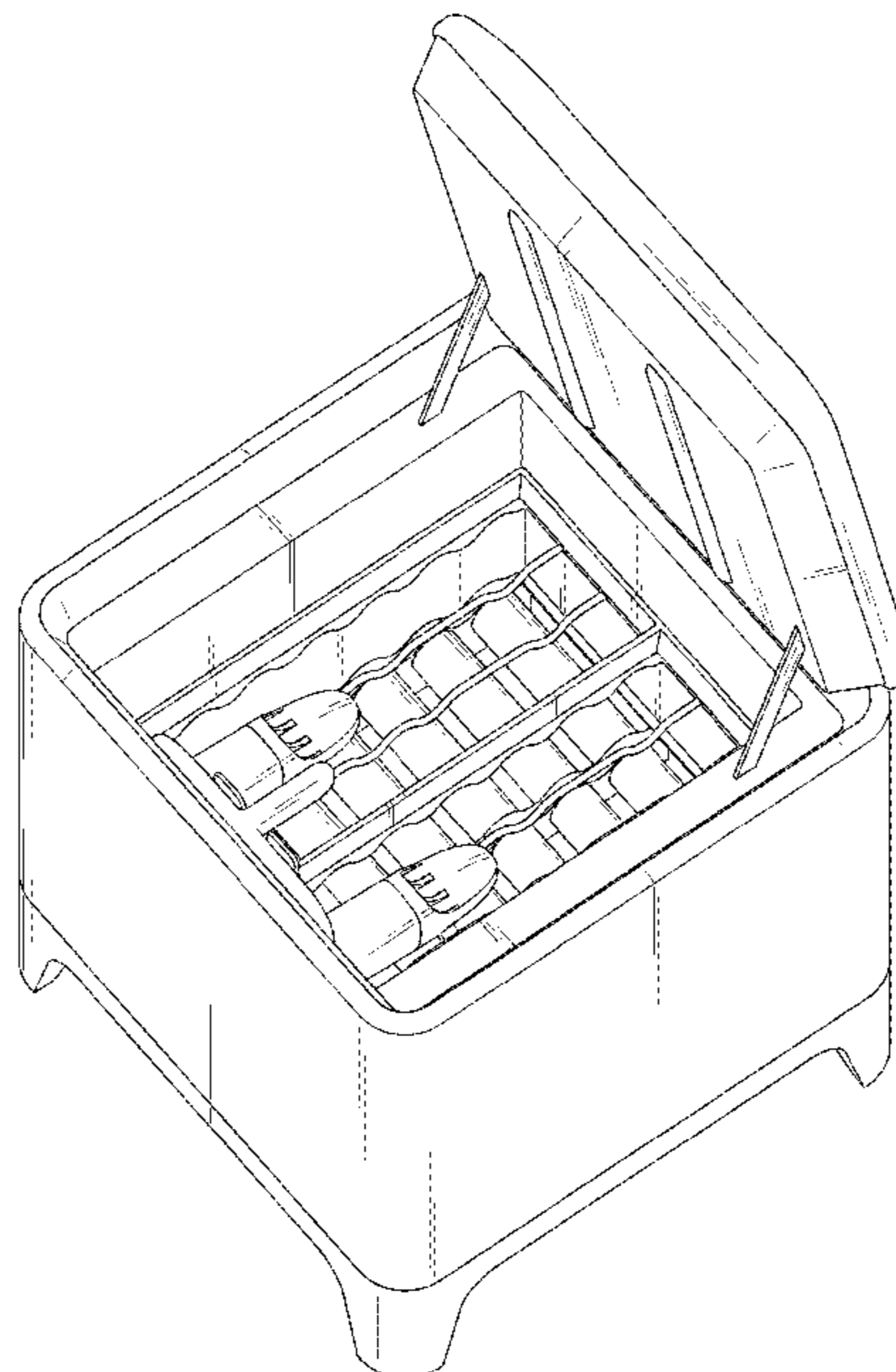
The broken lines shown in FIGS. 3 and 10 depict portions of the shoe care device that form no part of the claimed design.

(56) **References Cited**

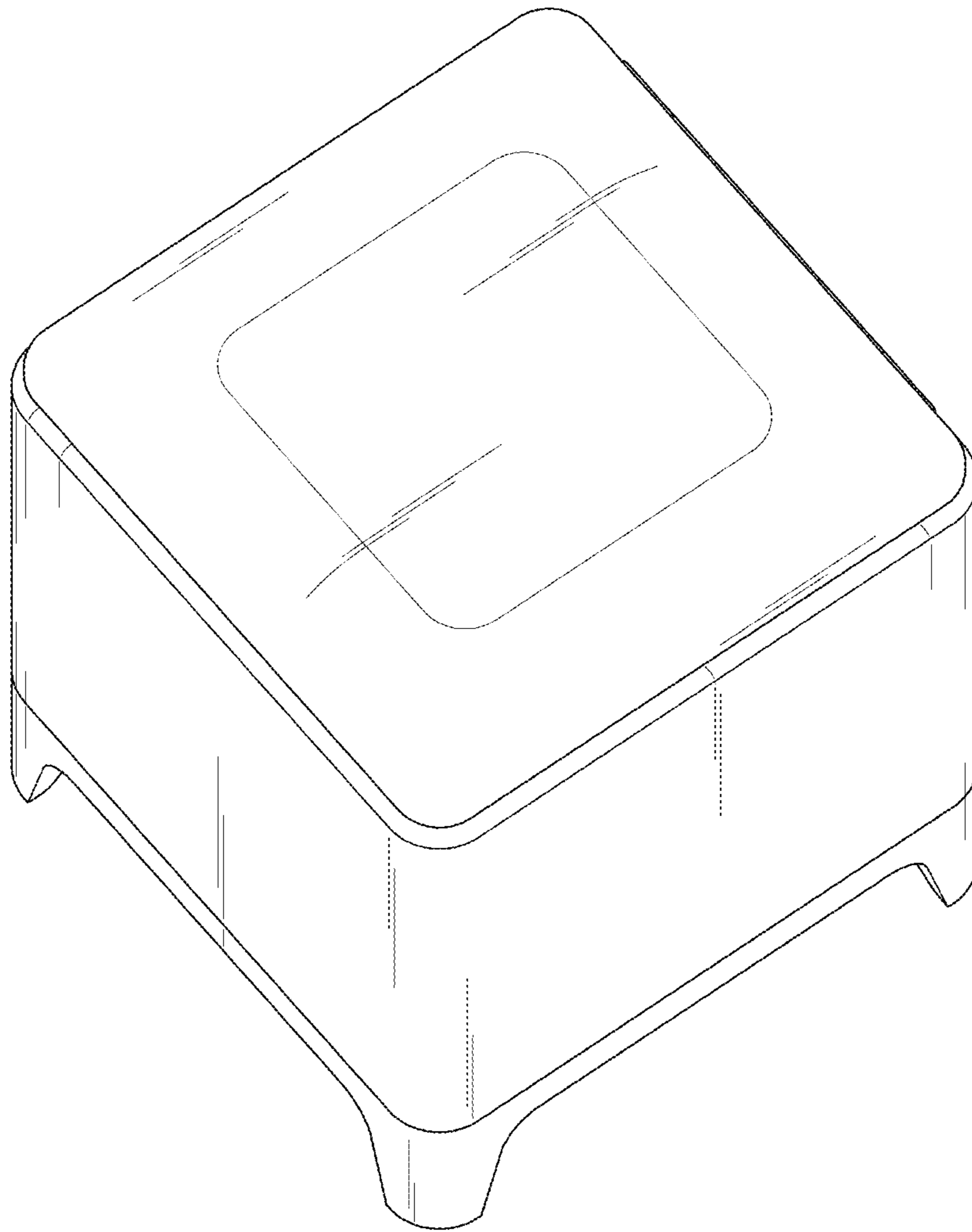
**U.S. PATENT DOCUMENTS**

1,920,171 A \* 8/1933 Gerstner ..... A47L 23/16  
D3/200  
D263,896 S \* 4/1982 Glasgow ..... D3/275  
D306,973 S \* 4/1990 Kaplan ..... D3/294

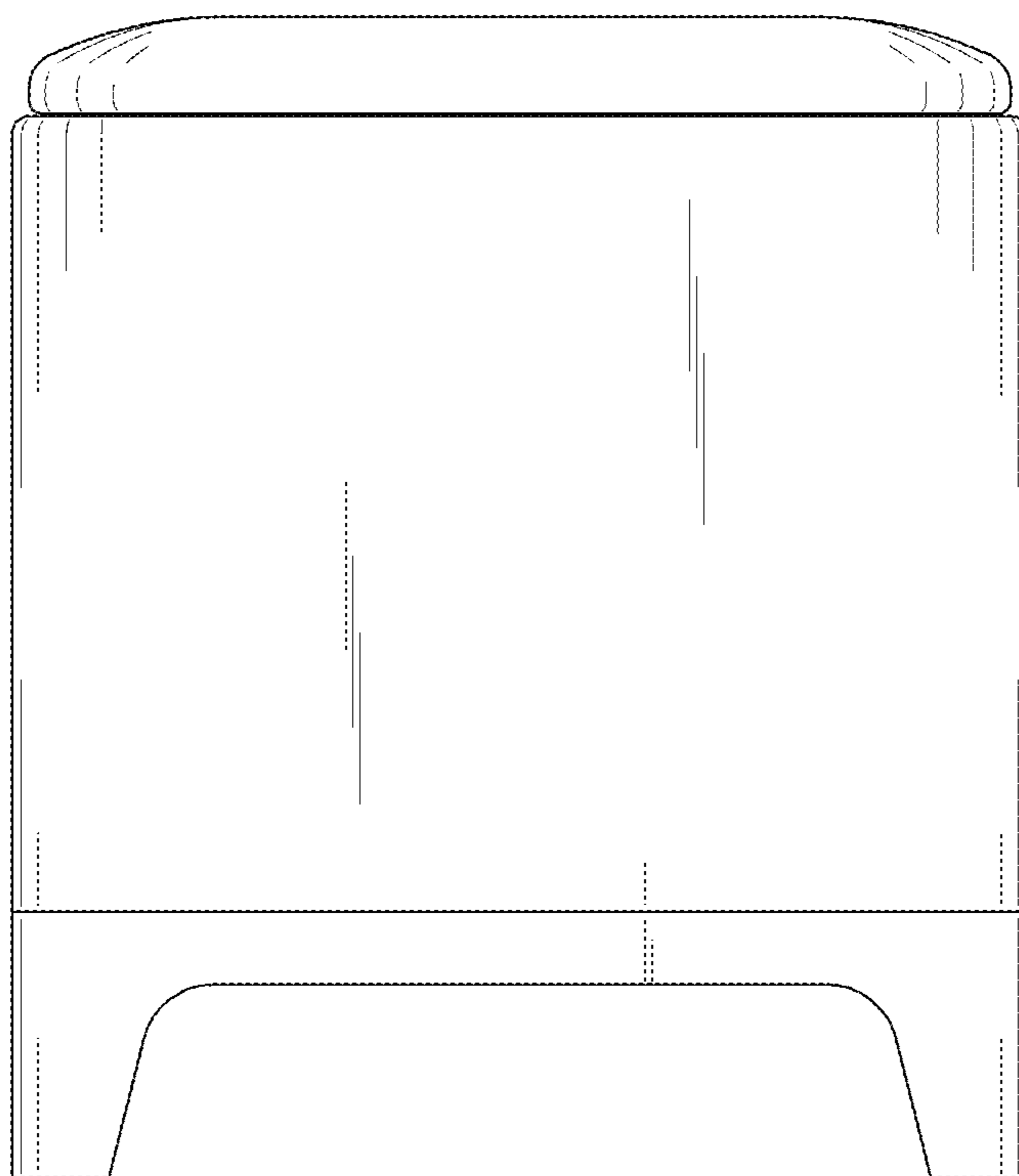
**1 Claim, 15 Drawing Sheets**



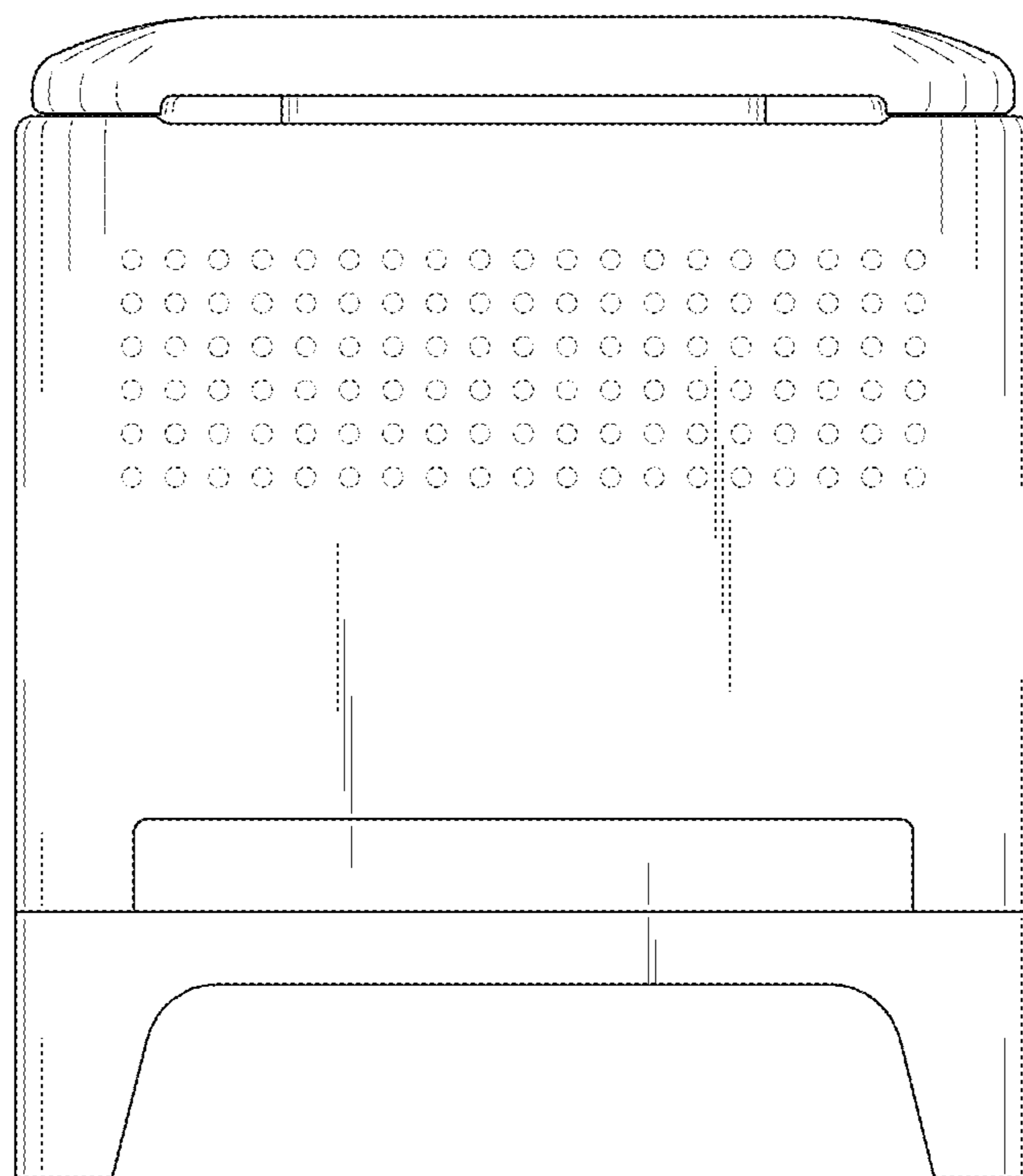
*FIG. 1*



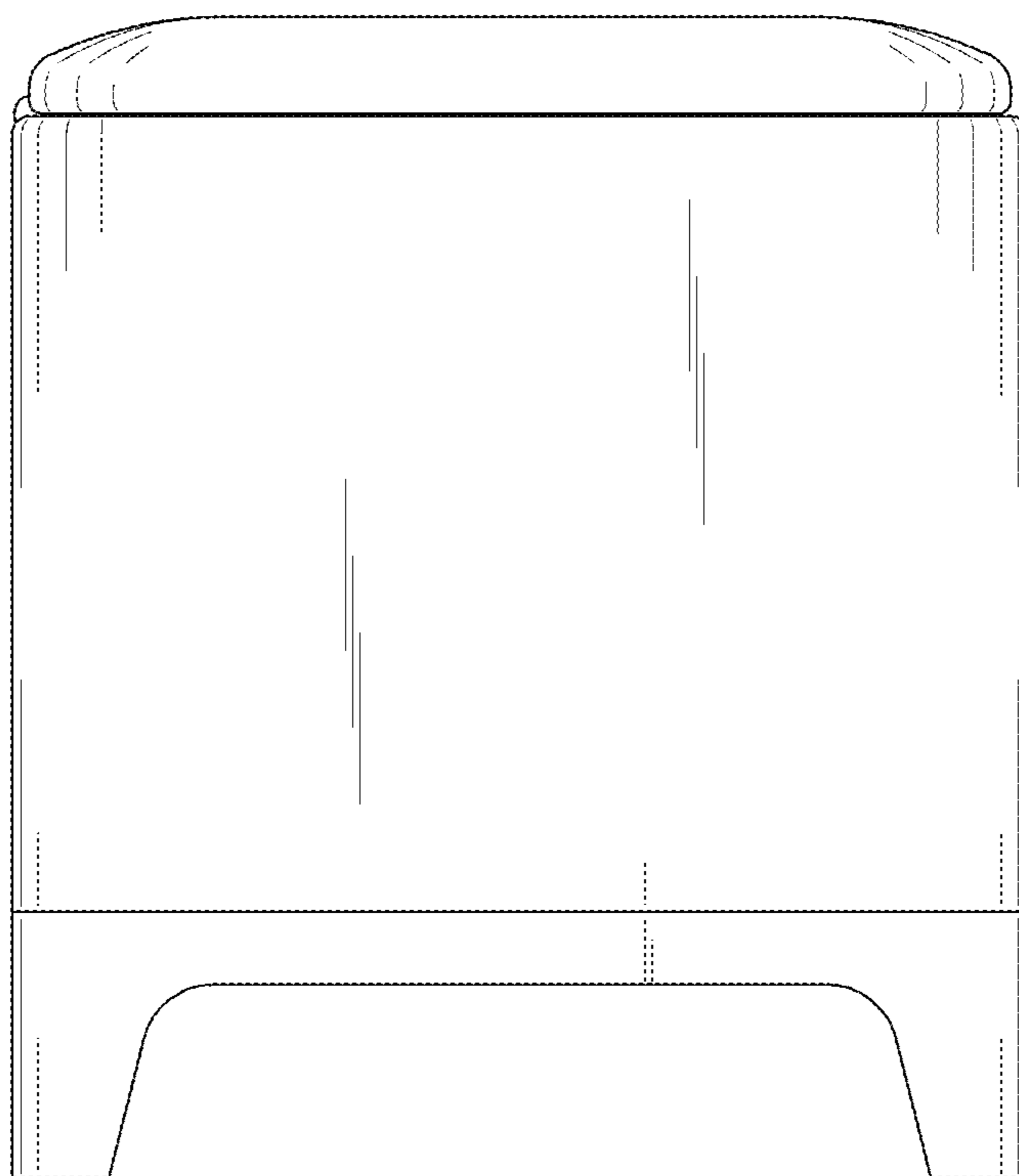
*FIG. 2*



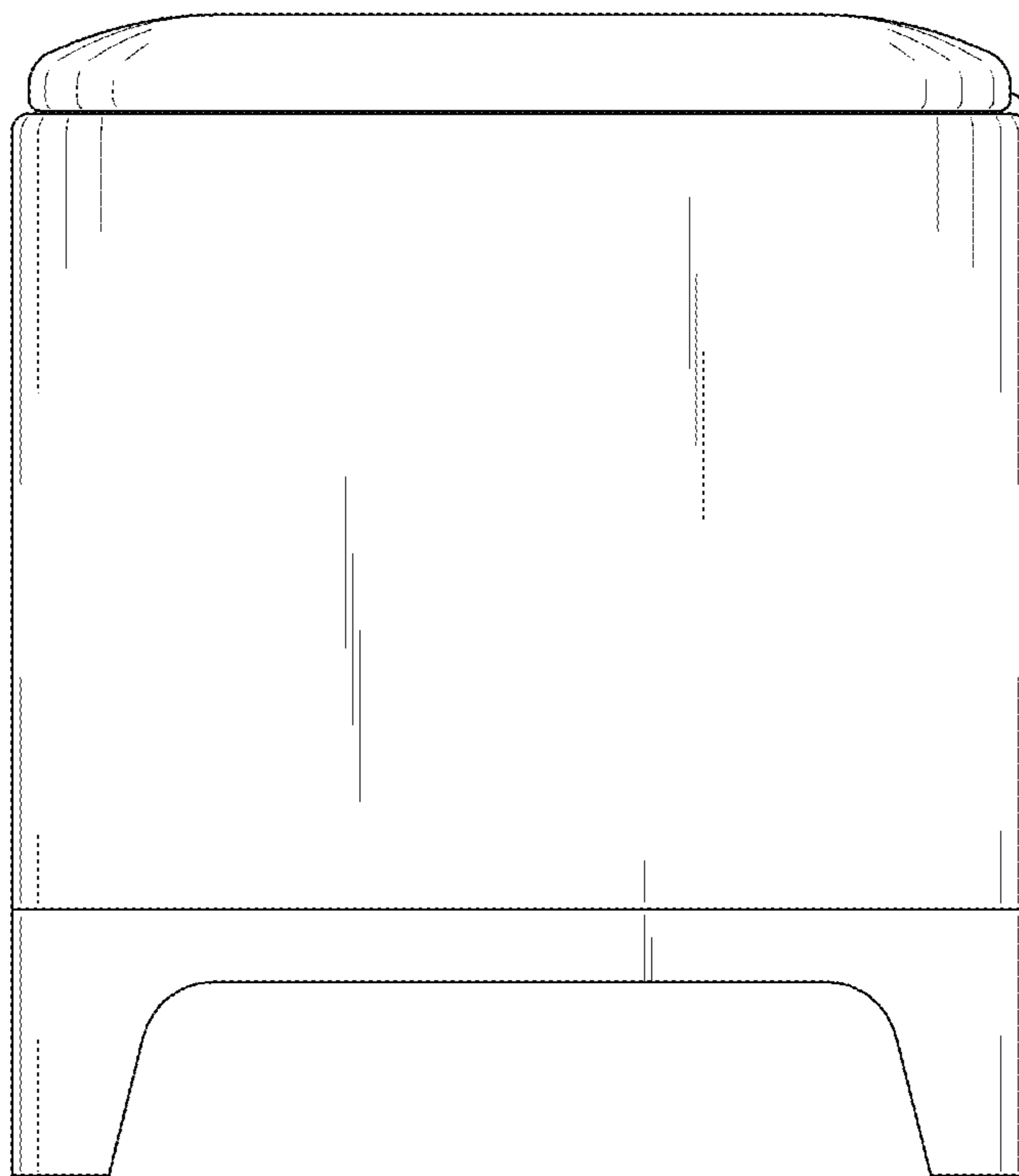
*FIG. 3*



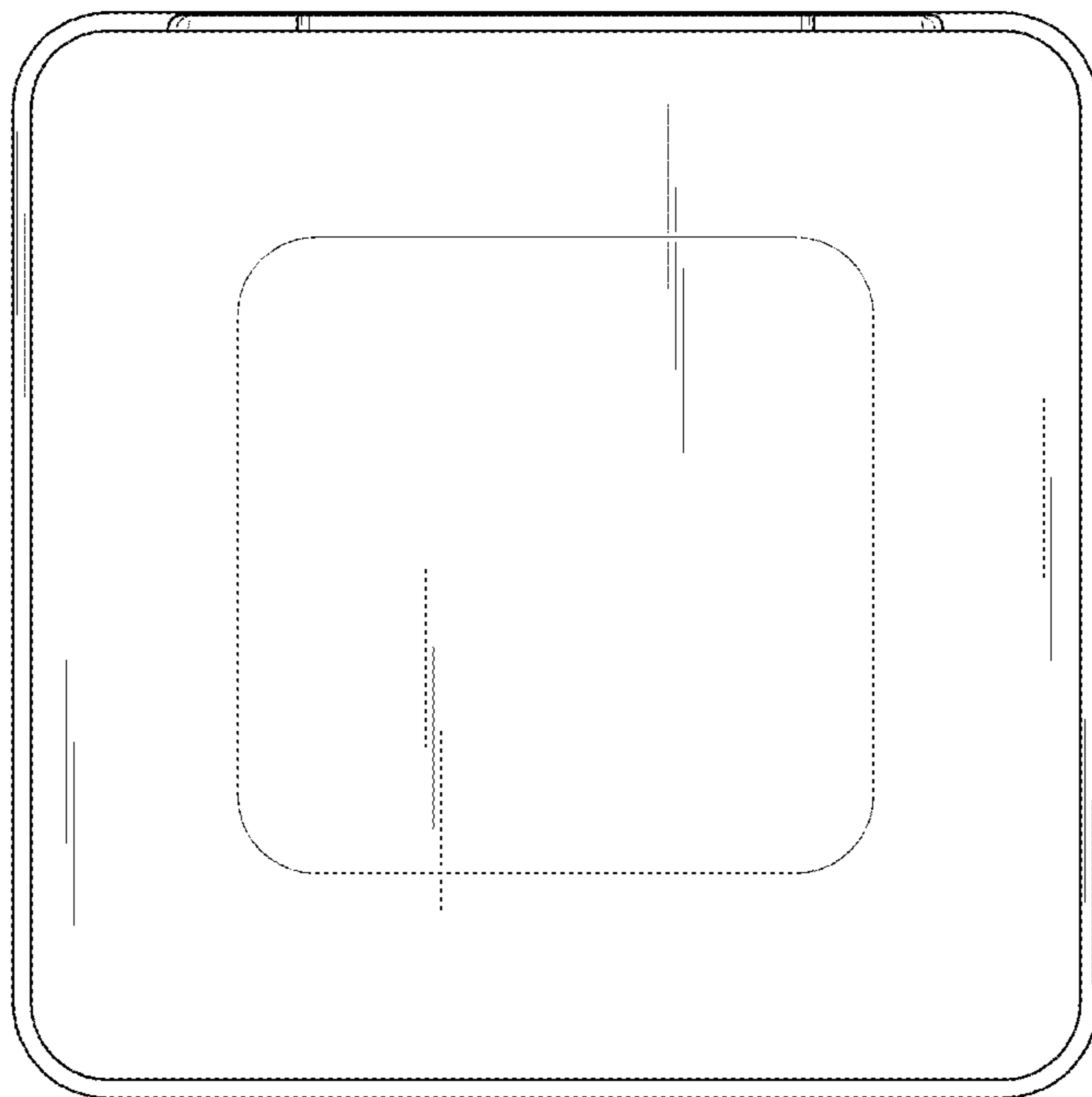
*FIG. 4*



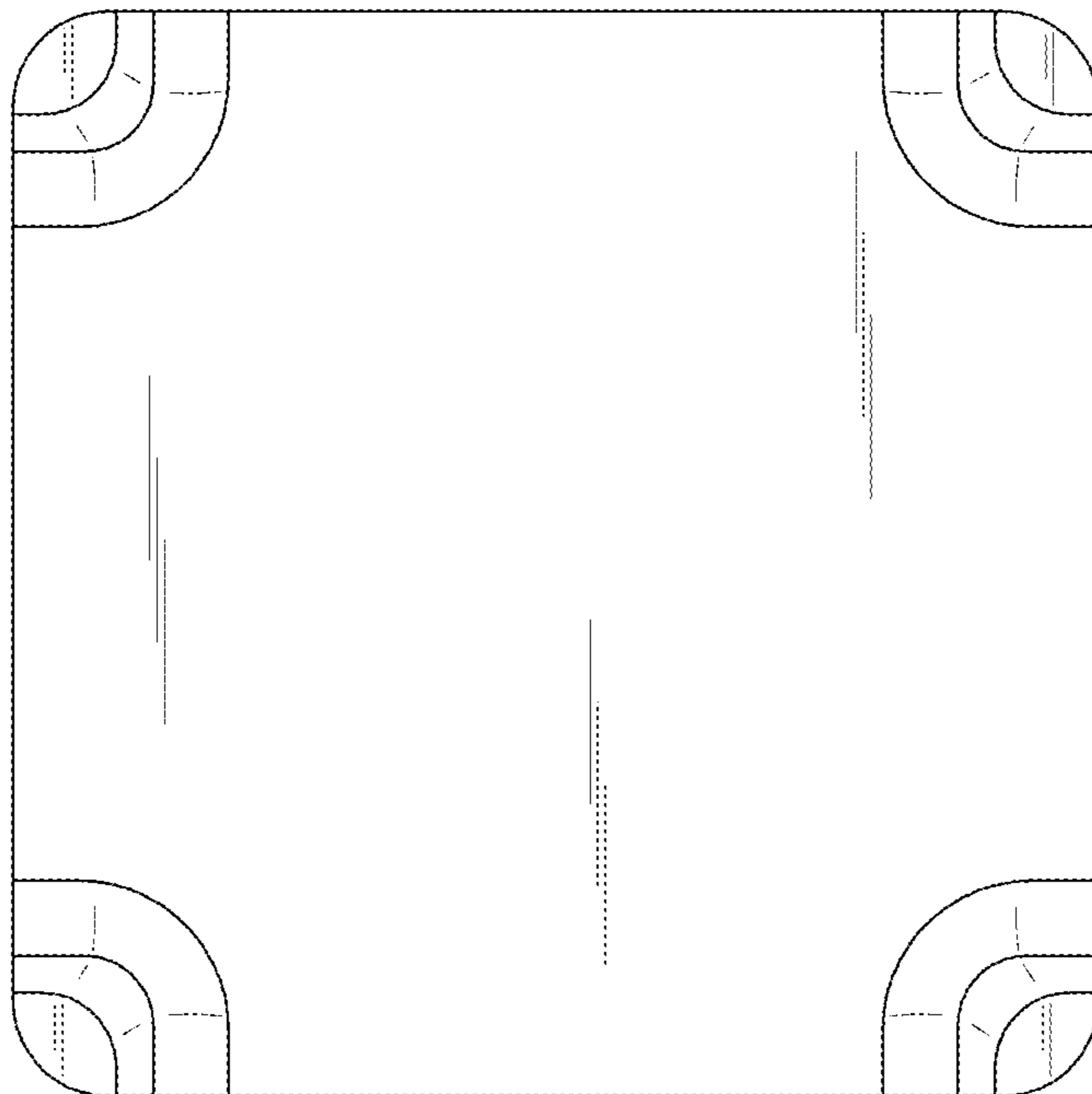
*FIG. 5*



*FIG. 6*

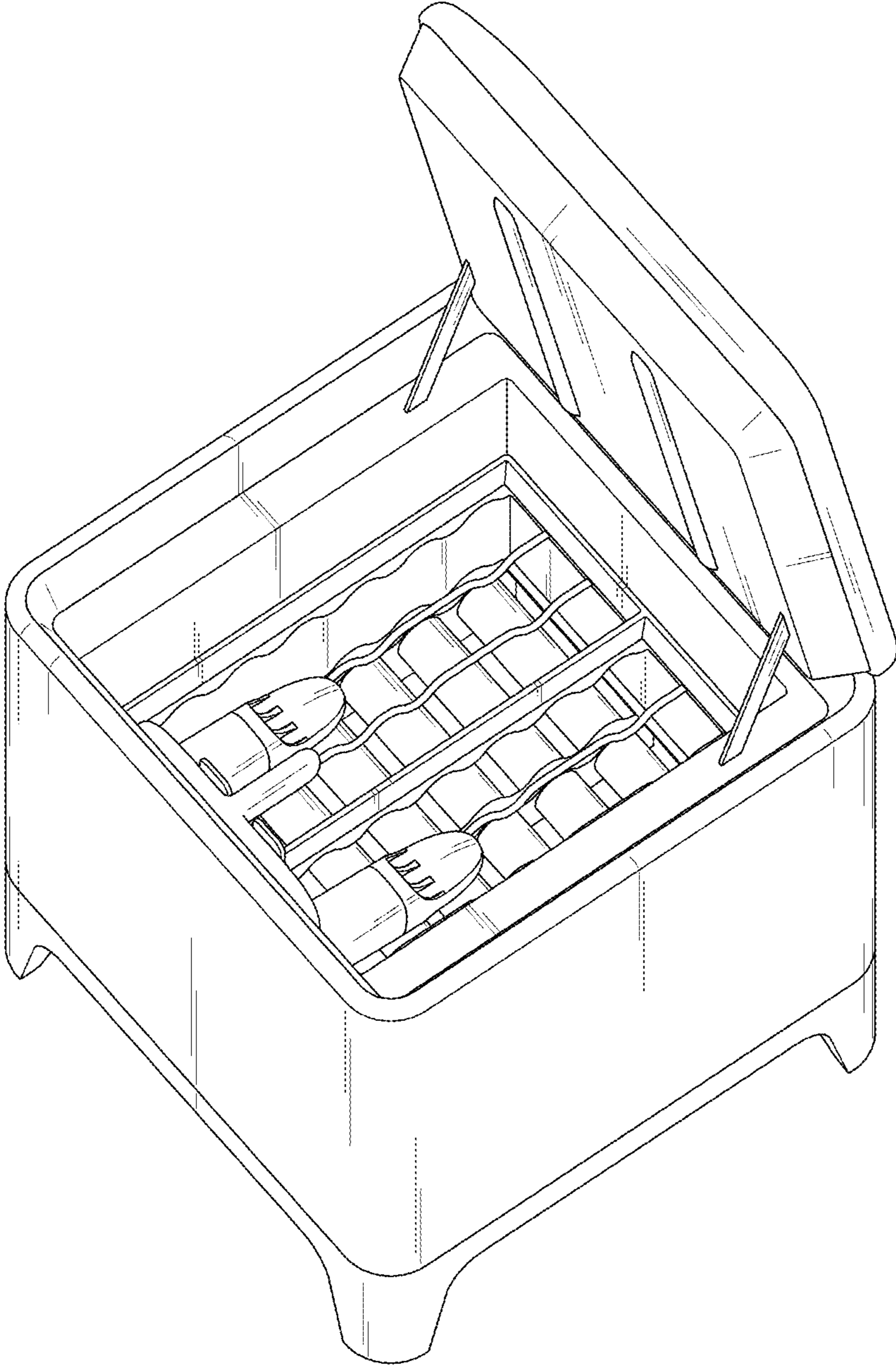


*FIG. 7*

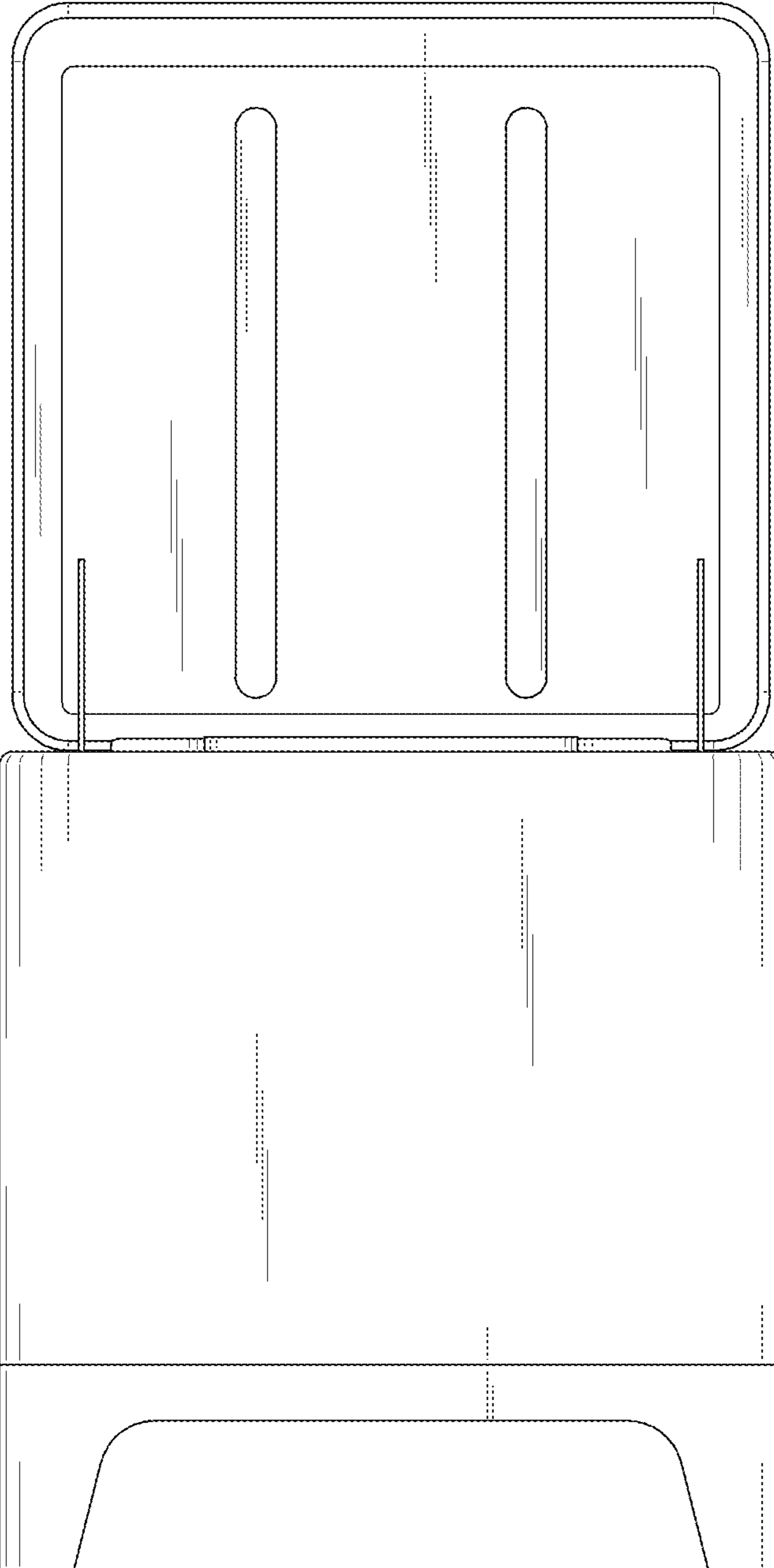




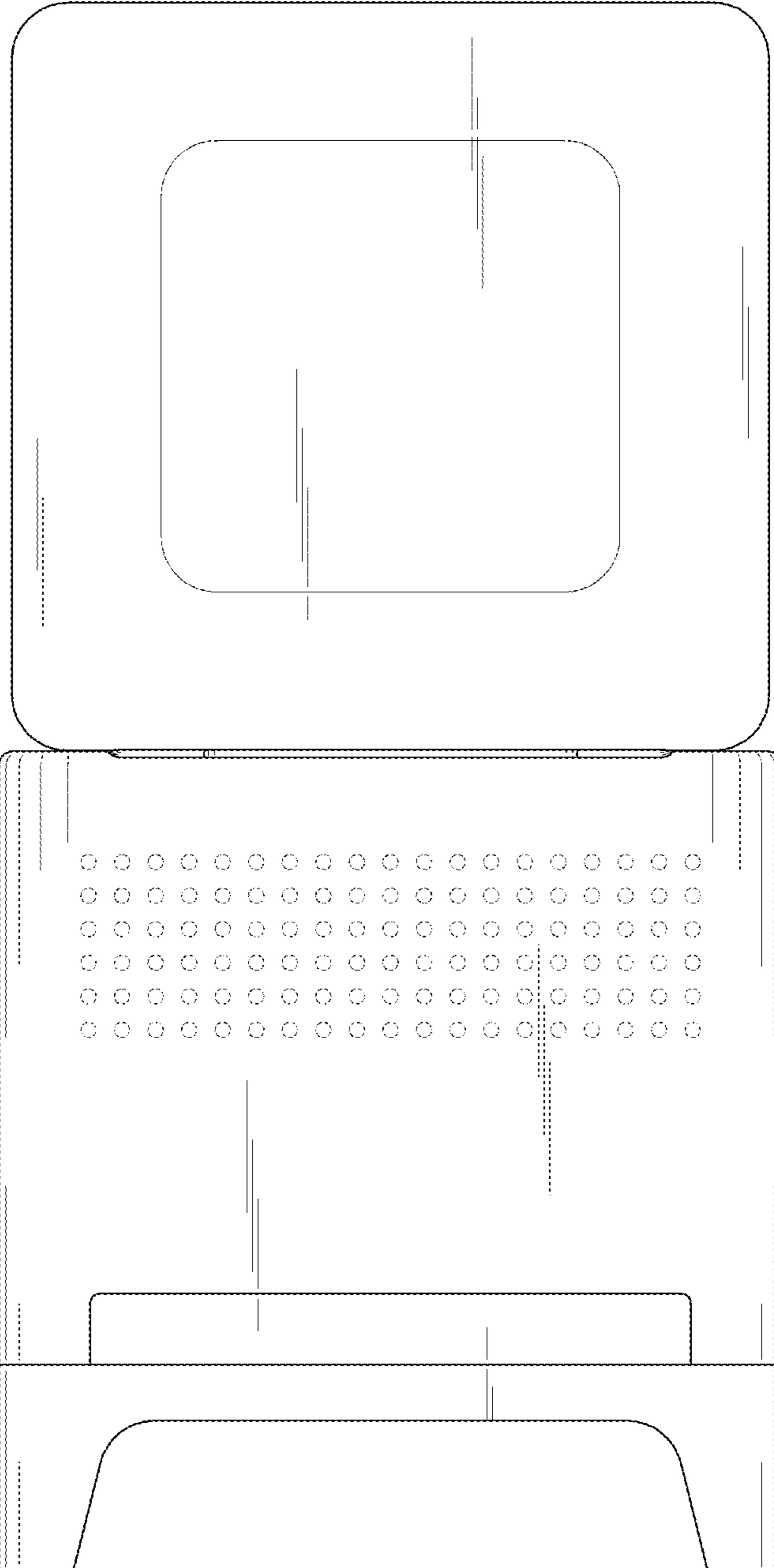
*FIG. 8*



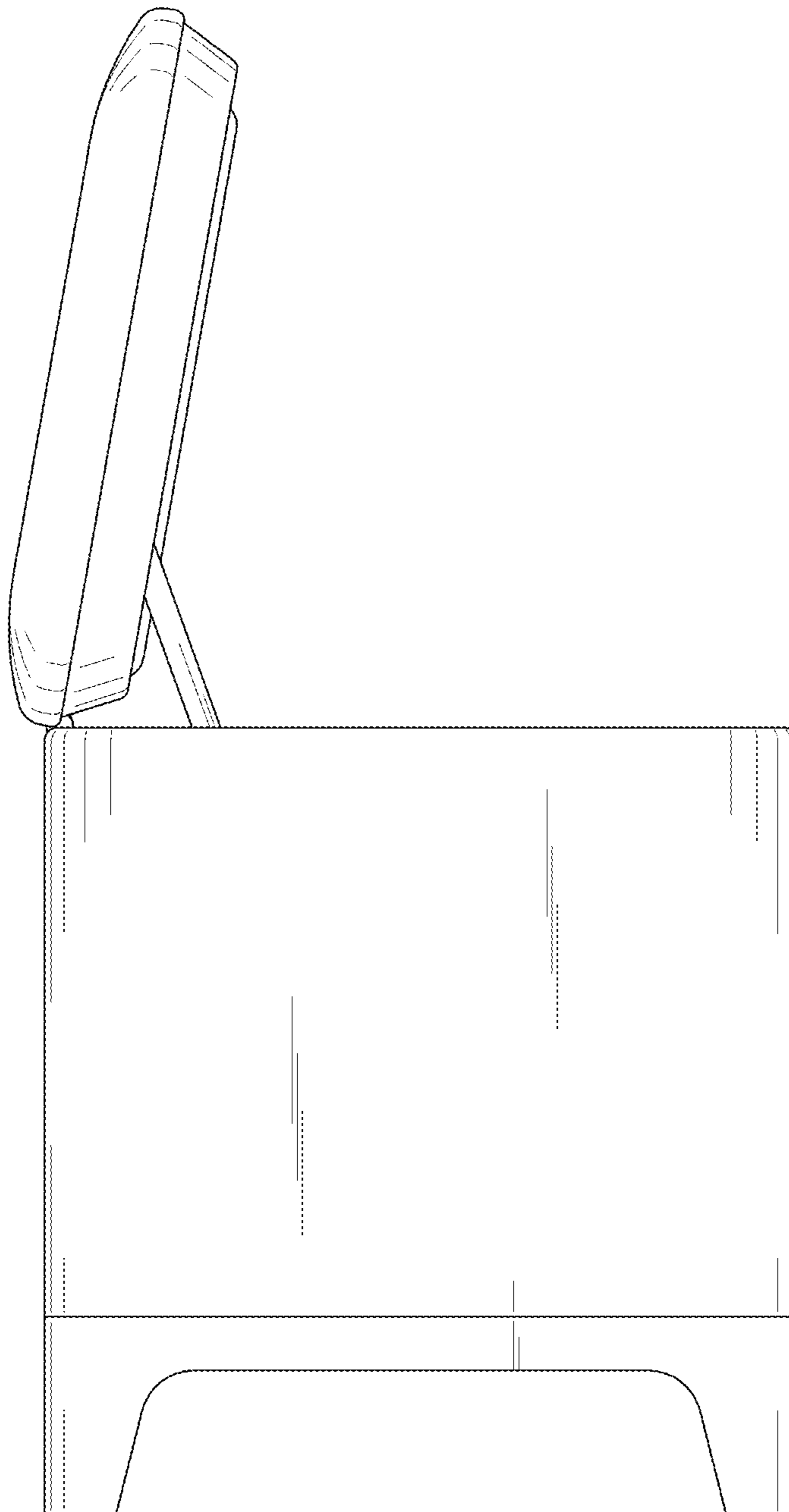
*FIG. 9*



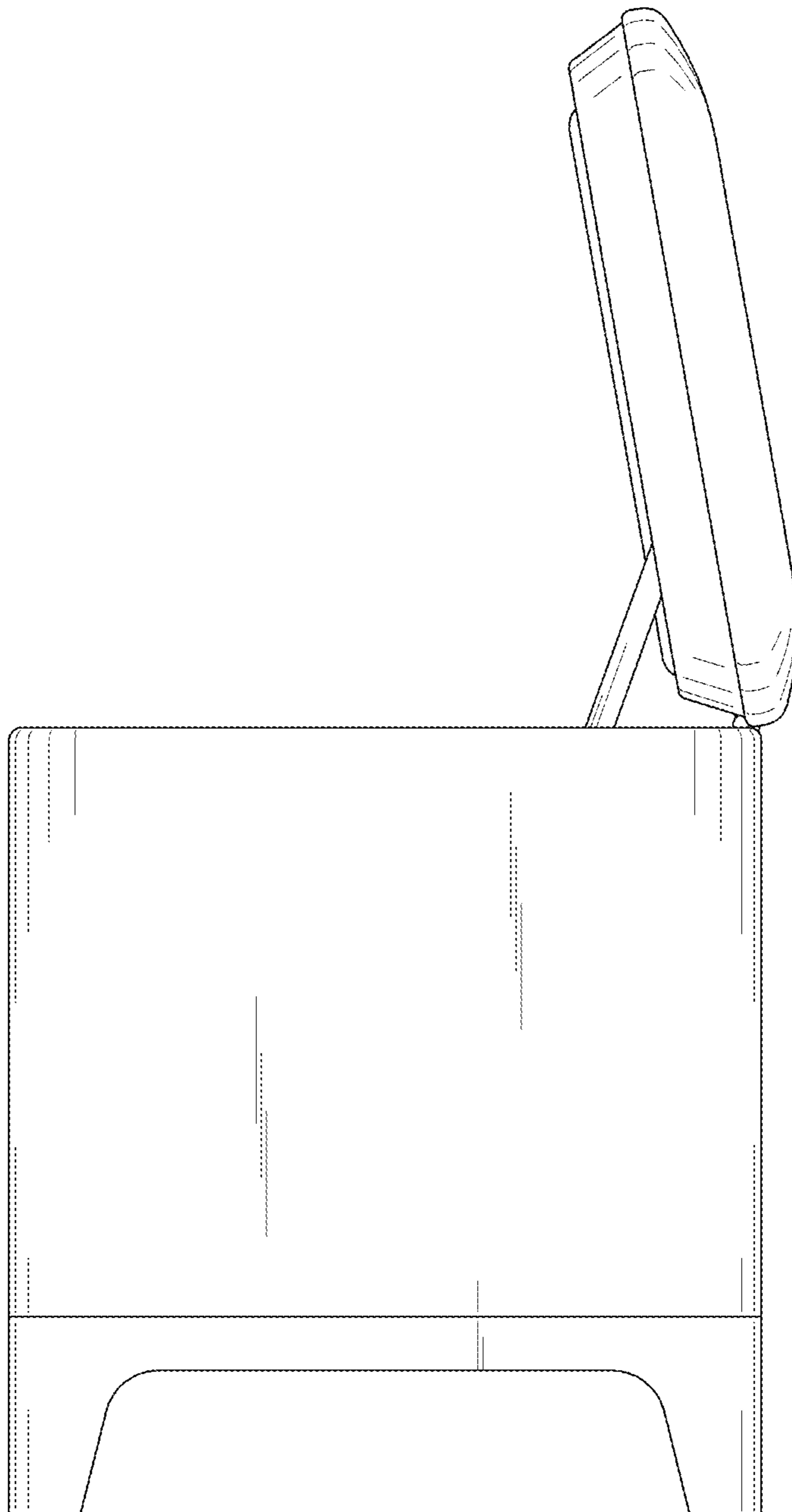
*FIG. 10*



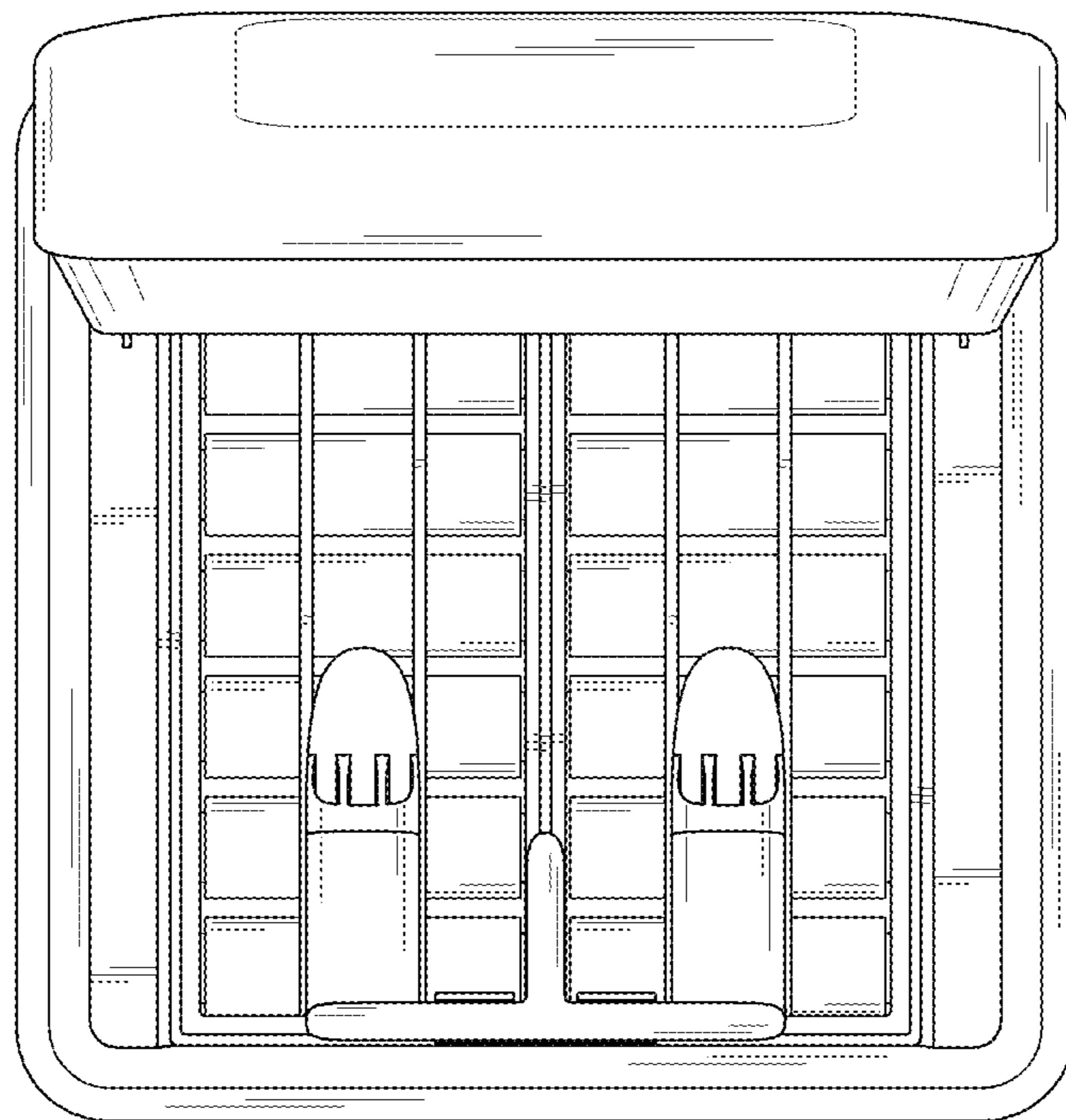
*FIG. 11*



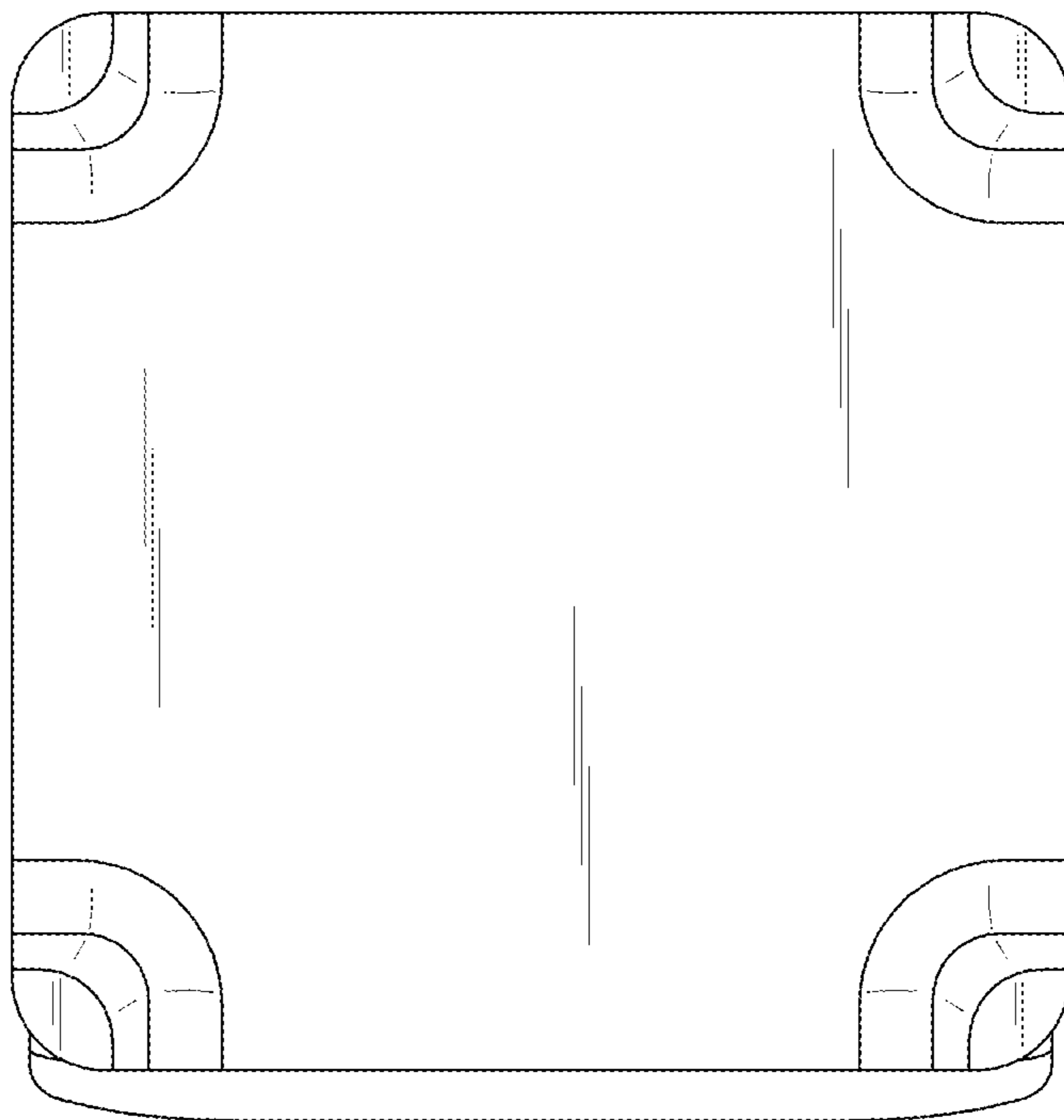
*FIG. 12*



*FIG. 13*



*FIG. 14*



*FIG. 15*

