



US00D978519S

(12) **United States Design Patent**  
**Gershwin**

(10) **Patent No.:** **US D978,519 S**

(45) **Date of Patent:** **\*\* Feb. 21, 2023**

- (54) **CRUTCH SLEEVE**
- (71) Applicant: **Orthoglam Inc.**, Beverly Hills, CA  
(US)
- (72) Inventor: **Nancy Gershwin**, Beverly Hills, CA  
(US)
- (\*\*) Term: **15 Years**
- (21) Appl. No.: **29/713,138**
- (22) Filed: **Nov. 14, 2019**
- (51) **LOC (14) Cl.** ..... **03-03**
- (52) **U.S. Cl.**  
USPC ..... **D3/10**
- (58) **Field of Classification Search**  
USPC ..... D3/5, 6, 7, 8, 9, 10, 11, 318, 321, 201;  
D7/601, 605, 607, 608; D9/702, 711;  
D12/133; D24/188, 189, 190  
CPC ..... B65D 81/389; B65D 85/78; A45F 3/20;  
A45F 2200/0566; A45B 3/00; A45B 1/00;  
A45B 9/00; A45B 2009/002; A45B  
2009/005; A61H 3/02  
See application file for complete search history.

(56) **References Cited**

U.S. PATENT DOCUMENTS

- 2,831,948 A \* 4/1958 Fraser ..... H02B 1/048  
200/295
- D286,650 S \* 11/1986 Fischer ..... 401/6
- 5,050,884 A \* 9/1991 Flory ..... A63B 60/64  
473/282
- 5,331,988 A \* 7/1994 Harmon ..... A45B 9/00  
135/65
- 5,348,360 A \* 9/1994 Mencarelli ..... B25G 1/01  
16/421
- 5,401,345 A \* 3/1995 Park ..... A01K 87/002  
156/172
- D381,805 S \* 8/1997 Case ..... D3/229
- D404,559 S \* 1/1999 Wiley ..... D3/10

- 6,019,533 A \* 2/2000 Smith ..... B43K 23/008  
15/443
- D424,775 S \* 5/2000 Rabinowitz ..... D34/27
- 6,296,409 B1 \* 10/2001 Cherry ..... B43K 23/004  
16/430
- D464,875 S \* 10/2002 Koppang ..... D9/711
- D532,972 S \* 12/2006 Dixon ..... D3/318
- D572,899 S \* 7/2008 Berry ..... D3/10
- 7,448,299 B1 \* 11/2008 Chen ..... B25D 1/14  
81/22
- D595,501 S \* 7/2009 Sawada ..... D3/11
- D623,394 S \* 9/2010 Pressley ..... D3/10

(Continued)

Primary Examiner — Steven J Czyz

(74) *Attorney, Agent, or Firm* — Phil IP Law Inc.; Narek Zohrabyan; Karen Kirk Galoyan

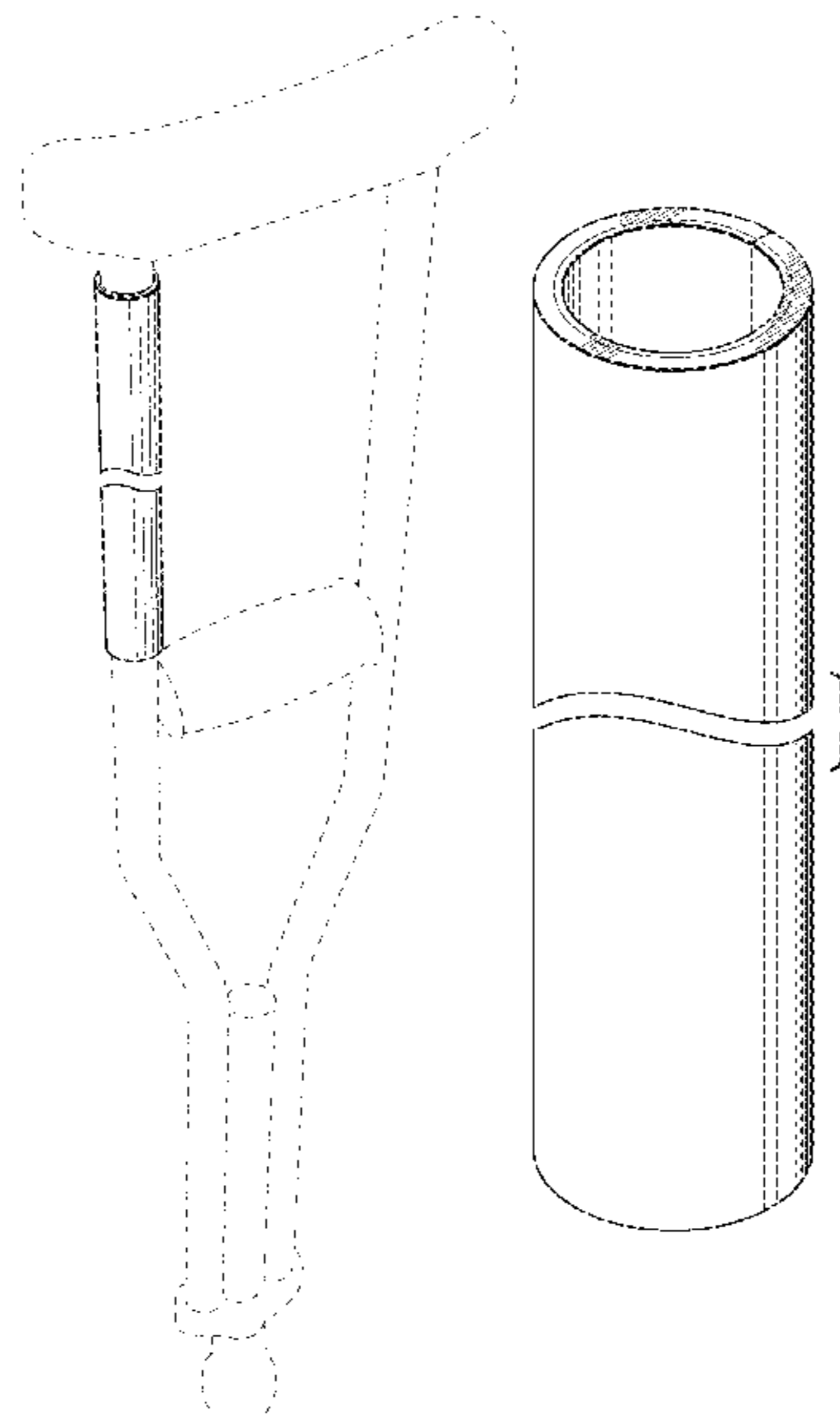
(57) **CLAIM**

The ornamental design for a crutch sleeve, as shown and described.

**DESCRIPTION**

FIG. 1 is a perspective view of a crutch sleeve installed on a crutch;  
 FIG. 2 is a perspective view of the crutch sleeve;  
 FIG. 3 is a front elevation view of the crutch sleeve;  
 FIG. 4 is a rear elevation view of the crutch sleeve;  
 FIG. 5 is a left side elevation view of the crutch sleeve, with the right side elevation view being a mirror image thereof; and,  
 FIG. 6 is a top plan view of the crutch sleeve, with the bottom plan view being a mirror image thereof.  
 The broken lines depict environment that forms no part of the claimed design.  
 The crutch sleeve is shown with a symbolic break in its length using wavy solid lines. The appearance of any portion of the article between the break lines forms no part of the claimed design. Furthermore, the actual solid wavy lines also do not encompass components of the claimed design.

**1 Claim, 2 Drawing Sheets**



(56)

References Cited

U.S. PATENT DOCUMENTS

D628,752 S \* 12/2010 Lewis ..... D29/120.1  
 D640,013 S \* 6/2011 Lewis ..... D29/120.1  
 D650,167 S \* 12/2011 Goldwasser ..... D3/10  
 D671,736 S \* 12/2012 Auer ..... D3/10  
 D673,359 S \* 1/2013 Goldwasser ..... D3/10  
 D679,554 S \* 4/2013 Molz ..... D7/624.2  
 D697,826 S \* 1/2014 Burpee ..... D10/106.9  
 D704,513 S \* 5/2014 Coplin ..... D7/624.2  
 8,850,662 B2 \* 10/2014 Gitman ..... B25G 1/102  
 16/430  
 8,987,569 B2 \* 3/2015 Huber ..... G10D 13/12  
 84/422.4  
 D726,695 S \* 4/2015 Cano, Jr. .... H04R 1/1033  
 D14/224  
 D728,756 S \* 5/2015 Savage ..... D23/266  
 9,022,248 B2 \* 5/2015 Vandenlangenberg .....  
 B65D 81/3876  
 220/592.16  
 D762,422 S \* 8/2016 Coplin ..... D7/624.2

D762,423 S \* 8/2016 Coplin ..... B25D 1/14  
 D7/624.2  
 D768,546 S \* 10/2016 Ingallinera ..... D12/133  
 D770,601 S \* 11/2016 Melo ..... G10D 13/12  
 D23/266  
 D787,132 S \* 5/2017 Abbate ..... D29/114  
 D789,188 S \* 6/2017 Votel ..... H02B 1/048  
 D8/382  
 D807,711 S \* 1/2018 Coplin ..... D7/624.2  
 D825,650 S \* 8/2018 Gonzalez ..... D17/22  
 D861,885 S \* 10/2019 McEwen ..... D24/190  
 D873,089 S \* 1/2020 Gillespie ..... D7/607  
 D884,909 S \* 5/2020 McBride ..... B25G 1/102  
 D24/190  
 D892,630 S \* 8/2020 Tung ..... B25G 1/01  
 D9/711  
 D919,391 S \* 5/2021 Jefferson, Jr. .... D8/29  
 2002/0002895 A1 \* 1/2002 Zbrzezny ..... G10D 13/12  
 84/422.4  
 2013/0298749 A1 \* 11/2013 Richards ..... G10D 13/12  
 84/422.4

\* cited by examiner

FIG. 1

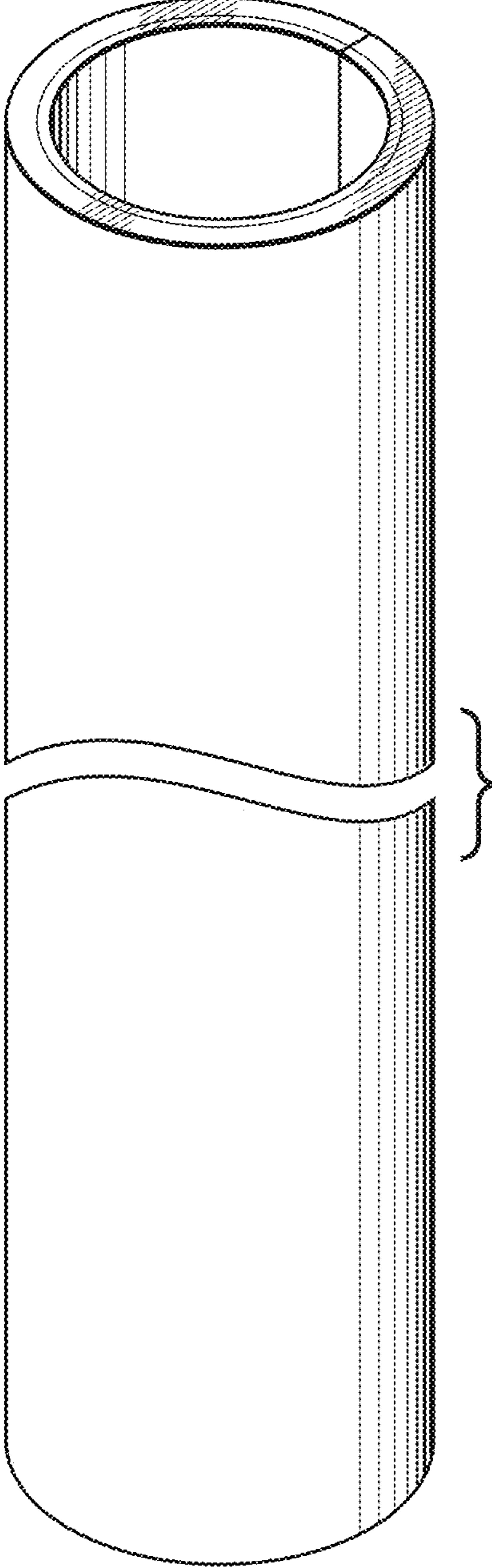
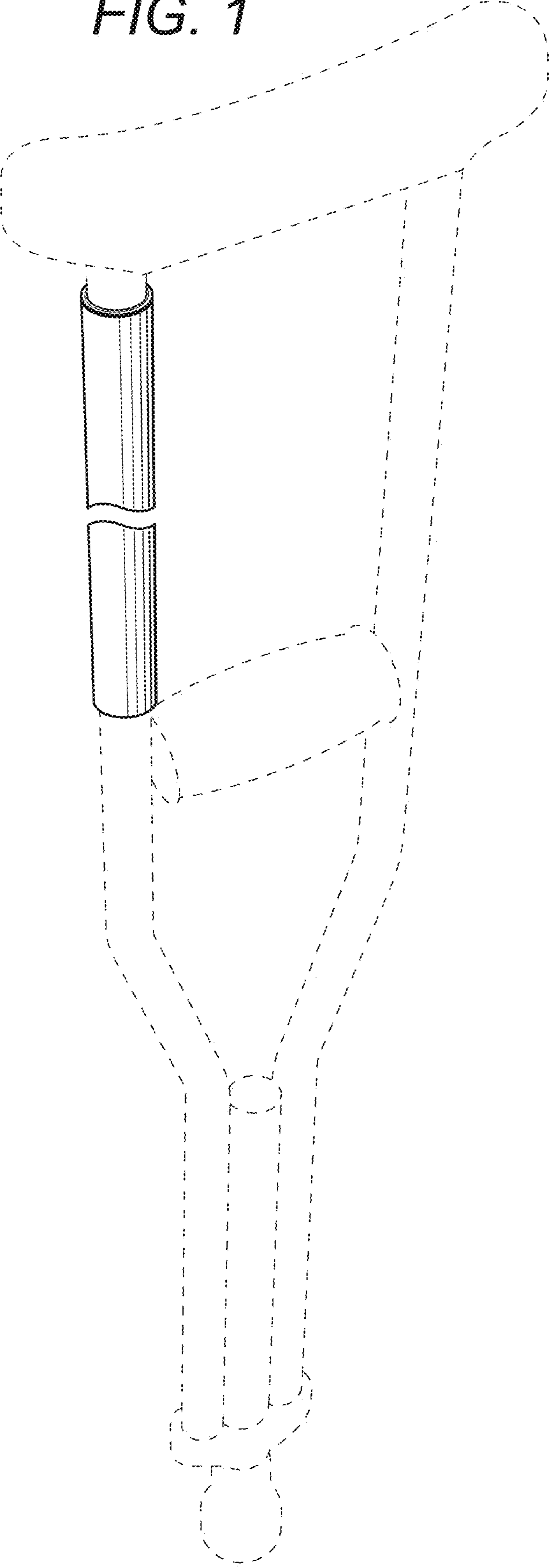


FIG. 2

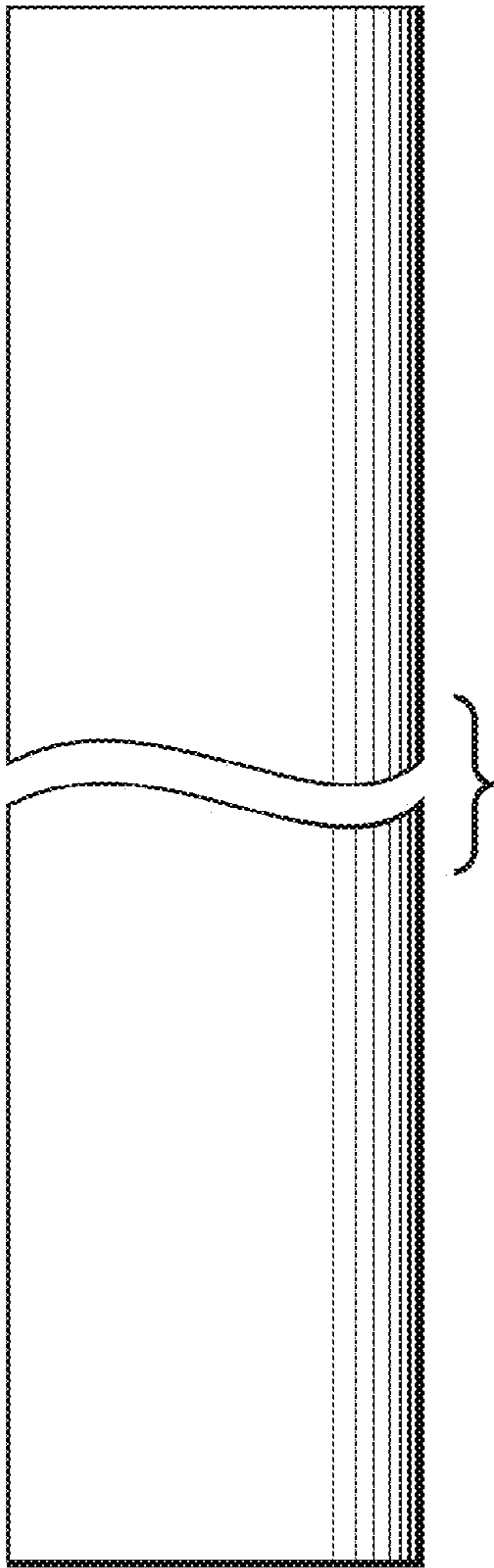


FIG. 3

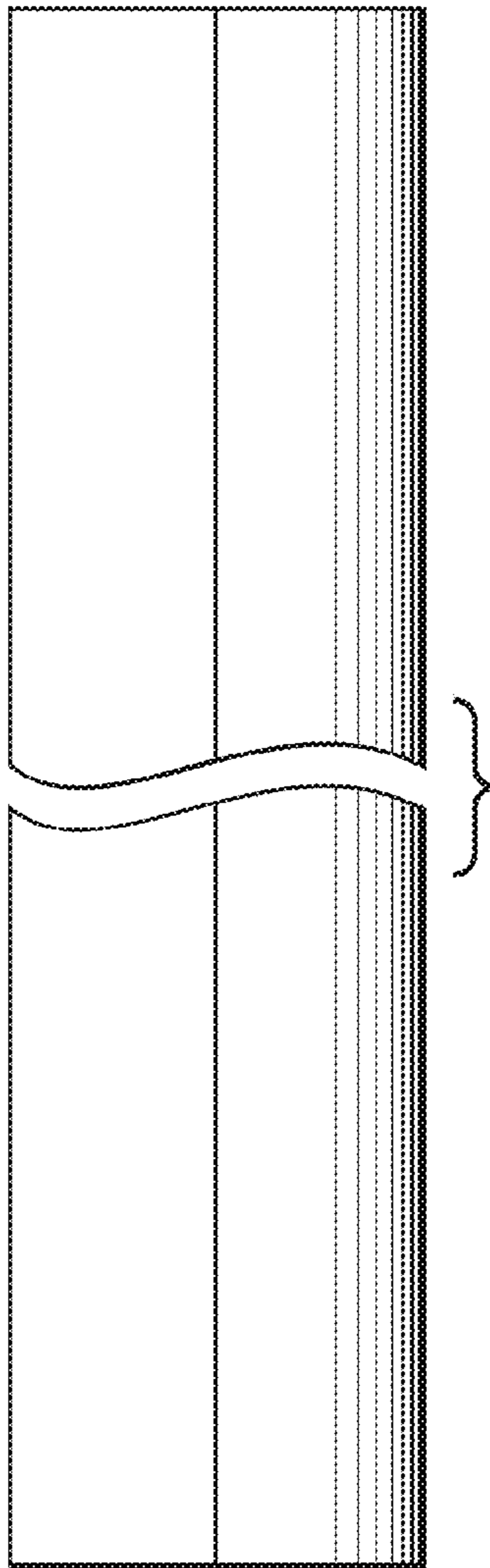


FIG. 4

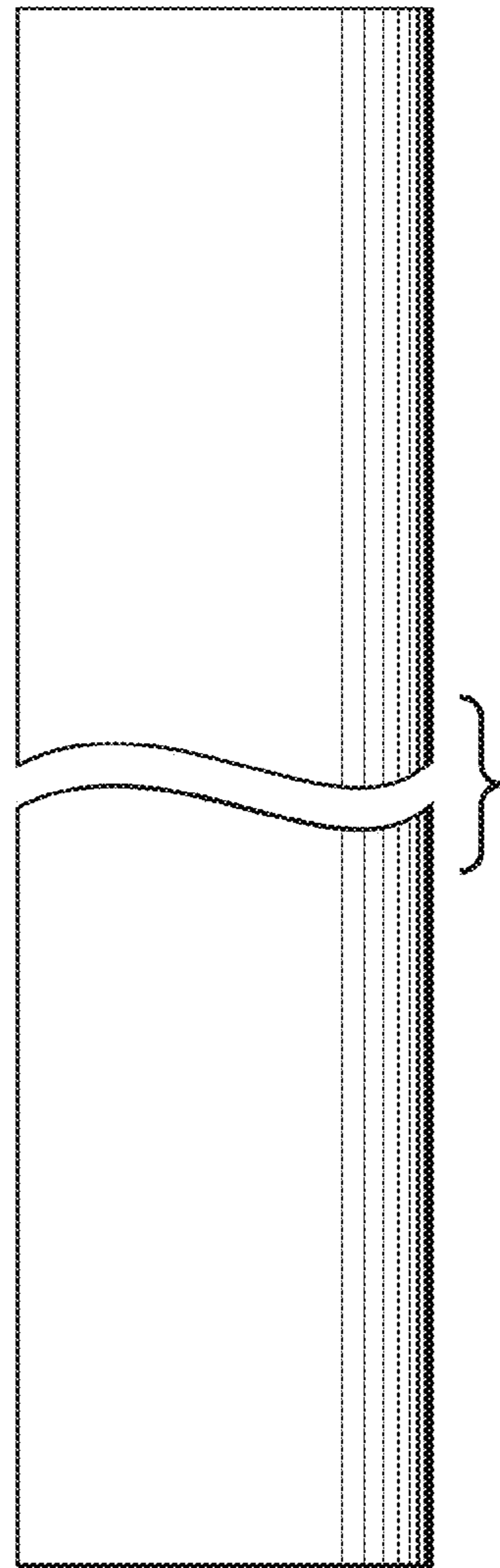


FIG. 5

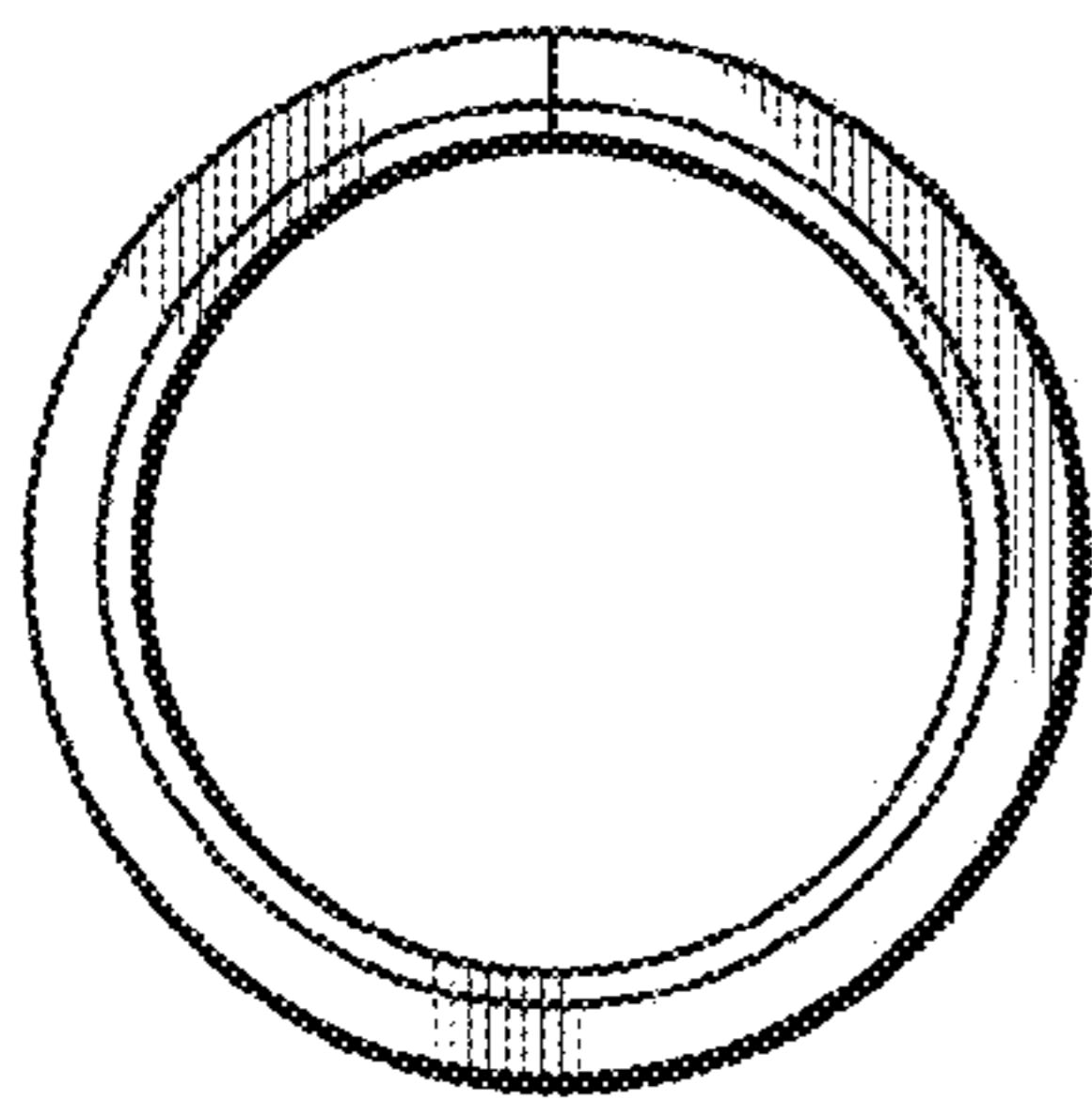


FIG. 6