

US00D978509S

(12) **United States Design Patent**
Makere

(10) **Patent No.:** **US D978,509 S**

(45) **Date of Patent:** **** Feb. 21, 2023**

(54) **SHOE**

(71) Applicant: **Converse Inc.**, Boston, MA (US)

(72) Inventor: **Alyssa Makere**, Boston, MA (US)

(73) Assignee: **Converse Inc.**, Boston, MA (US)

(**) Term: **15 Years**

(21) Appl. No.: **29/761,505**

(22) Filed: **Dec. 9, 2020**

(51) **LOC (14) Cl.** **02-04**

(52) **U.S. Cl.**
USPC **D2/960**; D2/949; D2/902

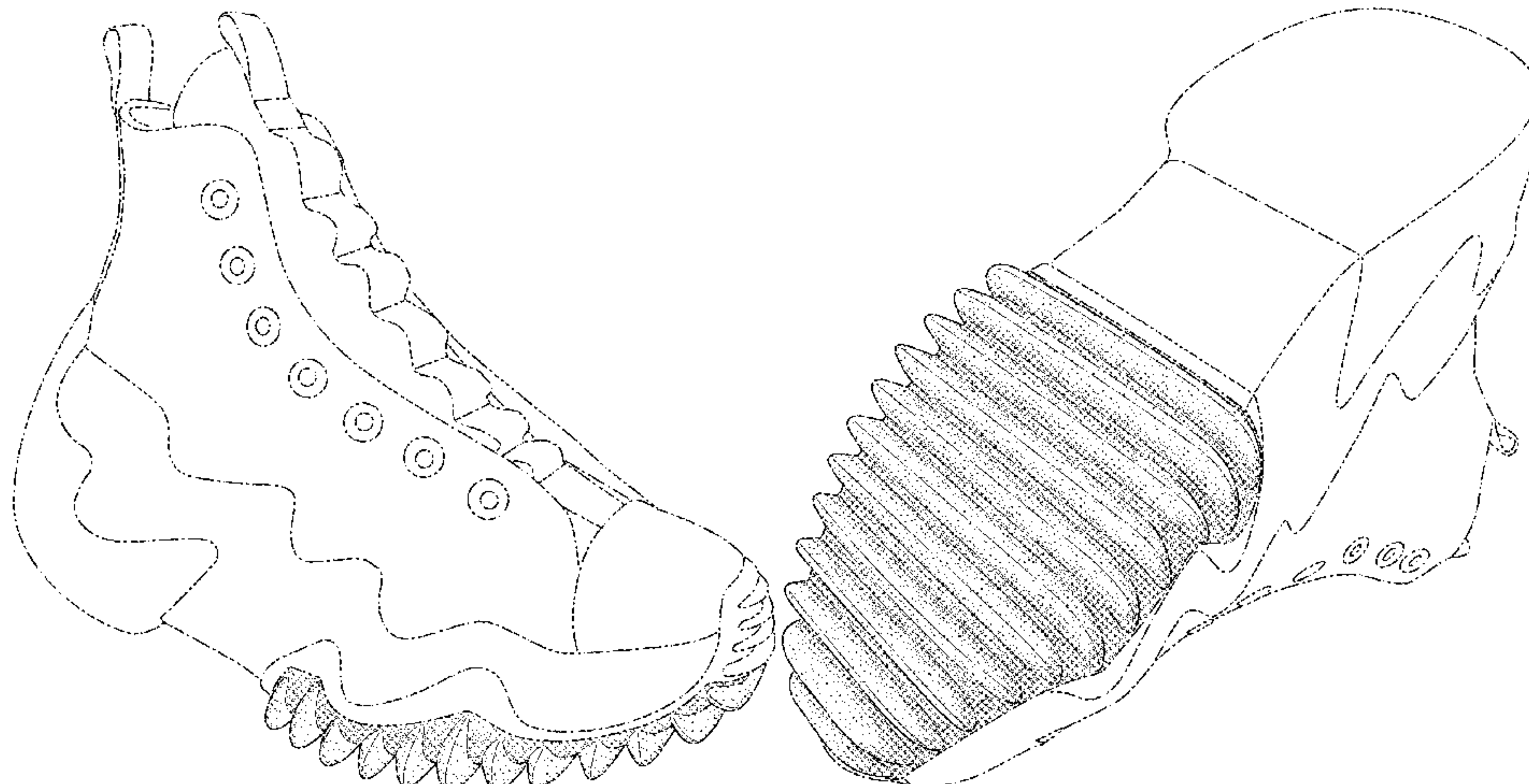
(58) **Field of Classification Search**
USPC D2/896, 897, 898, 902, 906, 907, 908,
D2/909, 910, 912, 943, 944, 947, 948,
D2/949, 951, 952, 953, 964, 969, 970,
D2/972, 973, 974, 977, 959, 903, 960,
D2/954
CPC A43B 1/00; A43B 1/0009; A43B 1/0027;
A43B 1/0063; A43B 1/0072; A43B
1/009; A43B 1/02; A43B 1/023; A43B
1/028; A43B 1/04; A43B 1/05; A43B
1/10; A43B 1/14; A43B 3/0036; A43B
3/0078; A43B 3/0084; A43B 3/244; A43B
3/242; A43B 5/00; A43B 5/001; A43B
5/02; A43B 5/06; A43B 5/10; A43B 7/38;
A43B 9/14; A43B 9/18; A43B 13/02;
A43B 13/04; A43B 13/023; A43B 13/12;
A43B 13/122; A43B 13/125; A43B
13/14; A43B 13/26; A43B 13/206; A43B
13/187; A43B 13/223; A43B 13/184;
A43B 15/00; A43B 17/14; A43B 21/06;
A43B 21/08; A43B 21/20; A43B 23/00;
A43B 23/02; A43B 23/0235; A43B 23/04
See application file for complete search history.

2,930,149 A 3/1960 Hack
2,937,462 A * 5/1960 Hack A43B 13/223
36/149
2,941,316 A * 6/1960 Hack A43B 13/223
36/32 R
2,941,317 A * 6/1960 Hack A43B 21/26
36/35 R
D189,839 S 3/1961 Nakashima
2,981,011 A 4/1961 Lombardo
3,009,204 A * 11/1961 Bingham, Jr. A43B 13/04
425/510
3,018,571 A 1/1962 Doherty
3,619,916 A 11/1971 Neri
3,947,979 A 4/1976 Sidles
D241,586 S 9/1976 Sebestik
D268,299 S 3/1983 Argyropoulos
D273,437 S 4/1984 Kohno
4,631,842 A * 12/1986 Koskela A43B 13/26
36/103
D296,952 S 8/1988 Brown et al.
D298,299 S 11/1988 Deibel
D301,798 S 6/1989 Jonah
D301,934 S 7/1989 Simonin
D325,293 S * 4/1992 Kiyosawa D2/949
D339,460 S * 9/1993 Kayano D2/949
D367,554 S 3/1996 James
5,713,140 A * 2/1998 Baggenstoss A43B 13/206
36/28
D402,096 S * 12/1998 Gross D2/959
D402,455 S * 12/1998 Greenberg D2/969
D450,913 S * 11/2001 Banik D2/903
D473,041 S * 4/2003 Finkelberg D2/960
D485,976 S 2/2004 Maatita
D490,225 S 5/2004 McClaskie
D500,406 S 1/2005 Belley et al.
D520,725 S 5/2006 Duclos
7,204,044 B2 4/2007 Hoffer et al.
D559,508 S 1/2008 Cintron
D593,742 S 6/2009 Issler
D606,292 S 12/2009 Ong
D624,294 S 9/2010 Skovgaard
7,861,438 B2 1/2011 Duclos
D649,754 S * 12/2011 Callahan D2/954
D649,755 S 12/2011 Skovgaard
D667,619 S 9/2012 Blakeslee
D692,217 S 10/2013 Fogg
D707,439 S 6/2014 DeVecchio
D713,625 S 9/2014 Raasch
D764,782 S * 8/2016 Hardigan D2/960
D771,926 S 11/2016 Little
D779,189 S 2/2017 Engel
D783,251 S 4/2017 Engel
D790,829 S 7/2017 Goldstein

(56) **References Cited**

U.S. PATENT DOCUMENTS

D157,550 S * 2/1950 Walls D2/949
2,710,461 A 6/1955 Hack



D796,802 S	9/2017	Kinley	
D798,560 S	10/2017	Galway et al.	
D798,566 S	10/2017	Pauk	
D802,286 S	11/2017	Klein	
9,867,427 B2 *	1/2018	Fujita	A43B 13/187
D820,570 S	6/2018	Mokos et al.	
D827,257 S	9/2018	Ringholz et al.	
D831,938 S *	10/2018	Ghesquiere	D2/902
D838,459 S	1/2019	Rauner	
D838,460 S	1/2019	Jalbert	
D844,960 S	4/2019	Cooper	
D845,601 S	4/2019	Cooper	
D848,713 S	5/2019	Blauer	
D864,549 S	10/2019	Matthews	
D873,547 S	1/2020	Rauner et al.	
D874,105 S	2/2020	Rauner et al.	
D874,106 S	2/2020	Rauner et al.	
D876,762 S	3/2020	Petrenka	
D876,763 S	3/2020	Petrenka	
D880,135 S	4/2020	Rauner	
D882,918 S	5/2020	Kosenick	
D883,617 S *	5/2020	Spring	D2/902
D887,682 S *	6/2020	Sogorb	D2/902
D888,382 S *	6/2020	Nawab	A43B 13/206 D2/947
D894,551 S *	9/2020	Murphy-Reinhertz	D2/960
D895,951 S	9/2020	Hardigan	
D905,944 S *	12/2020	Heald	A43B 13/04 D2/947
D928,495 S	8/2021	Hannah	
D934,536 S *	11/2021	Louboutin	D2/902
D938,713 S	12/2021	Perkins	
D943,936 S	2/2022	Perkins	
D948,850 S	4/2022	Small	
D953,009 S	5/2022	Heinrich	
2010/0287793 A1	11/2010	Hall et al.	
2011/0078924 A1 *	4/2011	Rackiewicz	A43B 23/026 12/142 E
2013/0247425 A1 *	9/2013	Davis	A43B 13/026 36/30 R

FOREIGN PATENT DOCUMENTS

CN	306958529	11/2021
CN	306969030	11/2021
CN	307013543	12/2021
CN	307013619	12/2021
CN	307038428	12/2021
CN	307103724	2/2022
CN	307103858	2/2022
CN	307175528	3/2022
CN	307184764	3/2022
CN	307215797	4/2022

OTHER PUBLICATIONS

Asics Website Gel Quantum Lyte, Available online Sep. 26, 2022 Sep. 26, 2022, Available at URL: https://www.asics.com/us/en-us/gel-quantum-lyte/p/ANA_1201A235-006.html?width=Standard&rrec=true (2022) (Year: 2022).*

HypeBeast blog post Vans Stacked Platform Sk8-Hi and Era Models dated May 21, 2019. Sep. 26, 2022, Available at URL <https://hypebeast.com/2019/5/vans-stacked-platform-sk8-hi-era-sneakers-release> (2019) (Year: 2019).*

Yesstyle Website Shanoo Platform Sneaker Available Sep. 26, 2022. Sep. 26, 2022, Available at URL <https://www.yesstyle.com/en/tcuc.USD/coc.US/info.html/pid.1112706032?cpid=1112707213&googtrans=en> (2022) (Year: 2022).*

Well Dressed Dad blog post “Ripple soles fun or function” dated Mar. 17, 2015. Sep. 27, 2022, Available at URL <https://welldresseddad.com/2015/03/17/ripple-soles-fun-function/> (2022) (Year: 2015).* “Run Star Hike”; Converse; retrieved Nov. 11, 2020; published date unknown, but prior to application filing date; URL: https://www.converse.com/shop/p/run-star-hike-unisex-high-top-shoe/166800C_075.html.

“VSL Sneaker Review: Converse Run Star Hike”; Versa Style LAB; retrieved Nov. 11, 2020; published May 27, 2020; URL: <https://versastylelab.com/2020/05/27/vsl-sneaker-review-converse-run-star-hike/>.

The Women’s Converse Run Star Motion Releases Tomorrow, announced Jun. 30, 2021 [online], [site visited Feb. 22, 2022]. Available from internet, URL: <https://sneakernews.com/2021/06/30/converse-run-star-motion-womens-release-date/> (Year: 2021). Converse, Low Top Run Star Motion Platform, (2021), Converse.com, [site visited: Jun. 15, 2022], Available from URL: https://www.converse.com/shop/p/run-star-motion-platform-unisex-low-top-shoe/172895C.html?dwvar_172895C_color=black%2Fwhite%25 > 2Fegret&styleNo=172895C&cgid=run-star-hike (Year: 2021). Converse, Run Star Motion Platform, (2021), Converse.com, [site visited: Jun. 15, 2022], Available from URL: https://www.converse.com/shop/p/run-star-motion-platform-unisex-high-top-shoe/171545C.html?dwvar_171545C_color=black%2Fwhite%25 > 2Fgum%20honey&styleNo=171545C&cgid=run-star-hike (Year: 2021).

Sorel, Harlow Chelsea Boot, (2021), DSW.com, [site visited: Jun. 15, 2022], Available from URL: <https://www.dsw.com/en/us/product/<http://www.dsw.com/en/us/product/>sorel-harlow-chelsea-boot/519600?activeColor=052&rrec=true> (Year: 2021).

Sorel, Womens Harlow Conquest Boot, (2021), Sorel.com, [site visited: Jun. 15, 2022], Available from URL: https://www.sorel.com/p/<http://www.sorel.com/p/>womens-harlow-conquest-boot-1915451.html?dwvar_1915451_color=251&pos=20#product-image-2 (Year: 2021).

Sorel, Womens Evie Zip Wedge Bootie, (2021), Sorel.com, [site visited: Jun. 15, 2022], Available from URL: https://www.sorel.com/p/<http://www.sorel.com/p/>womens-evie-zip-wedge-bootie-2004901.html?dwvar_2004901_color=242 (Year: 2021).

Sorel, Womens Joan of Arctic Wedge III Zip Eco Bootie, (2021), Sorel.com, [site visited: Jun. 15, 2022], Available from URL: https://www.sorel.com/p/womens-joan-of-arctic-wedge-iii-zip-eco-bootie-1981171.html?dwvar_1981171_color=120 <http://www.sorel.com/p/womens-joan-of-arctic-wedge-iii-zip-eco-bootie-1981171.html?dwvar_1981171_color=120>(Year: 2021).

The Women’s Converse Run Star Motion Releases Tomorrow, announced Jun. 30, 2021 [online], [site visited Jun. 18, 2022]. Available from URL: <https://sneakernews.com/2021/06/30/converse-run-star-motion-womens-release-date/> (Year: 2021).

Converse, Converse Chuck Taylor All Star sneaker boot, (2022), ASOS.com, [site visited: Jun. 15, 2022], Available from URL: <https://www.asos.com/us/converse/converse-chuck-taylor-all-star-hi-lugged-20-leather-sneaker-boots-in-cream-with-gum-sole/prd/<http://www.asos.com/us/converse/converse-chuck-taylor-all-star-hi-lugged-20-leather-sneaker-boots-in-cream-with-gum-sole/prd/>200527205?ew42695sf1=fail&pdpserverm> (Year: 2022).

* cited by examiner

Primary Examiner — Jennifer L Watkins
Assistant Examiner — Christine Tucci
(74) Attorney, Agent, or Firm — Banner & Witcoff, Ltd.

(57) CLAIM

The ornamental design for a shoe, as shown and described.

DESCRIPTION

FIG. 1 is a front perspective view of a shoe showing my new design;
FIG. 2 is a side view thereof;
FIG. 3 is a front view thereof;
FIG. 4 is an opposite side view thereof;
FIG. 5 is an opposite side front perspective view thereof;

FIG. 6 is a bottom front perspective view thereof;
FIG. 7 is a bottom view thereof; and,
FIG. 8 is a bottom rear perspective view thereof.
The broken line immediately adjacent to and surrounding
the shaded area defines the peripheral bounds of the claimed
design and forms no part thereof. The broken lines depicting
the remainder of the shoe form no part of the claimed design.

1 Claim, 8 Drawing Sheets

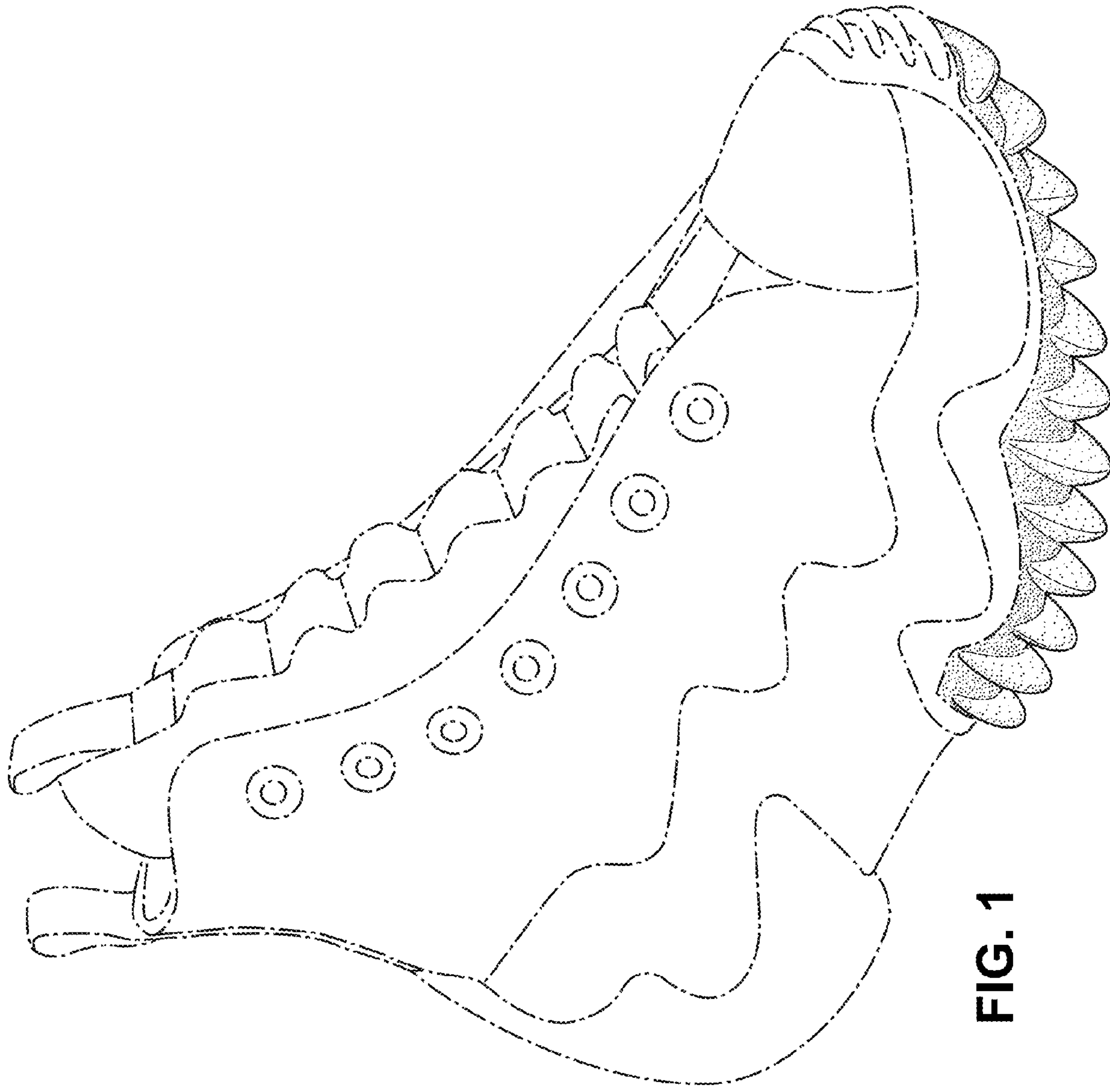


FIG. 1

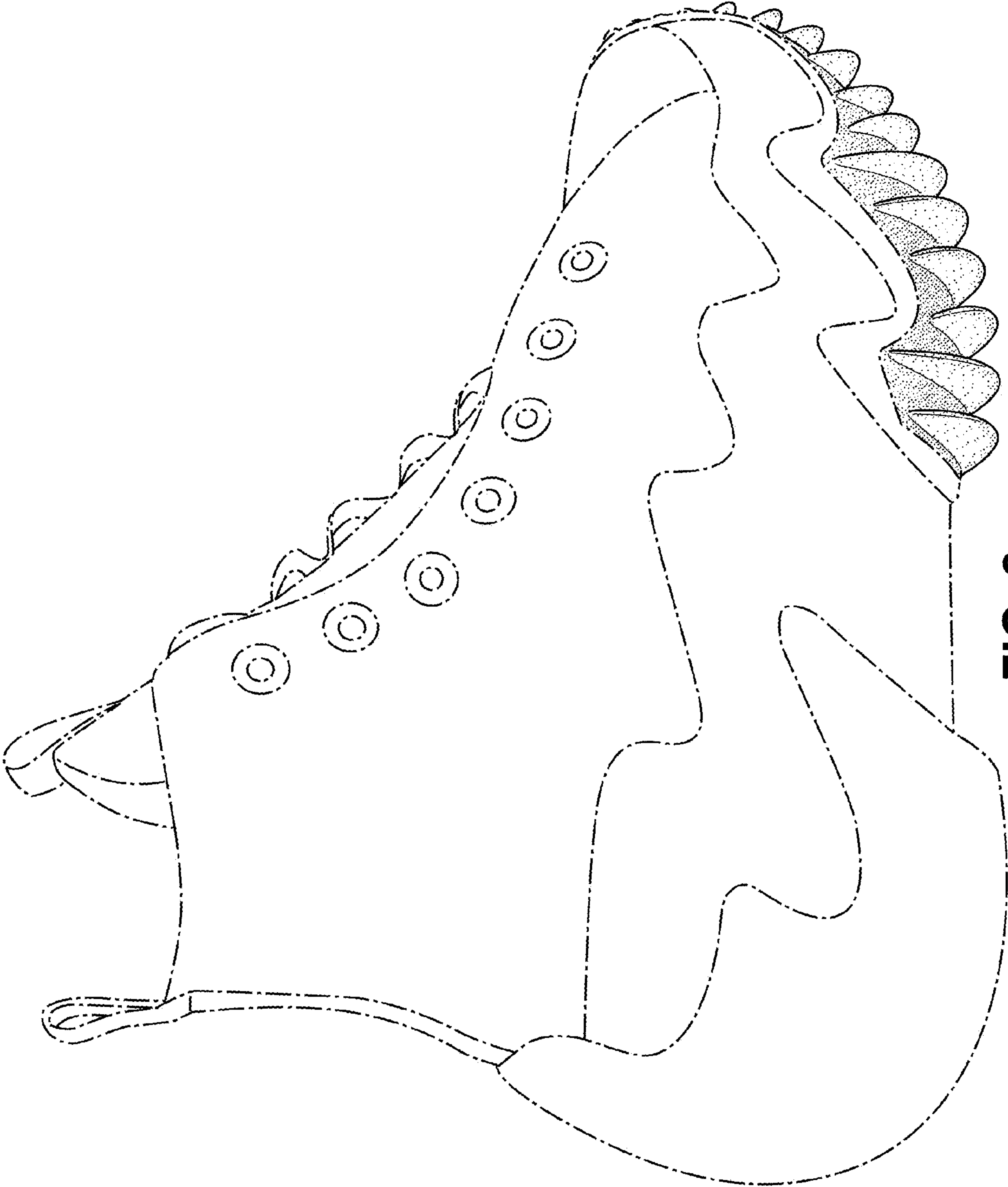


FIG. 2

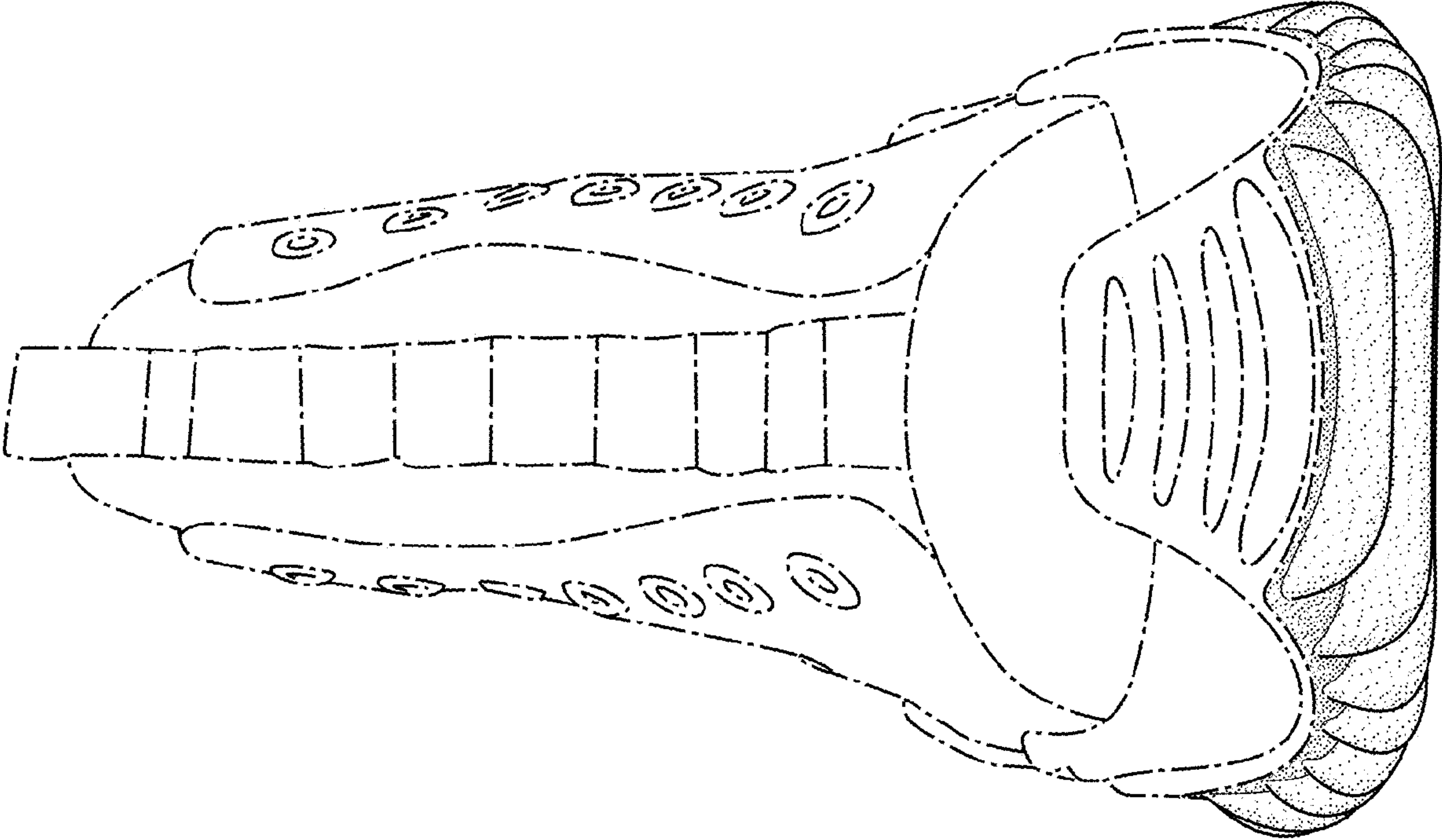


FIG. 3

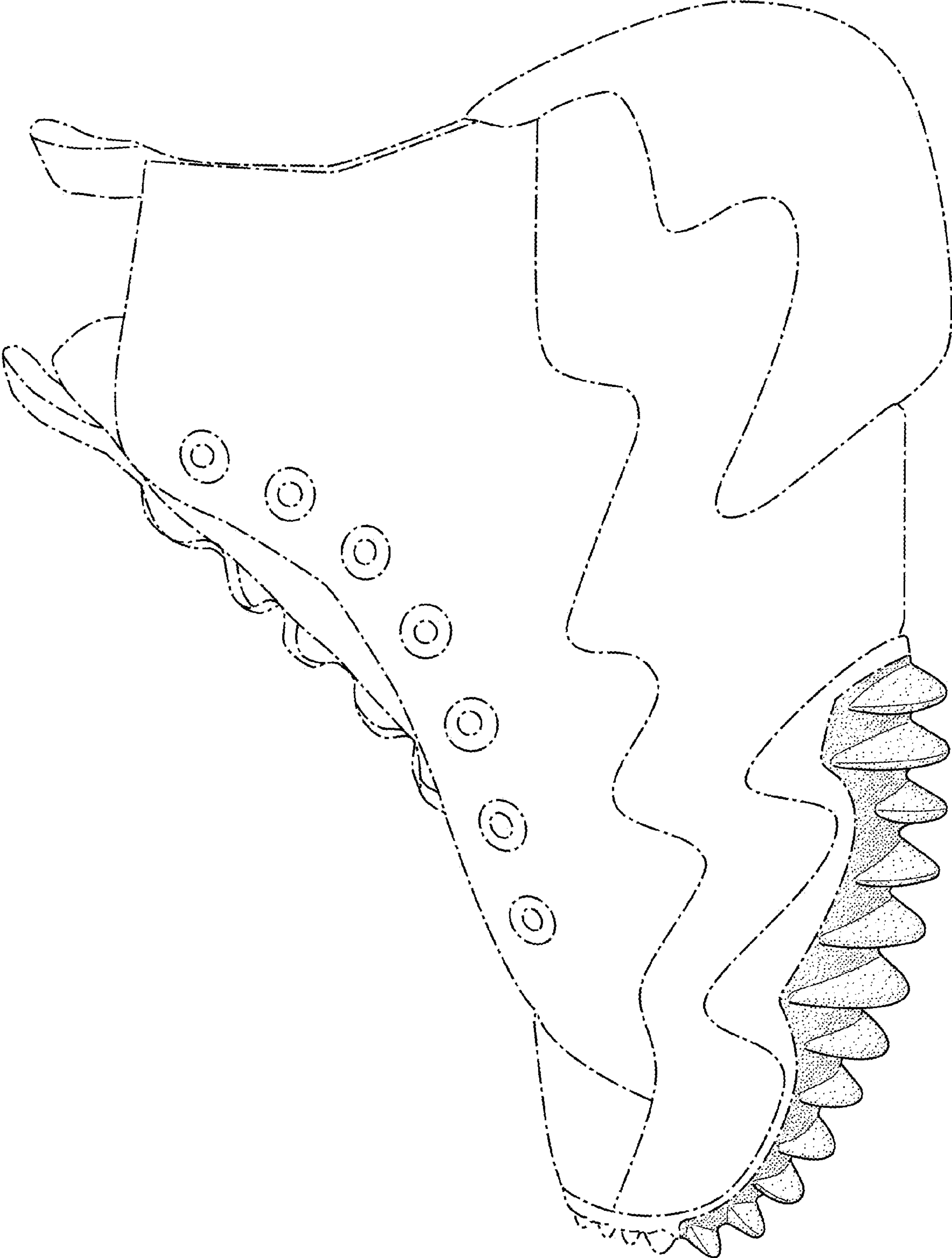


FIG. 4

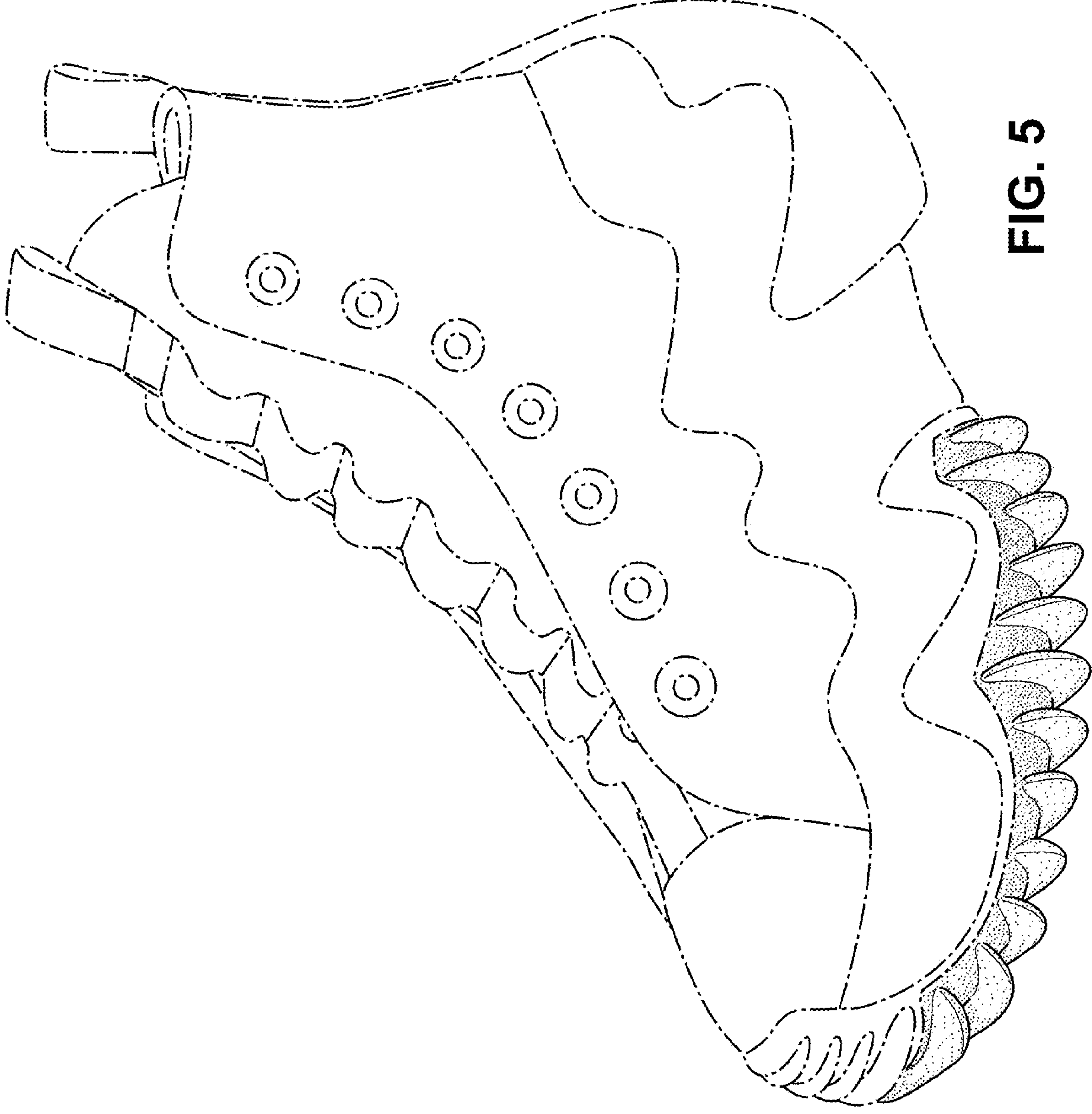


FIG. 5

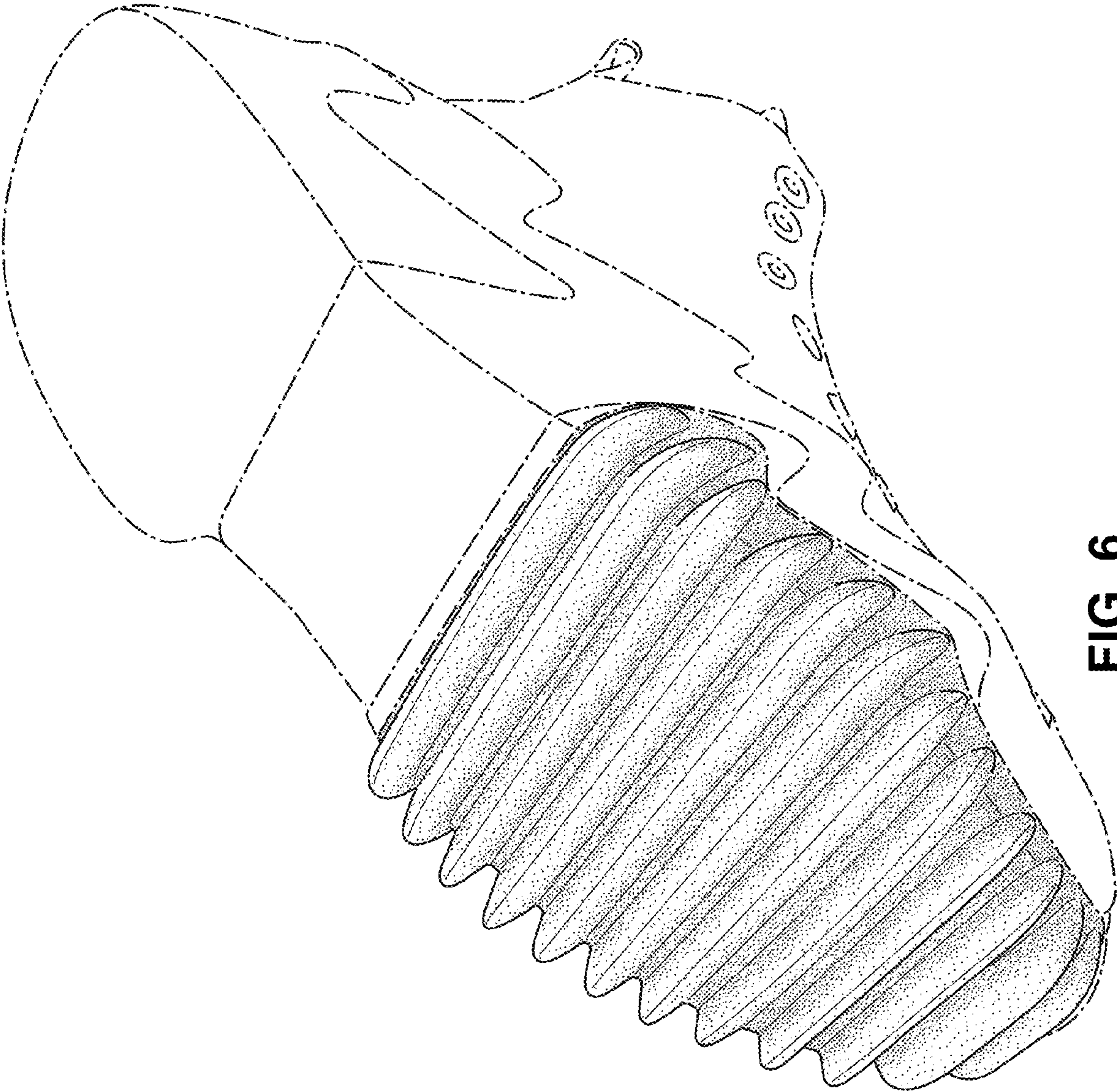


FIG. 6

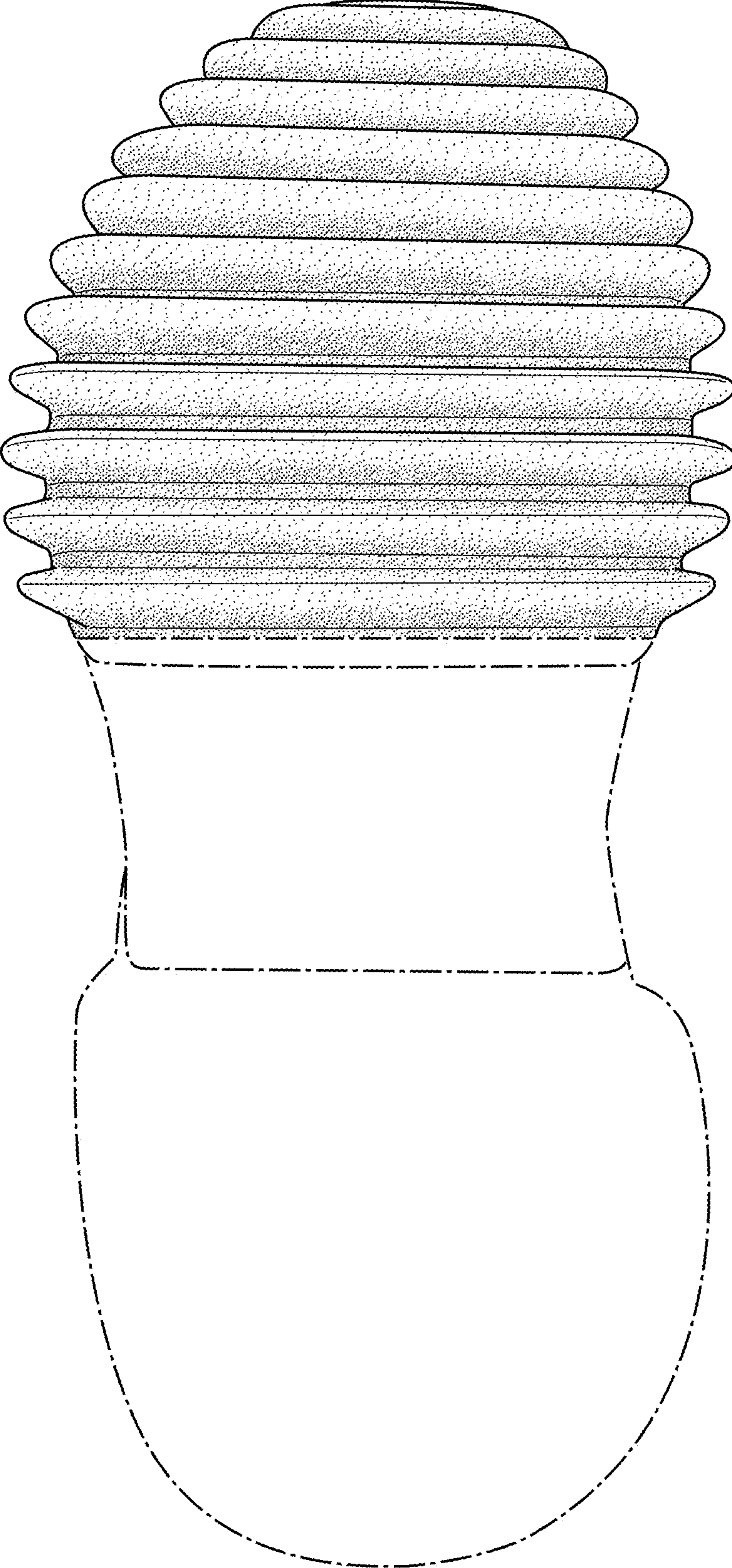


FIG. 7

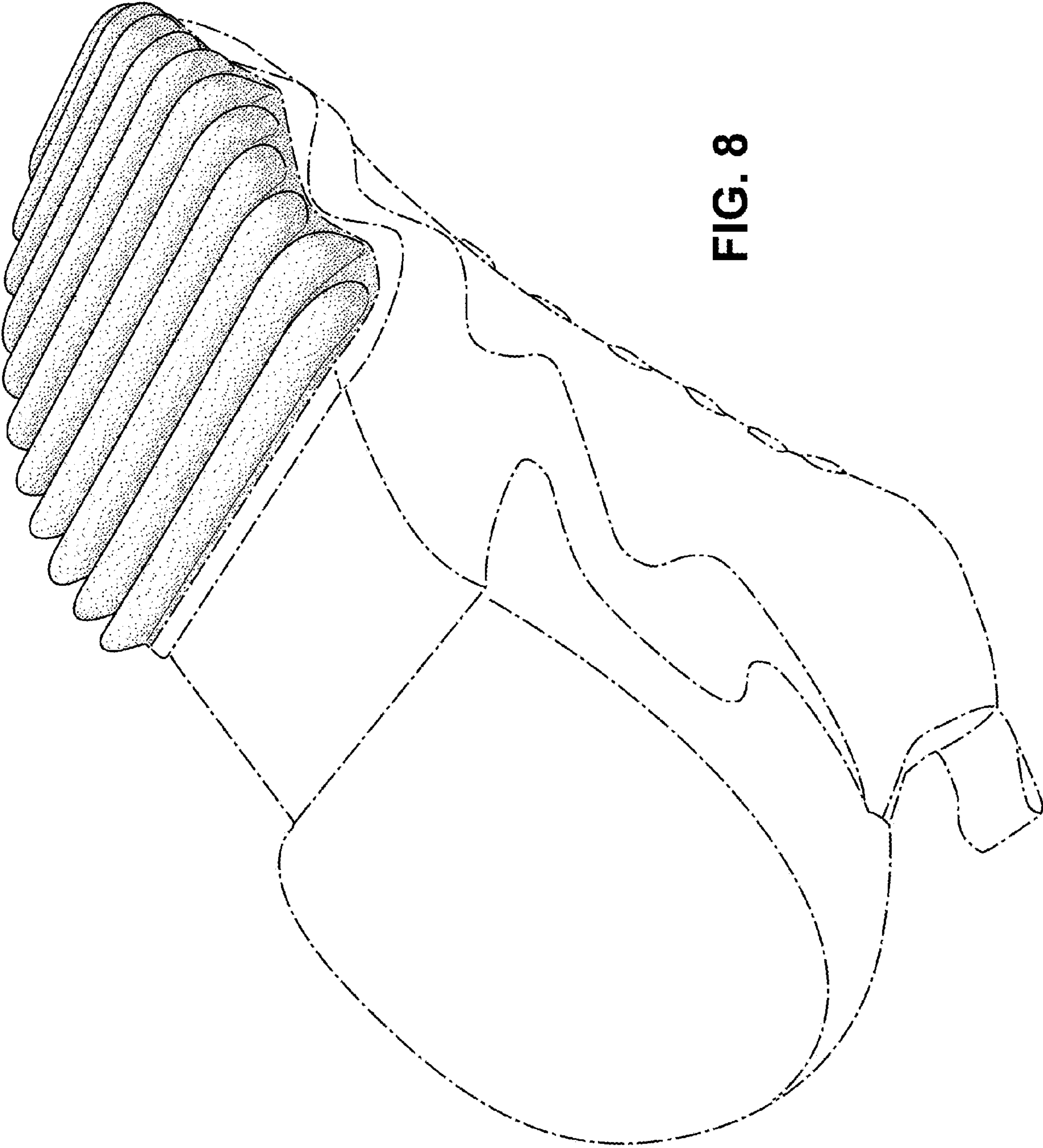


FIG. 8