



US00D978508S

(12) **United States Design Patent** (10) **Patent No.:** **US D978,508 S**
Schneider et al. (45) **Date of Patent:** **** Feb. 21, 2023**

(54) **SHOE SOLE**

(71) Applicant: **WOLF & SHEPHERD, INC.**, El Segundo, CA (US)
(72) Inventors: **Justin D. Schneider**, Hermosa Beach, CA (US); **Hope K. Schneider**, Hermosa Beach, CA (US)

(73) Assignee: **Wolf & Shepherd, Inc.**, El Segundo, CA (US)

(**) Term: **15 Years**

(21) Appl. No.: **29/754,000**

(22) Filed: **Oct. 5, 2020**

(51) **LOC (14) Cl.** **02-04**

(52) **U.S. Cl.**
USPC **D2/959**; D2/947; D2/953

(58) **Field of Classification Search**
USPC D2/896, 902, 906, 907, 908, 909, 912, D2/916, 918-920, 923, 925, 944, D2/946-962, 970, 974-977; 36/1, 1.5, 36/22 R, 24.5, 25 R, 28, 3 B, 32 R, 34 R, 36/59 C, 67 A, 83, 101-107, 112-116, 36/117.2, 117.3, 117.4, 124-136
CPC A43B 13/00; A43B 13/02; A43B 13/04; A43B 13/08; A43B 13/10; A43B 13/023; A43B 13/026; A43B 13/12; A43B 13/14; A43B 13/141; A43B 13/143; A43B 13/16; A43B 13/18; A43B 13/86; A43B 13/181; A43B 13/187; A43B 13/188; A43B 13/189; A43B 13/223; A43B 13/20; A43B 13/22; A43B 13/24; A43B 13/28; A43B 13/30; A43B 13/32; A43B 13/34; A43B 13/36

See application file for complete search history.

(56) **References Cited**

U.S. PATENT DOCUMENTS

487,250 A * 12/1892 Claffin et al. A43C 15/161 36/67 A
D203,382 S * 1/1966 Kenmore D2/959
D265,018 S * 6/1982 Vermont D2/977

(Continued)

FOREIGN PATENT DOCUMENTS

CN 303269443 * 7/2015
JP D1583137 * 8/2017

(Continued)

OTHER PUBLICATIONS

Wolf and Shepherd, Crossover Wingtip, (2020), Wolf and Shepherd, [site visited: May 25, 2022], Available from URL: <https://wolfandshepherd.com/collections/best-sellers-1/products/crossover-wingtip> (Year: 2020).*

(Continued)

Primary Examiner — T Chase Nelson

(74) *Attorney, Agent, or Firm* — Gina A. Bibby; Withers Bergman LLP

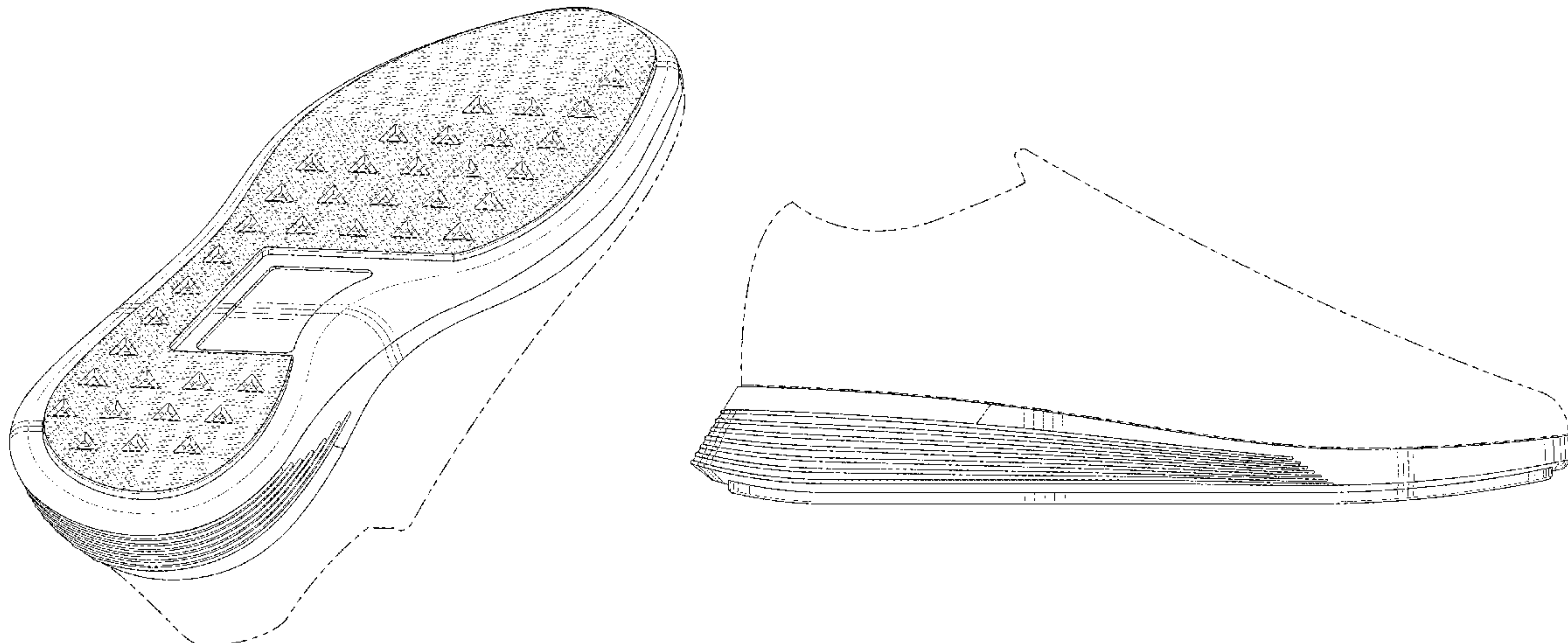
(57) **CLAIM**

The ornamental design for a shoe sole, as shown and described.

DESCRIPTION

FIG. 1 is bottom perspective view of a shoe sole showing our design;
FIG. 2 is a bottom view thereof;
FIG. 3 is a top view thereof;
FIG. 4 is a side view thereof;
FIG. 5 is an opposite side view thereof;
FIG. 6 is a rear view of thereof, enlarged for clarity purposes; and,
FIG. 7 is a front view thereof, enlarged for clarity purposes. The broken lines show environmental structure as well as portions of the shoe sole that form no part of the claimed design.

1 Claim, 7 Drawing Sheets



(56)

References Cited

U.S. PATENT DOCUMENTS

D281,459 S * 11/1985 Parker D2/959
 D295,691 S * 5/1988 Zuidema D2/950
 D301,800 S * 6/1989 Mitsui D2/954
 D302,071 S * 7/1989 Chang D2/961
 D302,765 S * 8/1989 Esser D2/959
 D307,816 S * 5/1990 Schneider D2/959
 D308,592 S * 6/1990 Kayano D2/955
 D311,810 S * 11/1990 Hatfield D2/957
 D319,334 S * 8/1991 Kiyosawa D2/959
 D324,131 S * 2/1992 Lucas D2/977
 D329,533 S * 9/1992 Hatfield D2/957
 D341,708 S * 11/1993 Blissett D2/957
 D352,157 S * 11/1994 Merceron D2/959
 D402,451 S * 12/1998 Wunsch D2/959
 D412,239 S * 7/1999 Sorofman A43B 1/06
 D416,670 S * 11/1999 Singer A43C 15/161
 D430,388 S * 9/2000 Dittrich A43B 13/122
 D484,298 S * 12/2003 Navatier D2/959
 7,080,467 B2 * 7/2006 Marvin A43B 13/189
 D554,839 S * 11/2007 Jensen D2/960
 D632,466 S * 2/2011 Kasprzak D2/962
 D638,616 S * 5/2011 Gibson D2/951
 D731,767 S * 6/2015 Lan D2/947
 D737,558 S * 9/2015 Bizzo D2/951
 D756,620 S * 5/2016 Boys D2/947
 D781,541 S * 3/2017 McGhee D2/947
 D782,790 S * 4/2017 Lee D2/947
 D791,453 S * 7/2017 McMillan D2/947
 D793,046 S * 8/2017 Lee D2/947
 D794,296 S * 8/2017 Lee D2/947
 D798,554 S * 10/2017 Swierszczk D2/947
 D798,559 S * 10/2017 Pauk D2/947
 D802,286 S * 11/2017 Klein D2/972
 D813,502 S * 3/2018 Weidenbach Gerbase D2/902
 D816,959 S * 5/2018 Cin D2/947
 D830,043 S * 10/2018 Sartori D2/947
 D847,480 S * 5/2019 Khalife
 D848,131 S * 5/2019 Moranges D2/951
 D852,485 S * 7/2019 Gress D2/947
 D870,429 S * 12/2019 Becker D2/947
 D882,918 S * 5/2020 Kosenick A43B 7/144
 D2/947

D882,919 S * 5/2020 Kosenick A43B 13/206
 D2/947
 D883,623 S * 5/2020 Kosenick A43C 15/161
 D2/947
 D883,624 S * 5/2020 Kosenick A43B 1/00
 D2/947
 D886,428 S * 6/2020 Natowich McPhee
 A43B 23/0245
 D2/947
 D893,152 S * 8/2020 Jenkins A43B 7/144
 D2/947
 D903,262 S * 12/2020 Moranges D2/951
 D921,347 S * 6/2021 Chao D2/947
 D925,185 S * 7/2021 Gerbase D2/959
 D929,102 S * 8/2021 Rémy D2/962
 D950,211 S * 5/2022 Tejada Bernard D2/947
 D950,217 S * 5/2022 Van De Stouwe D2/947
 D950,912 S * 5/2022 Van De Stouwe D2/951
 2013/0031805 A1 * 2/2013 Crowley, II A43B 7/144
 36/103
 2013/0312284 A1 * 11/2013 Berend A43B 23/0245
 36/83
 2014/0150298 A1 * 6/2014 Crowley A43B 7/144
 36/103
 2014/0215857 A1 * 8/2014 Curl A43C 15/161
 36/134
 2015/0342300 A1 * 12/2015 Cin A43B 13/122
 36/103
 2016/0157553 A1 * 6/2016 Cross A43B 13/14
 36/30 R
 2018/0295934 A1 * 10/2018 Bernhard A43B 13/206
 2019/0082756 A1 * 3/2019 Arno A43B 1/00
 2022/0061457 A1 * 3/2022 Girard A43B 1/06

FOREIGN PATENT DOCUMENTS

JP D1649077 * 1/2020
 WO D206801-001 * 4/2020
 WO D216078-001 * 9/2021

OTHER PUBLICATIONS

Wolf and Shepherd, Swift Knit Loafer, (2020), Wolf and Shepherd, [site visited: May 25, 2022], Available from URL: <https://wolfandshepherd.com/collections/best-sellers-1/products/swiftnit-loafer> (Year: 2020).*

* cited by examiner

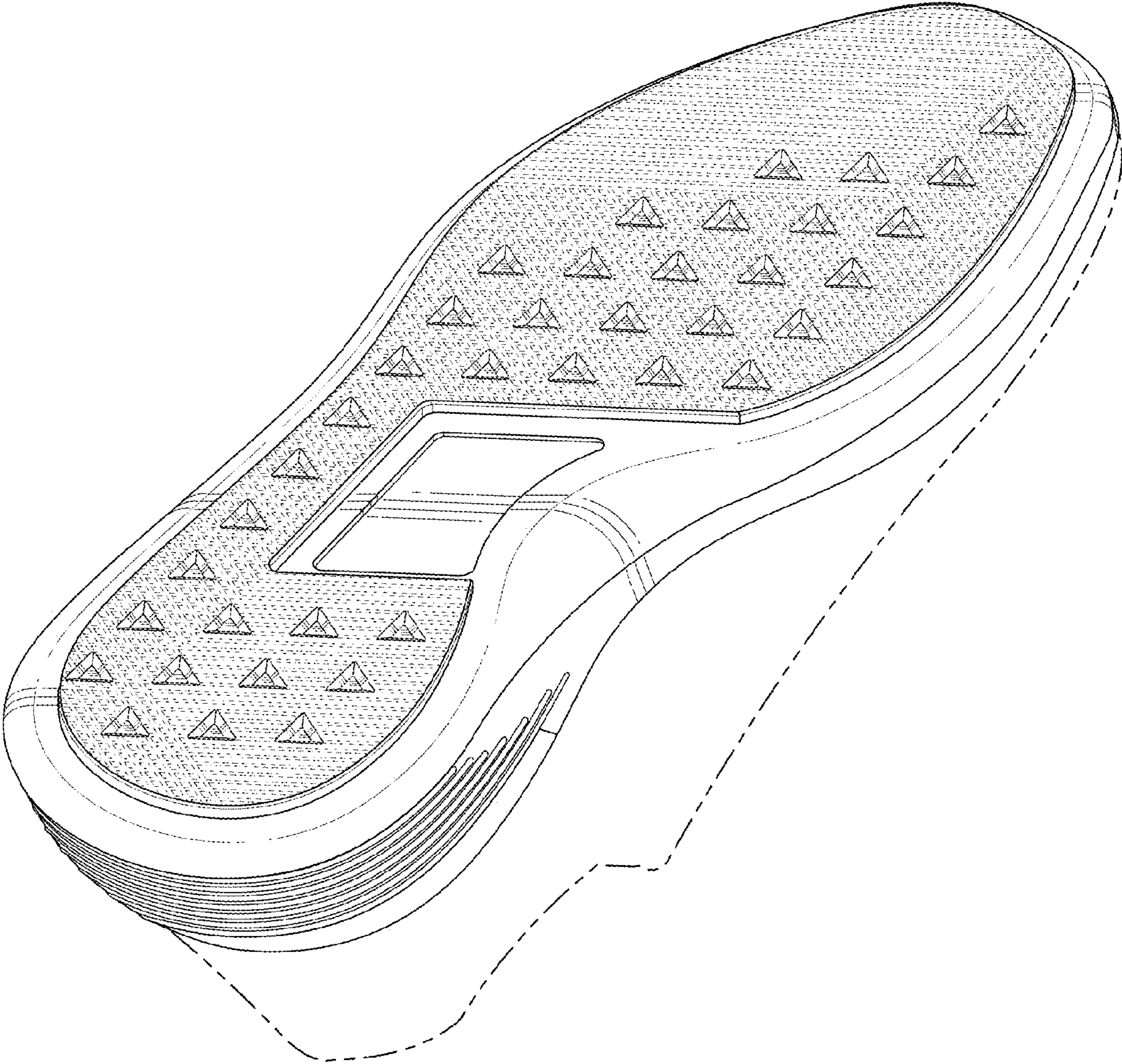


FIG. 1

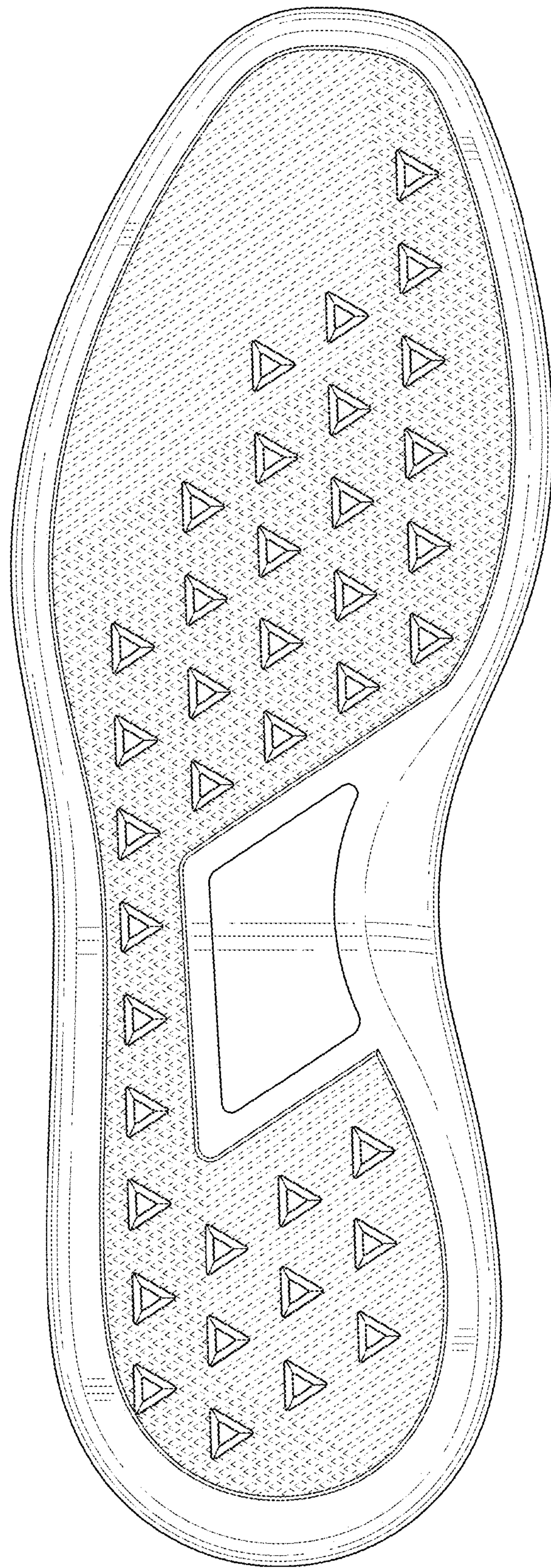


FIG. 2

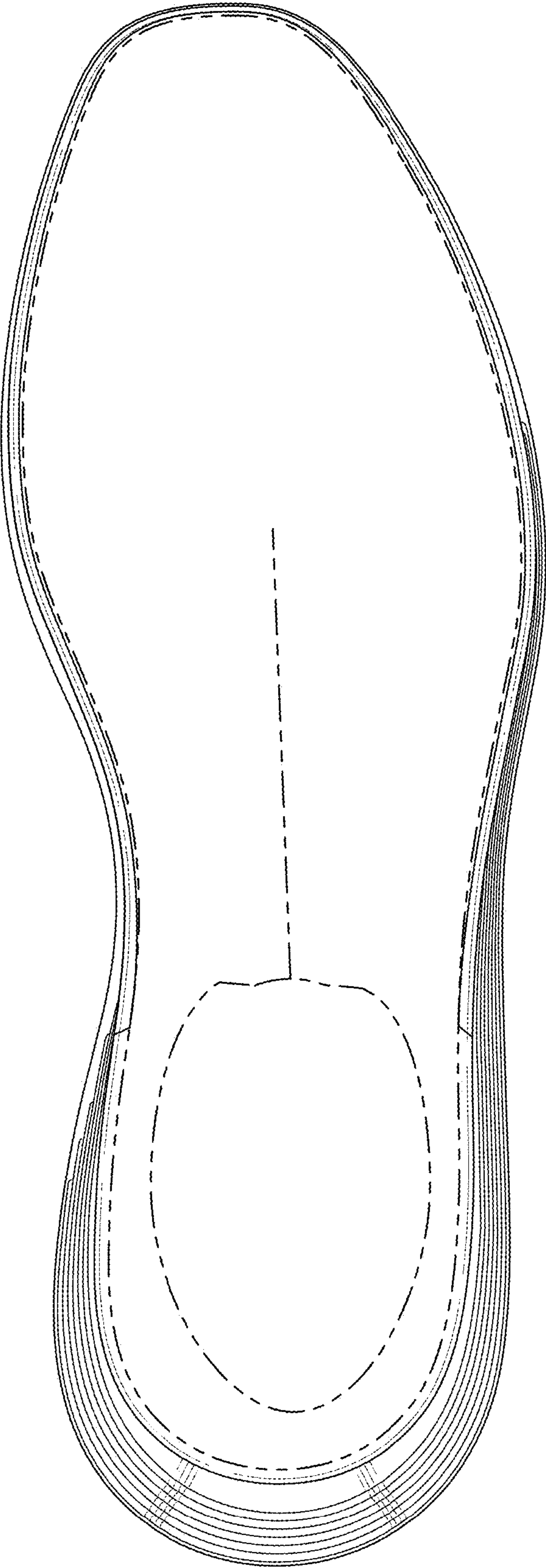


FIG. 3

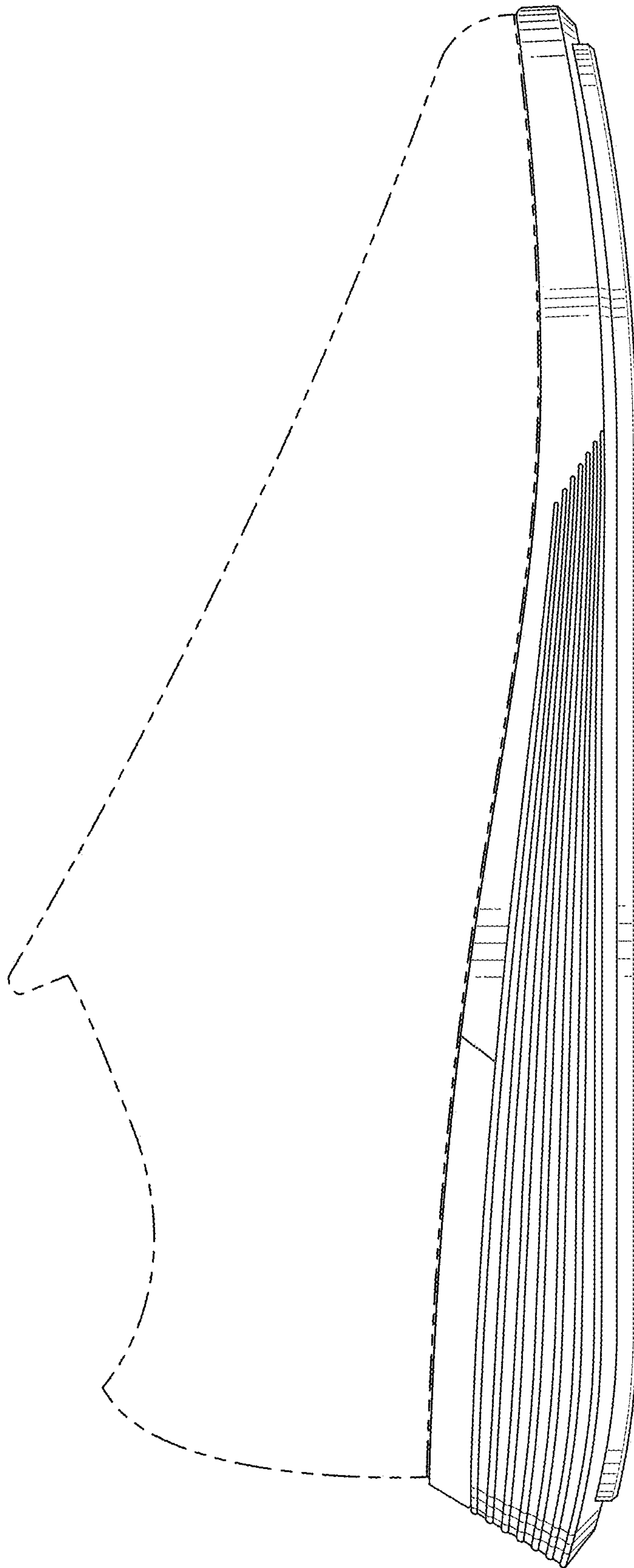


FIG. 4

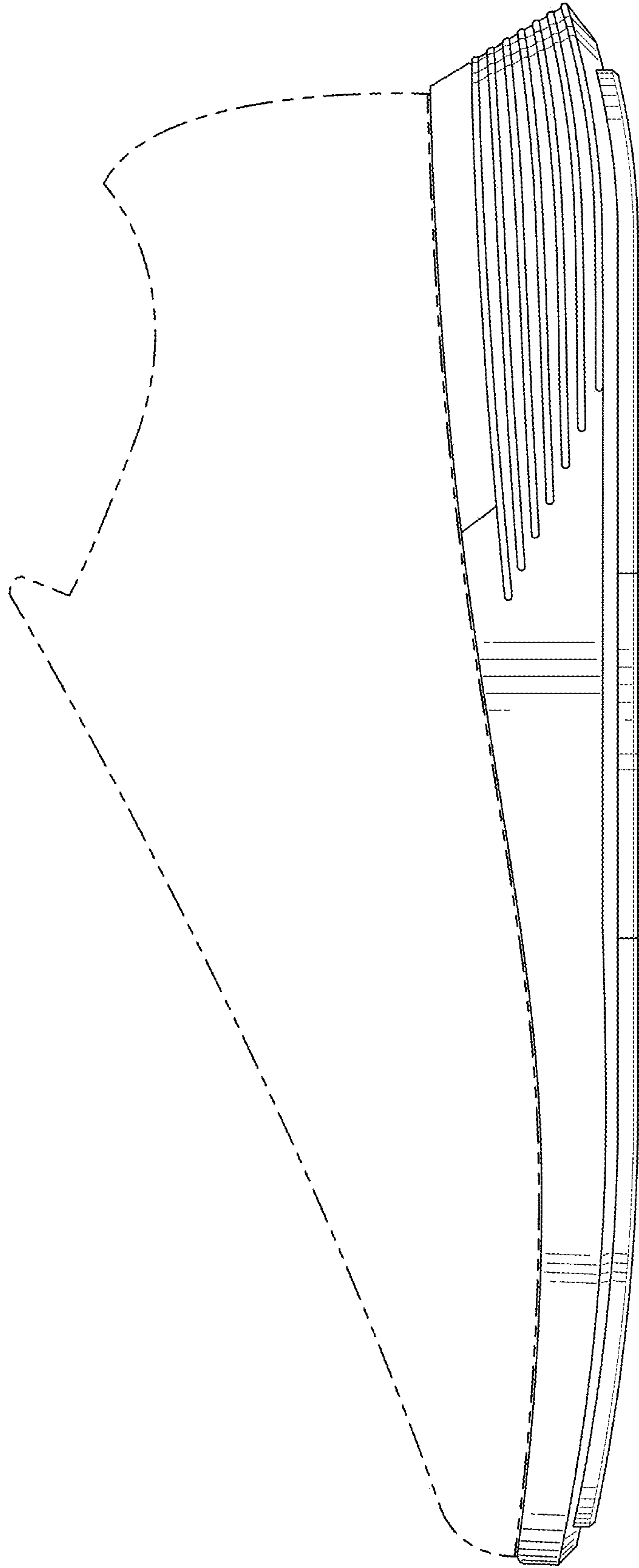


FIG. 5

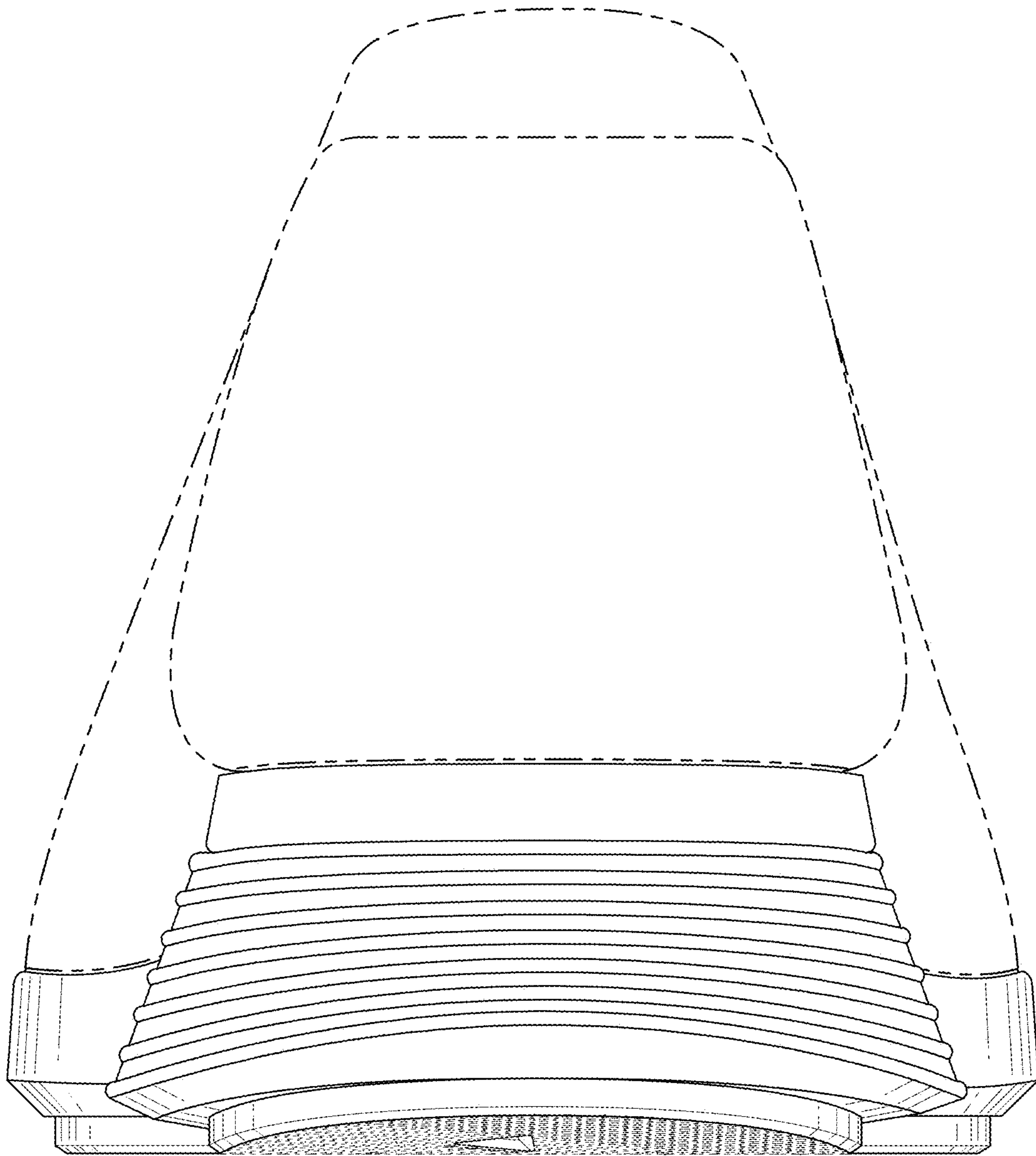


FIG. 6

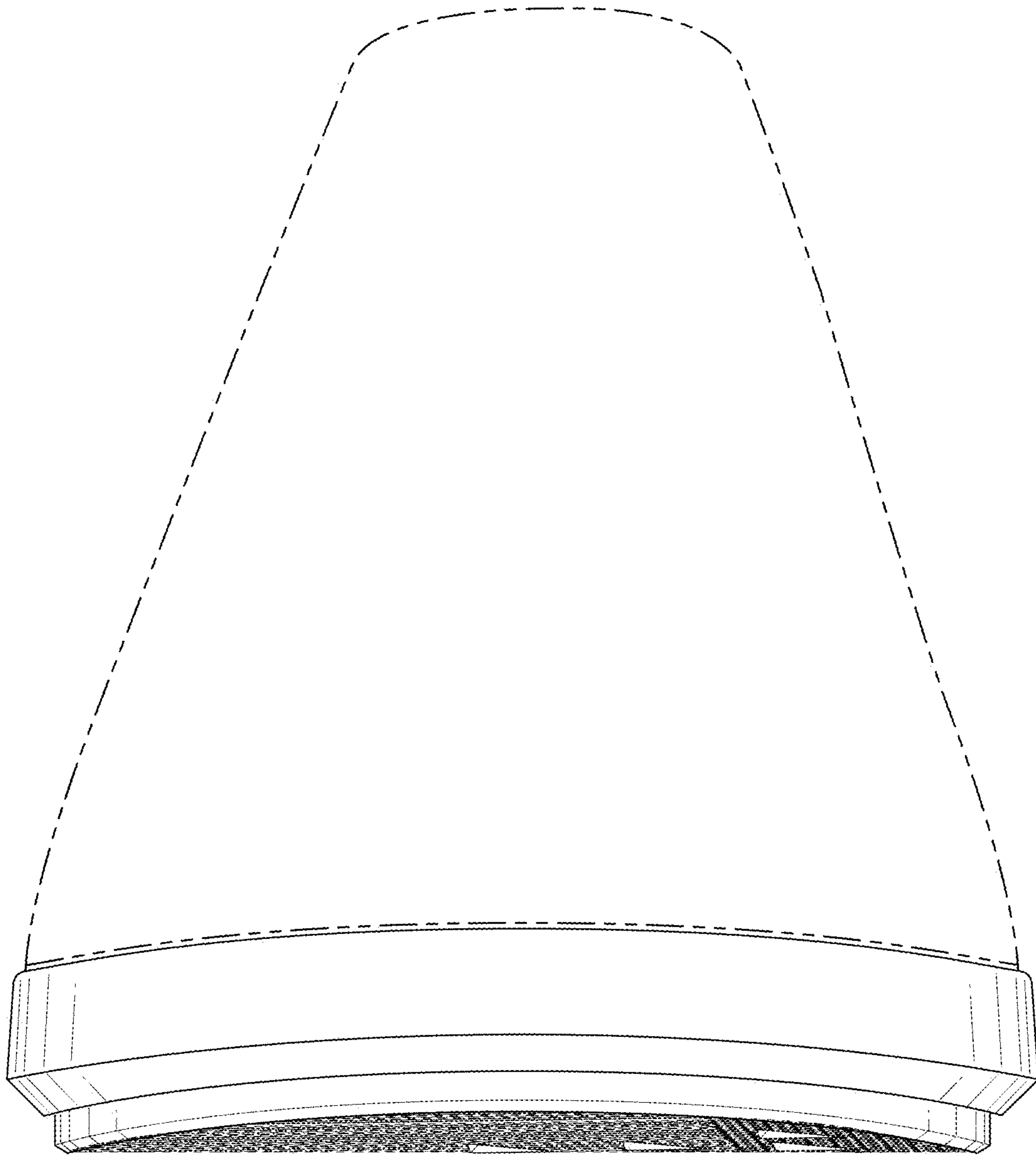


FIG. 7