

US00D978498S

(12) **United States Design Patent**
Makere

(10) **Patent No.:** **US D978,498 S**

(45) **Date of Patent:** **** Feb. 21, 2023**

(54) **SHOE**

(71) Applicant: **Converse Inc.**, Boston, MA (US)

(72) Inventor: **Alyssa Makere**, Boston, MA (US)

(73) Assignee: **Converse Inc.**, Boston, MA (US)

(**) Term: **15 Years**

(21) Appl. No.: **29/825,159**

(22) Filed: **Jan. 28, 2022**

(51) **LOC (14) Cl.** **02-04**

(52) **U.S. Cl.**

USPC **D2/947**

(58) **Field of Classification Search**

USPC D2/902, 906, 908, 916, 918, 925,
D2/946-962, 977

CPC A43B 13/00; A43B 13/02; A43B 13/023;
A43B 13/026; A43B 13/04; A43B 13/08;
A43B 13/10; A43B 13/12; A43B 13/14;
A43B 13/141; A43B 13/143; A43B
13/16; A43B 13/18; A43B 13/181; A43B
13/187; A43B 13/189; A43B 13/20; A43B
13/22; A43B 13/223; A43B 13/24; A43B
13/28; A43B 13/30; A43B 13/32; A43B
13/34; A43B 13/36

See application file for complete search history.

(56) **References Cited**

U.S. PATENT DOCUMENTS

D290,541 S	6/1987	O'Rourke	
D290,542 S	6/1987	O'Rourke	
D296,384 S *	6/1988	Tong	D2/955
D296,954 S	8/1988	Tong	
D297,592 S *	9/1988	Diaz	D2/957
D299,185 S *	1/1989	Selbiger	D2/959
D319,336 S *	8/1991	Mitsui	D2/960
D323,577 S *	2/1992	Kayano	D2/955
D327,770 S *	7/1992	Prats	D2/956

D367,161 S *	2/1996	Shea	D2/908
D401,745 S *	12/1998	Greenberg	D2/954
D423,201 S *	4/2000	Wilson	D2/947
D426,054 S *	6/2000	Mazars	D2/947
D447,323 S	9/2001	Cadet	
D449,426 S *	10/2001	Pollastrelli	D2/907
D473,047 S *	4/2003	Wilson	D2/977
D544,702 S	6/2007	Link	
D551,840 S *	10/2007	Avar	D2/972
D554,356 S *	11/2007	Avar	D2/972
D558,971 S	1/2008	Wu	
D560,336 S *	1/2008	Nakashima	D2/954
D575,035 S	8/2008	Hoyt	

(Continued)

OTHER PUBLICATIONS

Run Star Legacy CX, Converse.com, [online], [site visited Oct. 6, 2022]. <URL: https://www.converse.com/shop/p/run-star-legacy-cx-unisex-high-top-shoe/A00869C.html?dwvar_A00869C_color=black%2Fegret%2Fwhite&styleNo=A00869C&cgid=mens-shoes> (Year: 2022).*

(Continued)

Primary Examiner — Jonathan J Han

(74) *Attorney, Agent, or Firm* — Banner & Witcoff, Ltd.

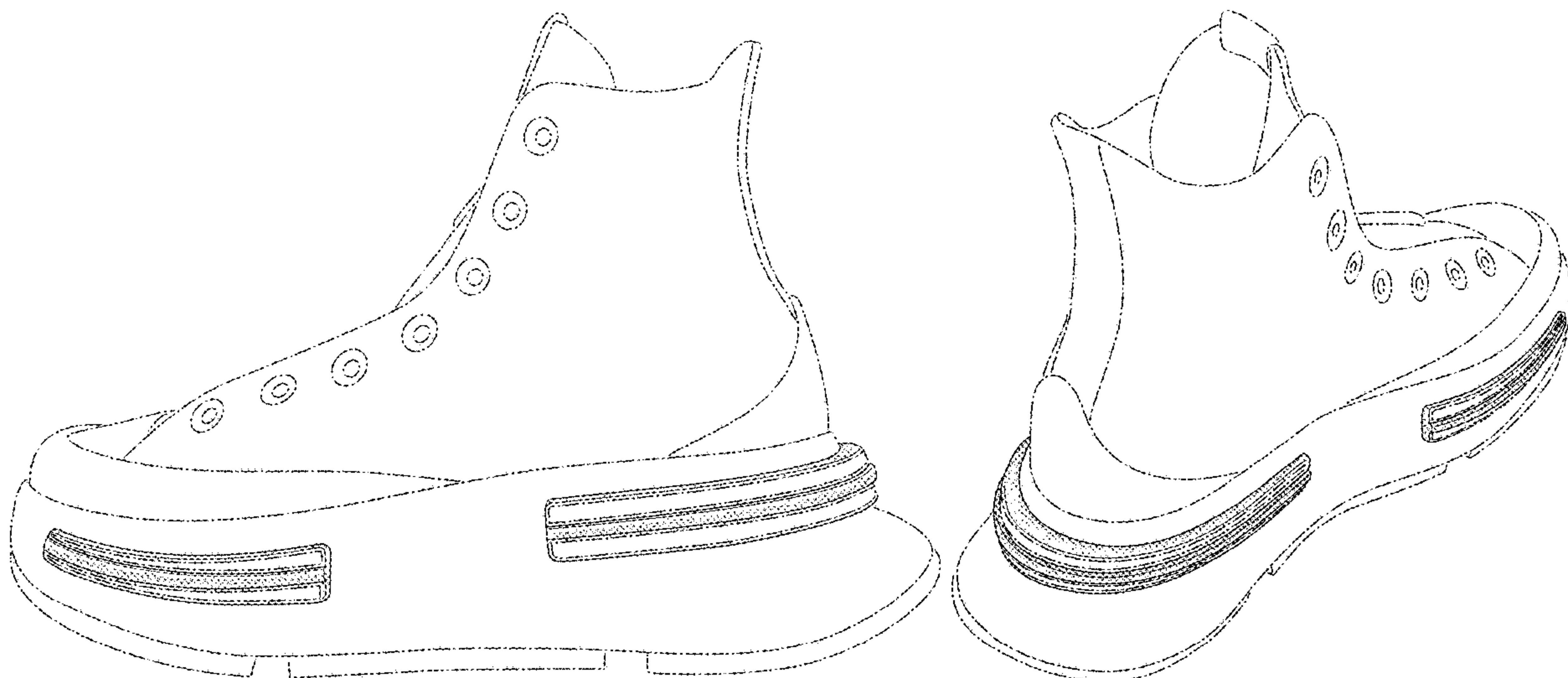
(57) **CLAIM**

The ornamental design for a shoe, as shown and described.

DESCRIPTION

FIG. 1 is a side view of a shoe showing my new design; FIG. 2 is a rear perspective view thereof; FIG. 3 is a rear view thereof; FIG. 4 is an opposite side rear perspective view thereof; and, FIG. 5 is an opposite side view thereof. The broken line showing of the unshaded regions within the shaded areas form no part of the claimed design. The broken lines depicting the remainder of the shoe form no part of the claimed design.

1 Claim, 5 Drawing Sheets



(56)

References Cited

U.S. PATENT DOCUMENTS

D577,180	S	9/2008	Della Valle	
D607,188	S	1/2010	Teteriatnikov	
D610,332	S	2/2010	Raichle	
D613,480	S *	4/2010	Lamont	D2/907
D615,738	S	5/2010	Teteriatnikov	
D621,142	S	8/2010	Teteriatnikov	
D625,088	S	10/2010	Teteriatnikov	
D625,492	S	10/2010	Teteriatnikov	
D640,862	S	7/2011	Teteriatnikov	
D643,189	S	8/2011	Teteriatnikov	
D643,603	S	8/2011	Teteriatnikov	
D680,720	S	4/2013	Smith et al.	
D680,726	S	4/2013	Propet	
D737,555	S	9/2015	Della Valle et al.	
D740,002	S	10/2015	Della Valle et al.	
D757,419	S *	5/2016	Spring	D2/977
D765,361	S *	9/2016	Johnsongriffin	D2/947
9,573,331	B2 *	2/2017	McDowell	A43B 1/0009
D782,790	S *	4/2017	Lee	D2/947
D789,051	S *	6/2017	Kuerbis	D2/947
D799,181	S *	10/2017	Klein	D2/947
D866,138	S	11/2019	Kanata	
D874,814	S	2/2020	Howe	
D876,766	S *	3/2020	Klein	D2/947
D905,937	S *	12/2020	Lee	D2/907
D907,342	S	1/2021	Odinot et al.	
D915,039	S *	4/2021	Hardman	D2/947
D915,745	S	4/2021	Little	
D932,748	S *	10/2021	Patillon	D2/908
D941,564	S *	1/2022	Street	D2/947
D943,247	S *	2/2022	Patillon	D2/943
D943,927	S *	2/2022	Gruben	D2/972
D951,612	S *	5/2022	Popovic	D2/947
D952,999	S *	5/2022	Guzman	D2/947
D959,110	S *	8/2022	Martin	D2/947

OTHER PUBLICATIONS

Converse Run Star Legacy Black White, Youtube.com, Aug. 17,

2022, Sole of House, [online], [site visited Oct. 6, 2022]. <URL: Converse Run Star Legacy Black White> (Year: 2022).*

Nike Footwear Catalog, 1987 Fall Footwear, p. 62, published Jan. 1987, Nike, Inc., USA.

Nike Footwear Catalog, 1996 Holiday Footwear, p. 6, published Mar. 1996, Nike, Inc., USA.

Nike Footwear Catalog, 1996 Late Spring Footwear, p. 102, published Mar. 1996, Nike, Inc., USA.

Nike Footwear Catalog, 1997 Late Spring Footwear, p. 8, published Mar. 1997, Nike, Inc., USA.

Nike Footwear Catalog, 2011 Fall Men's Sportswear Footwear, p. 21, published Feb. 2010, Nike, Inc., USA.

Nike Footwear Catalog, 2012 Fall Young Athletes Footwear, p. 15, published Nov. 2010, Nike, Inc., USA.

Nike Footwear Catalog, 2019 Fall Athletic Specialty_Mens Training, p. 788, published date unknown, but prior to the filing date of the present application, Nike, Inc., USA.

Nike Footwear Catalog, 2019 Fall Category Specialty_Running, p. 1172, published date unknown, but prior to the filing date of the present application, Nike, Inc., USA.

Nike Footwear Catalog, 2020 Fall Young Athlete, p. 1187, published date unknown, but prior to the filing date of the present application, Nike, Inc., USA.

Nike Footwear Catalog, 2021 Fall Running, p. 712, published date unknown, but prior to the filing date of the present application, Nike, Inc., USA.

"JW Anderson Made the Chuck Taylor an Absolute Unit"; GQ; retrieved Jan. 14, 2022; published Feb. 22, 2019; URL: <https://www.gq.com/story/sneaker-of-the-week-jw-anderson-converse-run-star-hike>.

"The Bold Run Star Hike is Back—This Time in a Color-Blocked Design"; Footwear News; retrieved Jan. 14, 2022; published Oct. 9, 2020; URL: <https://footwearnews.com/2020/focus/sneakers-deals/converse-run-star-hike-sneakers-release-info-1203064921/>.

"Nike Legend React 2"; RunningXpert.com; retrieved Jan. 14, 2022; published date unknown, but prior to application filing date; URL: <https://www.runningxpert.com/en/nike-men-s-legend-react-2.html>.

* cited by examiner

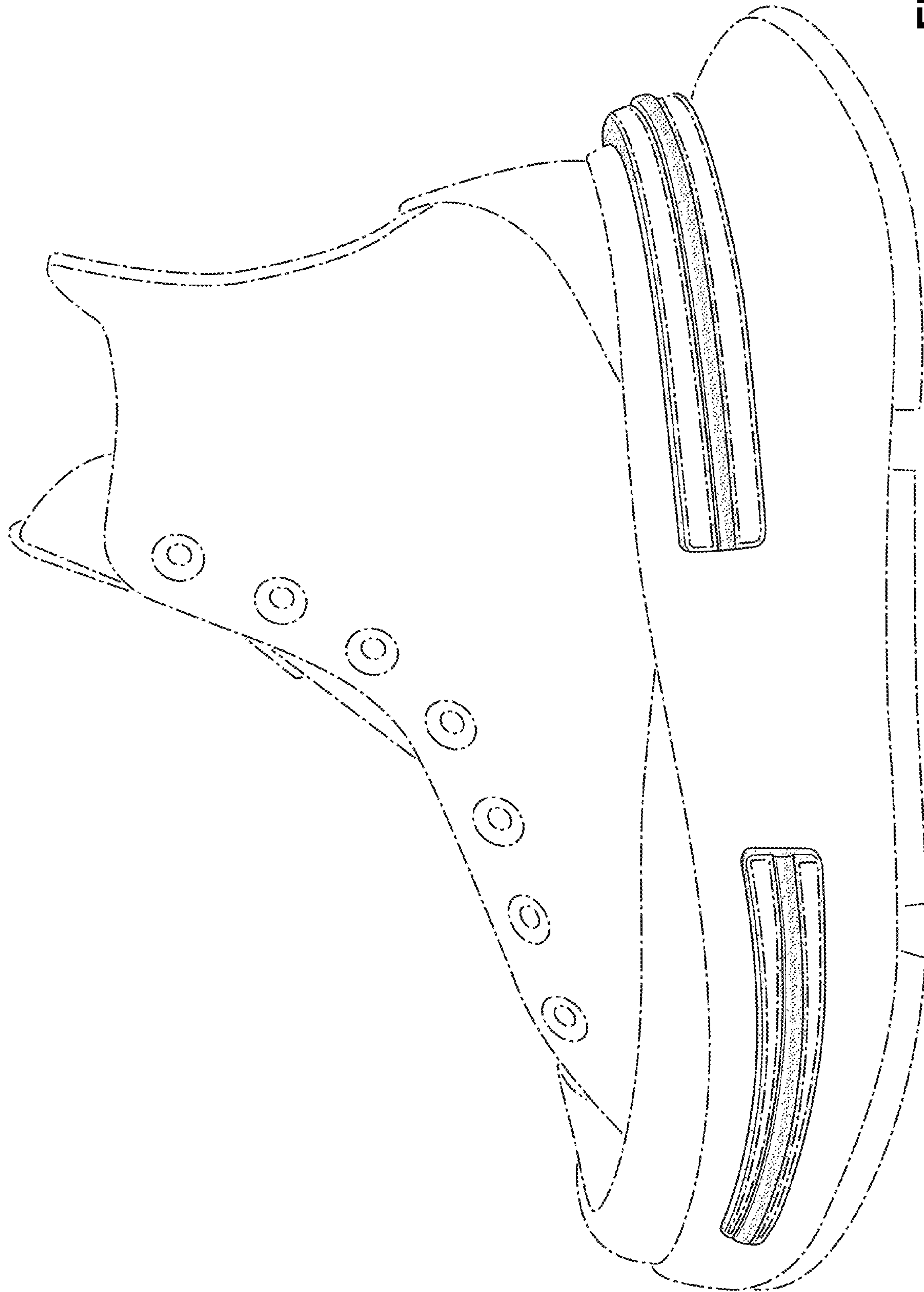


FIG. 1

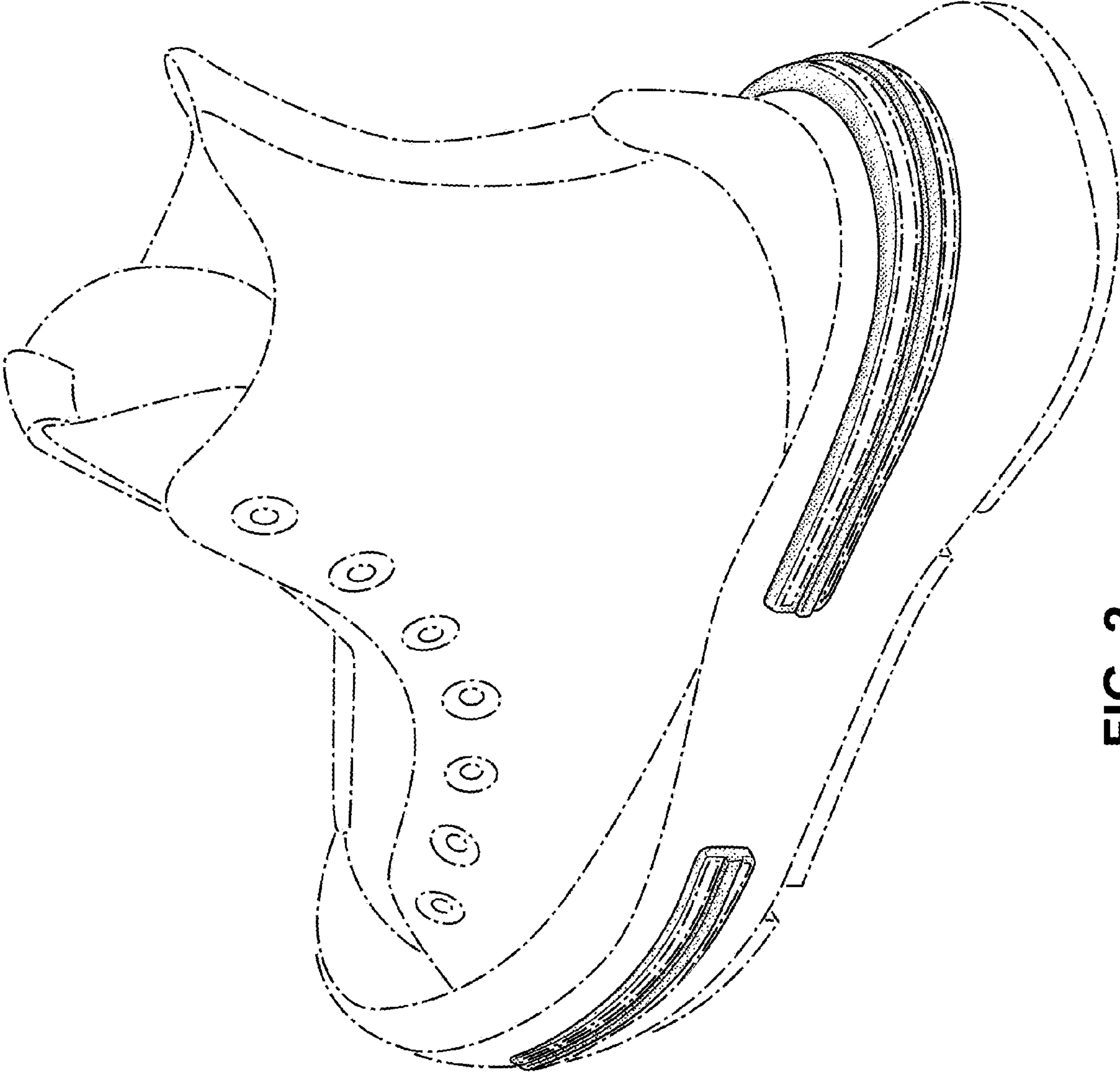


FIG. 2

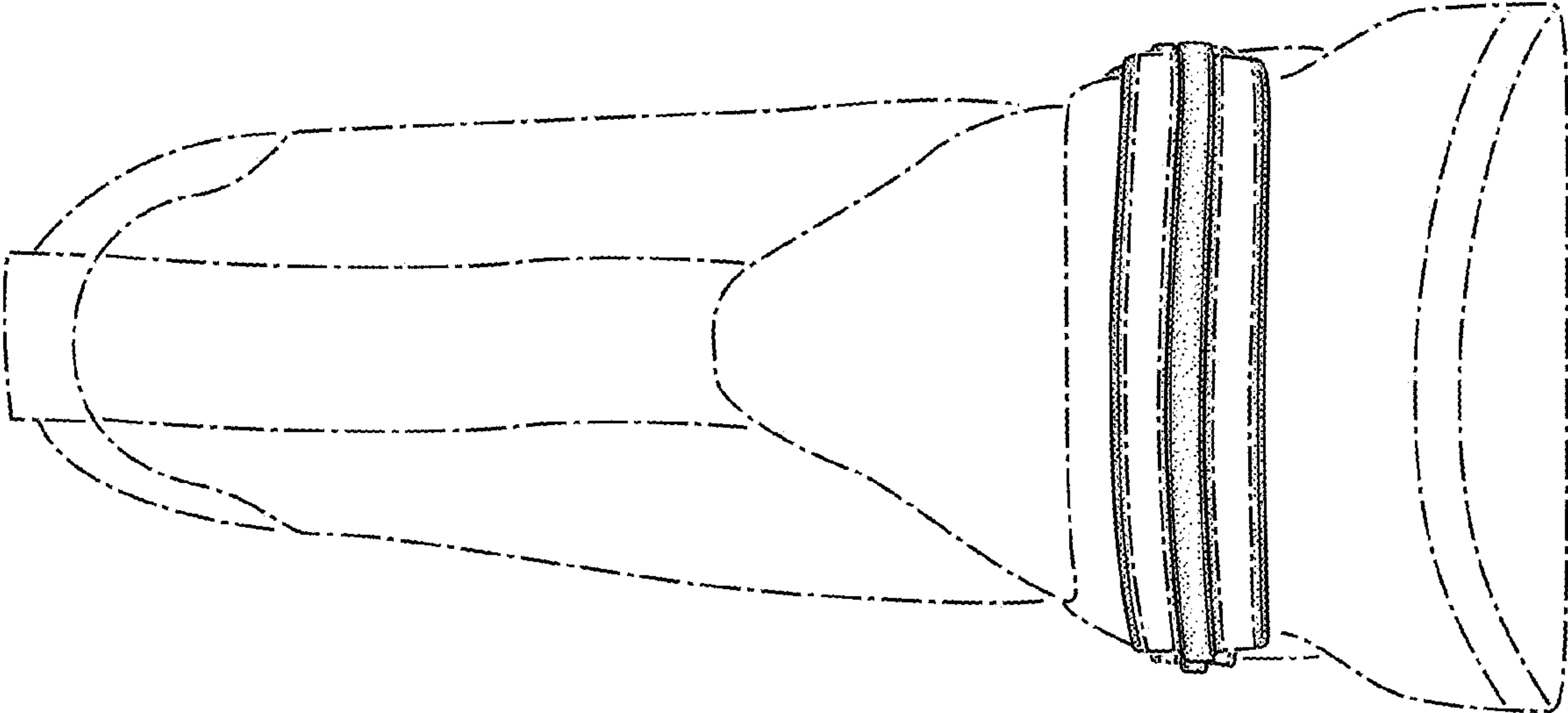


FIG. 3

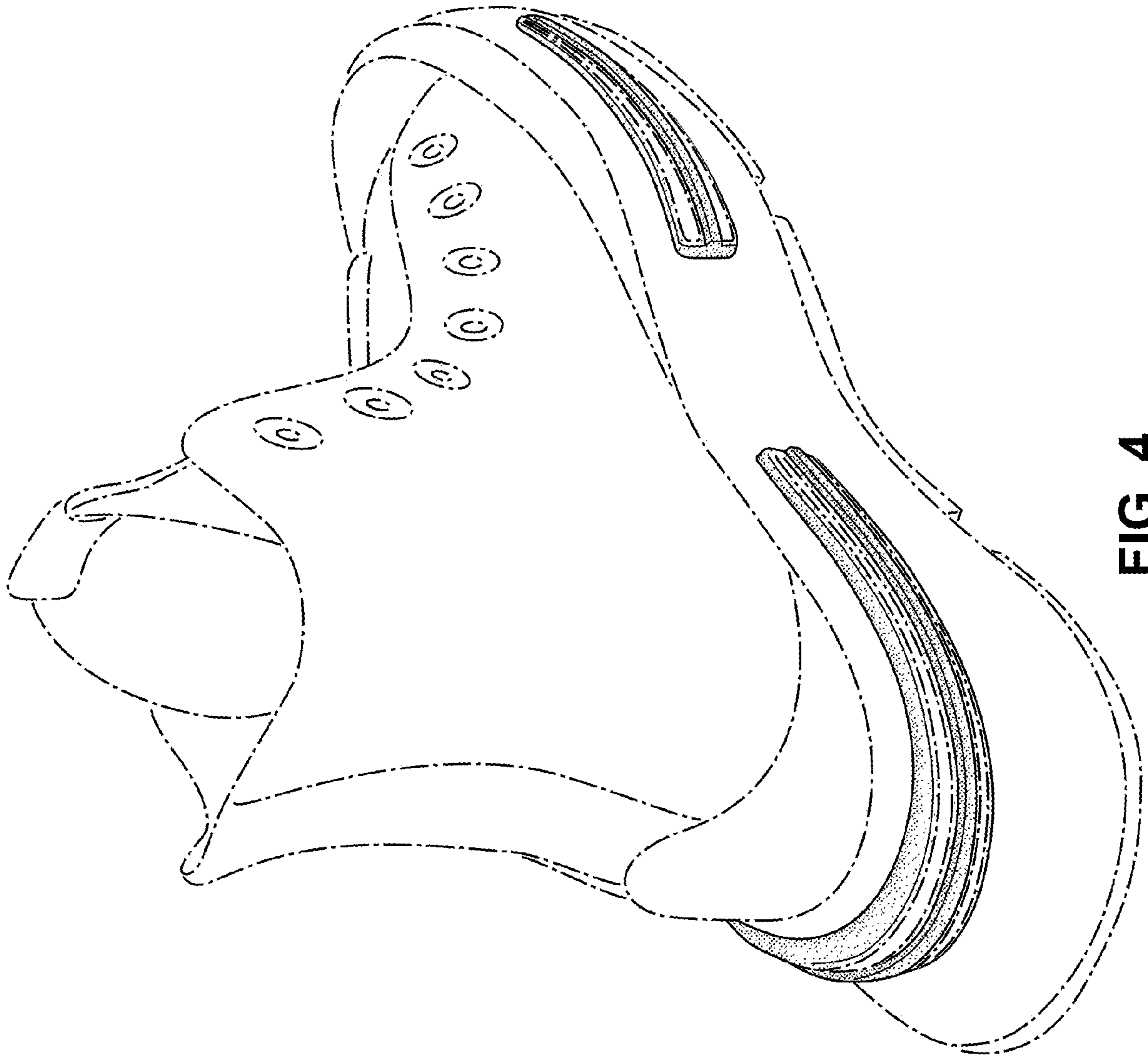


FIG. 4

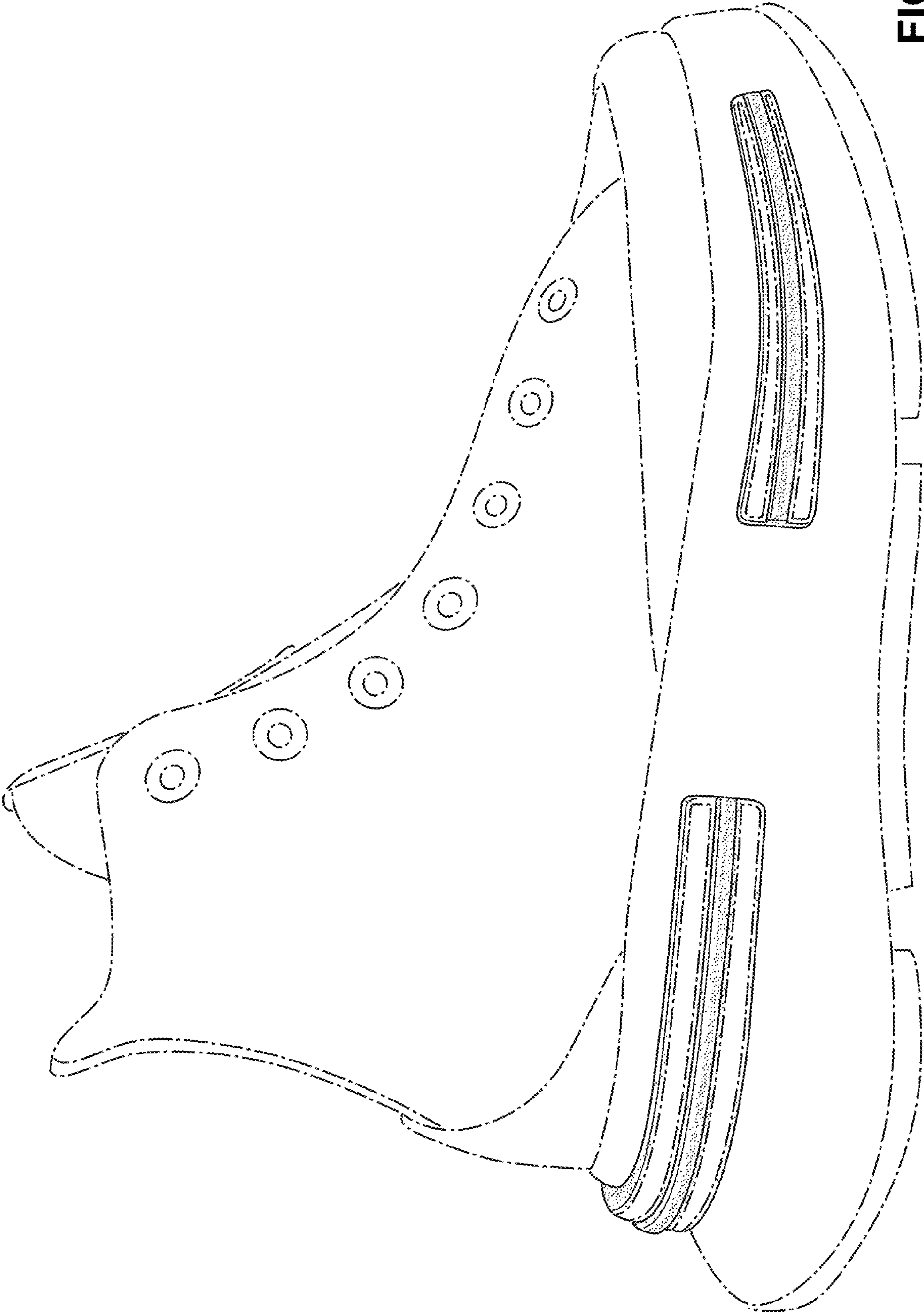


FIG. 5