



US00D978492S

(12) **United States Design Patent**
Wang

(10) **Patent No.:** **US D978,492 S**
(45) **Date of Patent:** **** Feb. 21, 2023**

(54) **VR SHOE SLEEVE**
(71) Applicant: **HANGZHOU VIRTUAL AND REALITY TECHNOLOGY CO., LTD.**, Hangzhou (CN)
(72) Inventor: **Bo Wang**, Hangzhou (CN)
(73) Assignee: **HANGZHOU VIRTUAL AND REALITY TECHNOLOGY CO., LTD.**, Hangzhou (CN)

1,437,376 A * 11/1922 Young E06C 7/18
36/72 A
1,487,390 A * 3/1924 King A43C 15/066
36/7.6
2,685,141 A * 8/1954 Davenport A43C 15/02
D2/962
D192,210 S * 2/1962 Webster D2/916
(Continued)

(**) Term: **15 Years**

(21) Appl. No.: **29/843,222**

(22) Filed: **Jun. 19, 2022**

(30) **Foreign Application Priority Data**

Jun. 7, 2022 (CN) 202230342440.0

(51) **LOC (14) Cl.** **02-04**

(52) **U.S. Cl.**
USPC **D2/946; D14/419**

(58) **Field of Classification Search**
USPC D2/896, 900, 904, 905, 906, 907, 909,
D2/910, 913, 914, 915, 916, 918, 925,
D2/929, 943, 946, 947, 962, 972;
D21/324, 325, 326, 333
CPC A43B 3/00; A43B 3/0036; A43B 3/10;
A43B 5/00; A43B 7/00; A43C 13/00;
A43C 13/02; A43C 13/12; A43C 15/06;
A43C 15/061; A43C 15/063; A63F
2300/8082; A63F 13/98; A63F 7/0688;
G02B 27/0176

See application file for complete search history.

(56) **References Cited**

U.S. PATENT DOCUMENTS

1,142,854 A * 6/1915 Slocum A43B 5/18
36/7.5
1,386,028 A * 8/1921 Roe A43C 15/063
D2/962

FOREIGN PATENT DOCUMENTS

EM 009054778-0001 * 6/2022

OTHER PUBLICATIONS

8 Best Men's Sandals for Supremely Comfortable Walking 2021,
First available: Jul. 25, 2020 [online], [visited: Sep. 7, 2022]
Available from the internet URL: https://www.youtube.com/watch?v=_JEudy-weUM (Year: 2020).*

(Continued)

Primary Examiner — Jonathan J Han
Assistant Examiner — Jeff Lenard D Torres

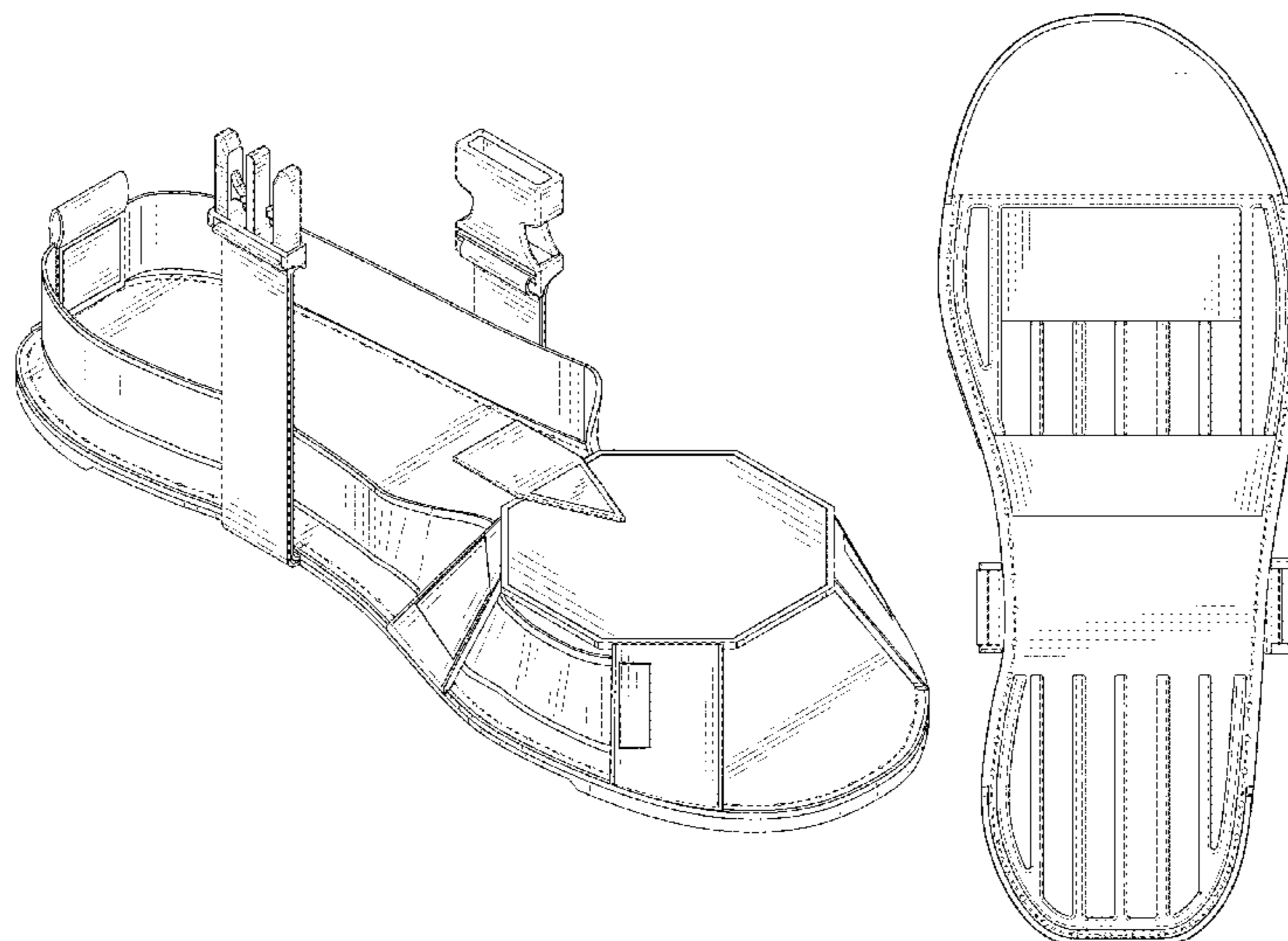
(57) **CLAIM**

The ornamental design for a VR shoe sleeve, as shown and described.

DESCRIPTION

FIG. 1 is a perspective view of a VR shoe sleeve showing my new design;
FIG. 2 is another perspective view thereof;
FIG. 3 is a front elevational view thereof;
FIG. 4 is a rear elevational view thereof;
FIG. 5 is a left side elevational view thereof;
FIG. 6 is a right side elevational view thereof;
FIG. 7 is a top plan view thereof; and,
FIG. 8 is a bottom plan view thereof.
The broken lines in the drawings depict stitching and form no part of the claimed design.

1 Claim, 8 Drawing Sheets



(56)

References Cited

U.S. PATENT DOCUMENTS

3,229,389 A * 1/1966 Adams A43C 15/063
D2/962
4,299,037 A * 11/1981 Carey A43C 15/06
36/62
D293,160 S * 12/1987 Le Droit D2/962
D299,285 S * 1/1989 Watson D2/962
D300,684 S * 4/1989 Turner D2/914
D313,111 S * 12/1990 McKinsty D2/962
D321,086 S * 10/1991 Klingseis D2/914
D334,460 S * 4/1993 Roden D2/914
5,341,582 A * 8/1994 Liataud A43C 15/06
36/62
D361,424 S * 8/1995 Medina D2/914
D362,108 S * 9/1995 Leighton D2/914
D377,710 S * 2/1997 Poust D2/914
D394,740 S * 6/1998 Poust D2/909
D479,905 S * 9/2003 Wright D2/962
6,742,286 B2 * 6/2004 Giovale A43C 15/061
36/97
D552,834 S 10/2007 Hannah
D598,184 S * 8/2009 Norton D2/896
D628,372 S * 12/2010 Bell D2/962
D649,334 S * 11/2011 Terry D2/909
D662,291 S * 6/2012 Helmstadt D2/909

D670,491 S 11/2012 Ko et al.
D718,920 S * 12/2014 Jones D2/946
D780,422 S * 3/2017 Barrow D2/962
D840,644 S * 2/2019 Pang D2/962
D863,737 S * 10/2019 Goetgeluk D2/909
D863,738 S * 10/2019 Goetgeluk D2/909
D878,012 S * 3/2020 Goetgeluk D2/909
D887,684 S * 6/2020 Goetgeluk D2/909
10,798,987 B2 * 10/2020 Silvester A43B 3/0036
D901,138 S * 11/2020 Delong D2/946
2011/0242316 A1 * 10/2011 Guerrero G06F 1/163
340/407.1
2018/0326286 A1 * 11/2018 Rathi A43B 5/1641
2022/0211140 A1 * 7/2022 Vasilev A43B 3/36

OTHER PUBLICATIONS

Cybershoes Review—A Good First Step For Movement In VR,
First available: Oct. 30, 2018 [online], [visited: Sep. 7, 2022]
Available from the internet URL: <https://www.youtube.com/watch?v=KCbDuy9DY0w> (Year: 2018).*
The Taclim VR Boots Want You To Kick The Future In The Face,
First available: Jan. 5, 2017 [online], [visited: Sep. 7, 2022] Avail-
able from the internet URL: <https://uploadvr.com/vr-boots-want-kick-future-face/> (Year: 2017).*

* cited by examiner

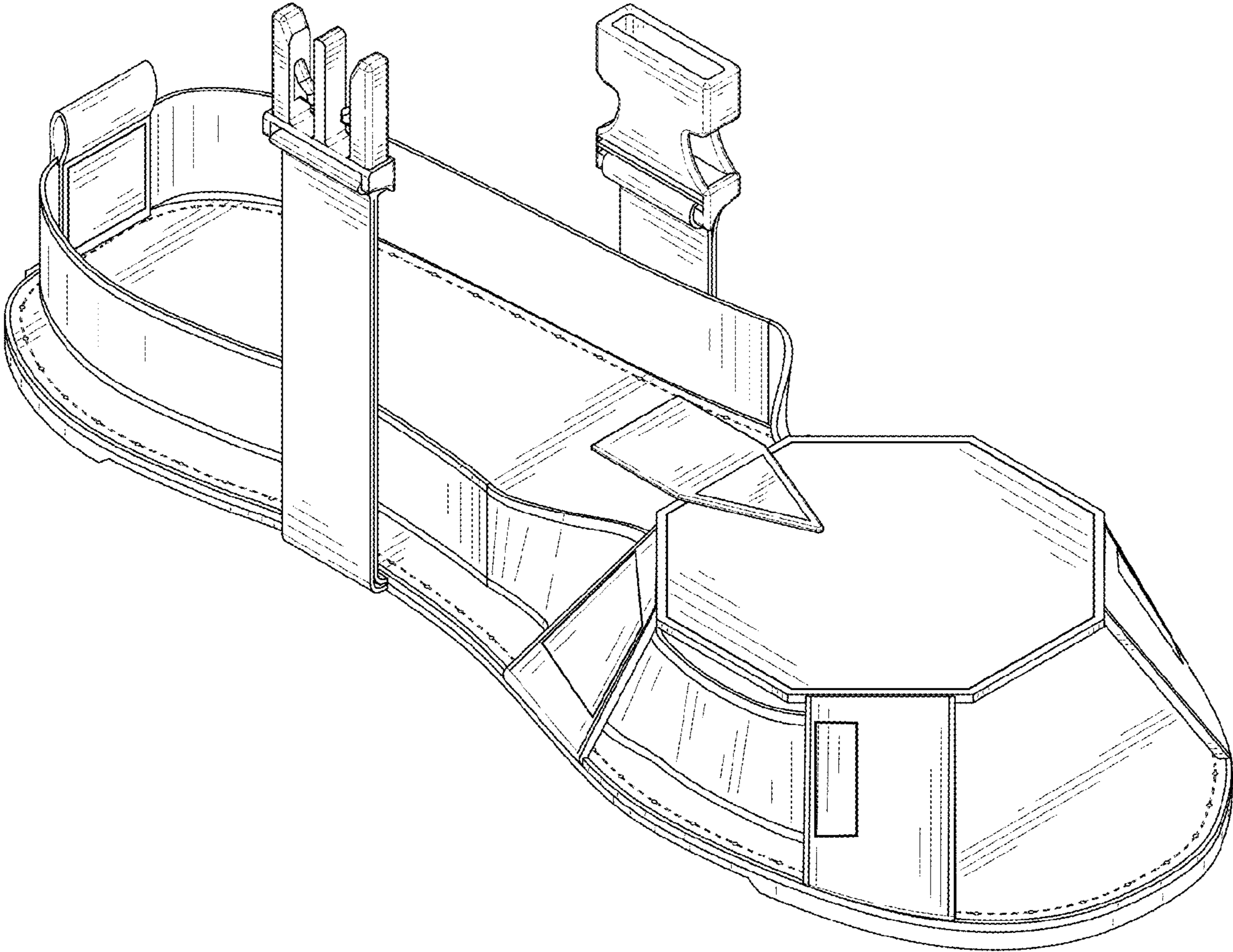


FIG. 1

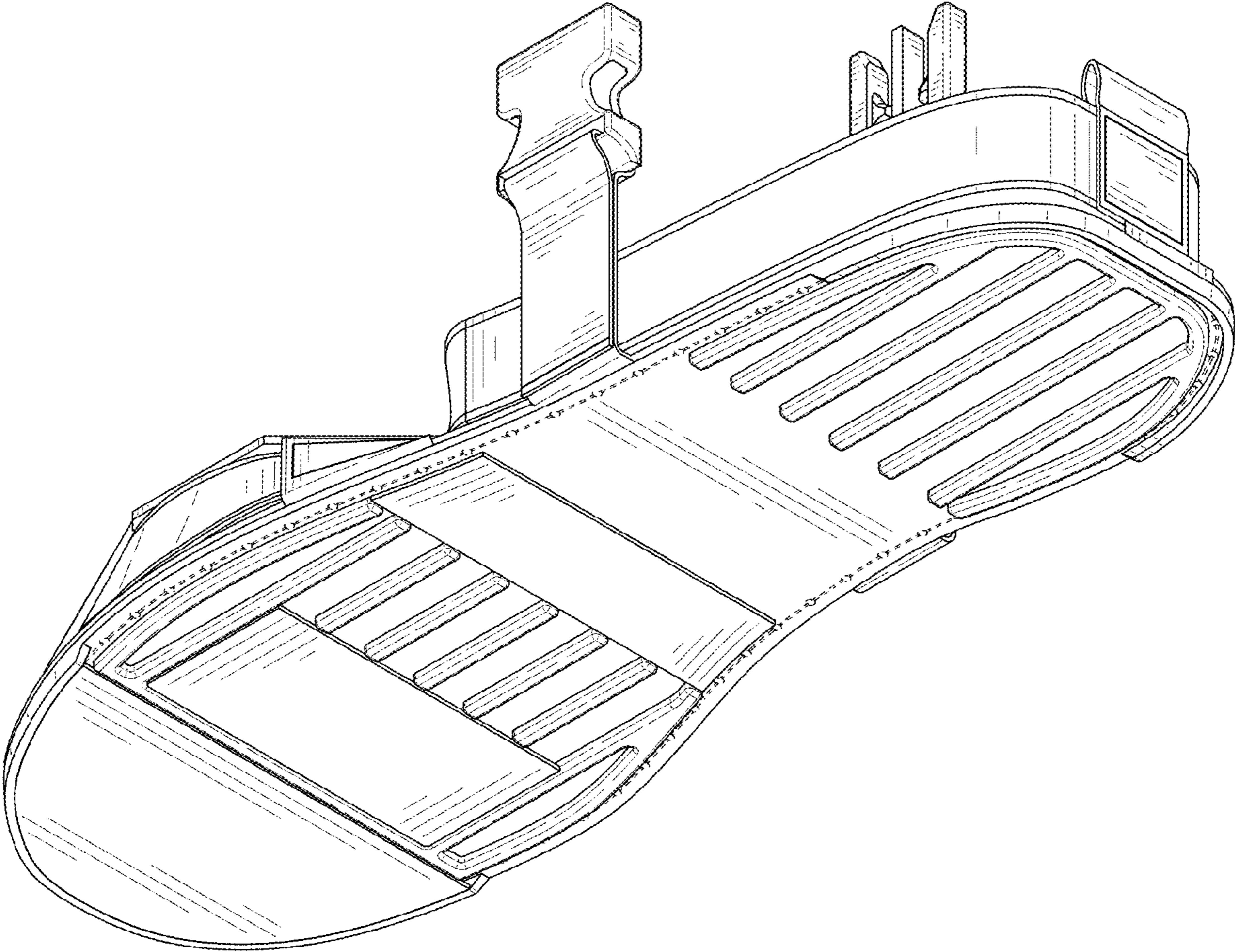


FIG. 2

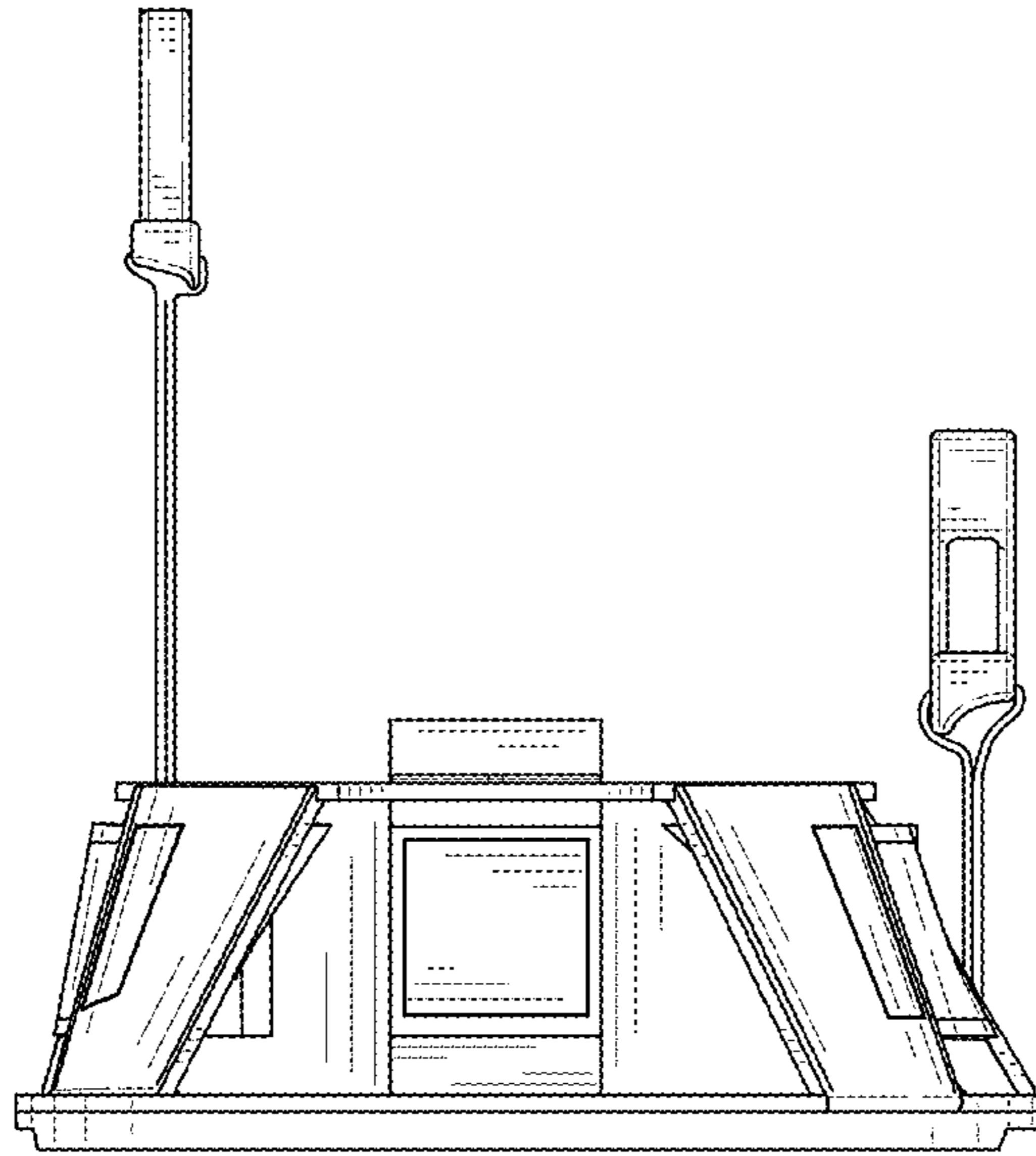


FIG. 3

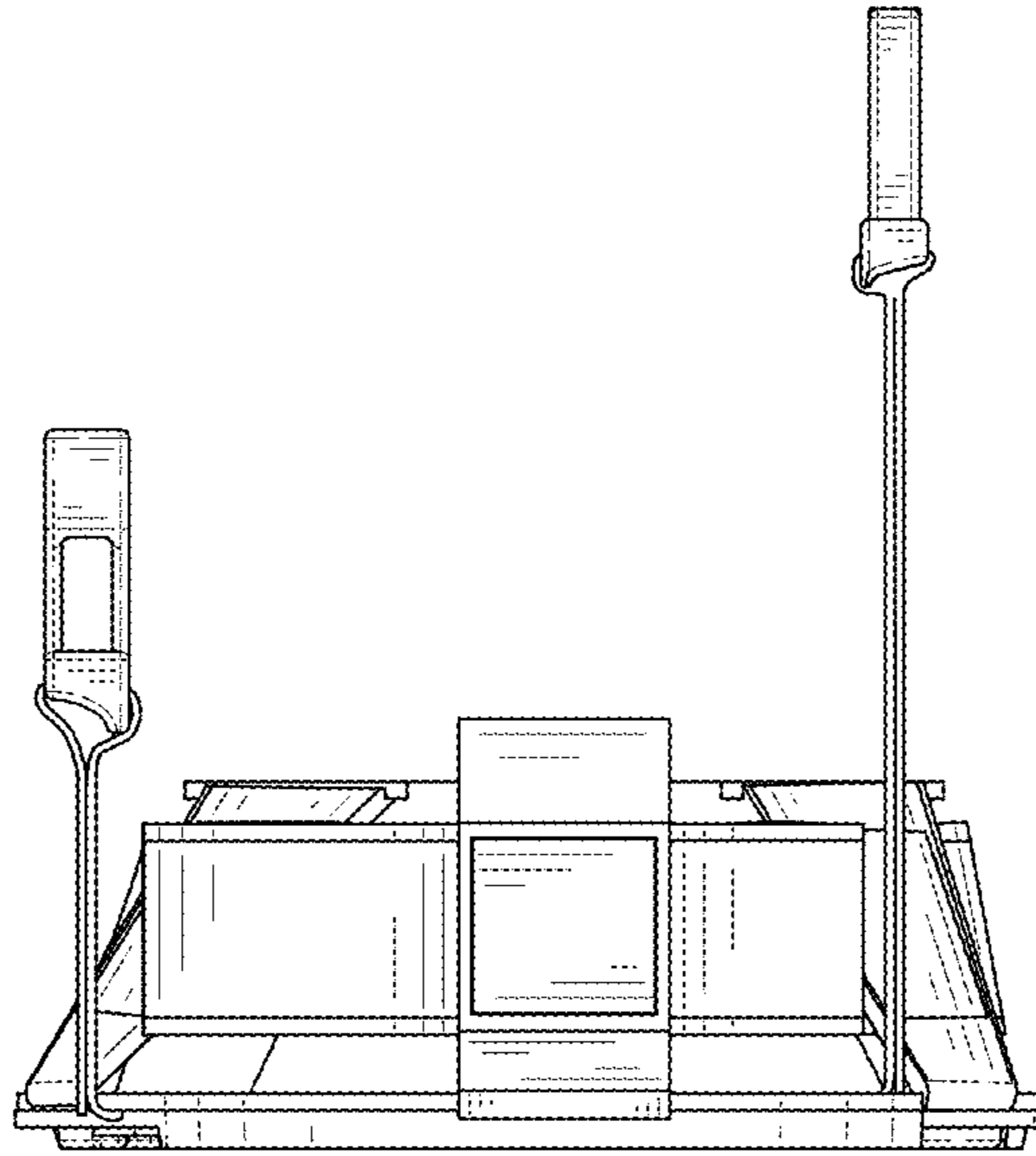


FIG. 4

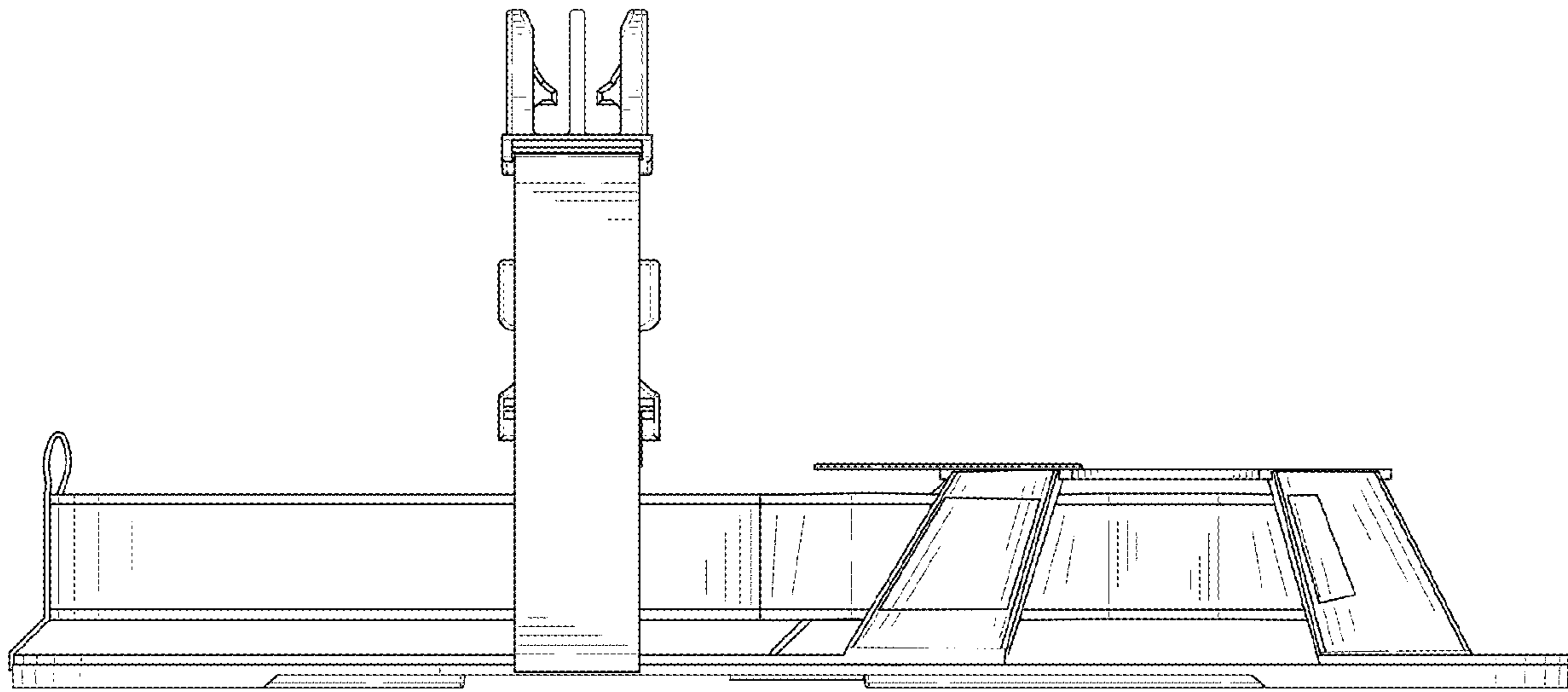


FIG. 5

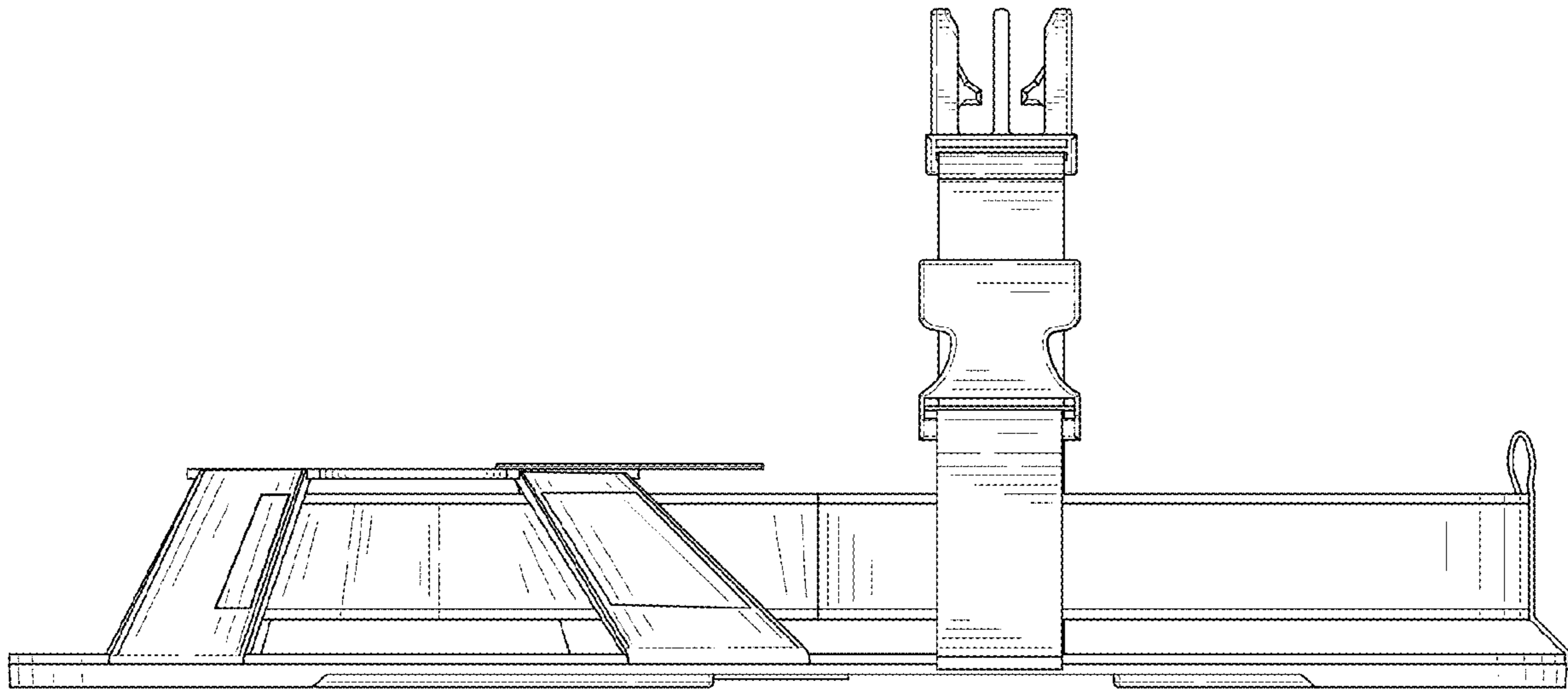


FIG. 6

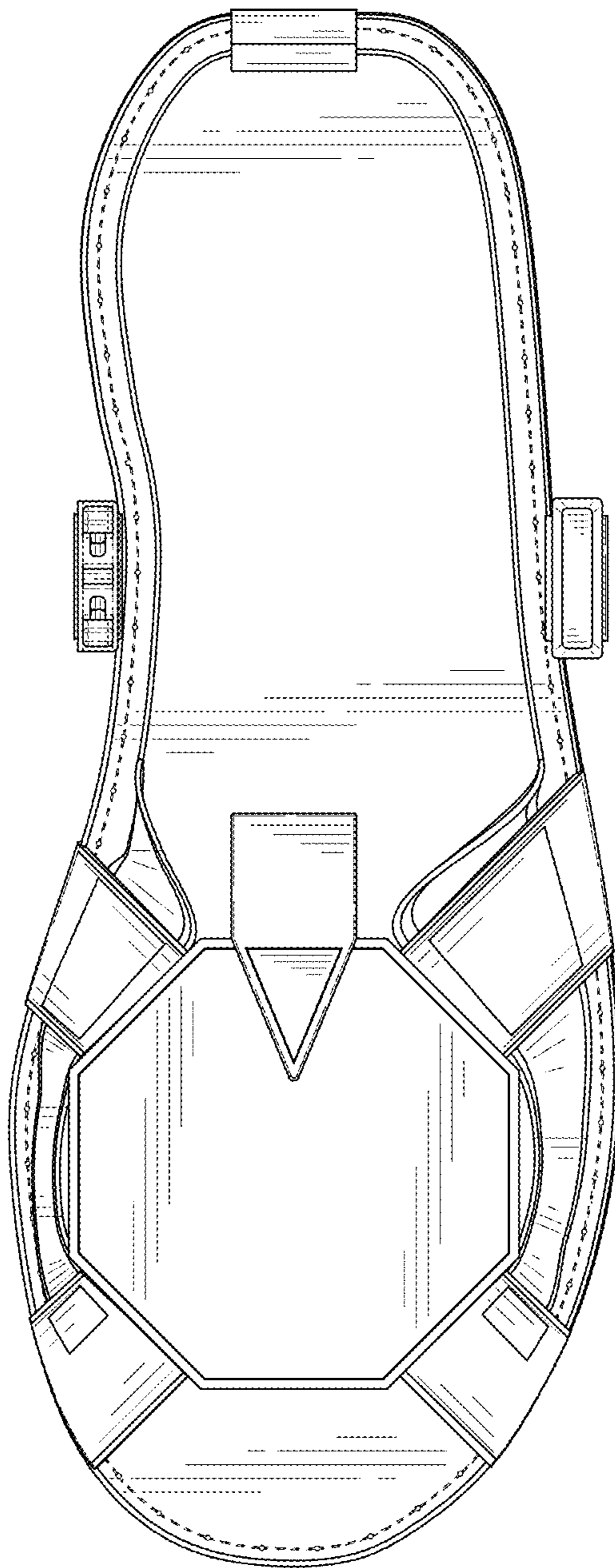


FIG. 7

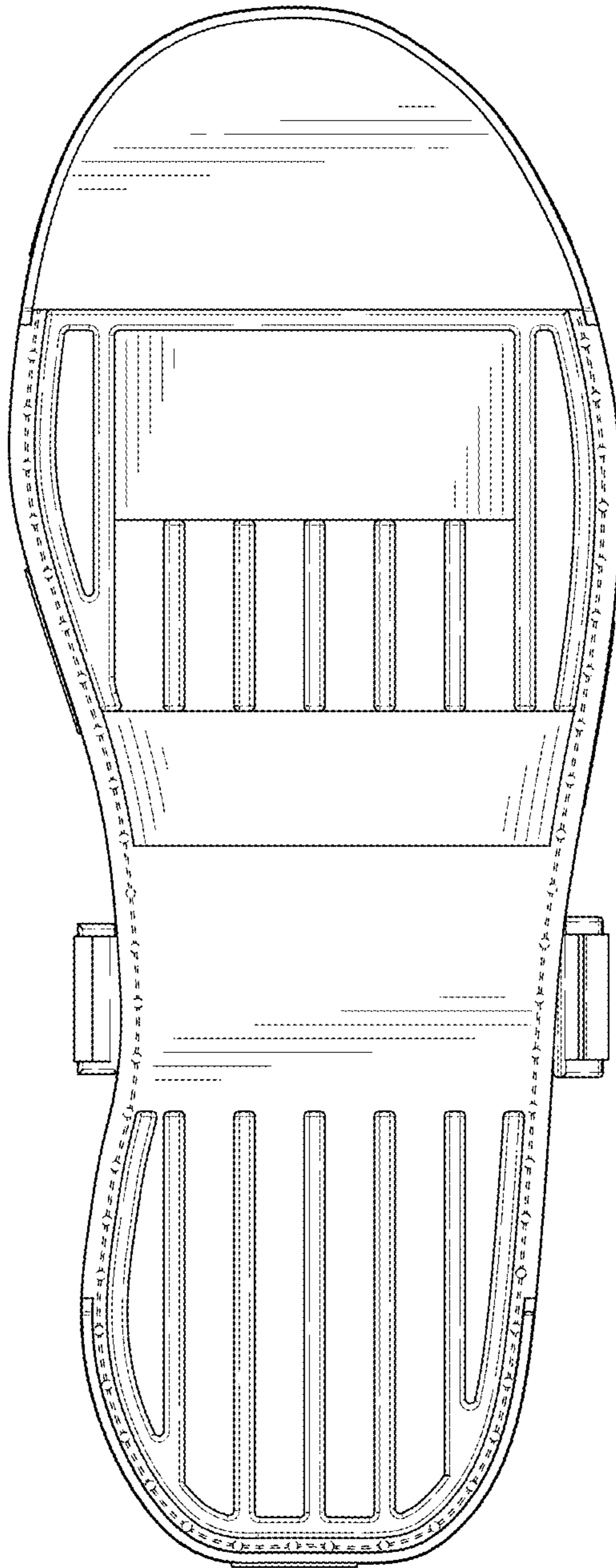


FIG. 8