



US00D978486S

(12) **United States Design Patent** (10) **Patent No.:** **US D978,486 S**
Wise (45) **Date of Patent:** **** *Feb. 21, 2023**

(54) **HEAD AND NECK SUPPORT PILLOW WITH HOOD AND VEIL**

FOREIGN PATENT DOCUMENTS

(71) Applicant: **Annette Wise**, Los Angeles, CA (US)

CN 204950333 9/2015
CN 205094051 10/2015

(72) Inventor: **Annette Wise**, Los Angeles, CA (US)

(Continued)

(*) Notice: This patent is subject to a terminal disclaimer.

Primary Examiner — Jasmine Mlinarcik

(**) Term: **15 Years**

(74) *Attorney, Agent, or Firm* — Milord A. Keshishian

(21) Appl. No.: **29/707,373**

(57) **CLAIM**

The ornamental design for a head and neck support pillow with hood and veil, as shown and described.

(22) Filed: **Sep. 27, 2019**

DESCRIPTION

(51) **LOC (14) Cl.** **02-03**

(52) **U.S. Cl.**
USPC **D2/866**

(58) **Field of Classification Search**
USPC D2/865, 866, 867, 868, 870, 874, 877,
D2/878, 880, 881, 883, 889; D6/601
CPC A41D 23/00; A41G 5/0093; A42B 1/00;
A42B 1/02; A42B 1/04; A42B 1/041;
A42B 1/061; A42B 1/066; A42B 1/201;
A42B 1/06; A45D 8/40; A45D 19/18;
A45D 20/18

See application file for complete search history.

FIG. 1 is a front perspective view showing the head and neck support pillow with hood and veil, where the veil is secured under the hood;

FIG. 2 is a front elevational view thereof;

FIG. 3 is a rear elevational view thereof;

FIG. 4 is a left side elevational view thereof;

FIG. 5 is a right side elevational view thereof;

FIG. 6 is a top plan view thereof;

FIG. 7 is a bottom plan view thereof;

FIG. 8 is a front perspective view thereof showing the invention as it appears when worn where the veil is secured under the hood;

FIG. 9 is a front perspective view showing the invention with the veil unsecured from under the hood; and,

FIG. 10 is a front perspective view showing the invention as it appears when worn with the veil.

The partial human figure outlined by broken lines assists in illustrating the claimed design in a position of use, but forms no part of the claimed design. The appearance of any portion of the article between the symbolic break lines defined by broken lines forms no part of the claimed design. The broken lines of the head and neck support pillow with hood and veil depict portions of the head and neck support pillow with hood and veil that form no part of the claimed design.

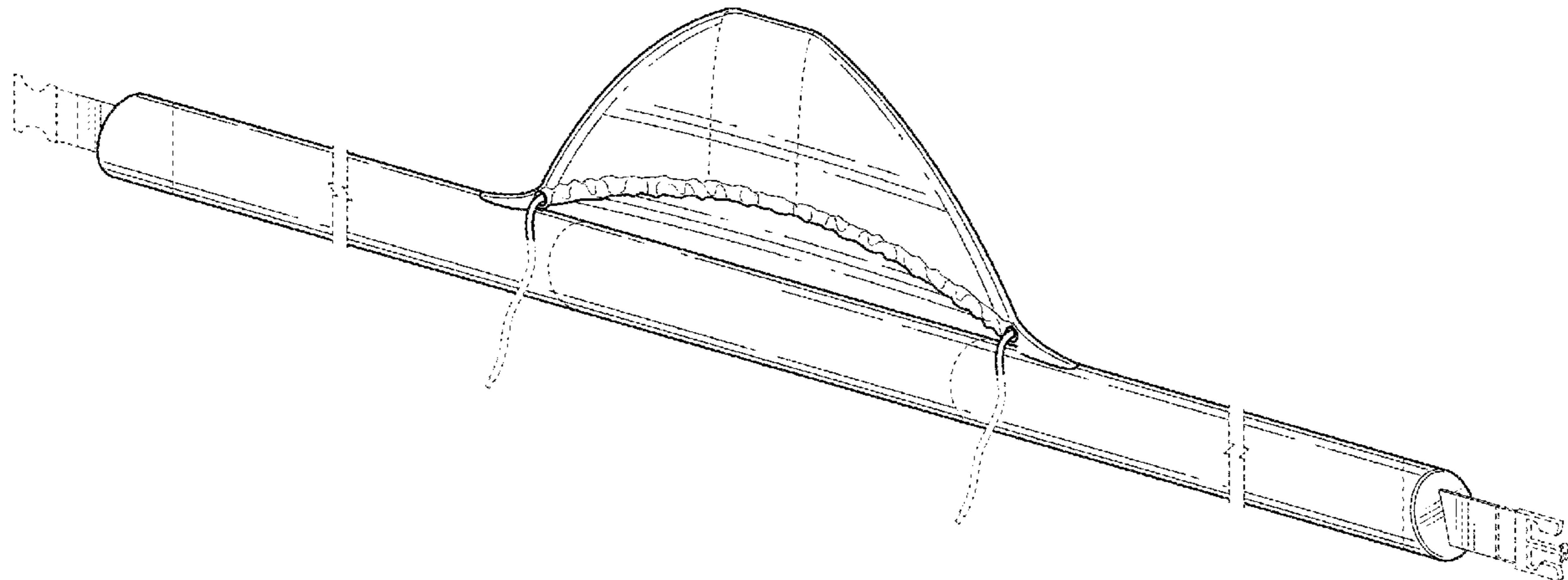
(56) **References Cited**

U.S. PATENT DOCUMENTS

D171,903 S * 4/1954 Litwin D2/880
5,628,070 A * 5/1997 Kefelian A45D 44/12
2/174
6,425,138 B1 7/2002 Johnson
D472,367 S * 4/2003 Maya D2/880
6,651,256 B1 11/2003 Swift
6,735,783 B2 * 5/2004 Phillips A42B 1/041
2/202
D523,679 S * 6/2006 Illingworth D6/601
D619,402 S * 7/2010 Sternlight D6/601
D621,591 S * 8/2010 Gloege D2/880

(Continued)

1 Claim, 9 Drawing Sheets



(56)

References Cited

U.S. PATENT DOCUMENTS

D629,180 S * 12/2010 Hood D2/880
D668,842 S 10/2012 Lumpkin
D693,096 S 11/2013 Russo
8,990,980 B1 3/2015 Hindley
9,326,559 B2 * 5/2016 Roban A42B 1/048
D792,682 S * 7/2017 Diamond D2/880
D896,001 S * 9/2020 Estorco D6/601
2010/0043117 A1 2/2010 Hildebrandt
2018/0360242 A1 12/2018 Doty
2019/0289947 A1 * 9/2019 Baylor A42B 1/041
2020/0100551 A1 * 4/2020 Lee A42B 1/041

FOREIGN PATENT DOCUMENTS

CN 205682546 5/2016
CN 206491607 10/2016
CN 208550843 4/2018
DE 202014002010 U1 5/2014
DE 202016001161 U1 3/2016
KR 101551579 B1 9/2015

* cited by examiner

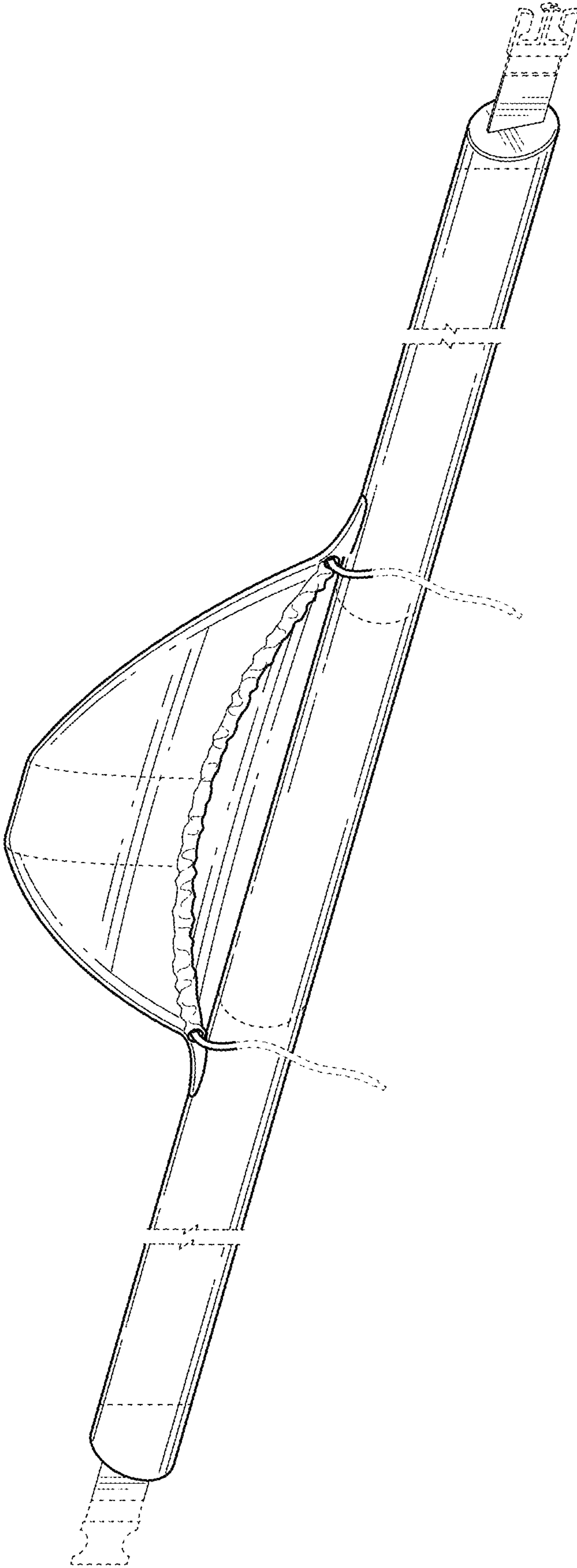


FIG. 1

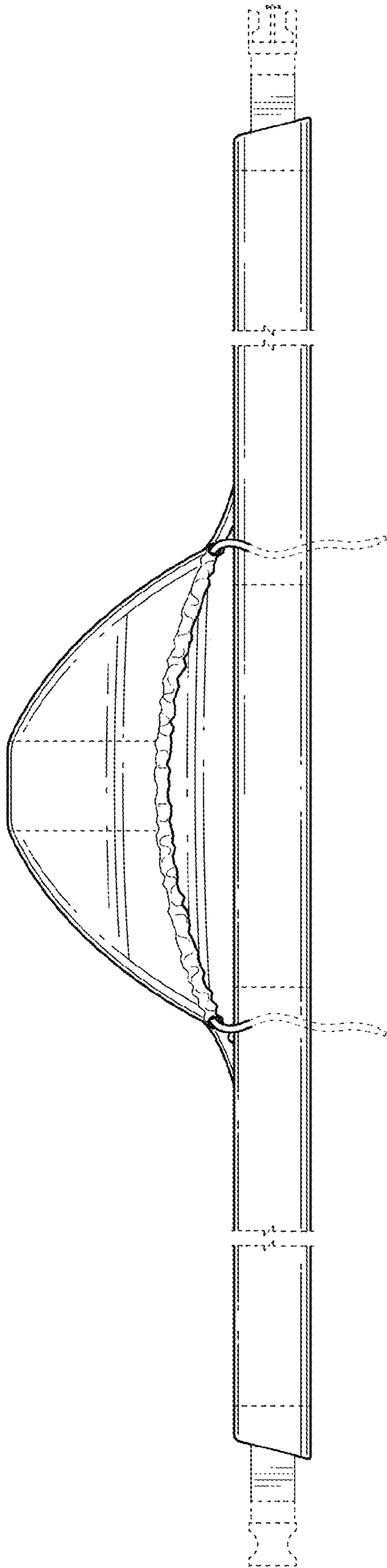


FIG. 2

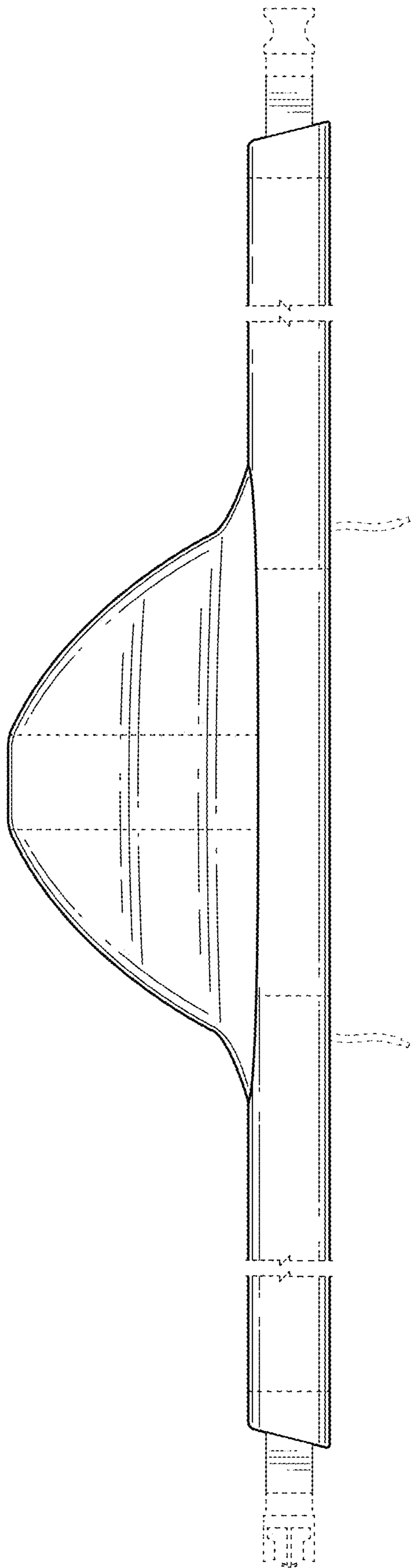


FIG. 3

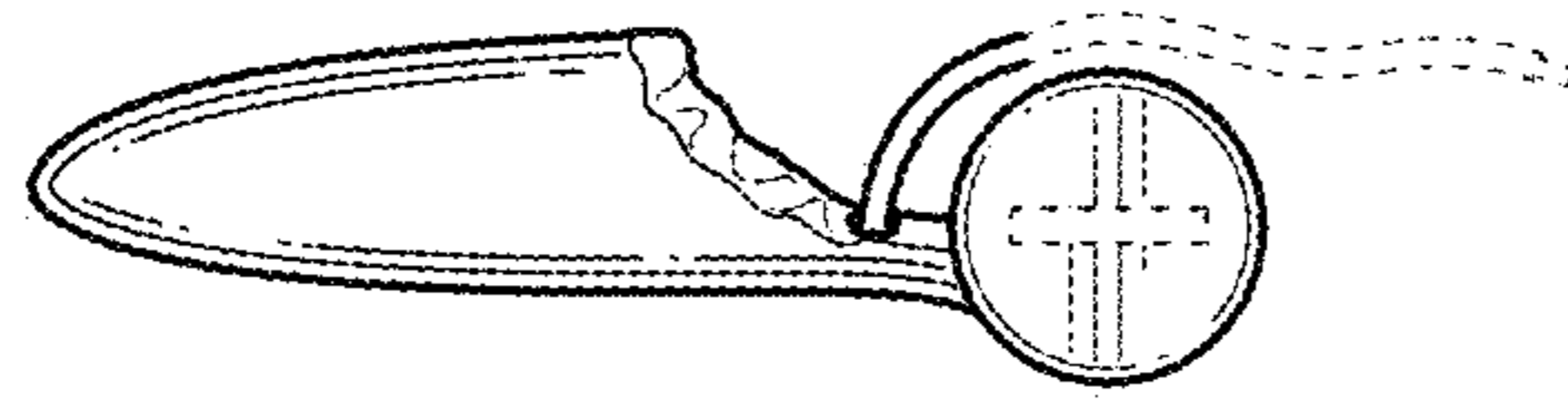


FIG. 5

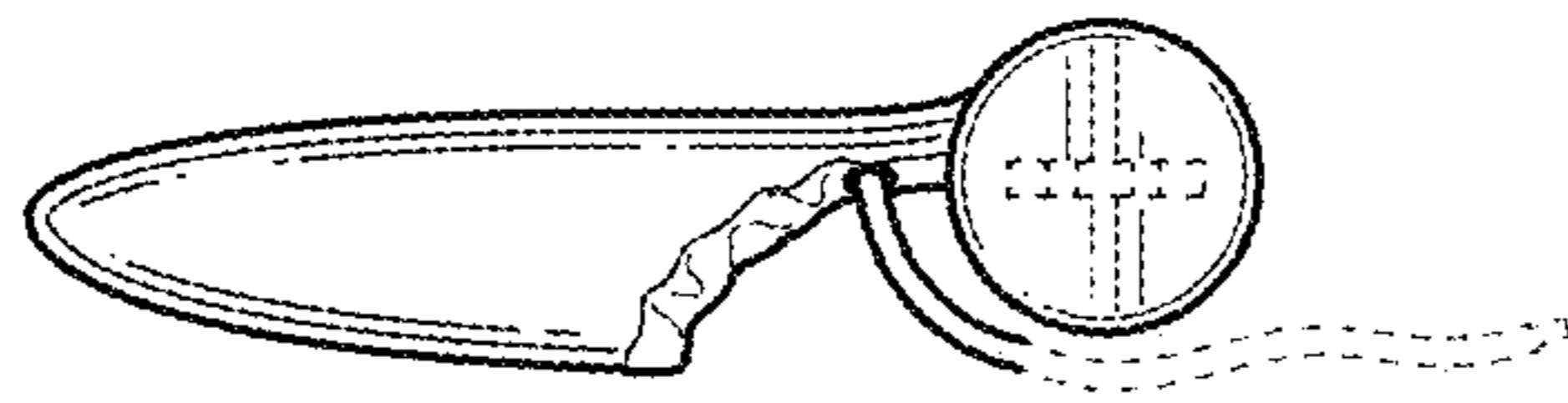


FIG. 4

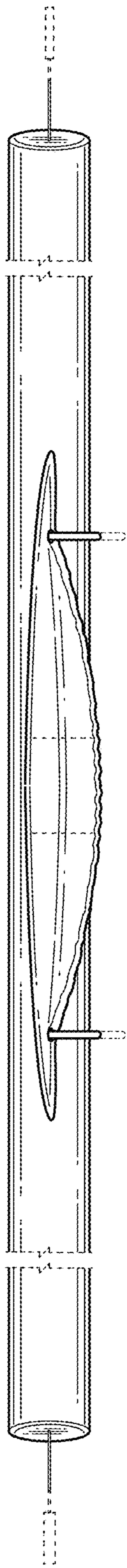


FIG. 6

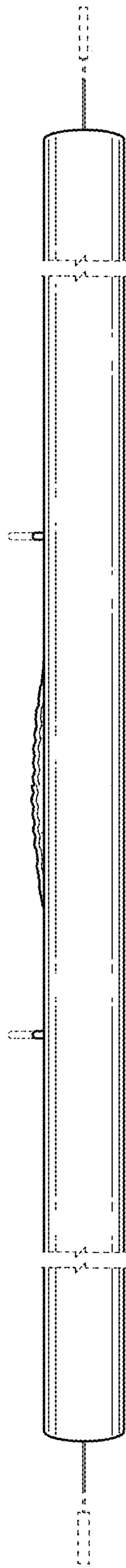


FIG. 7

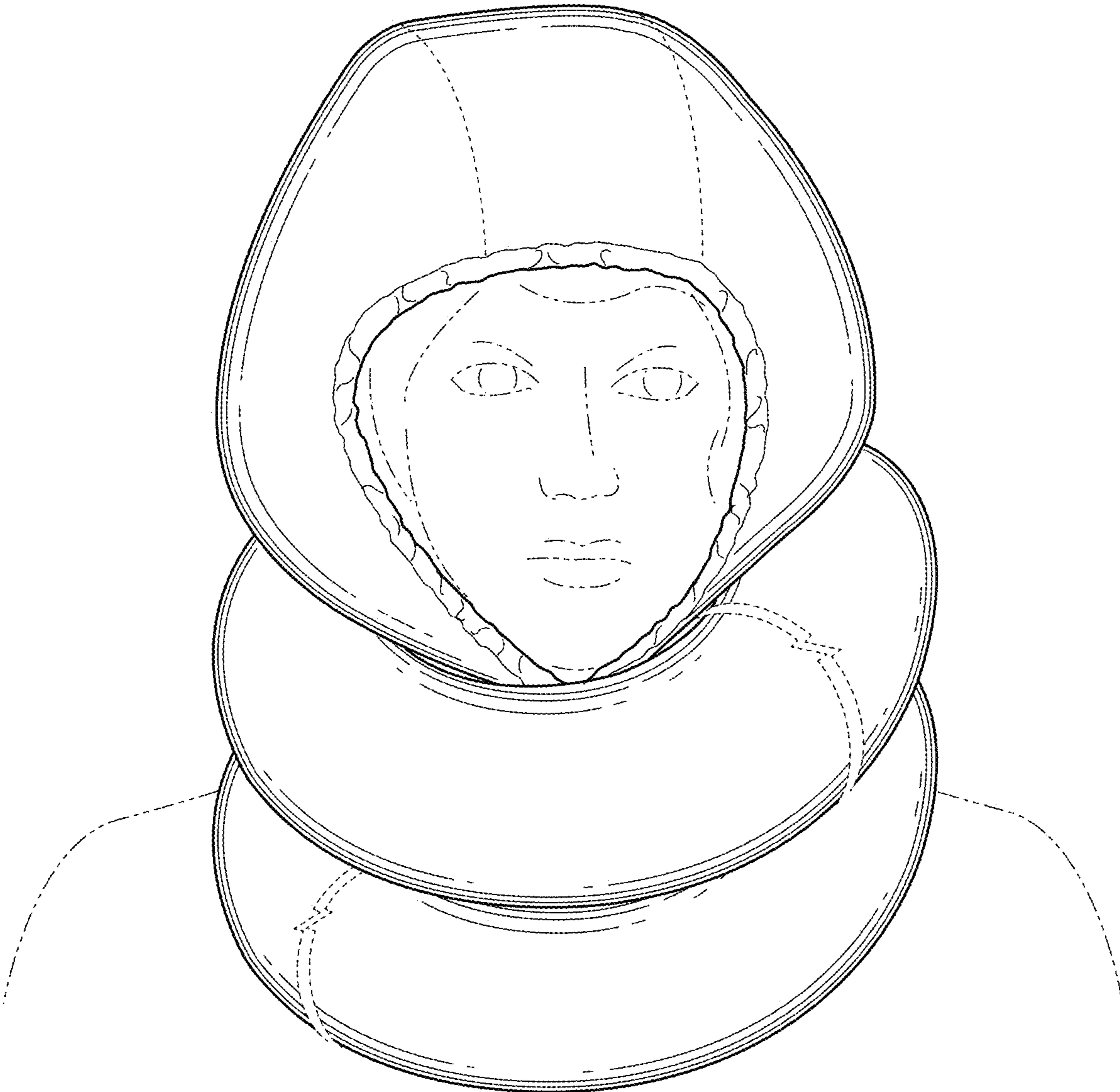


FIG. 8

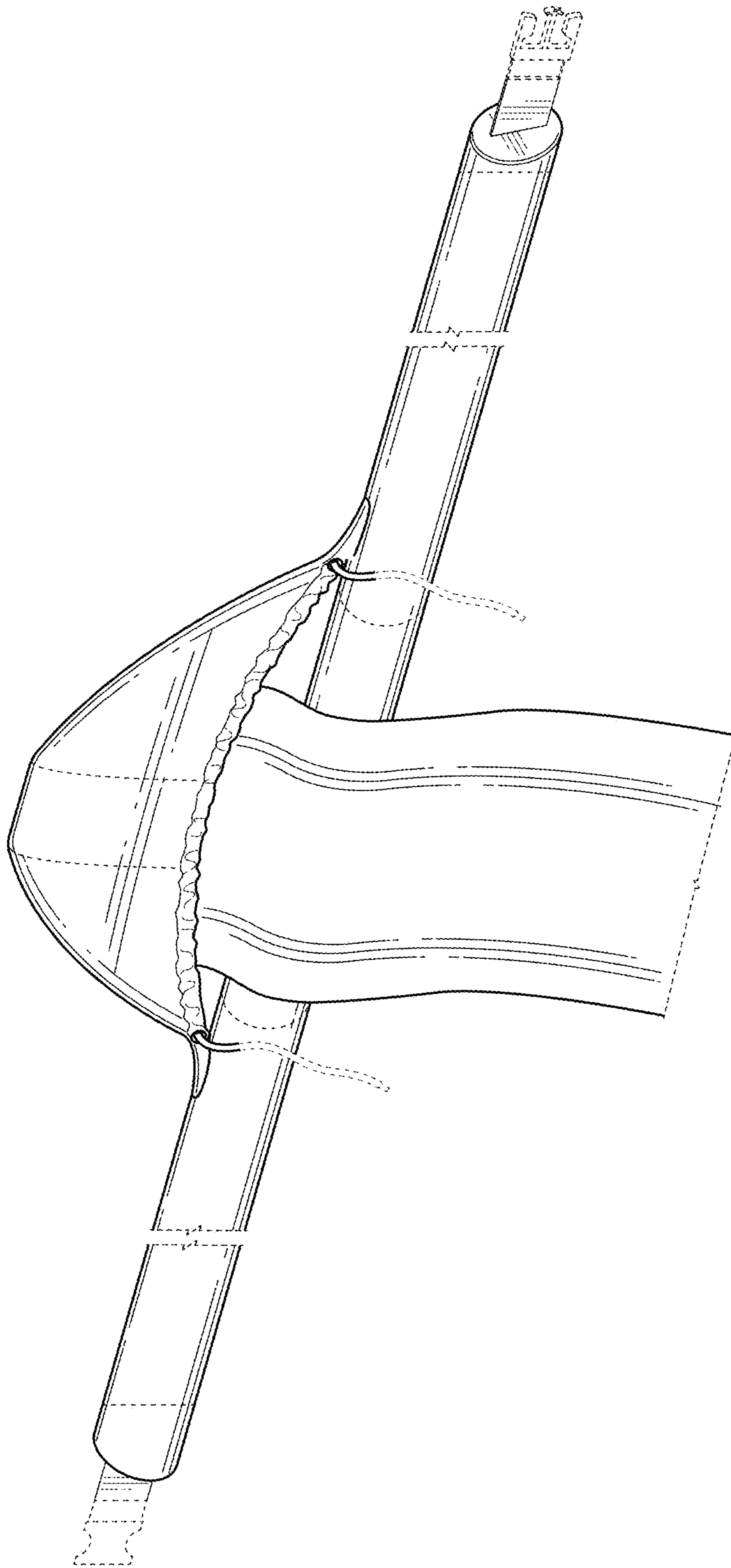


FIG. 9

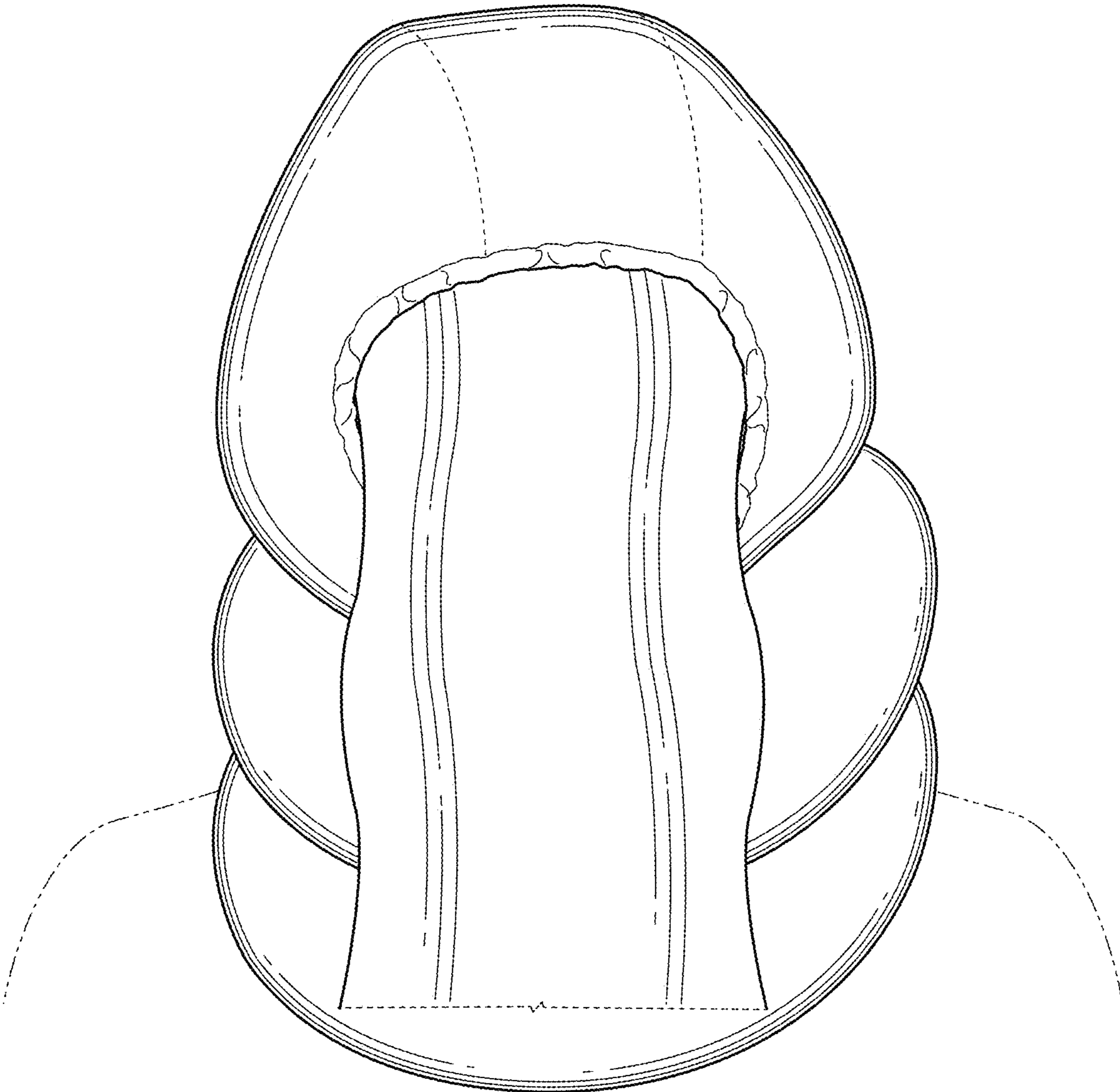


FIG. 10