



US00D978481S

(12) **United States Design Patent** (10) **Patent No.:** **US D978,481 S**
Paff (45) **Date of Patent:** **** Feb. 21, 2023**

(54) **SHIRT**
(71) Applicant: **NIKE, Inc.**, Beaverton, OR (US)
(72) Inventor: **Nick Paff**, Portland, OR (US)
(73) Assignee: **NIKE, Inc.**, Beaverton, OR (US)
(**) Term: **15 Years**
(21) Appl. No.: **29/759,624**
(22) Filed: **Nov. 24, 2020**
(51) **LOC (14) Cl.** **02-01**
(52) **U.S. Cl.**
USPC **D2/602; D2/853**
(58) **Field of Classification Search**
USPC **D2/602, 717, 840, 731, 853, 720**
CPC **A41B 17/00**
See application file for complete search history.

(56) **References Cited**
U.S. PATENT DOCUMENTS
D447,876 S * 9/2001 Seth-Cimini D5/58
D622,037 S * 8/2010 Hall D2/717
D646,463 S * 10/2011 Petrovskis D2/720
D710,071 S * 8/2014 Knight D2/862
D713,129 S * 9/2014 Gooch D2/840
D733,999 S * 7/2015 Parker D2/717
D734,916 S * 7/2015 Turner D2/717
D745,250 S * 12/2015 McClain D2/731
D753,894 S * 4/2016 Yoo D2/717
D755,479 S 5/2016 Darmour
D756,596 S * 5/2016 Santana D2/717

(Continued)

OTHER PUBLICATIONS

Kids' Short Sleeved Football Shirt F520 posted to decathlon.com.
Available date: Sep. 23, 2020 [site visited Sep. 28, 2022] Available:

<<https://www.decathlon.com.gr/en/children-s-jerseys/307789-138454-kids-short-sleeved-football-shirt-f520-orangeslashburgundy.html>> (Year: 2020).*

(Continued)

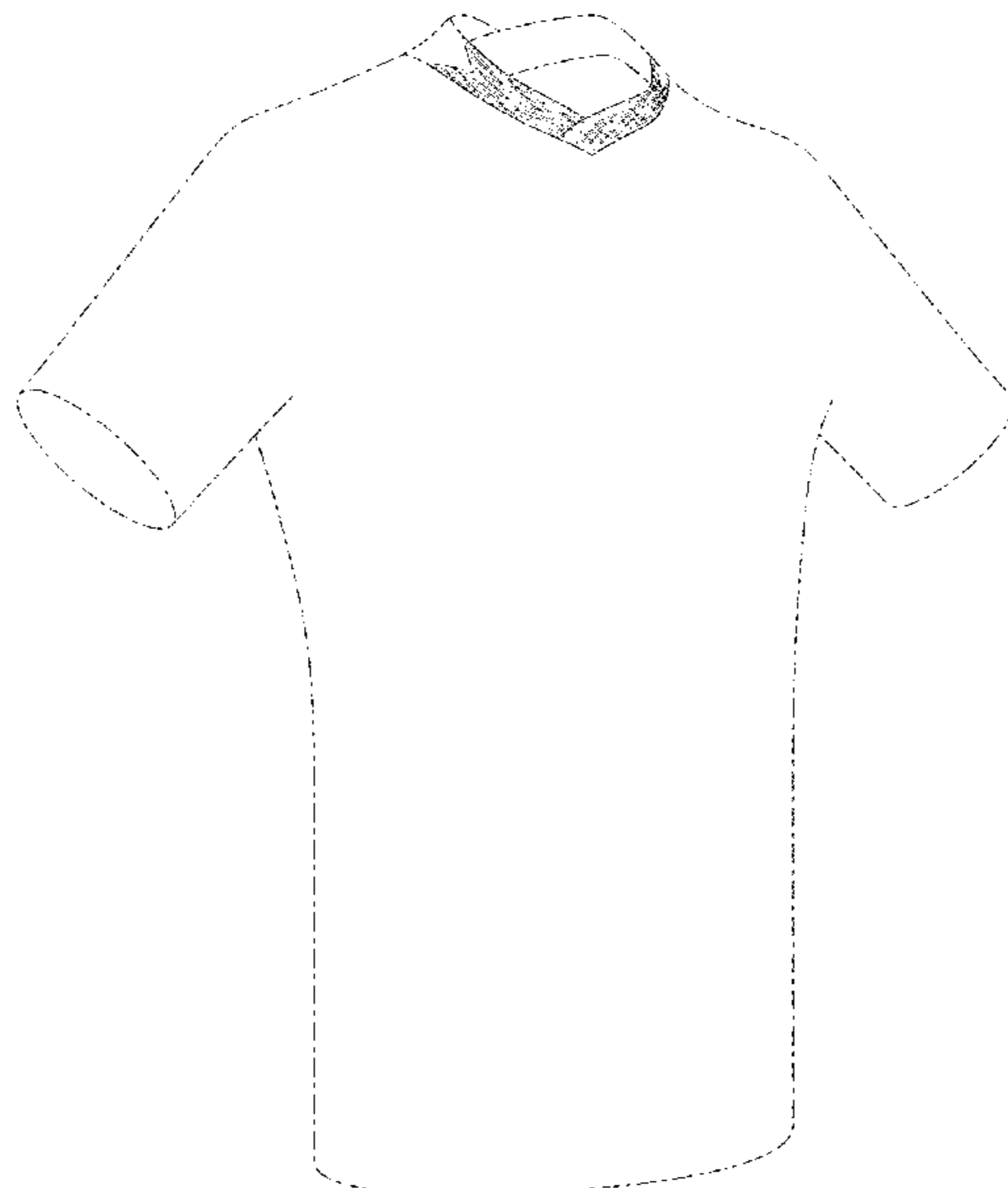
Primary Examiner — Kevin K Rudzinski
(74) *Attorney, Agent, or Firm* — Banner & Witcoff, Ltd.

(57) **CLAIM**
The ornamental design for a shirt, as shown and described.

DESCRIPTION

FIG. 1 is a front-right side perspective view of a shirt showing my new design;
FIG. 2 is a front view thereof;
FIG. 3 is a front-left side perspective view thereof;
FIG. 4 is an enlarged view of the claim as shown in FIG. 1 with certain environment removed for clarity purposes;
FIG. 5 is an enlarged view of the claim as shown in FIG. 2 with certain environment removed for clarity purposes;
FIG. 6 is an enlarged view of the claim as shown in FIG. 3 with certain environment removed for clarity purposes;
FIG. 7 is a front-right side perspective view of a shirt showing an alternate embodiment of my new design;
FIG. 8 is a front view thereof;
FIG. 9 is a front-left side perspective view thereof;
FIG. 10 is an enlarged view of the claim as shown in FIG. 7 with certain environment removed for clarity purposes;
FIG. 11 is an enlarged view of the claim as shown in FIG. 8 with certain environment removed for clarity purposes; and,
FIG. 12 is an enlarged view of the claim as shown in FIG. 9 with certain environment removed for clarity purposes.
The broken lines immediately adjacent to the shaded area define the bounds of the claimed design and form no part thereof. In FIGS. 7-12, the black filled regions represent ornamentation having a contrasting appearance relative to the remainder of the panel. The broken lines depicting the remainder of the shirt form no part of the claimed design.

1 Claim, 12 Drawing Sheets



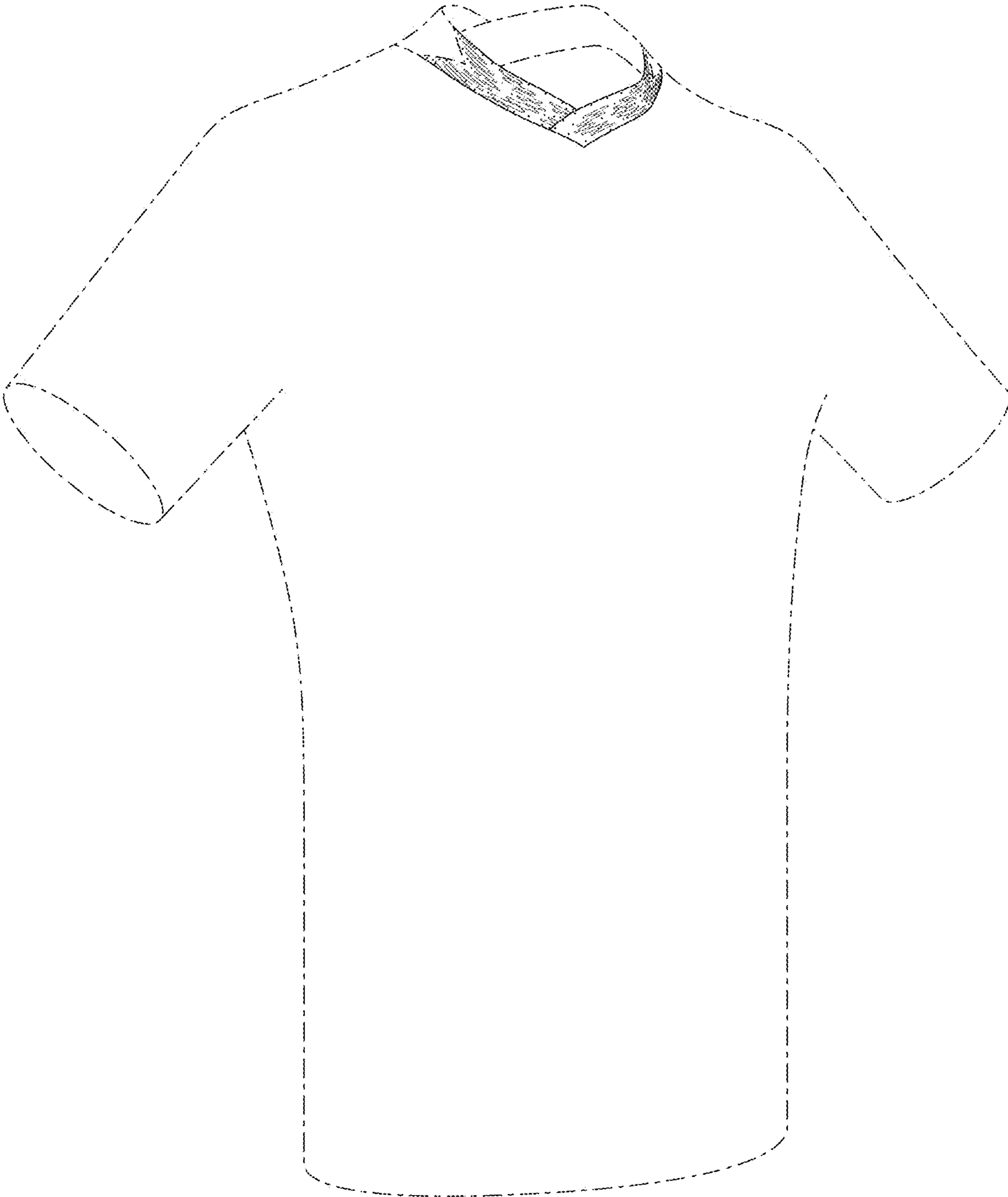


FIG. 1

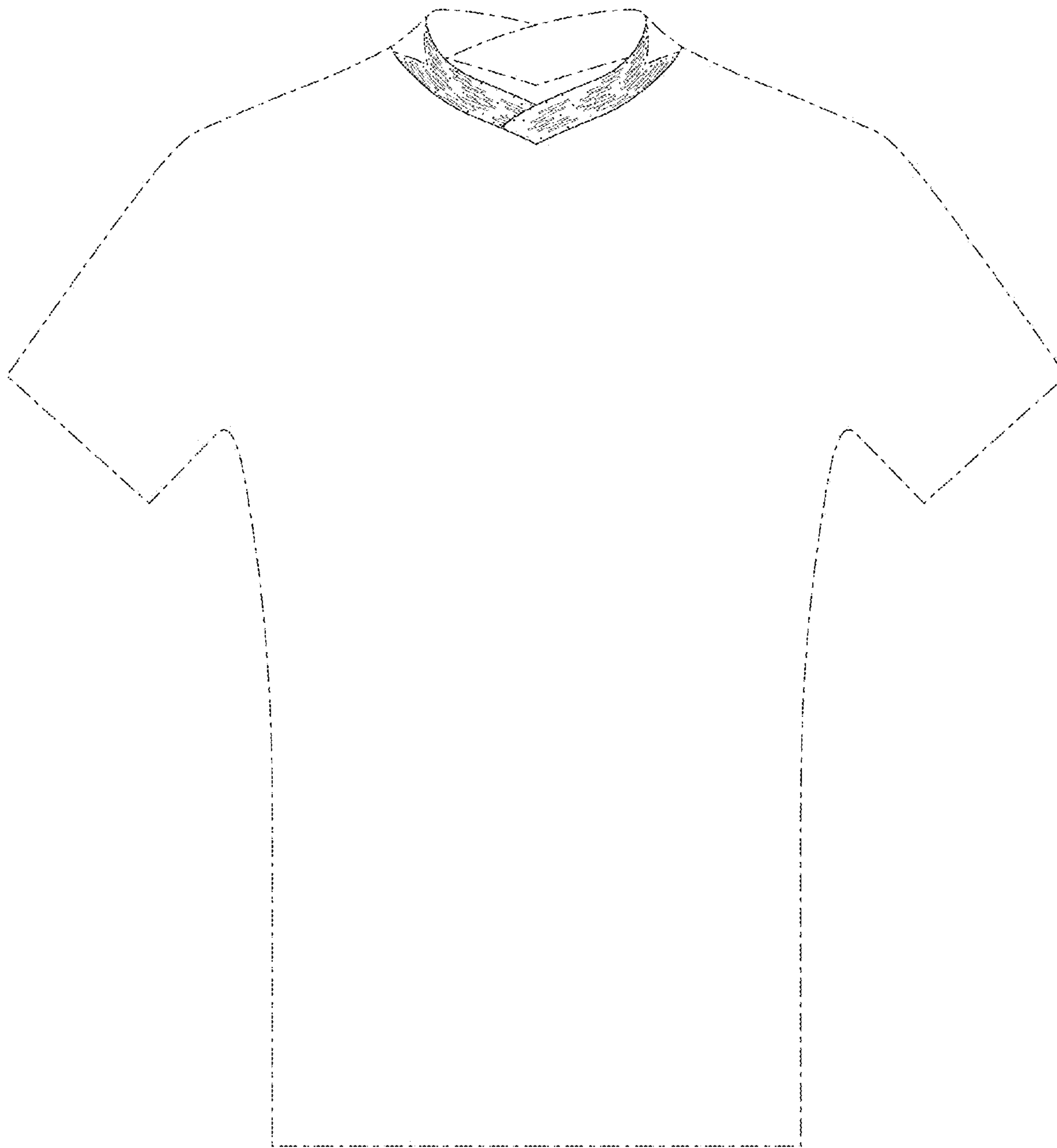


FIG. 2

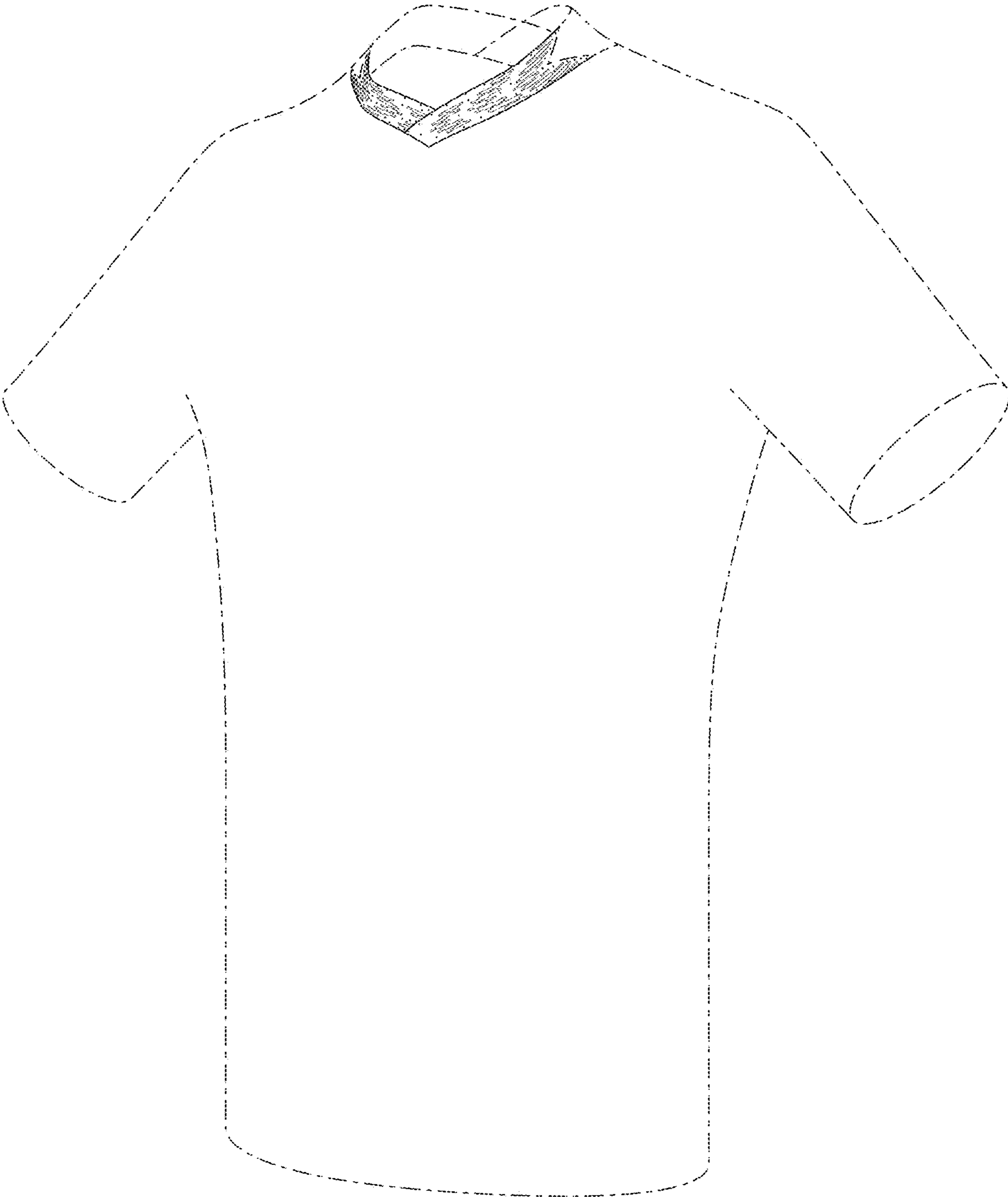


FIG. 3

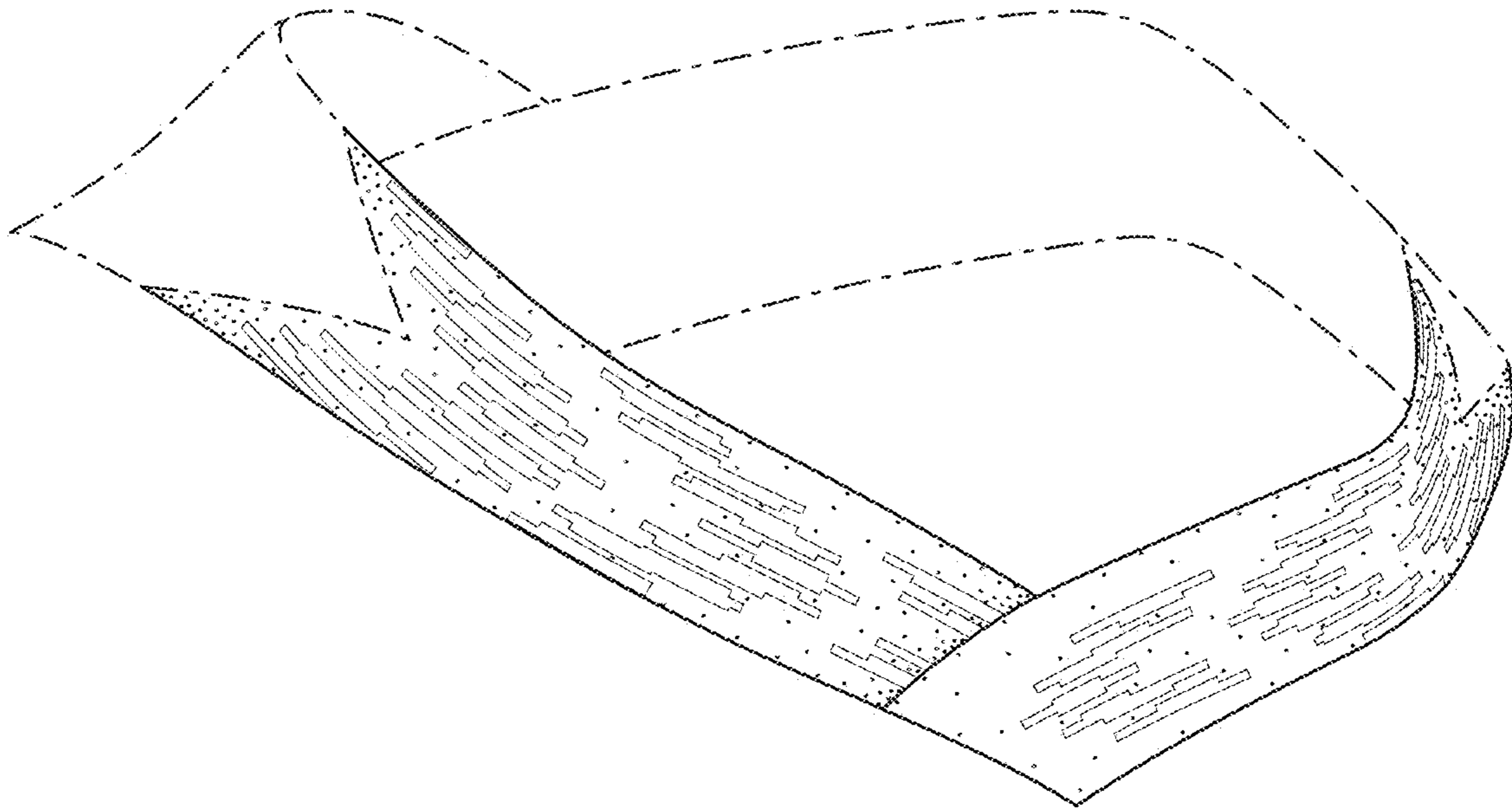


FIG. 4

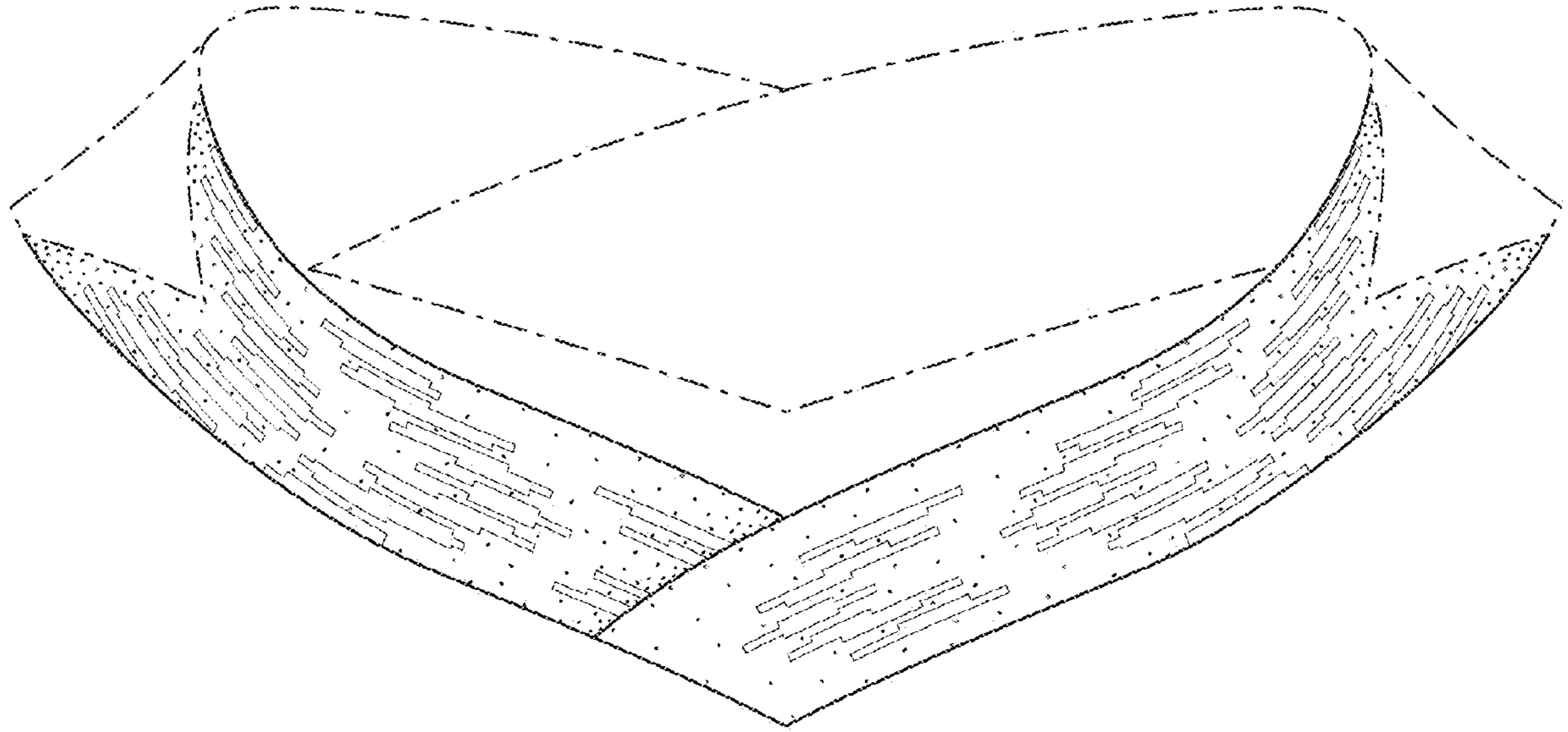


FIG. 5

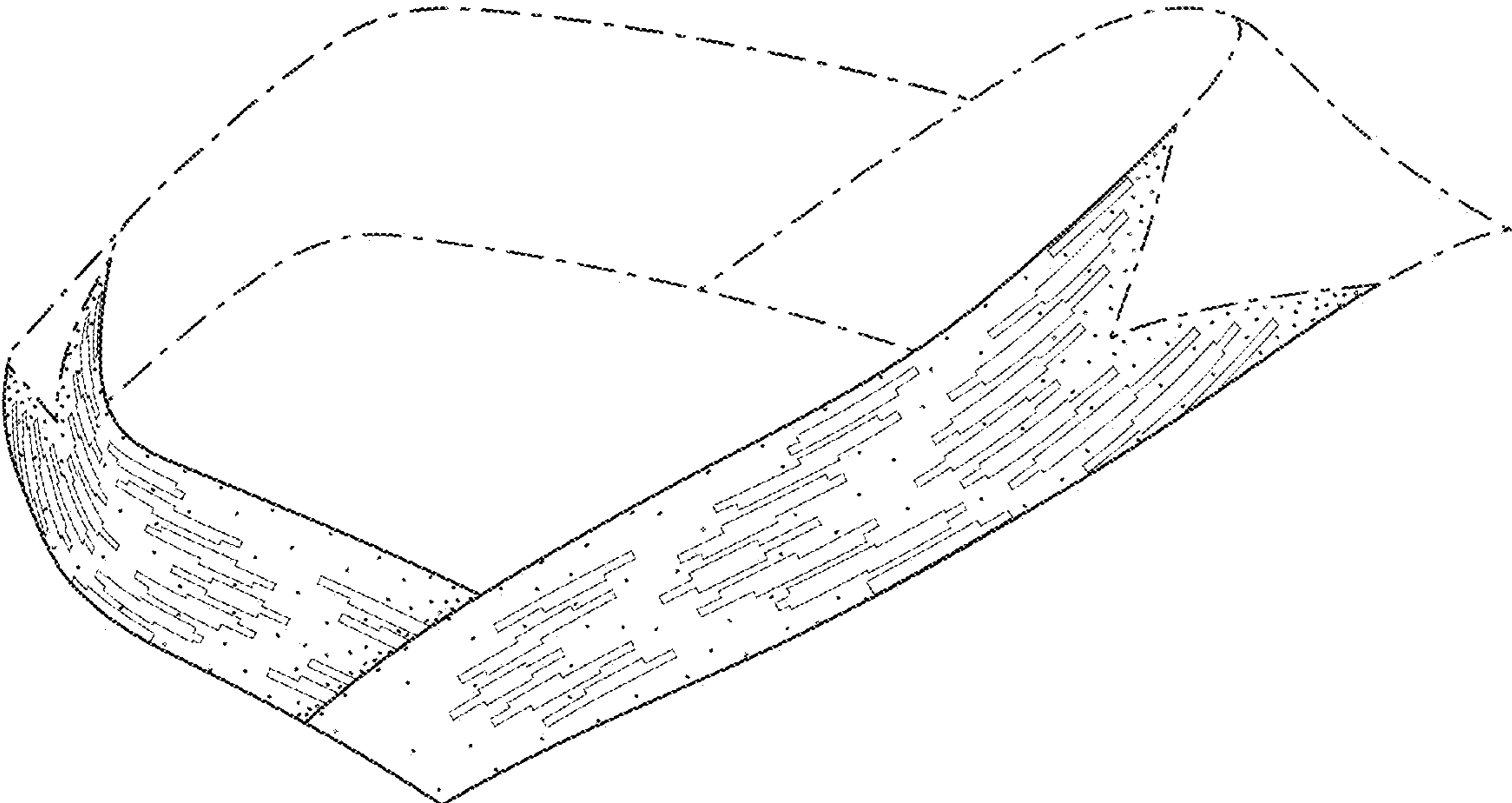


FIG. 6

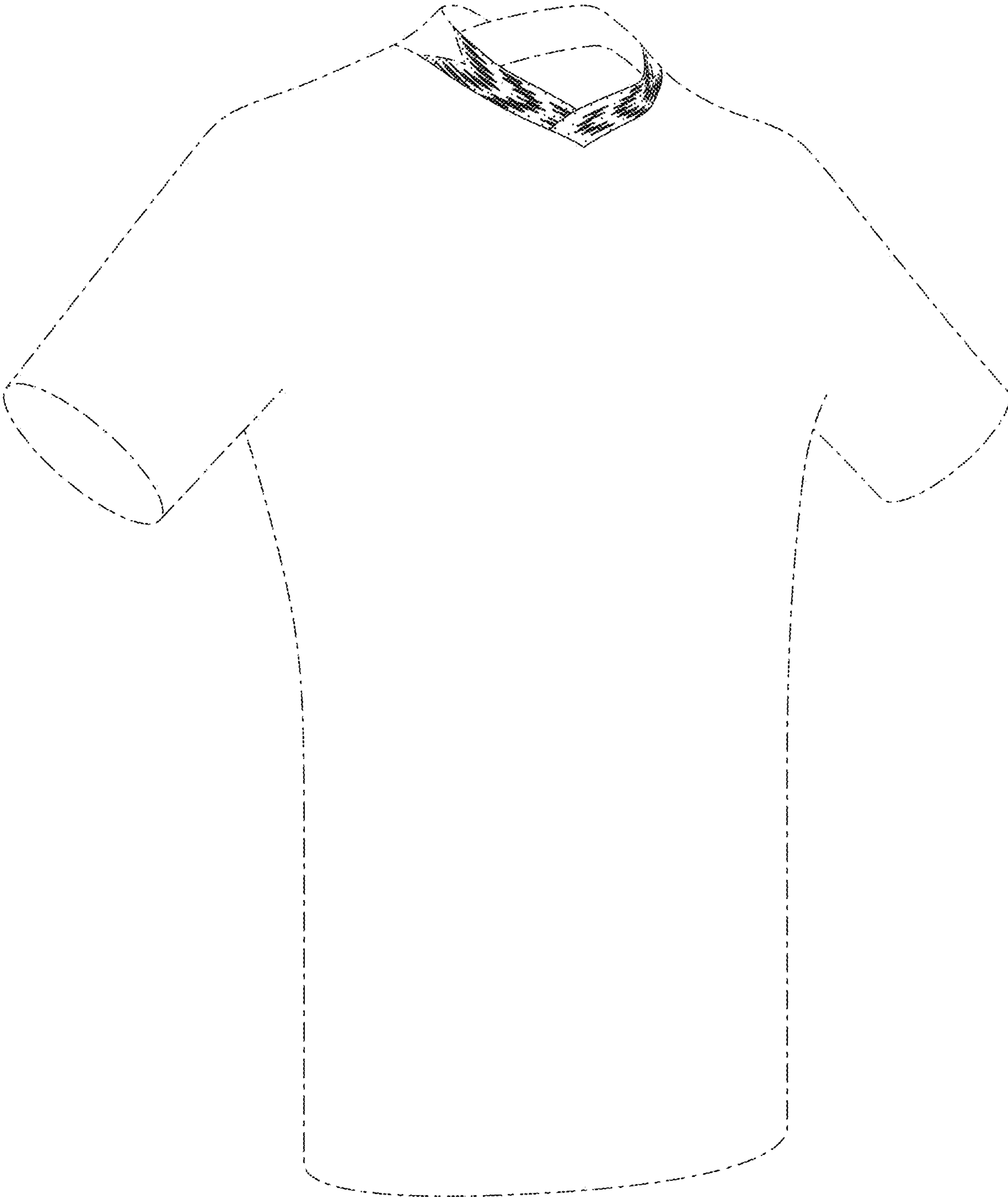


FIG. 7

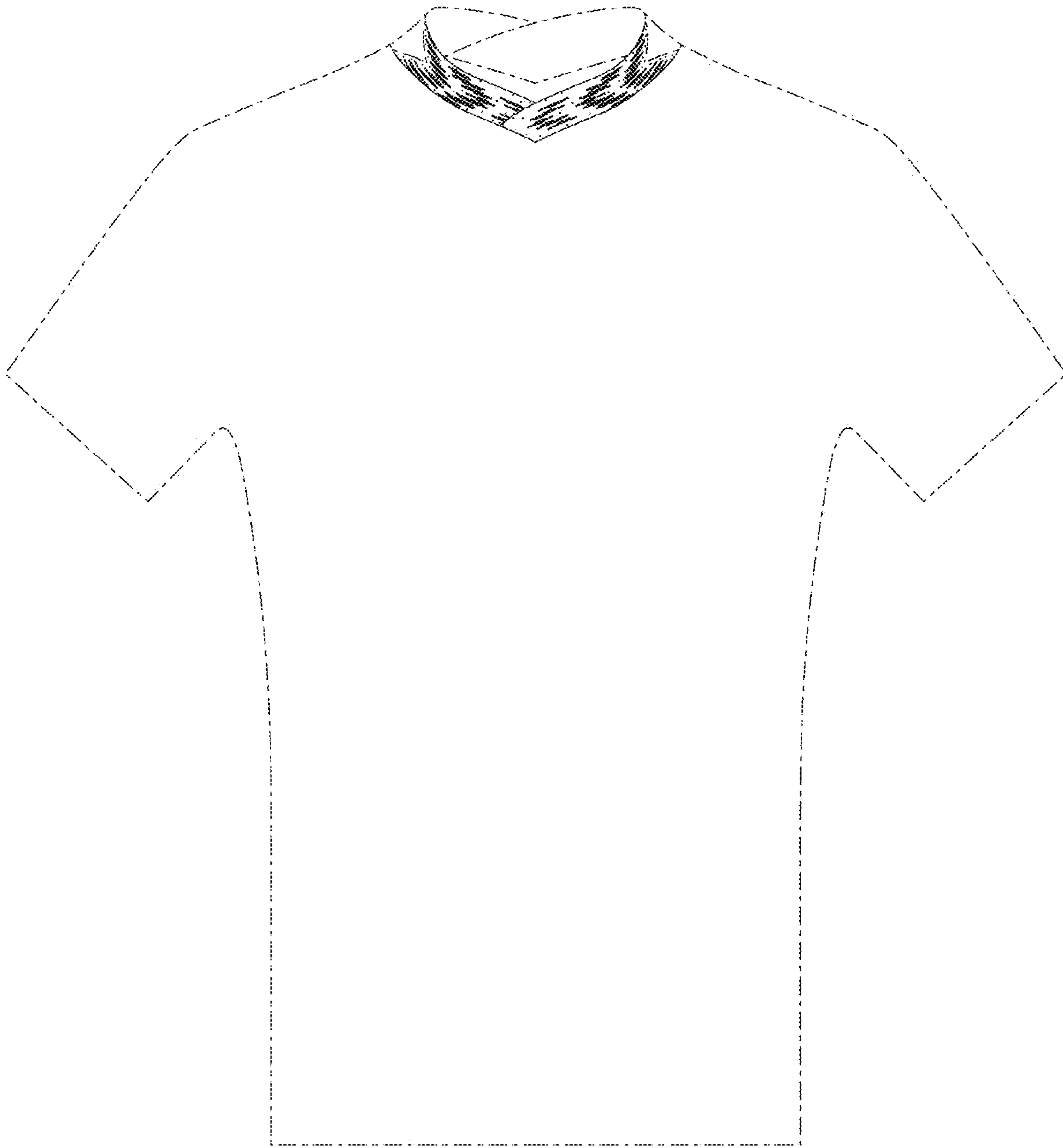


FIG. 8

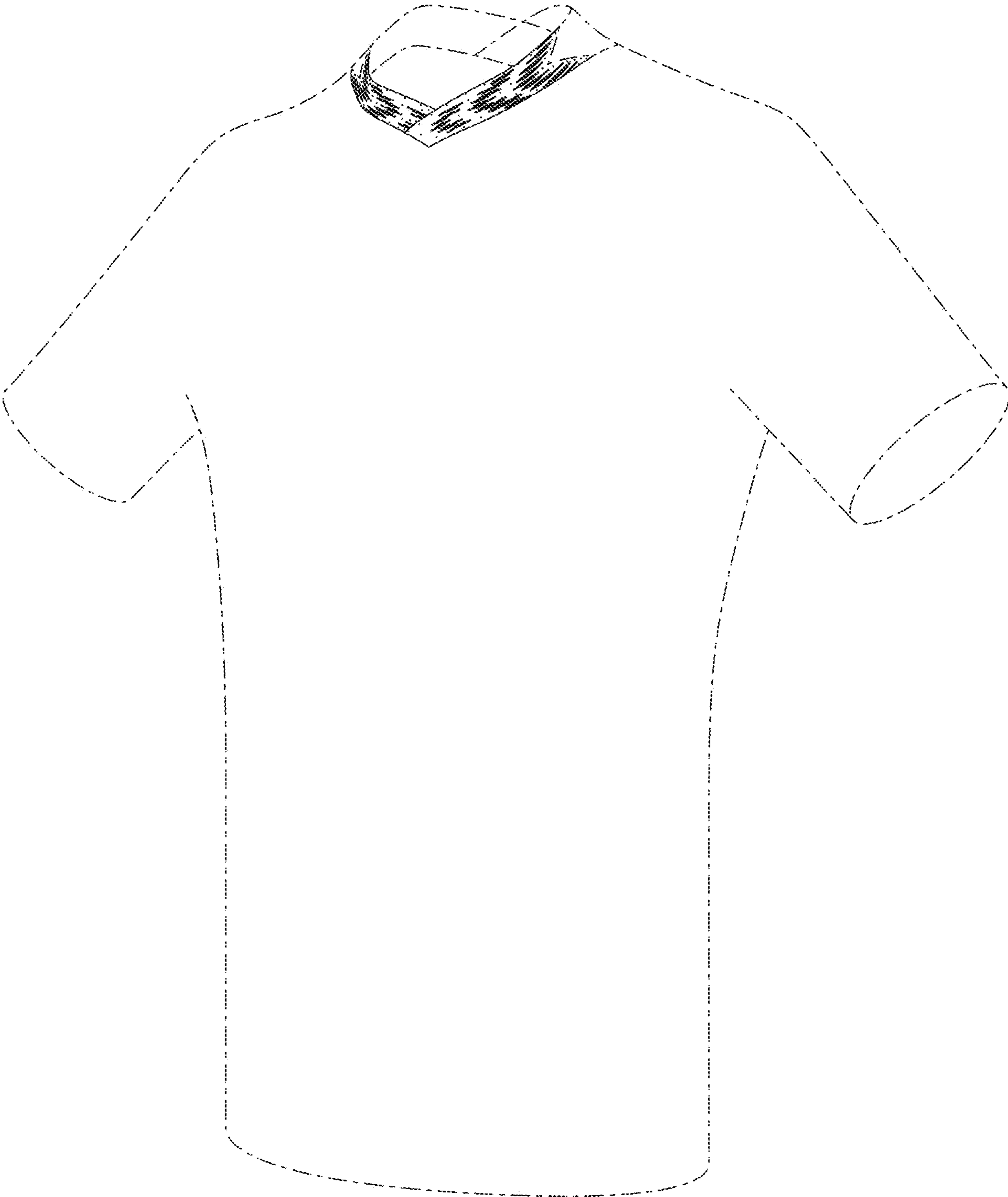


FIG. 9

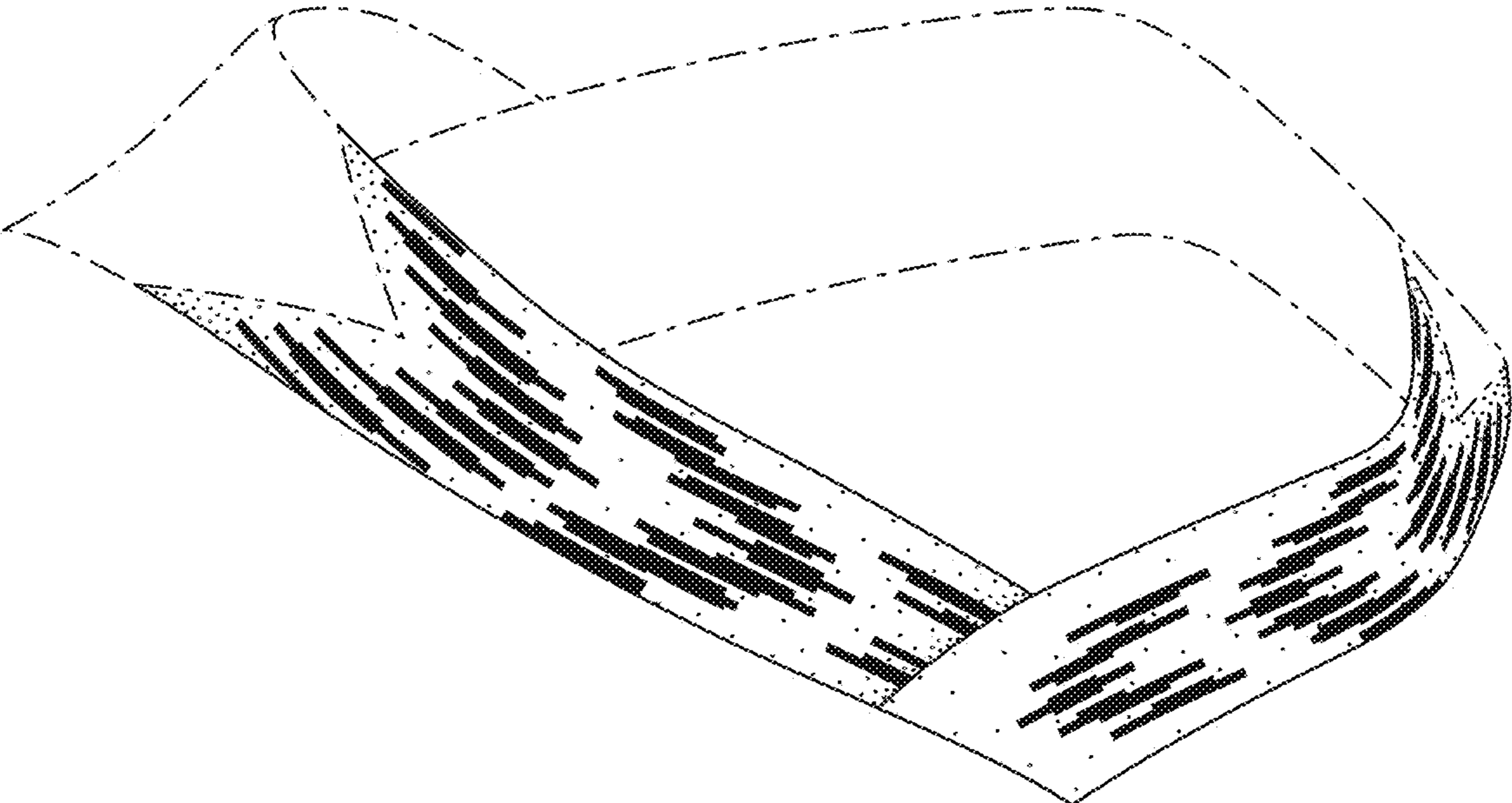


FIG. 10

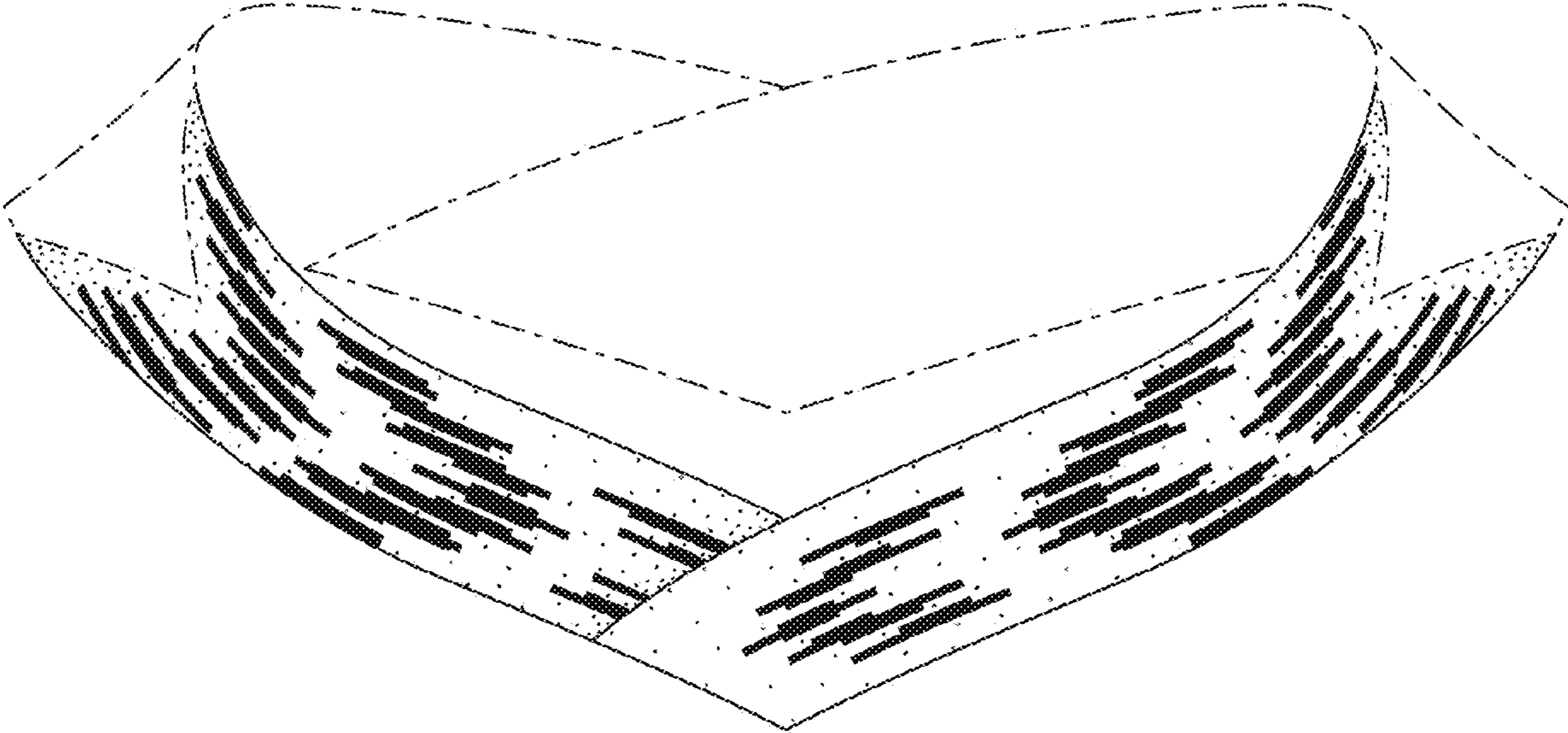


FIG. 11

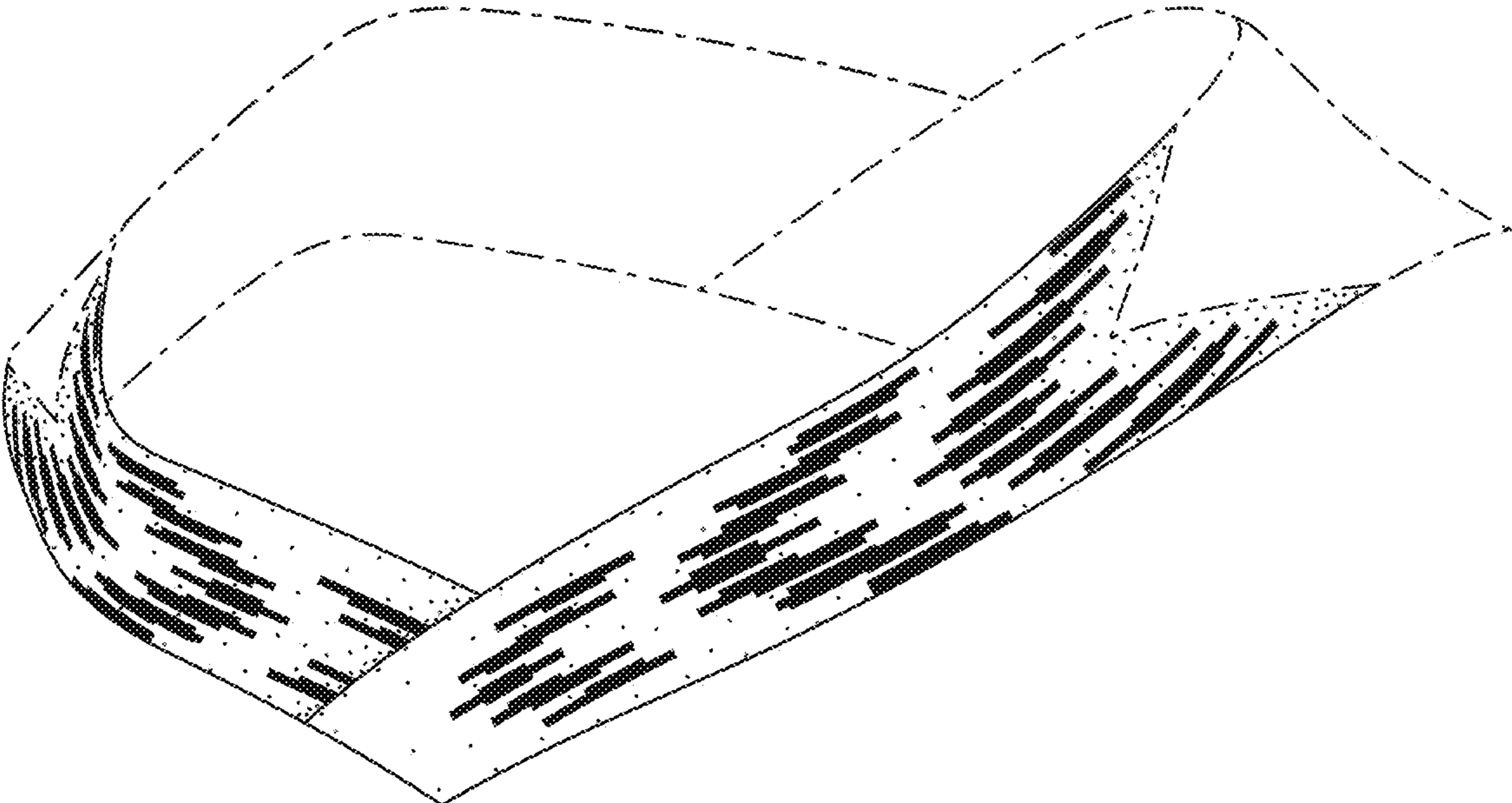


FIG. 12