



US00D978477S

(12) **United States Design Patent**  
**Arjonilla et al.**

(10) **Patent No.:** **US D978,477 S**

(45) **Date of Patent:** **\*\* Feb. 14, 2023**

(54) **CASH BOX WITH COVERED COIN TRAY**

(71) Applicant: **RKSA, LLC**, Chula Vista, CA (US)

(72) Inventors: **Steven A. Arjonilla**, San Diego, CA (US); **Robert W. Keogh**, Austin, TX (US)

(73) Assignee: **RKSA, LLC**, Chula Vista, CA (US)

(\*\*) Term: **15 Years**

(21) Appl. No.: **29/693,972**

(22) Filed: **Jun. 6, 2019**

(51) **LOC (14) Cl.** ..... **99-00**

(52) **U.S. Cl.**  
USPC ..... **D99/34**

(58) **Field of Classification Search**  
USPC .... D99/28, 34, 35, 36, 43, 99; D18/3.1, 3.2, D18/3.3, 4.1, 4.4, 12, 12.1, 47; D3/201, D3/272, 273, 274, 900, 901, 903, 905  
CPC ..... A45C 1/12; A45C 2001/125; A45C 2001/102; A45C 2001/104; A45C 2001/006; A45C 2001/105; A45C 2001/107; E05G 1/00; E05G 1/005; E05G 1/026; E05G 5/00; E05G 7/00; E05G 7/001; E05G 2700/00; E05G 2700/02; B63C 7/30; G07D 9/00; G07D 9/002; G07D 9/004; G07D 9/008; G07D 9/02; G07D 9/06; G07D 9/08; G07D 11/00; G07D 13/00; G07D 2201/00; G07D 2211/00

See application file for complete search history.

(56) **References Cited**

**U.S. PATENT DOCUMENTS**

746,205 A \* 12/1903 Valentine ..... A45C 1/12  
232/4 R  
1,146,230 A \* 7/1915 Andersen ..... A45C 1/12  
446/13  
1,721,588 A \* 7/1929 Dinspel ..... E05G 5/006  
206/0.81

2,544,118 A \* 3/1951 Went ..... G07D 9/002  
206/0.83  
D209,372 S \* 11/1967 Schruman ..... D3/291  
D228,580 S \* 10/1973 Schruman ..... D3/281  
D273,908 S \* 5/1984 Hoogeveen ..... D99/28

(Continued)

**OTHER PUBLICATIONS**

Cash Box Steel Money Box 11.8"Lx9.5"W Cash-Box-with-Money-Tray Black WOT I ,[\(Continued\)](https://www.amazon.com/Steel-Money-Cash-Box-Money-Tray-WOT/dp/B07R1H5RZC/ref=asc_df_B07R1H5RZC/?tag=bingshoppinga-20&linkCode=df0&hvadid=&hvpos=&hvnetw=o&hvrnd=&hvpone=&hvptwo=&hvqmt=e&hvdev=c&hvdvcmdl, Apr. 18, 2019. (Year: 2019).*</a></p></div>
<div data-bbox=)

*Primary Examiner* — Elizabeth J Oswecki

(74) *Attorney, Agent, or Firm* — Lee & Hayes, P.C.

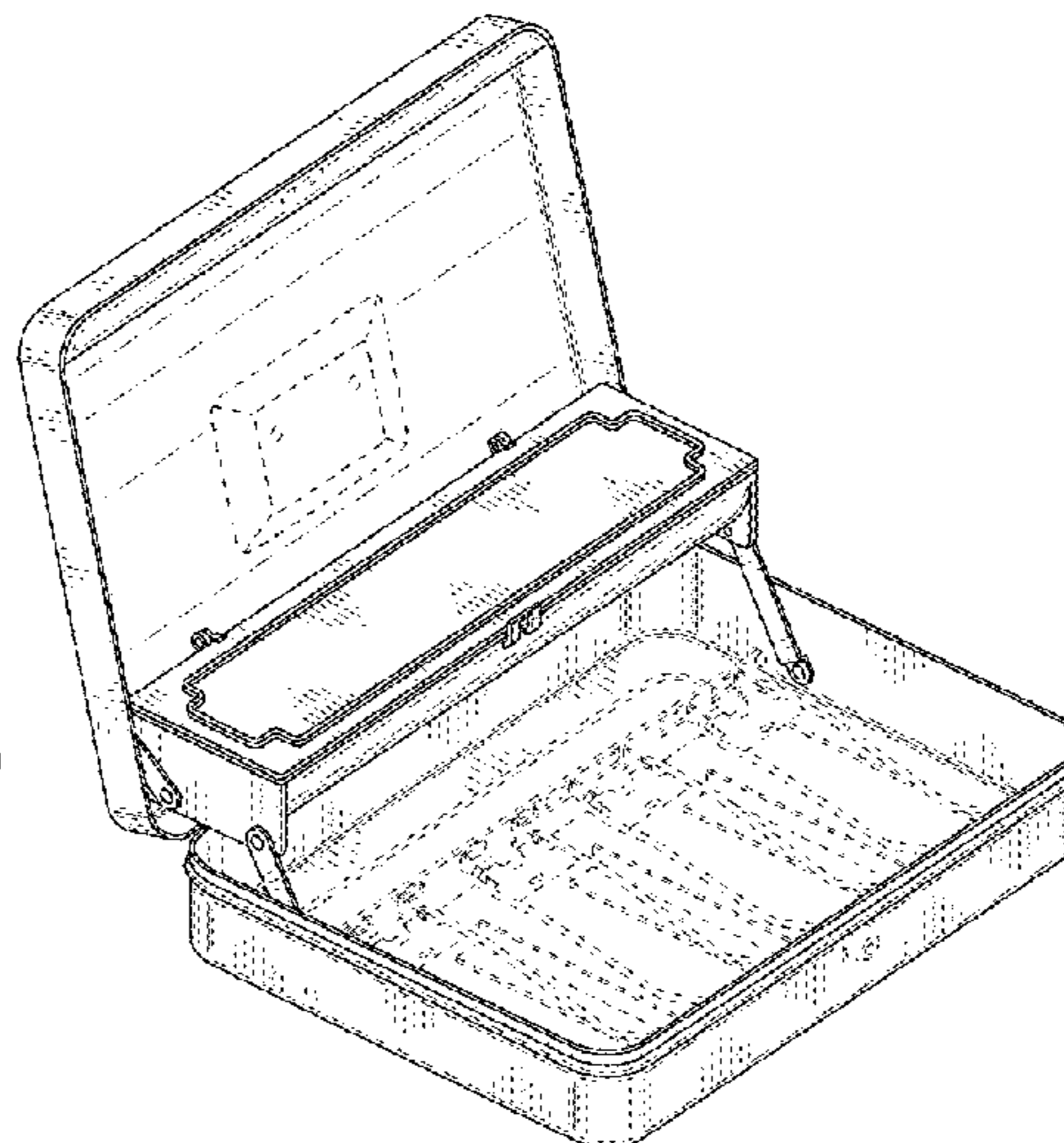
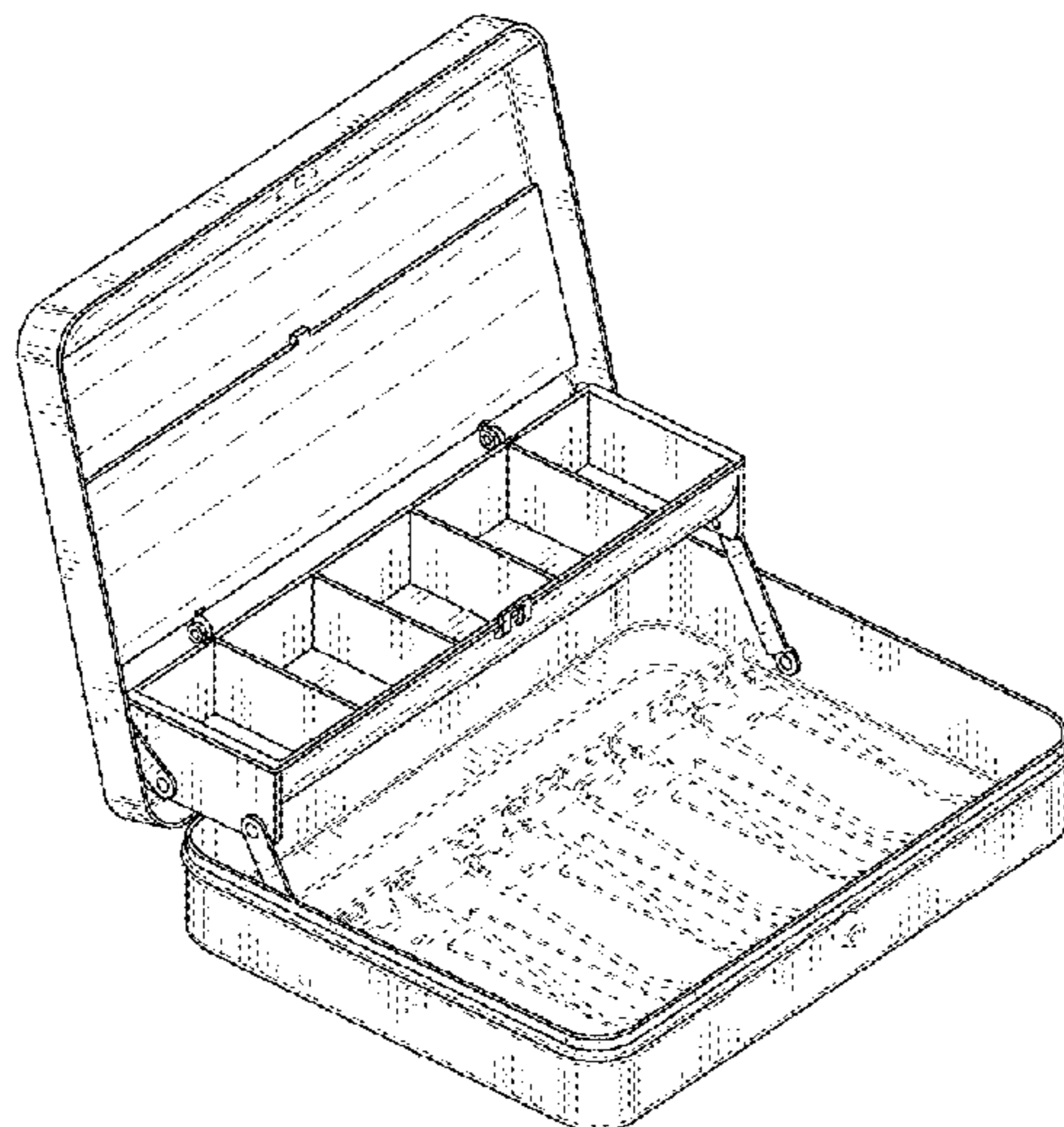
(57) **CLAIM**

The ornamental design for a cash box with covered coin tray, as shown and described.

**DESCRIPTION**

FIG. 1 is a top plan view of a cash box with covered coin tray, showing our new design in a closed position; FIG. 2 is another top plan view thereof, shown with the cash box cover and a coin try cover in an open position; FIG. 3 is another top plan view of FIG. 2, with the cash box cover in an open position and the coin try cover in a closed position; FIG. 4 is a left-side view of FIG. 2; FIG. 5 is a right-side view of FIG. 2; FIG. 6 is a bottom view of FIG. 2; FIG. 7 is a front view of FIG. 2; FIG. 8 is a back view of FIG. 2; FIG. 9 is a perspective view of FIG. 2; and, FIG. 10 is a perspective view of FIG. 3. The dashed broken lines depict portions of the cash box which form no part of the claimed design.

**1 Claim, 10 Drawing Sheets**



(56)

References Cited

U.S. PATENT DOCUMENTS

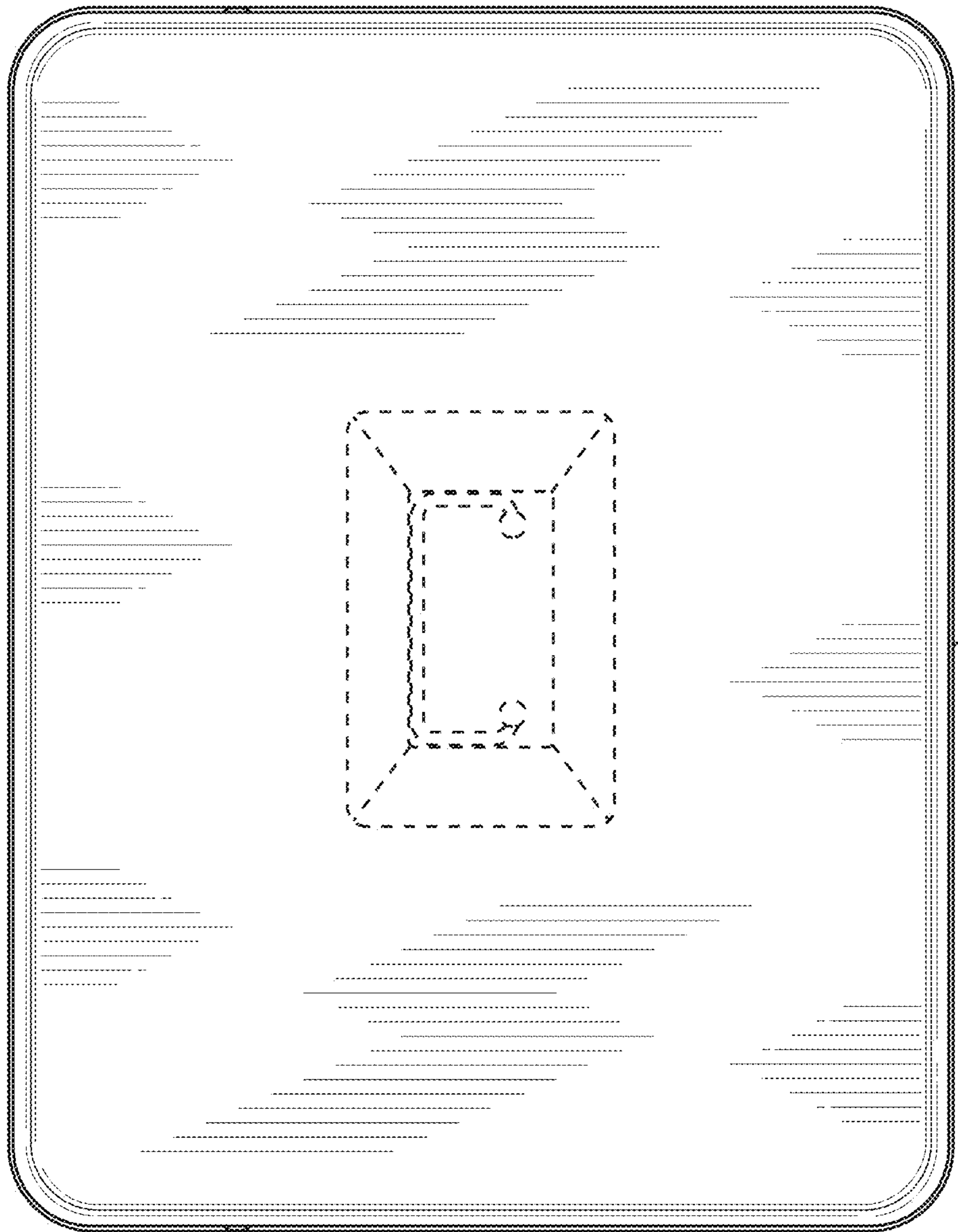
4,611,711 A \* 9/1986 Warwicker ..... E05G 1/005  
 206/0.81  
 D291,139 S \* 7/1987 Warwicker ..... D99/28  
 D296,949 S \* 7/1988 Warwicker ..... D18/3.1  
 5,168,987 A \* 12/1992 Warwicker ..... A45C 1/00  
 206/0.81  
 D351,504 S \* 10/1994 Tarozzi ..... D3/276  
 D371,906 S \* 7/1996 Peters ..... D3/276  
 D393,526 S \* 4/1998 Robey ..... D99/28  
 D414,037 S \* 9/1999 Akaike ..... D3/276  
 6,006,558 A \* 12/1999 Peters ..... E05B 63/14  
 292/108  
 D459,857 S \* 7/2002 Stoneberg ..... D99/28  
 D493,936 S \* 8/2004 Perella ..... D99/28  
 D498,049 S \* 11/2004 Perella ..... D3/276  
 D503,503 S \* 3/2005 Perella ..... D99/28  
 D541,045 S \* 4/2007 Peart ..... D99/28  
 D542,529 S \* 5/2007 Peart ..... D3/276  
 D558,977 S \* 1/2008 Peart ..... D99/28  
 D561,462 S \* 2/2008 Perella ..... D3/206  
 D561,994 S \* 2/2008 Peart ..... D99/28  
 D572,425 S \* 7/2008 Themistos ..... D99/28

D635,324 S \* 3/2011 Plato ..... D99/28  
 D644,815 S \* 9/2011 Helm ..... D99/34  
 D662,275 S \* 6/2012 Klauka ..... D99/34  
 D667,195 S \* 9/2012 Guo ..... D99/28  
 D668,835 S \* 10/2012 Brown ..... D99/34  
 D671,742 S \* 12/2012 Cenzano ..... D99/28  
 D671,743 S \* 12/2012 Cenzano ..... D99/28  
 D677,465 S \* 3/2013 Cenzano ..... D3/276  
 D677,855 S \* 3/2013 Eick ..... D99/35  
 D724,814 S \* 3/2015 Scheib ..... D99/34  
 D860,579 S \* 9/2019 McCabe ..... E05B 65/0075  
 D99/28  
 D893,123 S \* 8/2020 Yu ..... D99/28  
 10,829,269 B2 \* 11/2020 Gonitiner ..... B65D 21/0217  
 2001/0034202 A1 \* 10/2001 Nottingham ..... G07D 9/002  
 453/18

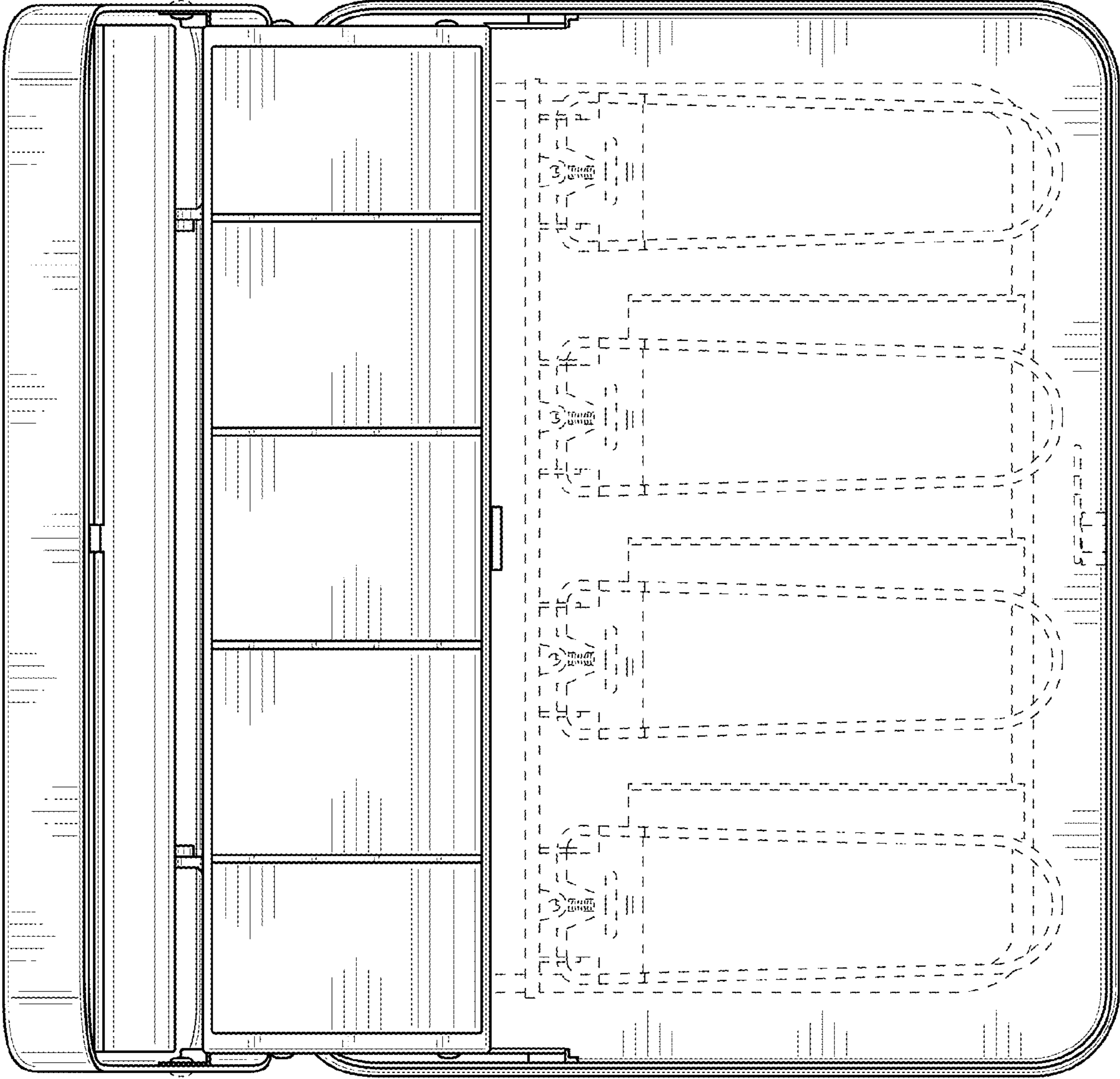
OTHER PUBLICATIONS

Cash Box Steel Money Box 11.8"Lx9.5"W Cash-Box-with-Money-Tray Black WOT I, <https://www.u-buy.com.tw/en/product/45KPCXI-cash-box-steel-money-box-11-8-l-x-9-5-w-cash-box-with-money-tray-black-wot-i>, Oct. 15, 2018. (Year: 2018).\*

\* cited by examiner



**FIG. 1**



**FIG. 2**

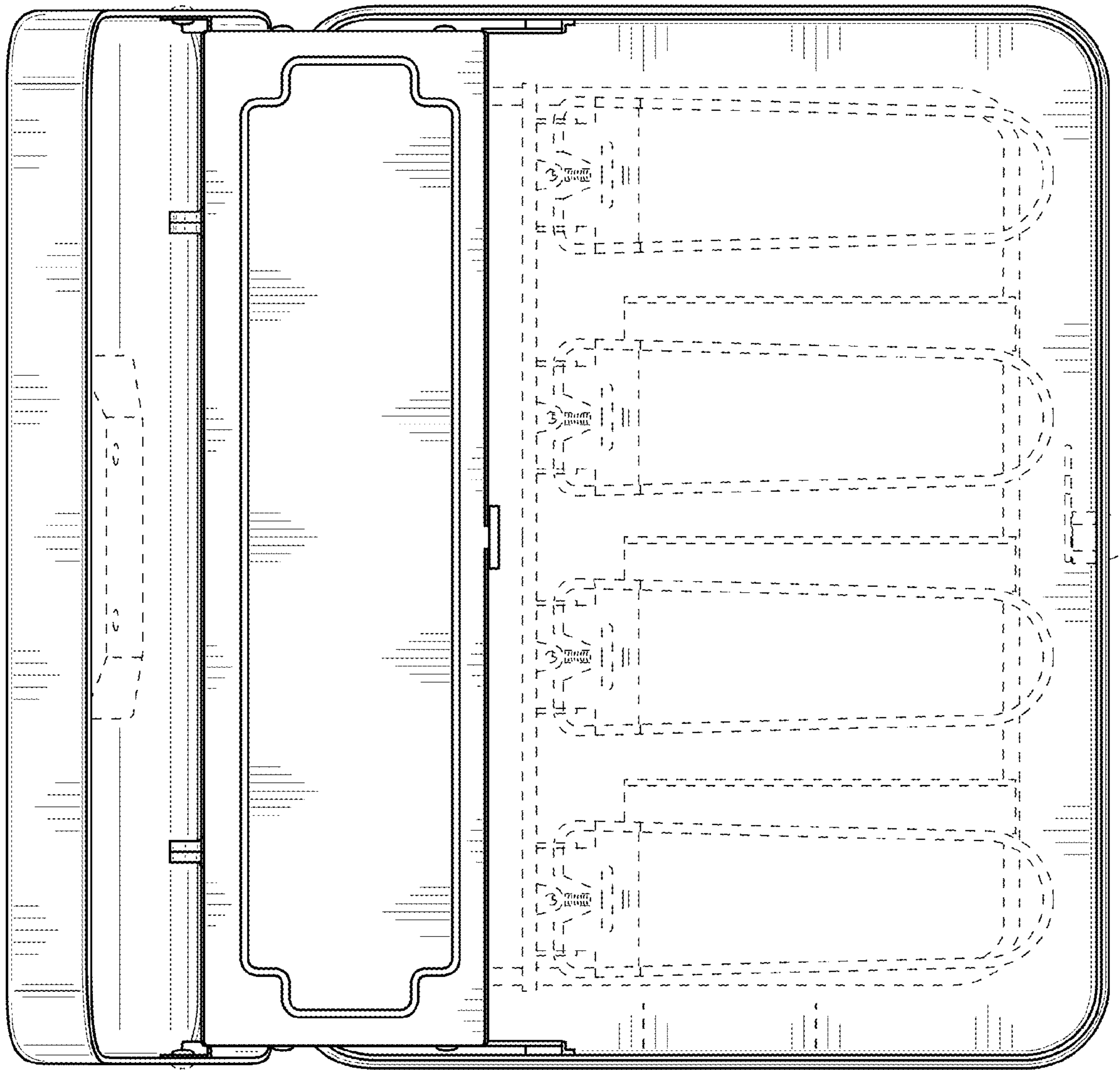
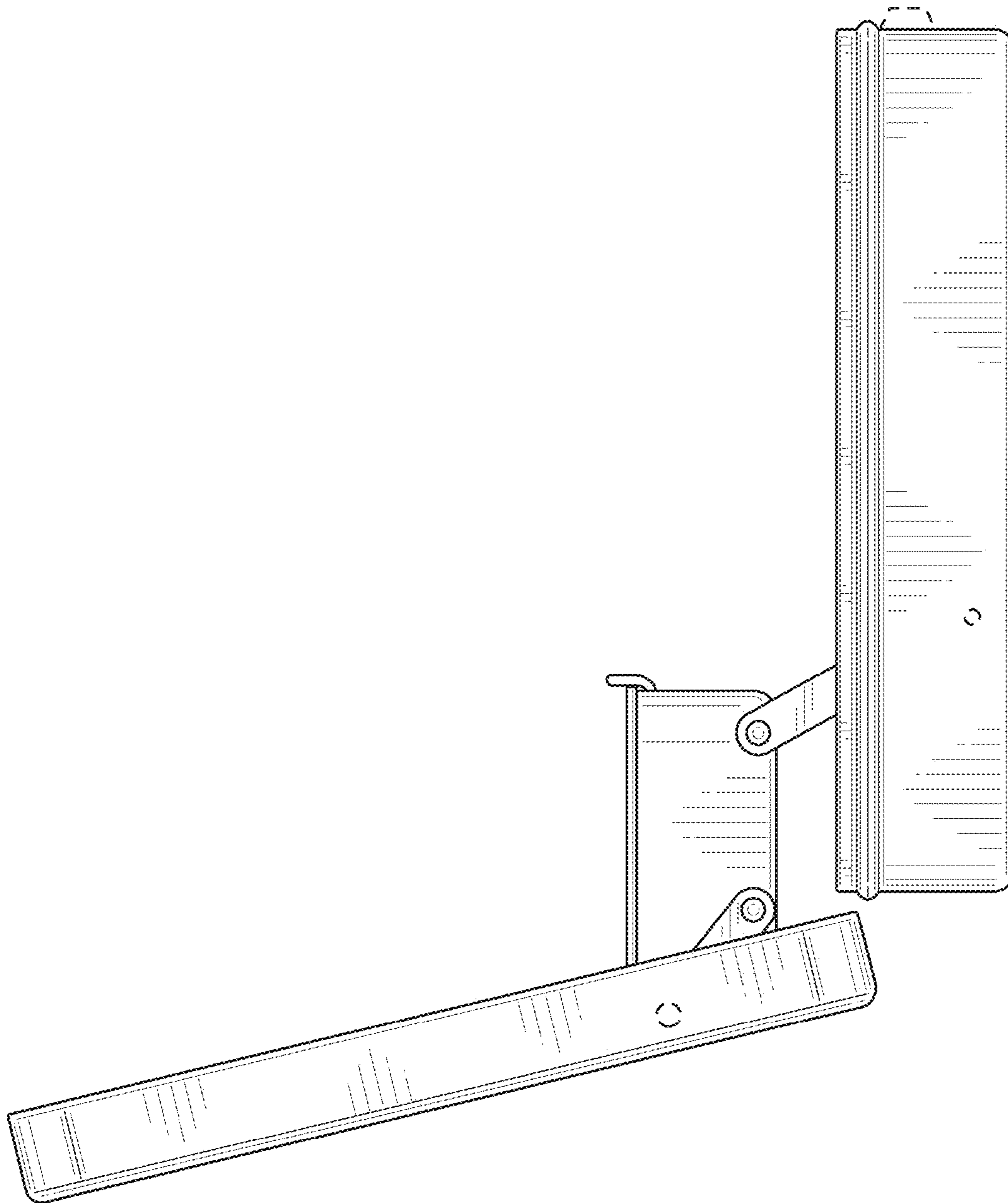


FIG. 3



**FIG. 4**

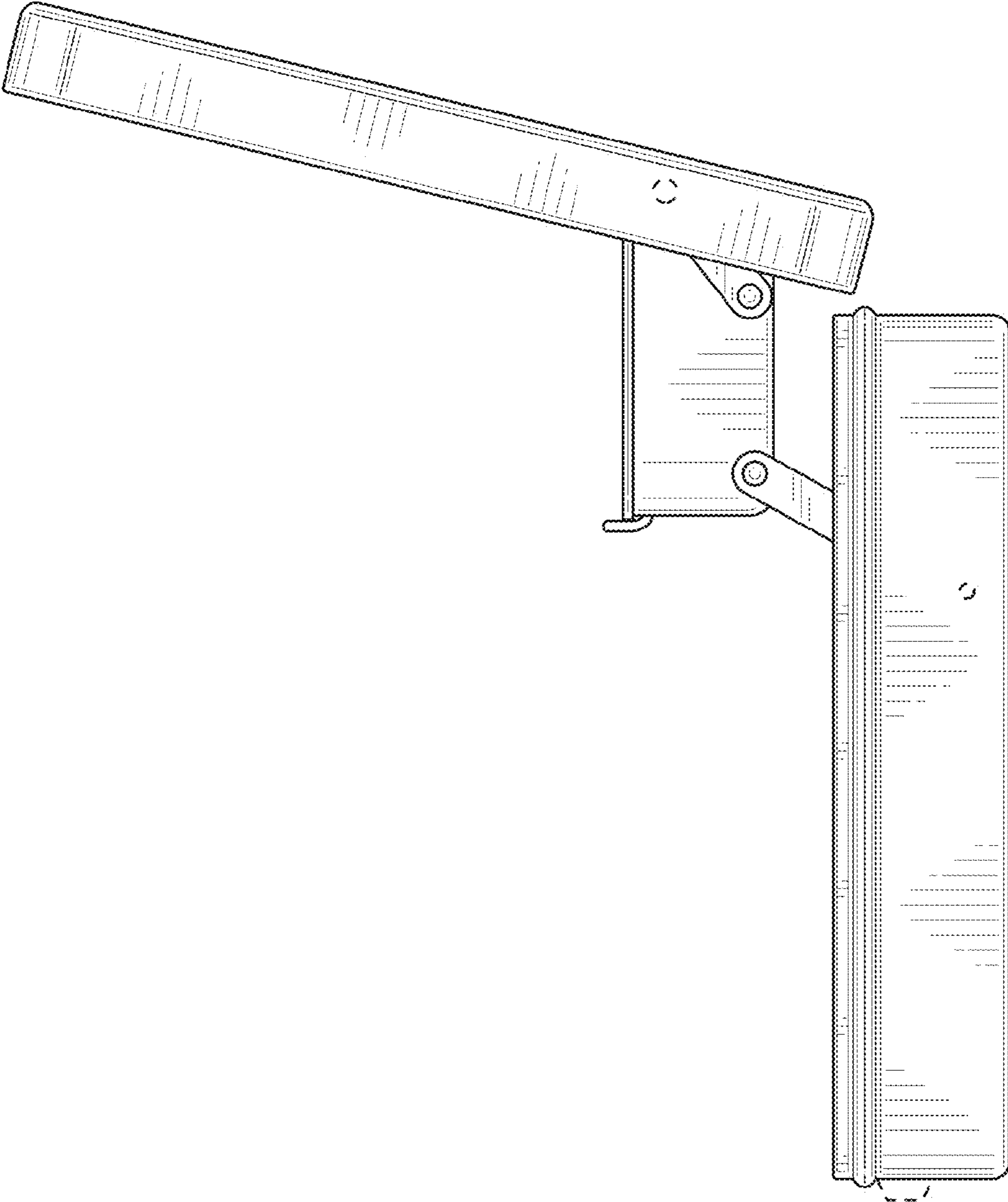


FIG. 5

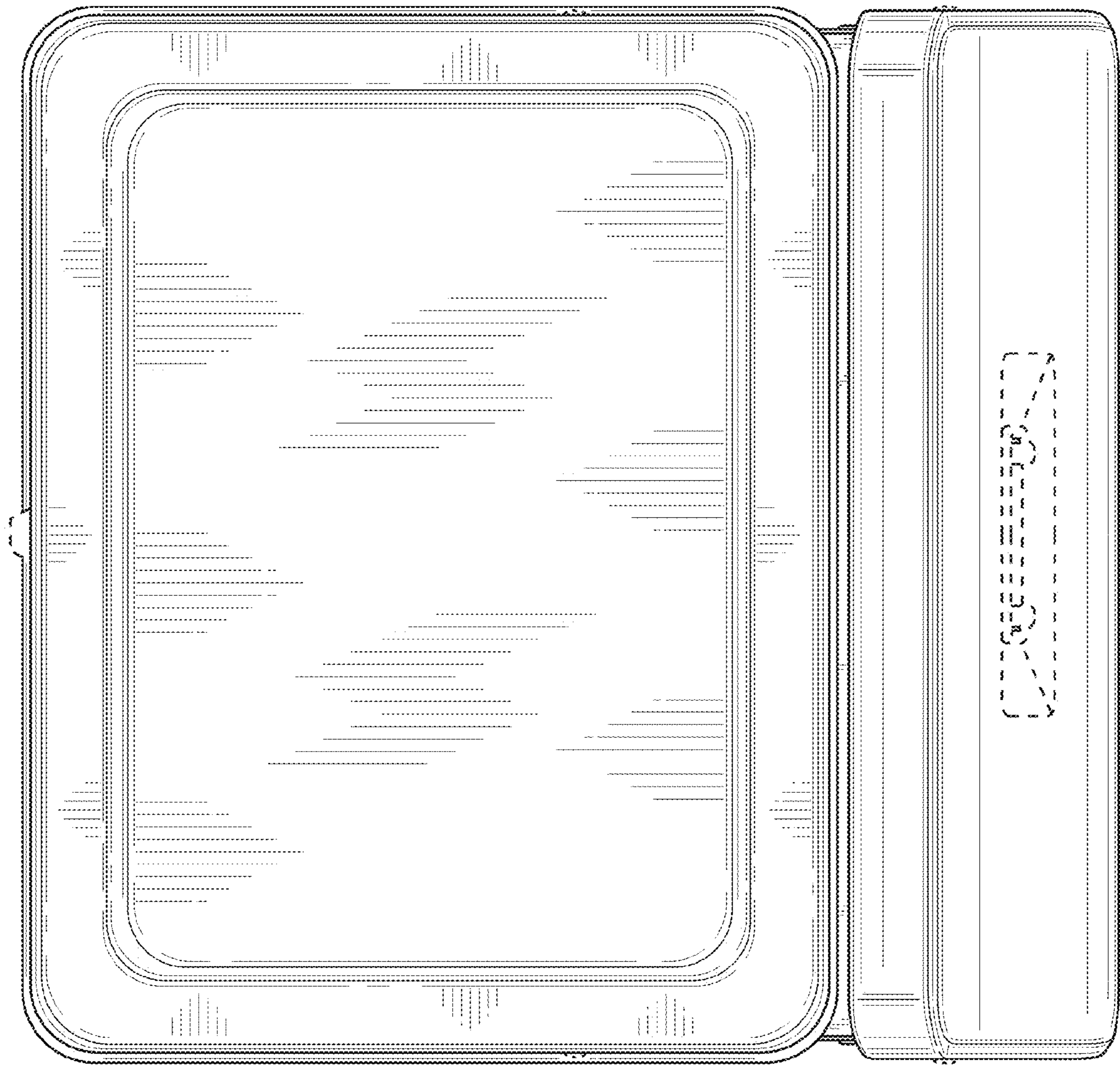
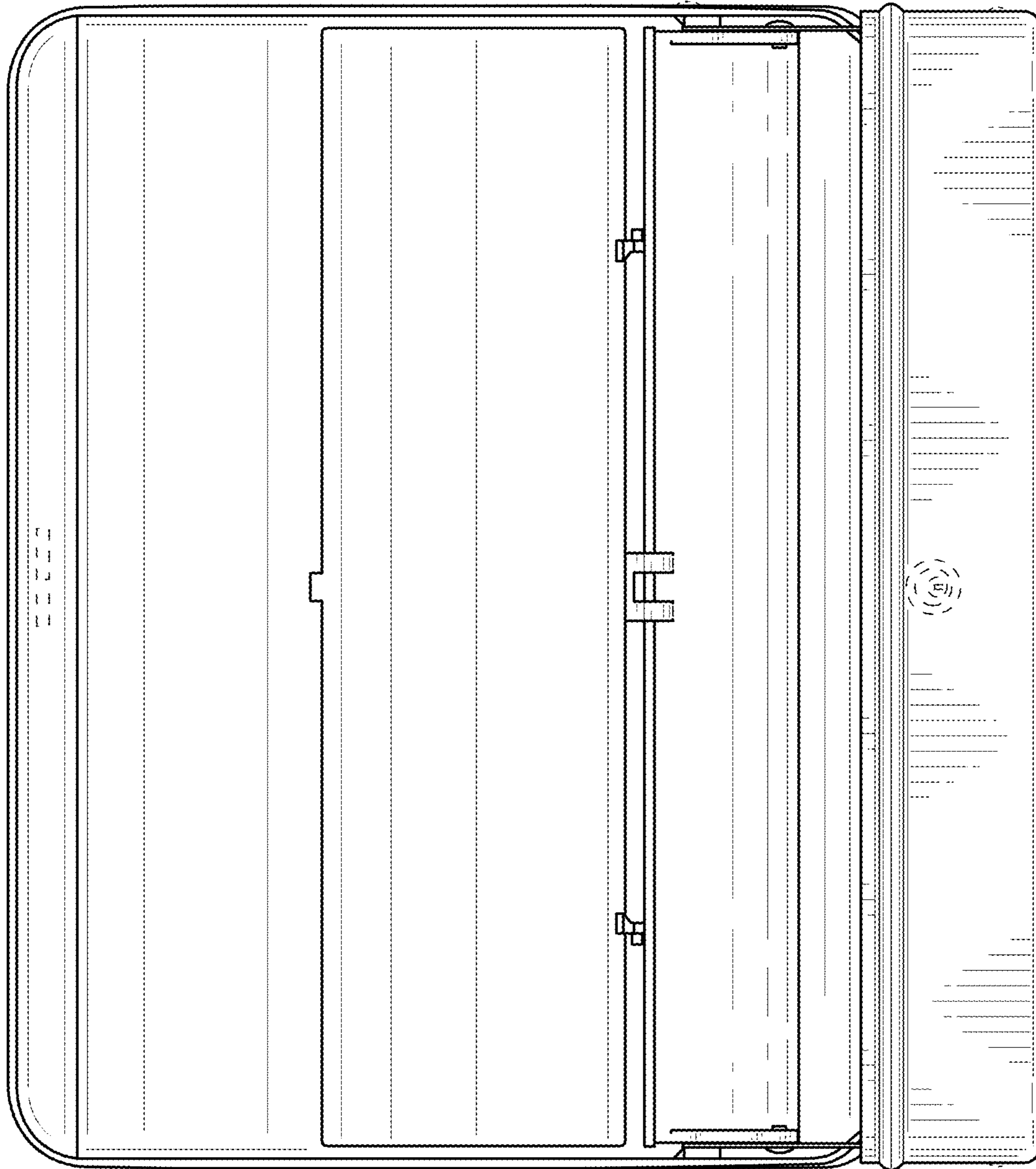
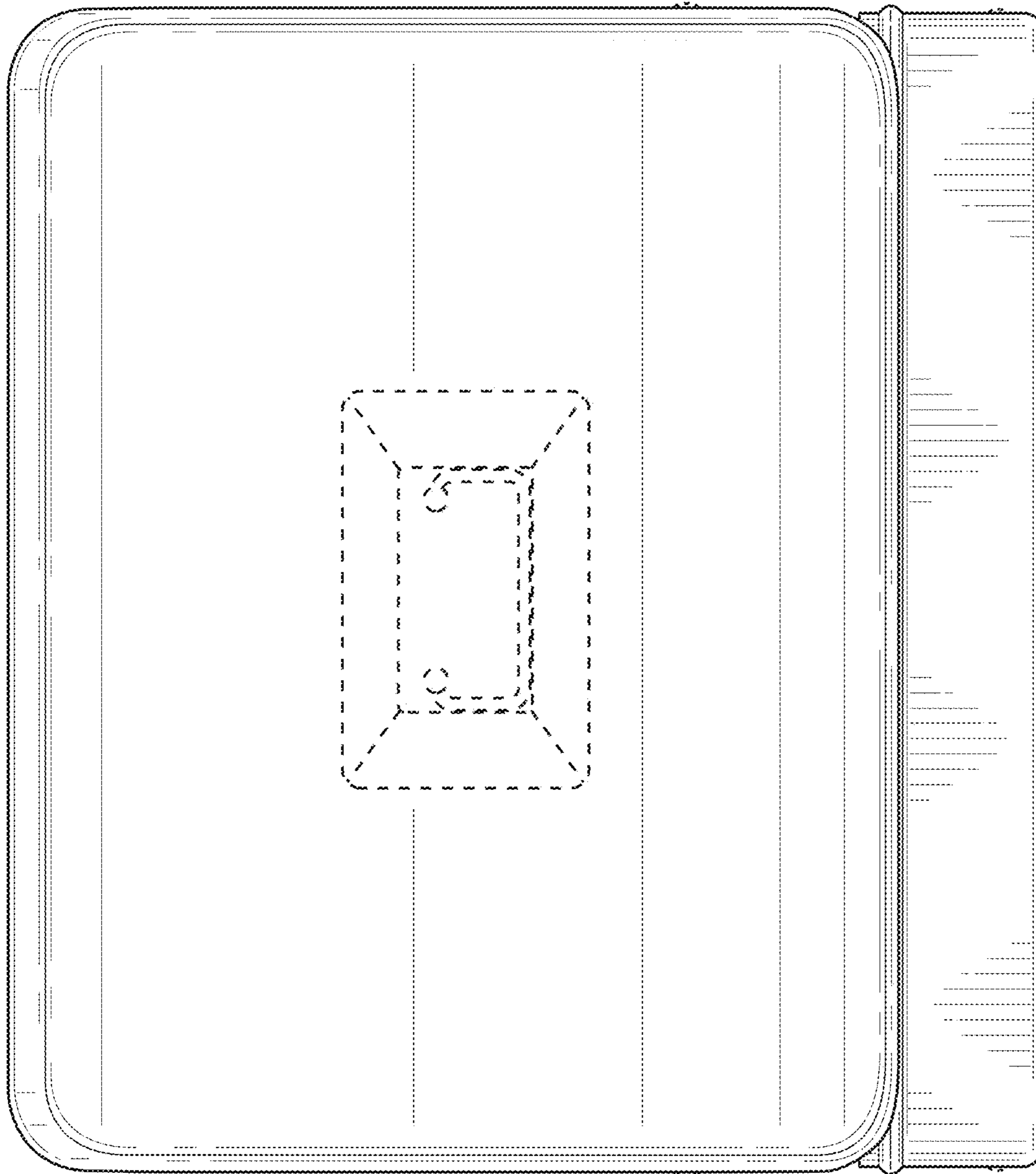


FIG. 6

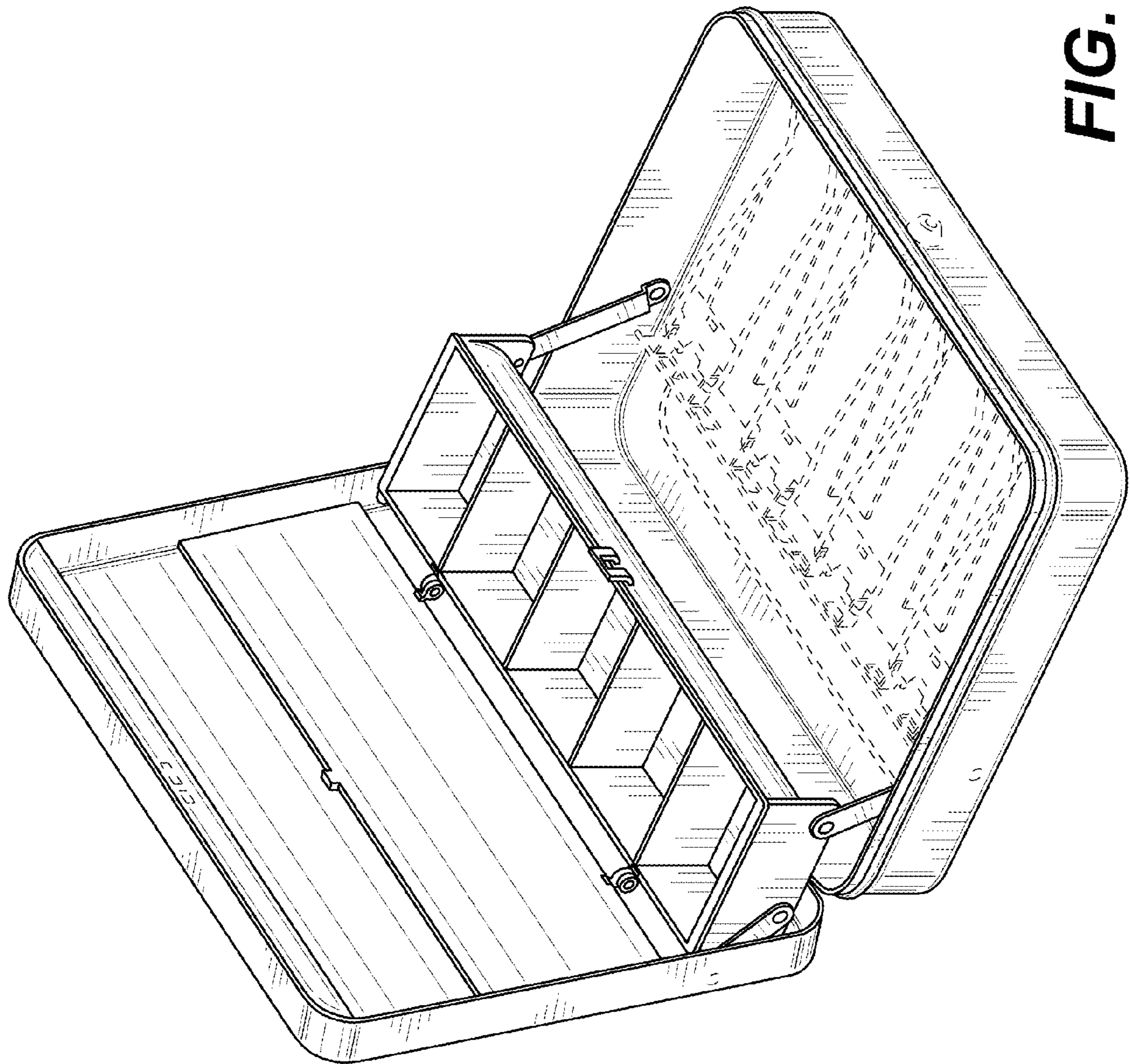




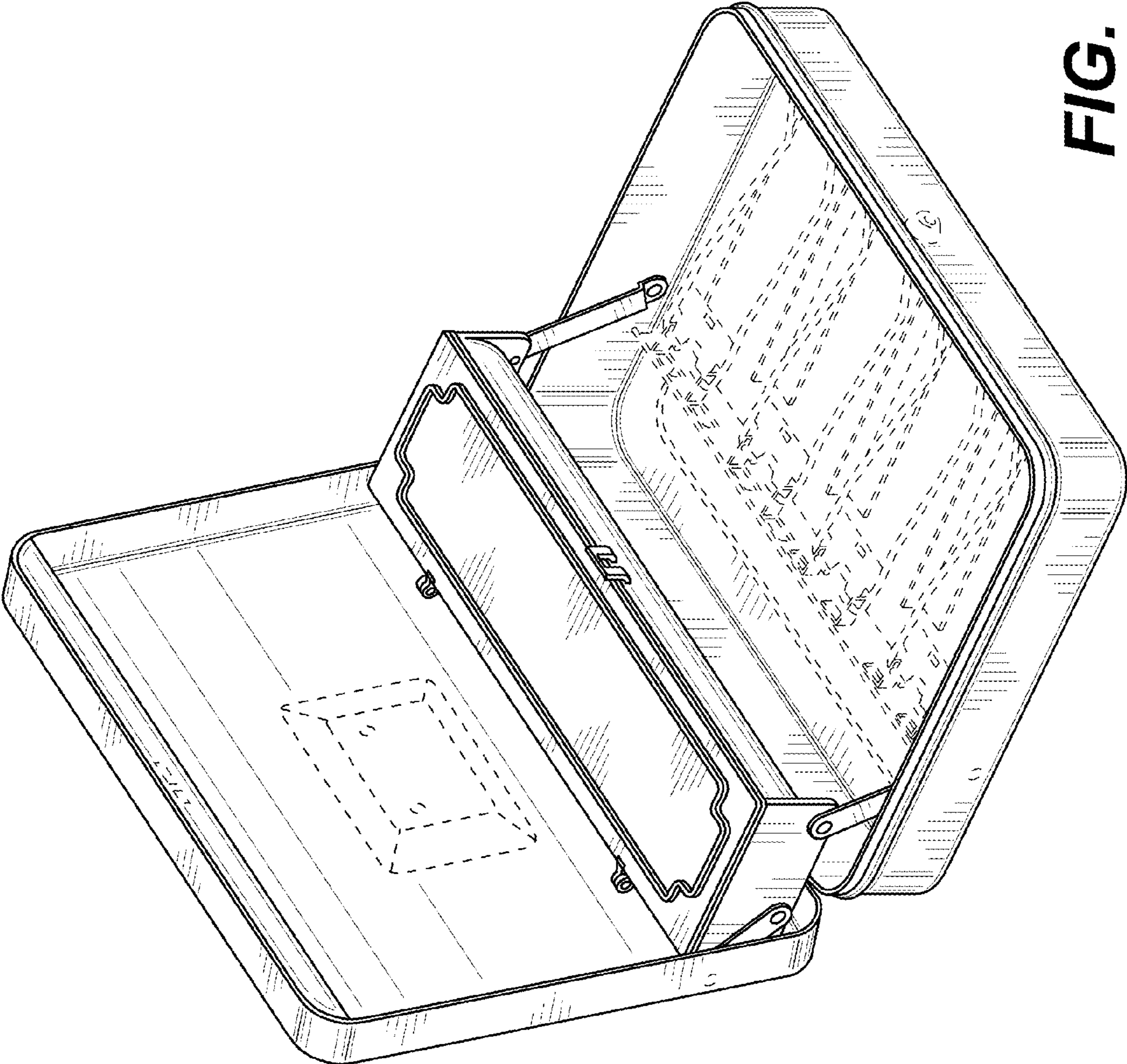
**FIG. 7**



**FIG. 8**



**FIG. 9**



**FIG. 10**