



US00D978476S

(12) **United States Design Patent**
Park

(10) **Patent No.:** **US D978,476 S**

(45) **Date of Patent:** **** Feb. 14, 2023**

(54) **AUTOMATED TELLER MACHINE**

(71) Applicant: **HAREX INFOTECH INC.**, Seoul (KR)

(72) Inventor: **Kyung Yang Park**, Seoul (KR)

(73) Assignee: **HAREX INFOTECH INC.**, Seoul (KR)

(**) Term: **15 Years**

(21) Appl. No.: **29/714,343**

(22) Filed: **Nov. 22, 2019**

(30) **Foreign Application Priority Data**

May 23, 2019 (KR) 30-2019-0024381

(51) **LOC (14) Cl.** **99-00**

(52) **U.S. Cl.**
USPC **D99/28**

(58) **Field of Classification Search**

USPC D99/28, 34, 35, 36, 43, 99; D3/902, 905, D3/201, 272, 273; D18/3.1, 3.3, 12.1

CPC A45C 1/12; A45C 2001/125; A45C 2001/102; A45C 2001/104; A45C 2001/006; A45C 2001/003; A45C 2001/105; A45C 2001/107; E05G 1/00; E05G 1/005; E05G 1/024; E05G 1/026; E05G 5/00; E05G 7/00; E05G 7/001; E05G 2700/00; E05G 2700/02; B63C 7/30; G07D 9/00; G07D 9/002; G07D 9/004; G07D 9/006; G07D 9/008; G07D 9/02; G07D 9/04; G07D 9/06; G07D 9/065; G07D 11/00; G07D 11/0021; G07D 13/00; G07D 2201/00; G07D 2211/00; G07F 9/06; G07F 9/08

See application file for complete search history.

(56) **References Cited**

U.S. PATENT DOCUMENTS

D291,019 S * 7/1987 Druihet D99/28
D308,279 S * 5/1990 Hill D99/28

D308,744 S * 6/1990 Arauchi D99/28
D393,526 S * 4/1998 Robey D99/28
D490,206 S * 5/2004 Perella D99/28
D503,024 S * 3/2005 Perella D99/28
D503,503 S * 3/2005 Perella D99/28
D504,990 S * 5/2005 Perella D99/28
D511,035 S * 10/2005 Perella D99/28
D574,124 S * 7/2008 Huber D99/28
D748,365 S * 1/2016 Nelson D99/28
D772,522 S * 11/2016 Henderson D99/28
10,132,113 B2 * 11/2018 Stevenson E05G 1/04
D876,044 S * 2/2020 Sisco D99/28

(Continued)

OTHER PUBLICATIONS

Trademark Global® Stalwart™ 8" Key Lock Cash Box With Coin Tray, Blue, https://www.quill.com/Trademark-Global-Stalwart-8-Key-Lock-Cash-Box-With-Coin-Tray-Blue/cbs/487538.html?effort_code=369&sfcp=1&gclsrc=aw.ds&cm_mmc=SEM_PLA_SHOP_MISC_7p_487538_N_N_HIGH&mcode=SEM_PLA_MISC, Jan. 1, 2015. (Year: 2015).*

Primary Examiner — Elizabeth J Oswecki

(74) *Attorney, Agent, or Firm* — Sughrue Mion, PLLC

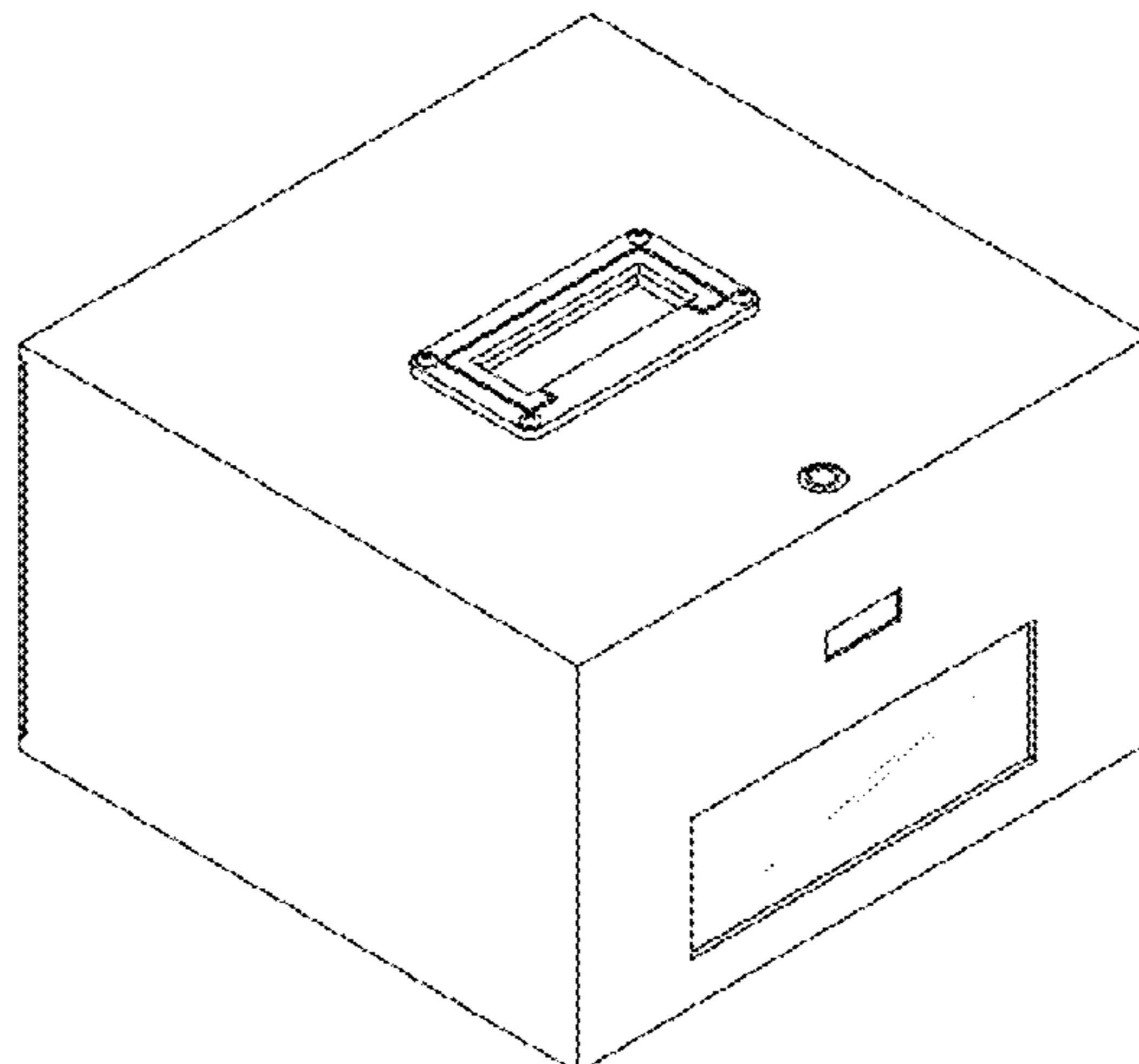
(57) **CLAIM**

The ornamental design for an automated teller machine, as shown and described.

DESCRIPTION

FIG. 1 is a perspective view of an automated teller machine, showing my new design;
FIG. 2 is a front view thereof;
FIG. 3 is a rear view thereof;
FIG. 4 is a left side view thereof;
FIG. 5 is a right side view thereof;
FIG. 6 is a top view thereof; and,
FIG. 7 is a bottom view thereof.
The features depicted in broken lines form no part of the claimed design.

1 Claim, 4 Drawing Sheets



(56)

References Cited

U.S. PATENT DOCUMENTS

D880,102	S *	3/2020	Quinn	D99/28
D880,103	S *	3/2020	Quinn	D99/28
D893,123	S *	8/2020	Yu	D99/28
D904,724	S *	12/2020	Zhang	D99/28
D919,225	S *	5/2021	Sheng	D99/28
D920,623	S *	5/2021	Loeppert	D99/28
D920,624	S *	5/2021	Loeppert	D99/28
D922,723	S *	6/2021	da Silva Girão	D99/28
D950,882	S *	5/2022	Connolly	D99/28
2003/0011466	A1 *	1/2003	Samuel	A45C 13/24 340/568.7
2004/0045329	A1 *	3/2004	Farnham	E05B 73/0005 70/161
2012/0042704	A1 *	2/2012	Chang	A45C 13/10 70/63
2013/0025511	A1 *	1/2013	Maxwell	E05G 1/04 109/59 R
2015/0371468	A1 *	12/2015	Mackin	G06Q 10/0836 340/5.26
2019/0159620	A1 *	5/2019	Veon	A45C 11/00
2021/0166513	A1 *	6/2021	Connolly	G06F 21/604

* cited by examiner

FIG. 1

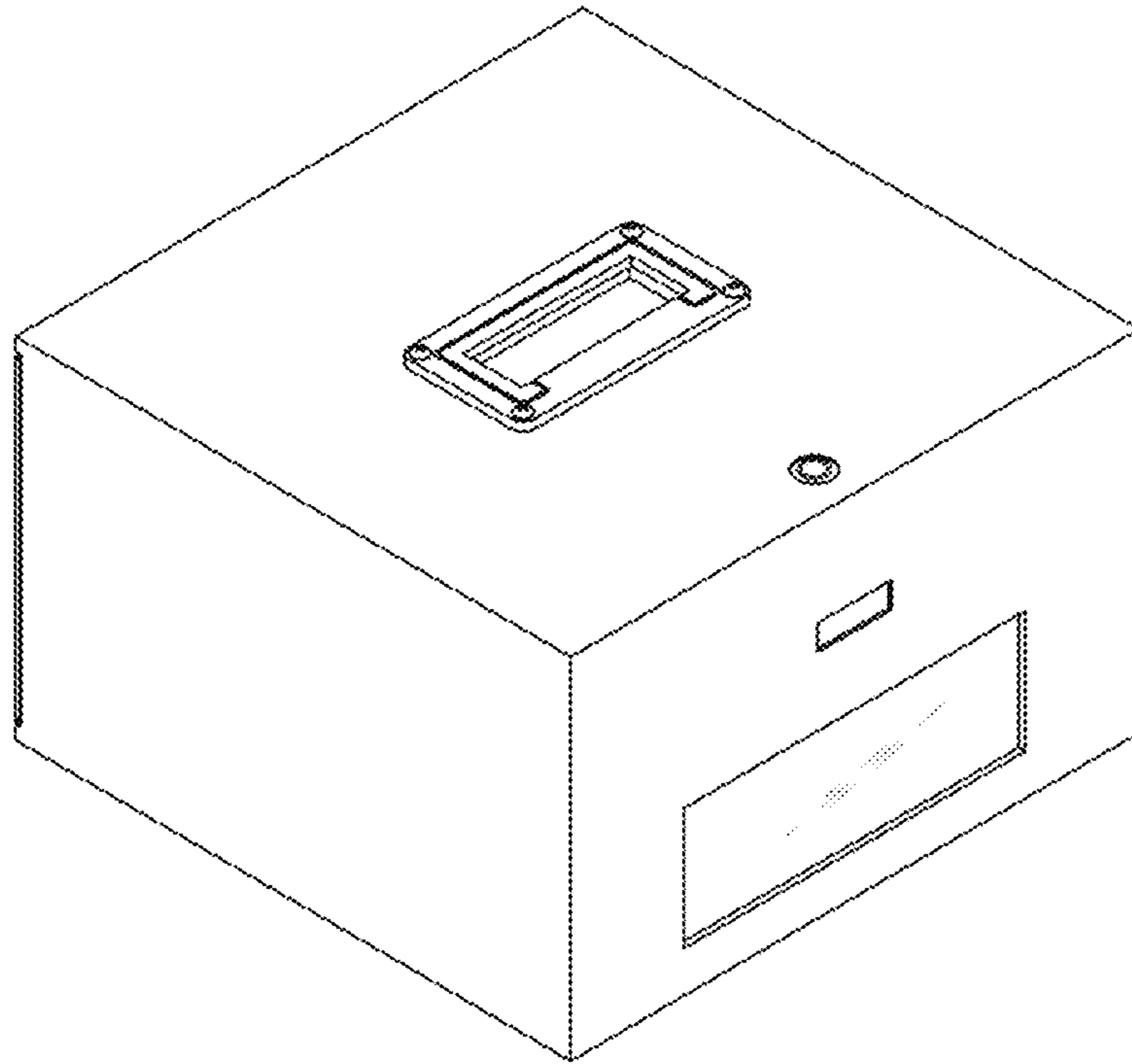


FIG. 2

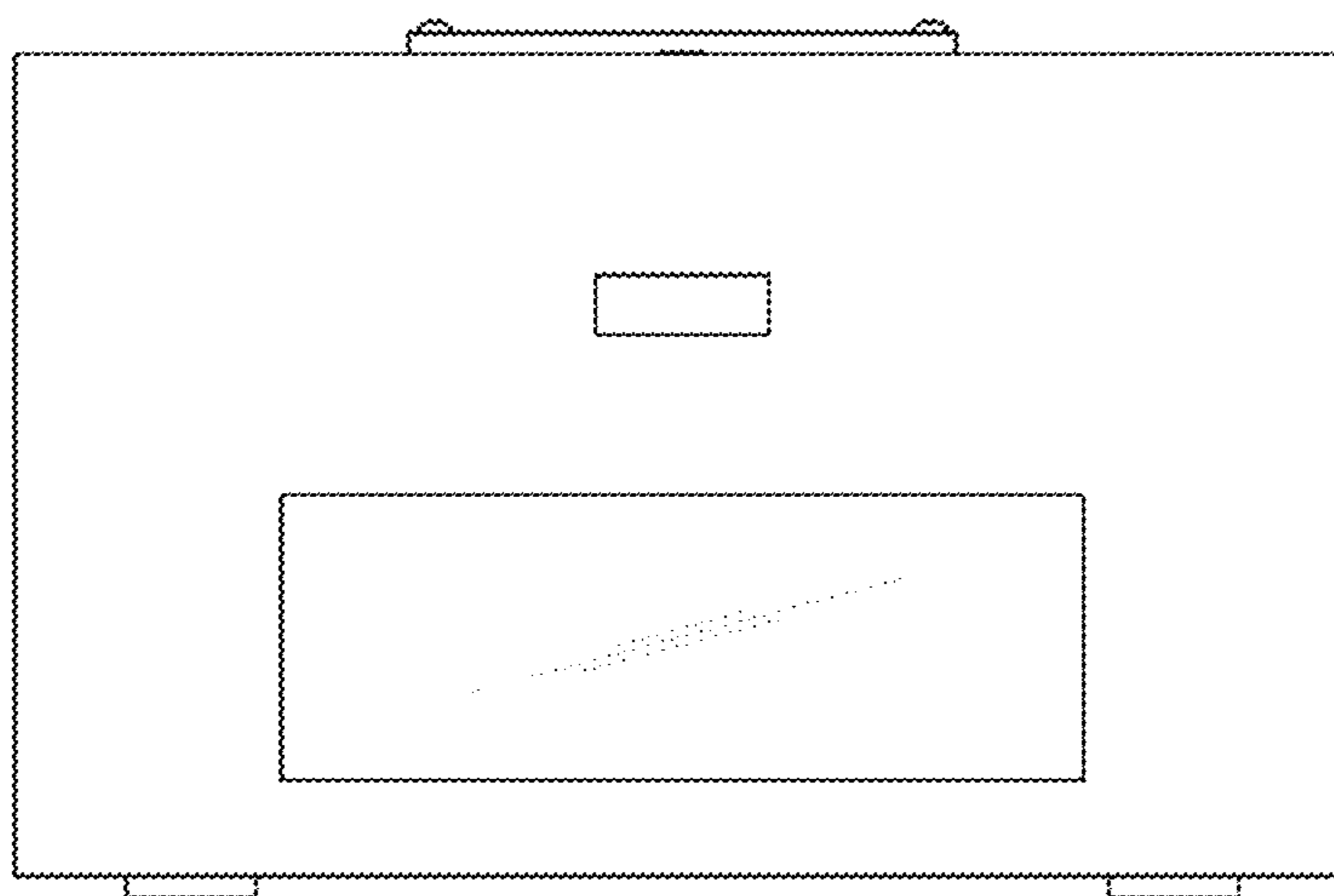


FIG. 3

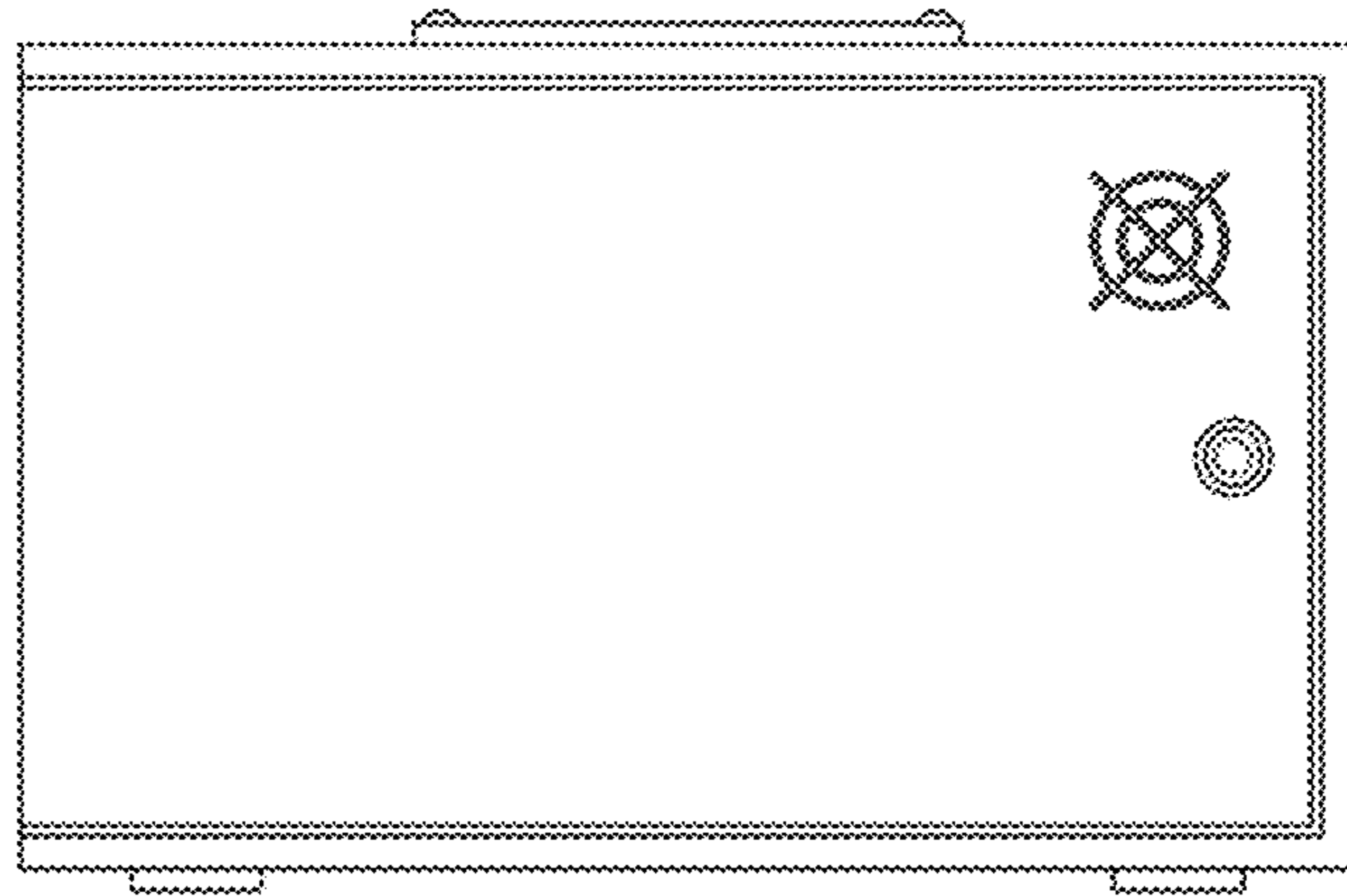


FIG. 4

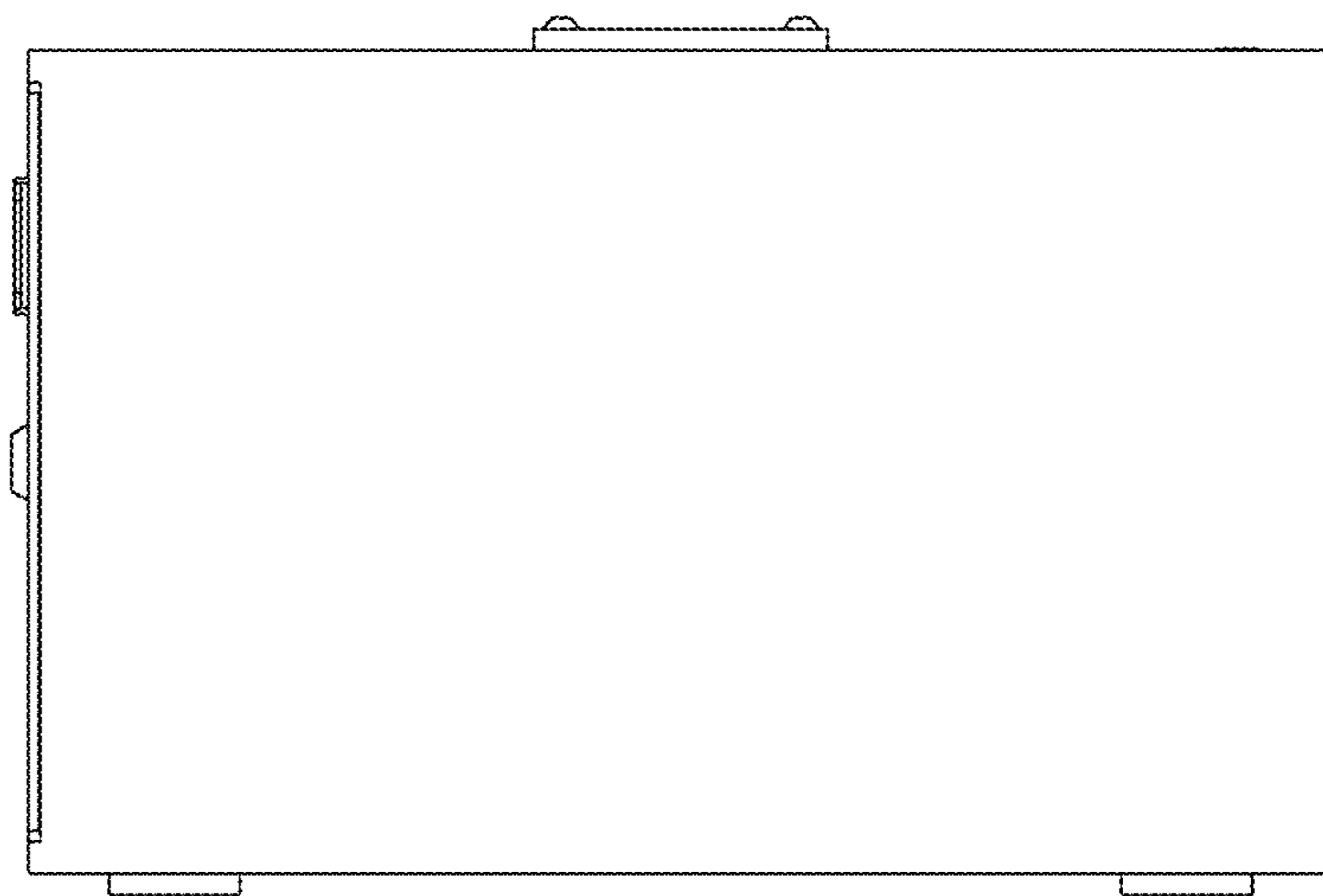


FIG. 5

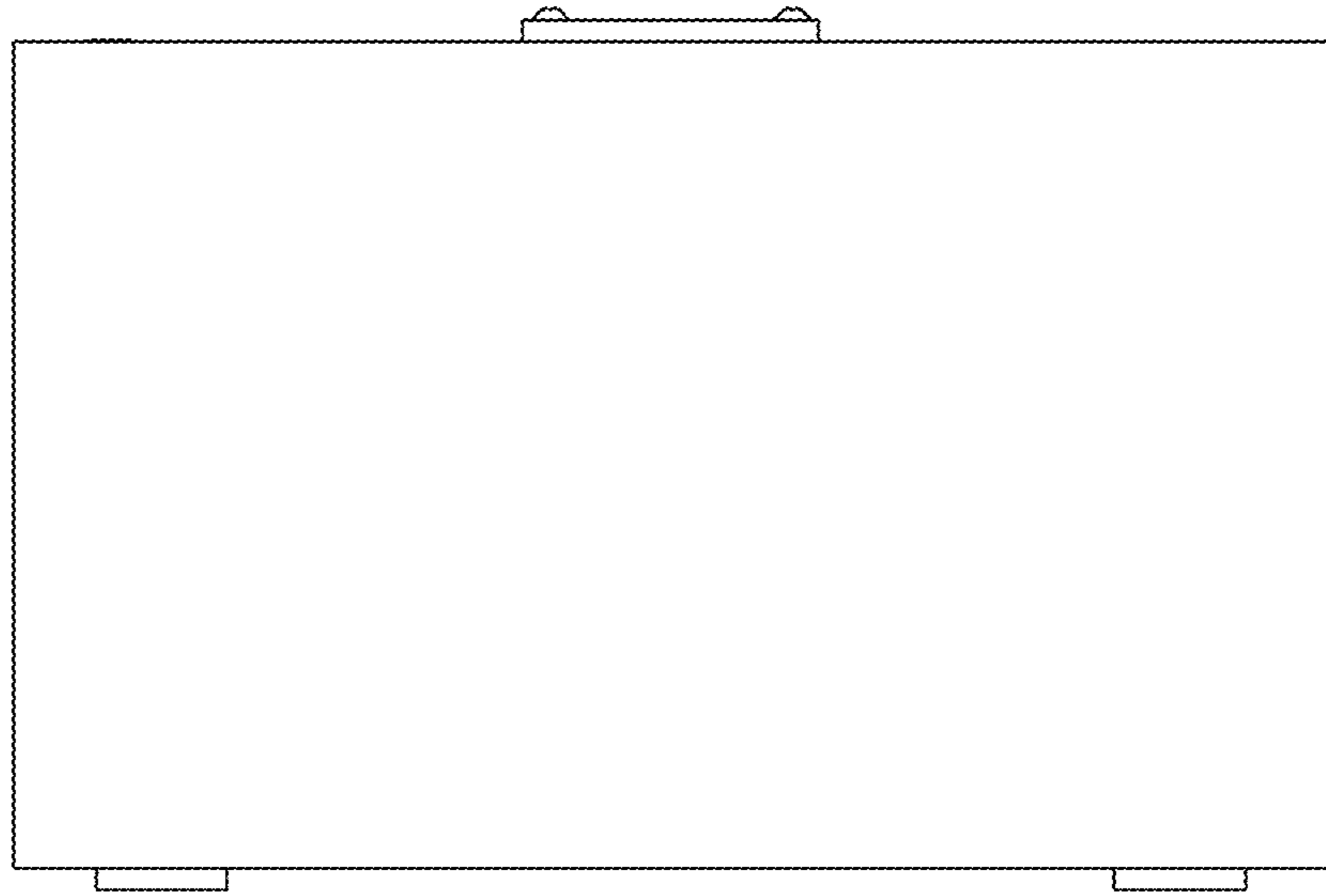


FIG. 6

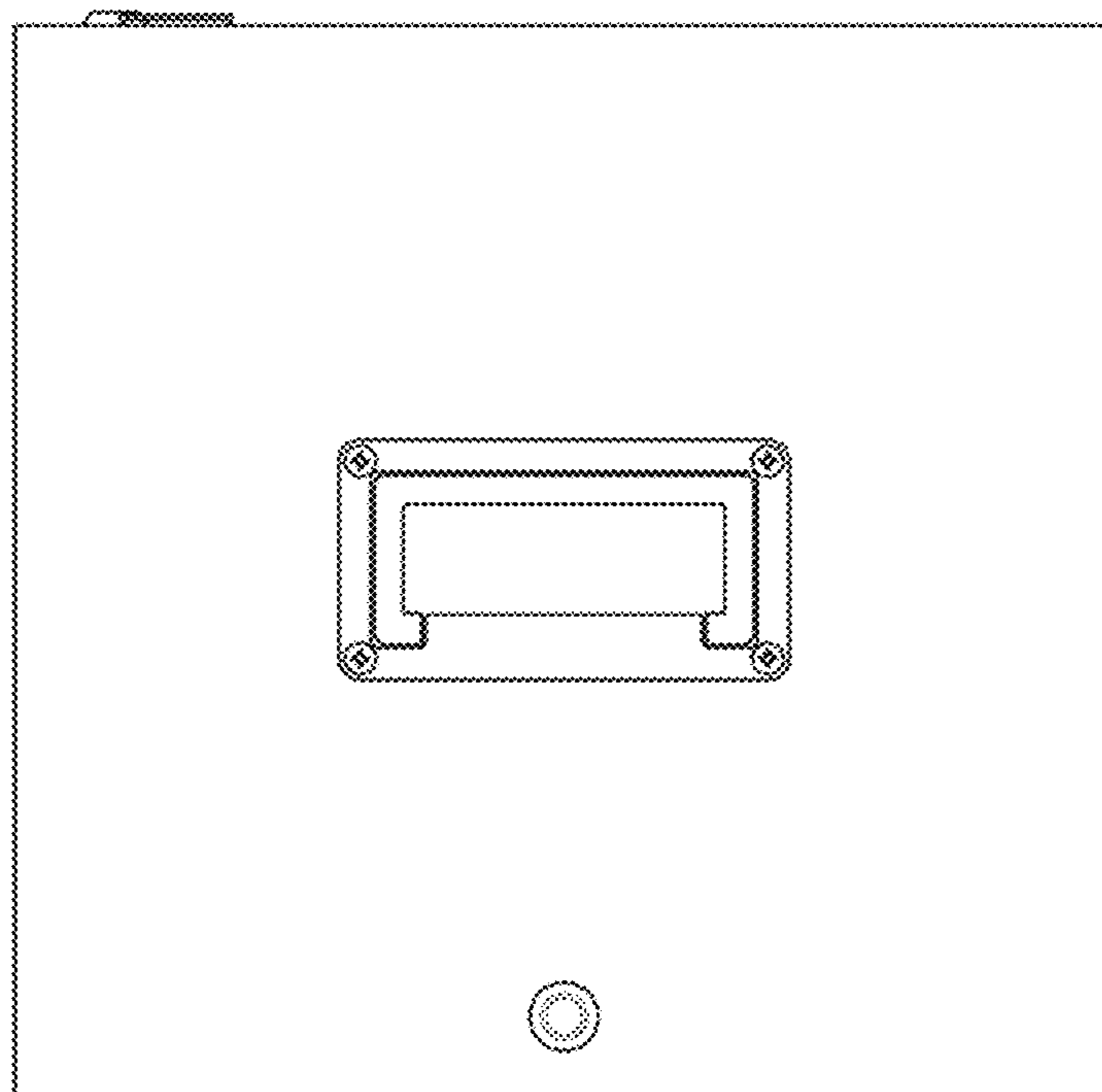


FIG. 7

