

US00D978475S

(12) **United States Design Patent** (10) **Patent No.:** **US D978,475 S**  
**Godinger** (45) **Date of Patent:** **\*\* Feb. 14, 2023**

(54) **OCTAGON MENORAH**  
(71) Applicant: **Godinger Silver Art Ltd.**, Ridgewood, NY (US)  
(72) Inventor: **Arnold Godinger**, Brooklyn, NY (US)  
(73) Assignee: **Godinger Silver Art Ltd.**, Ridgewood, NY (US)

(\*\*) Term: **15 Years**

(21) Appl. No.: **29/775,643**

(22) Filed: **Mar. 24, 2021**

(51) **LOC (14) Cl.** ..... **11-01**

(52) **U.S. Cl.**  
USPC ..... **D99/25**

(58) **Field of Classification Search**  
USPC ..... D99/25-27; D11/3-5; D26/13  
CPC ..... G09B 19/00; A44C 25/002; A44C 25/005;  
A44C 23/00; F23D 3/16  
See application file for complete search history.

(56) **References Cited**

**U.S. PATENT DOCUMENTS**

- 3,681,588 A \* 8/1972 Lee ..... F21S 6/001  
362/569
- 4,406,616 A \* 9/1983 Greenvourcel ..... F21V 35/00  
D11/146
- D364,934 S \* 12/1995 Baraka ..... D26/13
- 6,006,900 A \* 12/1999 Hasten ..... A47G 33/00  
206/232
- 6,186,776 B1 \* 2/2001 Myerchin ..... F23D 3/16  
431/295
- 6,702,107 B1 \* 3/2004 Raz ..... A47G 33/00  
D99/25
- D525,009 S \* 7/2006 McKenney ..... D99/25
- D854,201 S \* 7/2019 Waller ..... D26/14
- 2005/0196716 A1 \* 9/2005 Haab ..... F21S 10/043  
431/126
- 2005/0277078 A1 \* 12/2005 Papai ..... F23D 3/16  
431/291

- 2009/0135600 A1 \* 5/2009 Becker ..... A47G 33/00  
362/249.14
- 2010/0261124 A1 \* 10/2010 Neumeier ..... F23D 3/16  
431/126
- 2014/0116969 A1 \* 5/2014 Bogart ..... A47G 33/00  
211/13.1

**FOREIGN PATENT DOCUMENTS**

IL 58646 \* 6/2018

**OTHER PUBLICATIONS**

Joss and Main website 2022, Octagonal Menorah, website visited Nov. 28, 2022, <https://www.jossandmain.com/Godinger-Silver-Art-Co--Marble-Octagonal-Menorah-70795-L6373-K~RXK11582.html?refid=GX265642314218>.\*

\* cited by examiner

*Primary Examiner* — John R Yeh

(74) *Attorney, Agent, or Firm* — Bochner IP, PLLC; Andrew D. Bochner

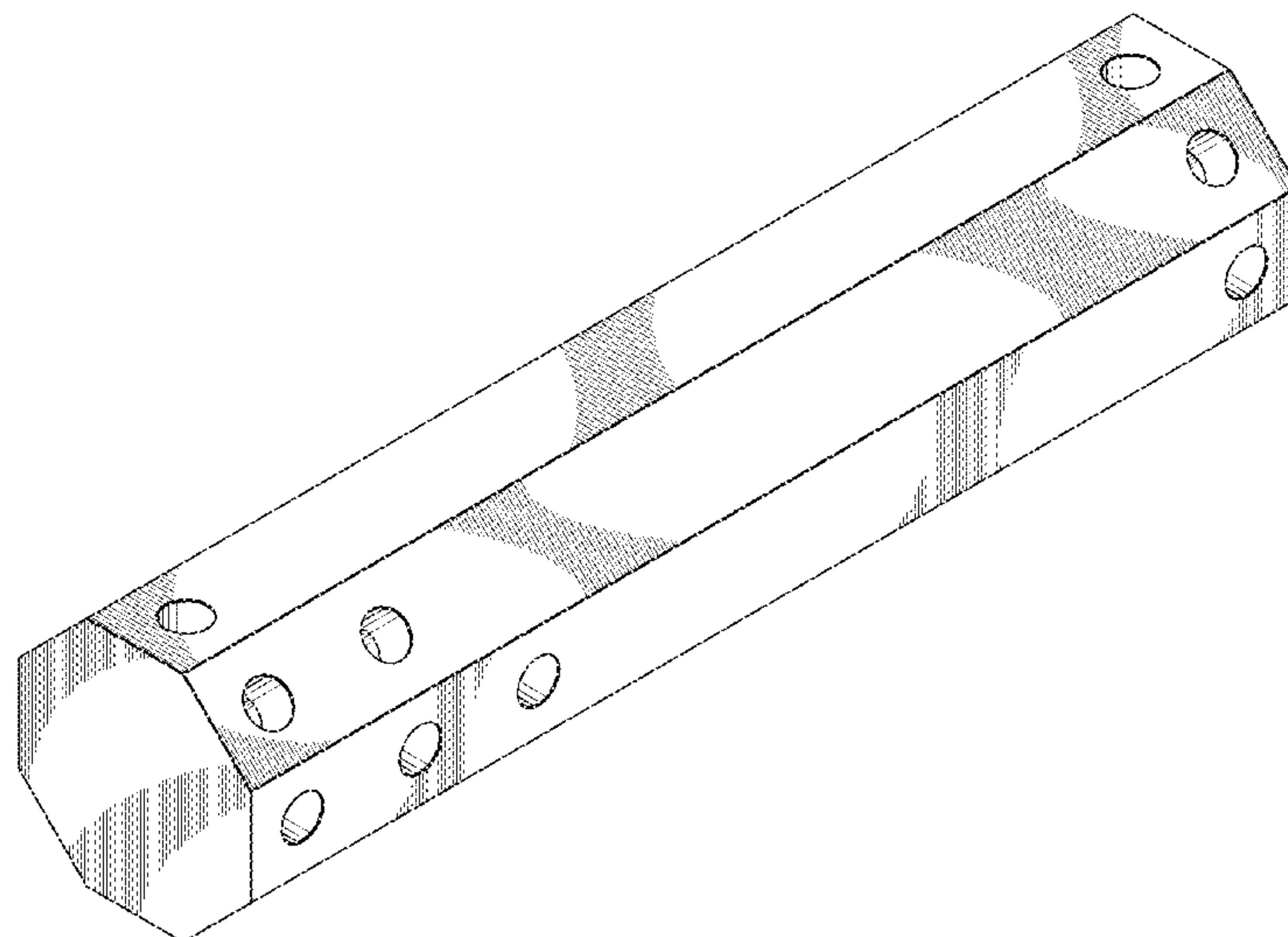
(57) **CLAIM**

The ornamental design for an octagon menorah, as shown and described.

**DESCRIPTION**

FIG. 1 is a top, front, right side perspective view of the octagon menorah;  
FIG. 2 is a front elevation view thereof;  
FIG. 3 is a rear elevation view thereof;  
FIG. 4 is a left side elevation view thereof;  
FIG. 5 is a right side elevation view thereof;  
FIG. 6 is a top plan view thereof;  
FIG. 7 is a bottom plan view thereof; and,  
FIG. 8 is a cross-section view, shown at an enlarged scale, taken along line 8-8 of FIG. 5 thereof.  
In the drawings, the broken lines are for the purpose of illustrating environment only, and form no part of the claimed design.

**1 Claim, 3 Drawing Sheets**



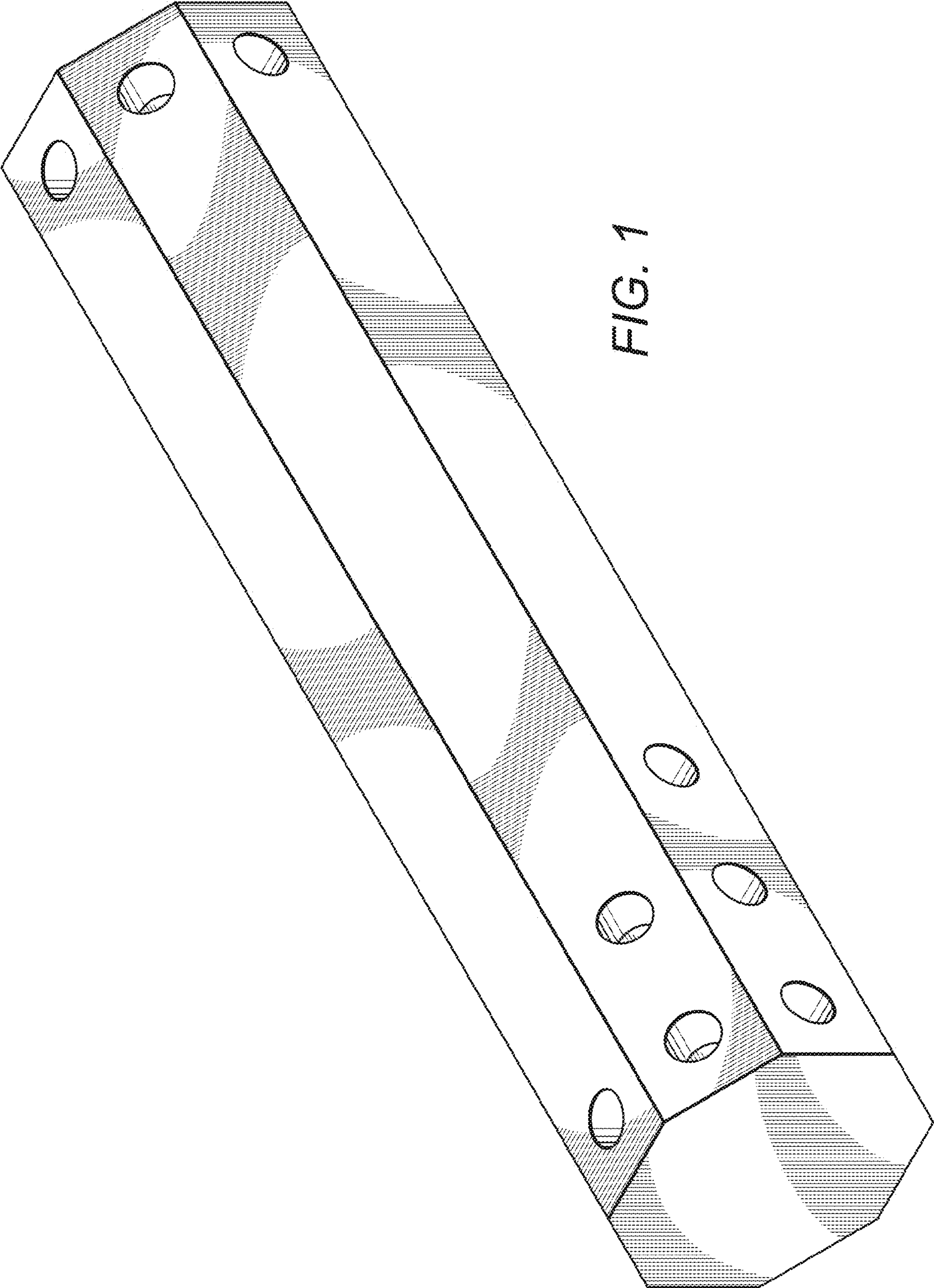


FIG. 1



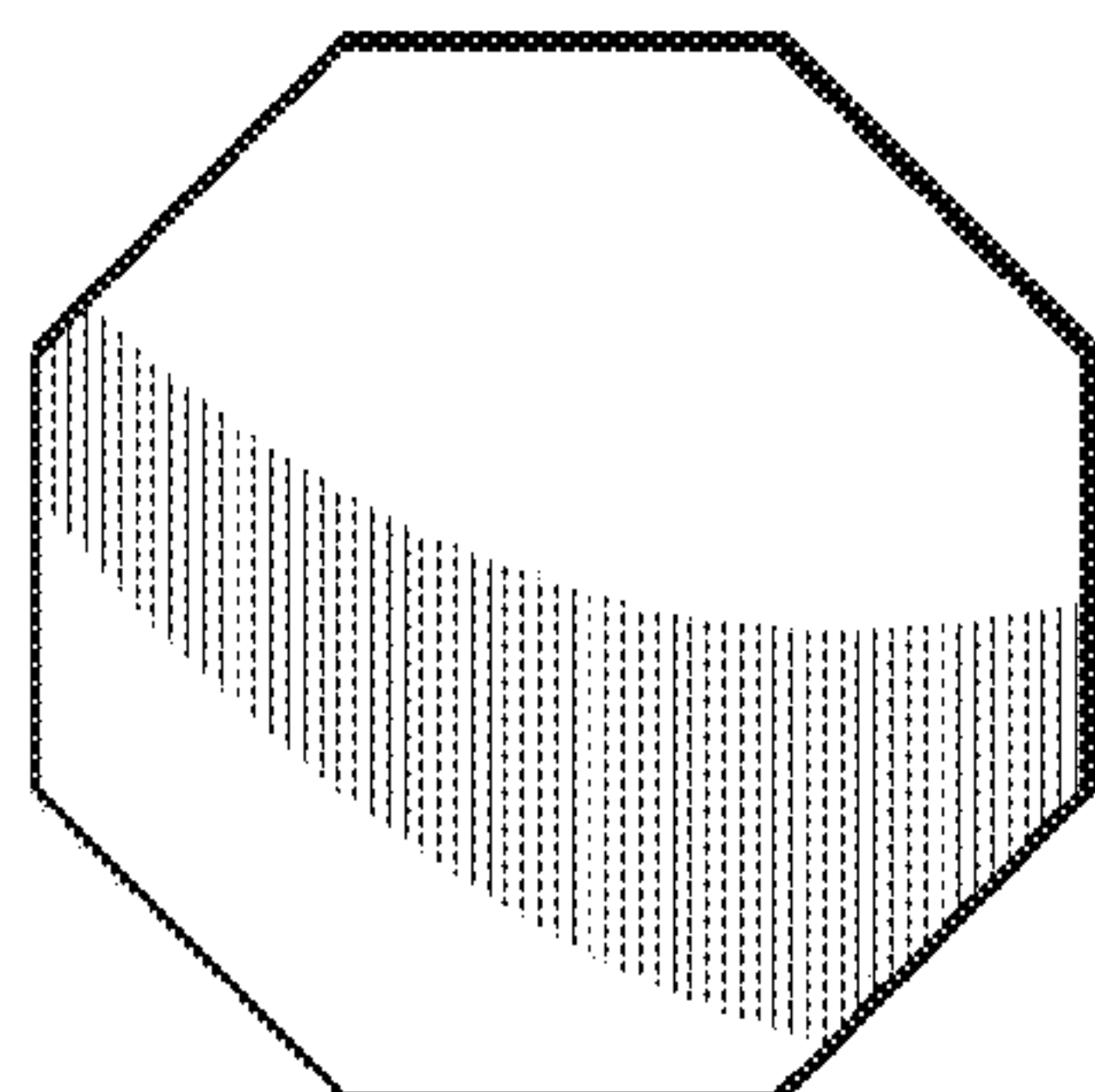


FIG. 2

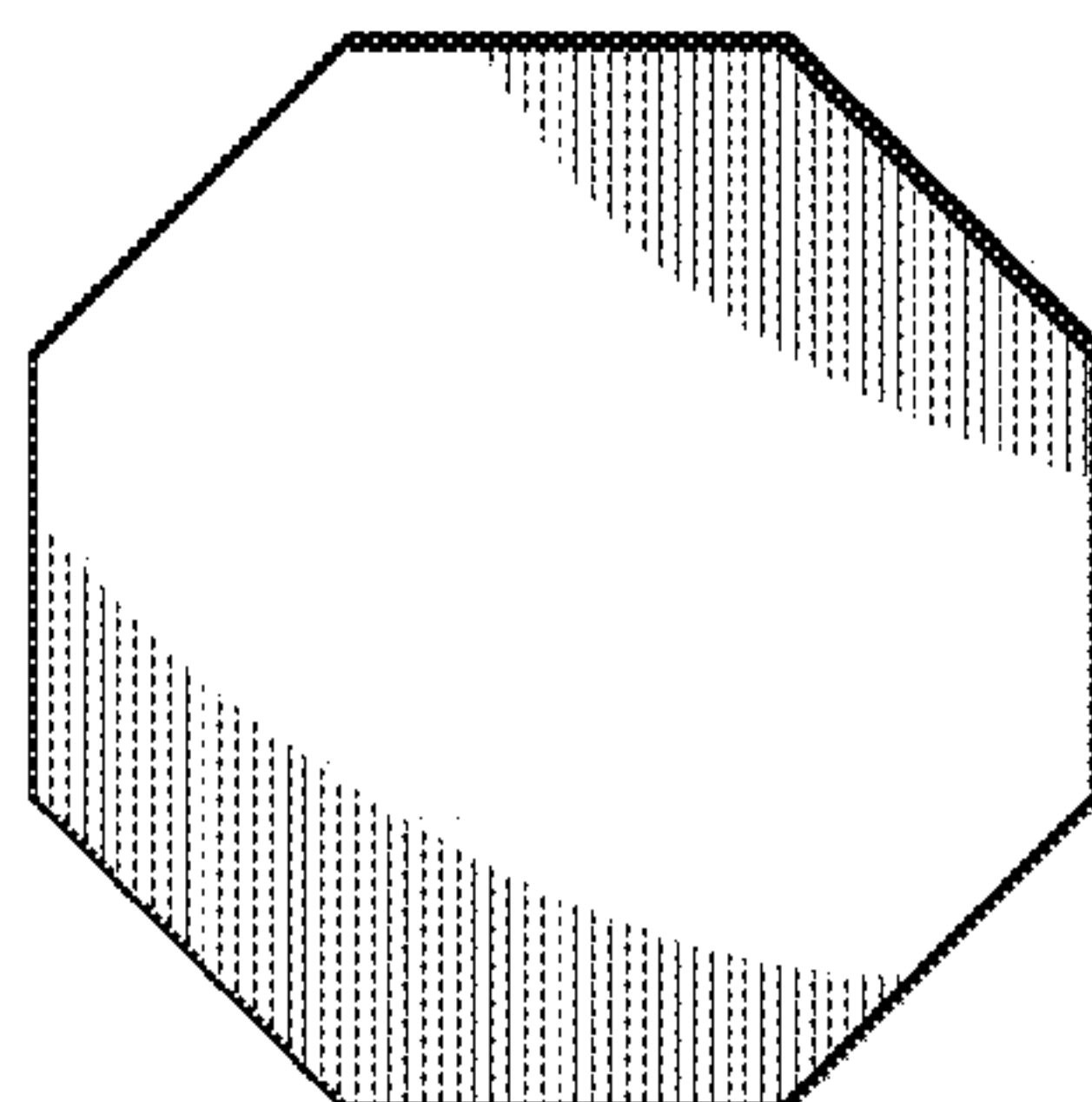


FIG. 3

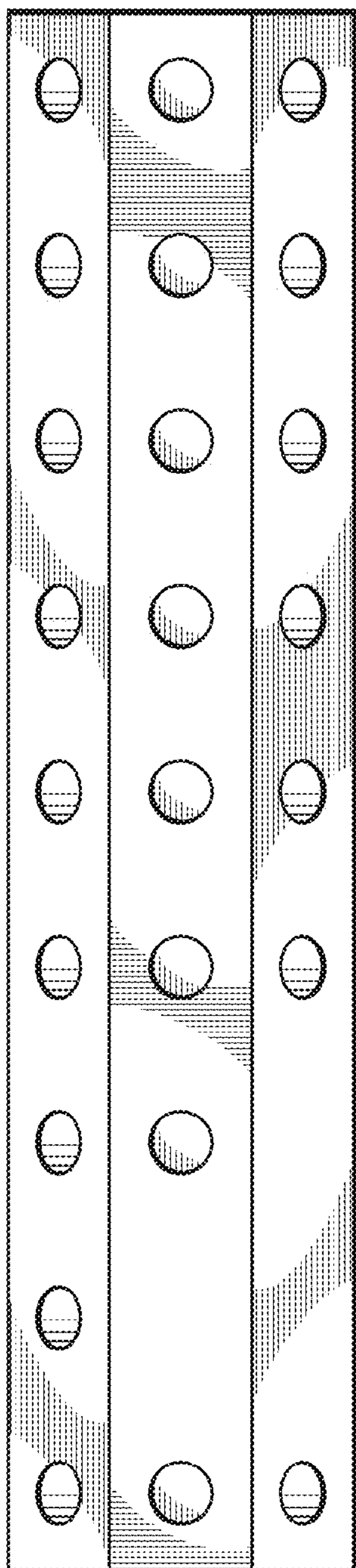


FIG. 4

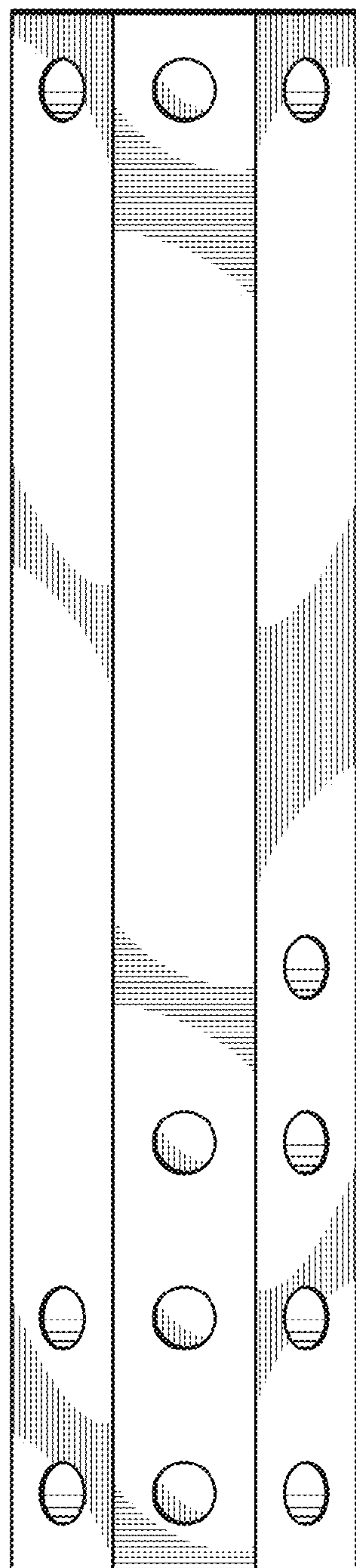


FIG. 5

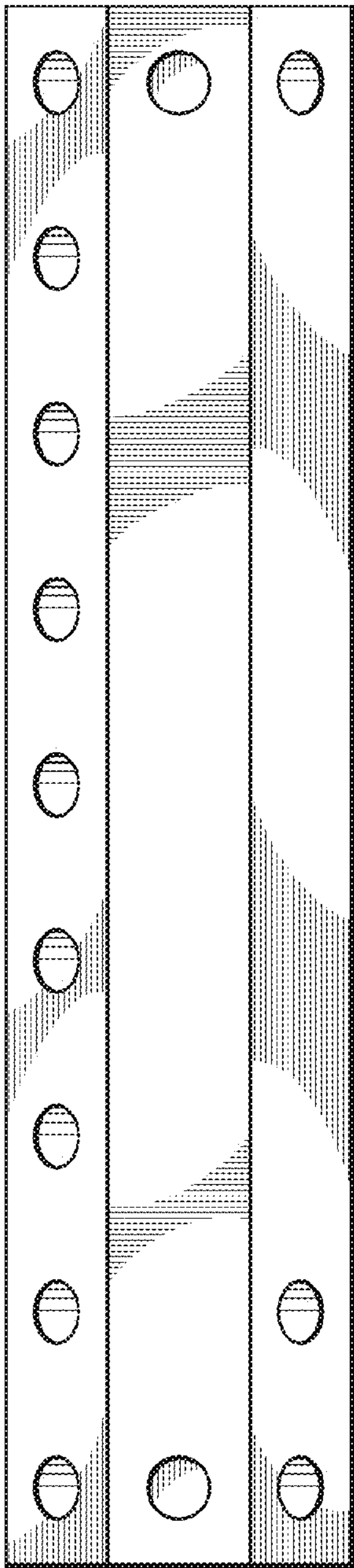


FIG. 6

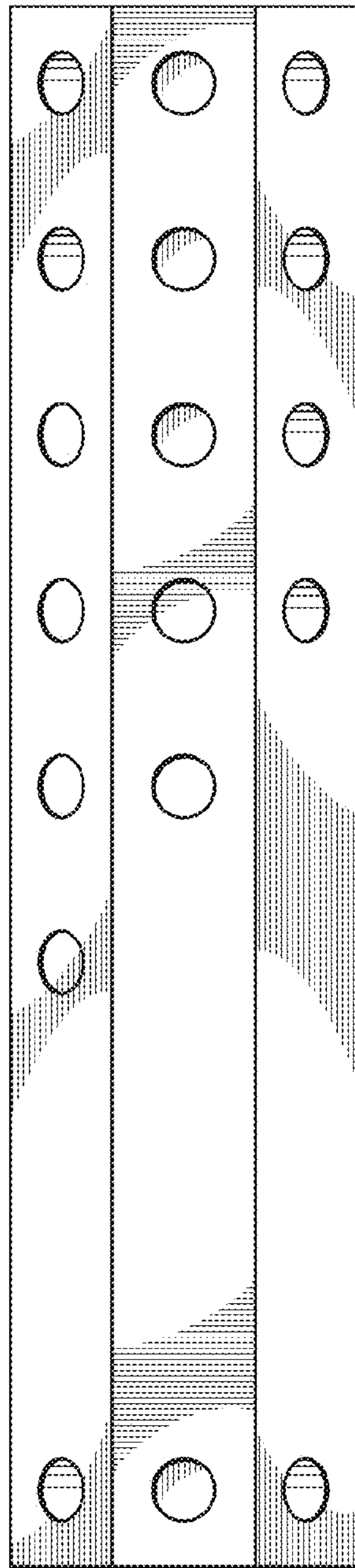


FIG. 7

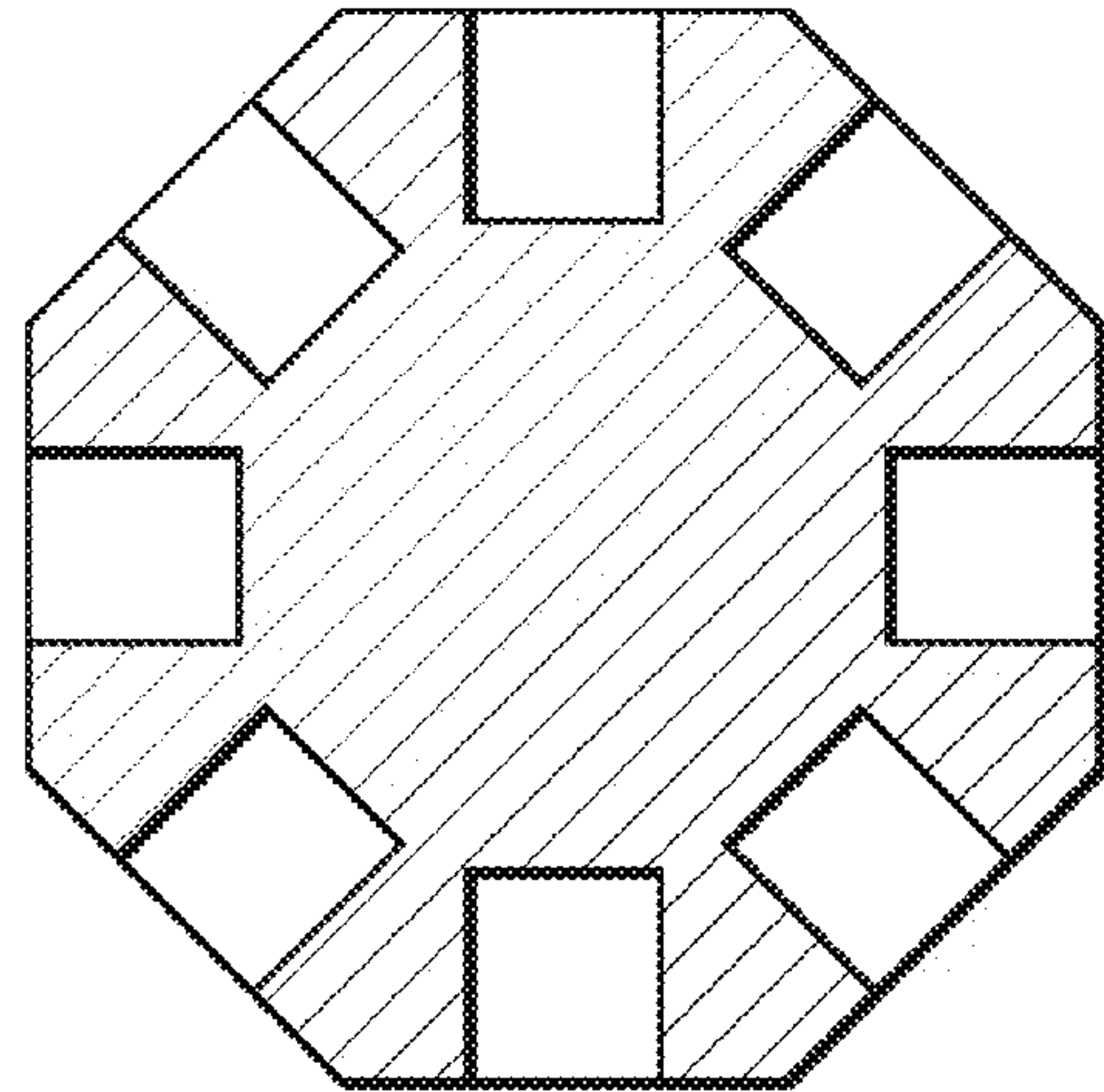


FIG. 8