



US00D978472S

(12) **United States Design Patent** (10) **Patent No.:** **US D978,472 S**  
**Wells** (45) **Date of Patent:** **\*\* Feb. 14, 2023**

(54) **FISHING HAND CART**  
(71) Applicant: **Lynnartis Wells**, Littleton, CO (US)  
(72) Inventor: **Lynnartis Wells**, Littleton, CO (US)  
(\*\*) Term: **15 Years**  
(21) Appl. No.: **29/765,280**  
(22) Filed: **Jan. 7, 2021**  
(51) **LOC (14) Cl.** ..... **12-02**  
(52) **U.S. Cl.**  
USPC ..... **D34/24; D3/260**  
(58) **Field of Classification Search**  
USPC ..... D3/216–217, 221, 225–226, 230, 254,  
D3/259–260, 262, 269, 273, 276, 279,  
D3/283, 286–287, 289–290, 301,  
D3/904–905; D22/136; D34/12, 14,  
D34/24–26  
CPC .. B62B 1/26; B62B 1/12; B62B 1/262; B62B  
1/008; A45C 5/14  
See application file for complete search history.

5,484,154 A \* 1/1996 Ward ..... F16M 11/242  
280/43.1  
D384,391 S \* 9/1997 Bastian ..... D22/148  
D411,360 S 6/1999 Fredes  
6,082,757 A 7/2000 Lin  
D463,649 S \* 9/2002 Halstead ..... D34/24  
D468,528 S \* 1/2003 Tornell ..... D3/255  
6,883,267 B1 4/2005 Pruitt  
7,320,470 B1 1/2008 Butera  
D632,448 S \* 2/2011 Simko ..... D34/12  
2002/0070517 A1\* 6/2002 Ramsey ..... B62B 5/06  
280/47.35  
2015/0291194 A1\* 10/2015 Robinson ..... B62B 1/12  
280/47.18

**FOREIGN PATENT DOCUMENTS**

CN 306058539 \* 9/2020  
GB 2298620 11/1996

\* cited by examiner

*Primary Examiner* — Michelle E. Wilson  
*Assistant Examiner* — Caitlin A Laverty

(57) **CLAIM**

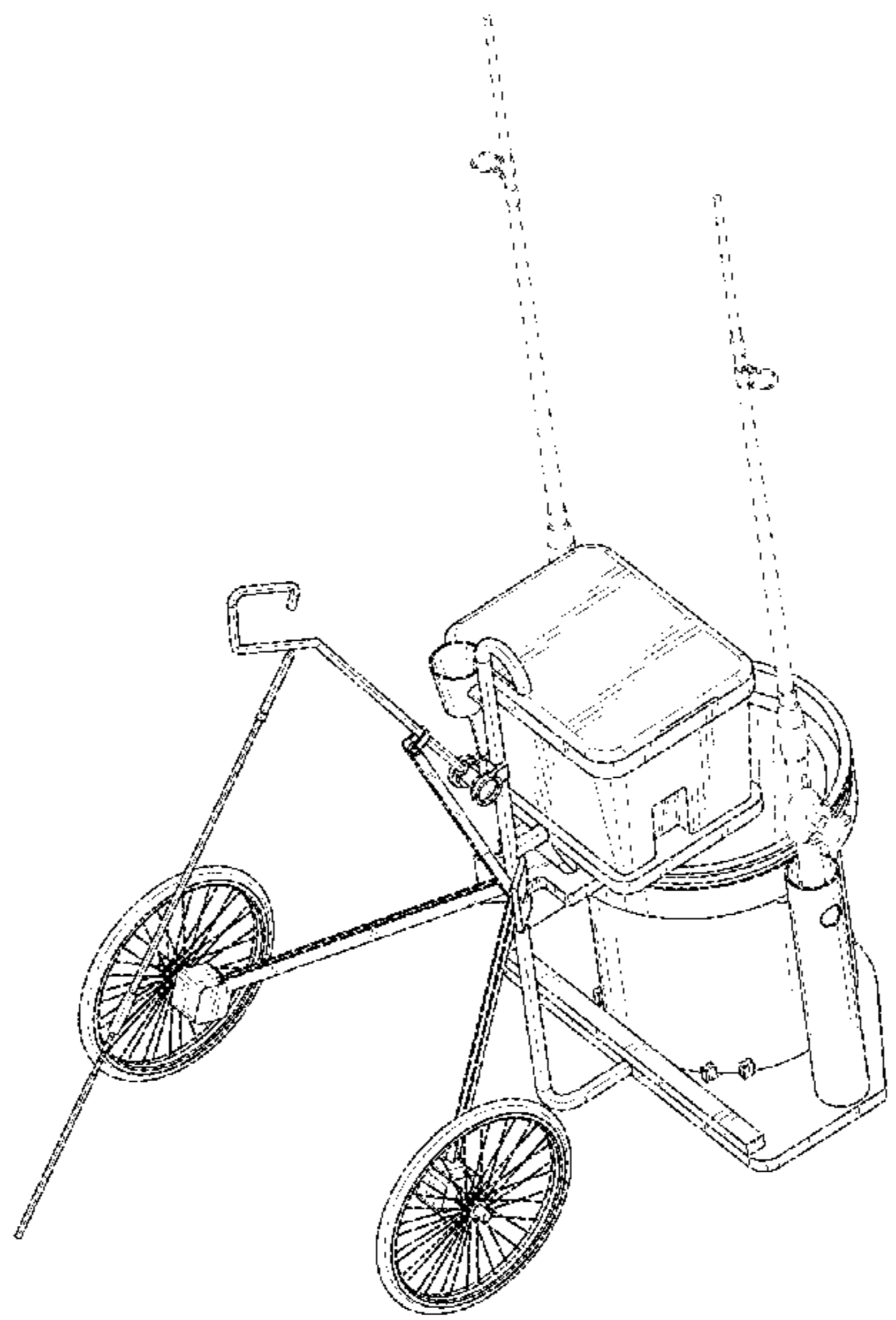
The ornamental design for a fishing hand cart, as shown and described.

**DESCRIPTION**

FIG. 1 is a front view of a fishing hand cart showing my new design;  
FIG. 2 is a rear view of the fishing hand cart;  
FIG. 3 is a right side view of the fishing hand cart;  
FIG. 4 is a left side view of the fishing hand cart;  
FIG. 5 is a top view of the fishing hand cart;  
FIG. 6 is a bottom view of the fishing hand cart; and,  
FIG. 7 is a top rear side perspective view of the fishing hand cart.  
The broken lines in FIG. 7 are illustrative of environmental structure forming no part of the claimed design.

**1 Claim, 7 Drawing Sheets**

(56) **References Cited**  
U.S. PATENT DOCUMENTS  
2,449,910 A \* 9/1948 Quiring ..... B62B 1/262  
280/DIG. 6  
2,774,403 A \* 12/1956 Williamson ..... B62B 1/262  
280/DIG. 6  
3,071,387 A \* 1/1963 Beaman ..... B62B 1/12  
280/47.24  
3,997,181 A 12/1976 Jaco  
4,355,818 A 10/1982 Watts  
5,193,842 A \* 3/1993 Fontenot ..... B62B 1/06  
280/DIG. 6  
5,340,135 A 8/1994 Womberly  
5,380,033 A \* 1/1995 Harling ..... B62B 1/14  
280/654  
D356,410 S \* 3/1995 Cole ..... D34/24



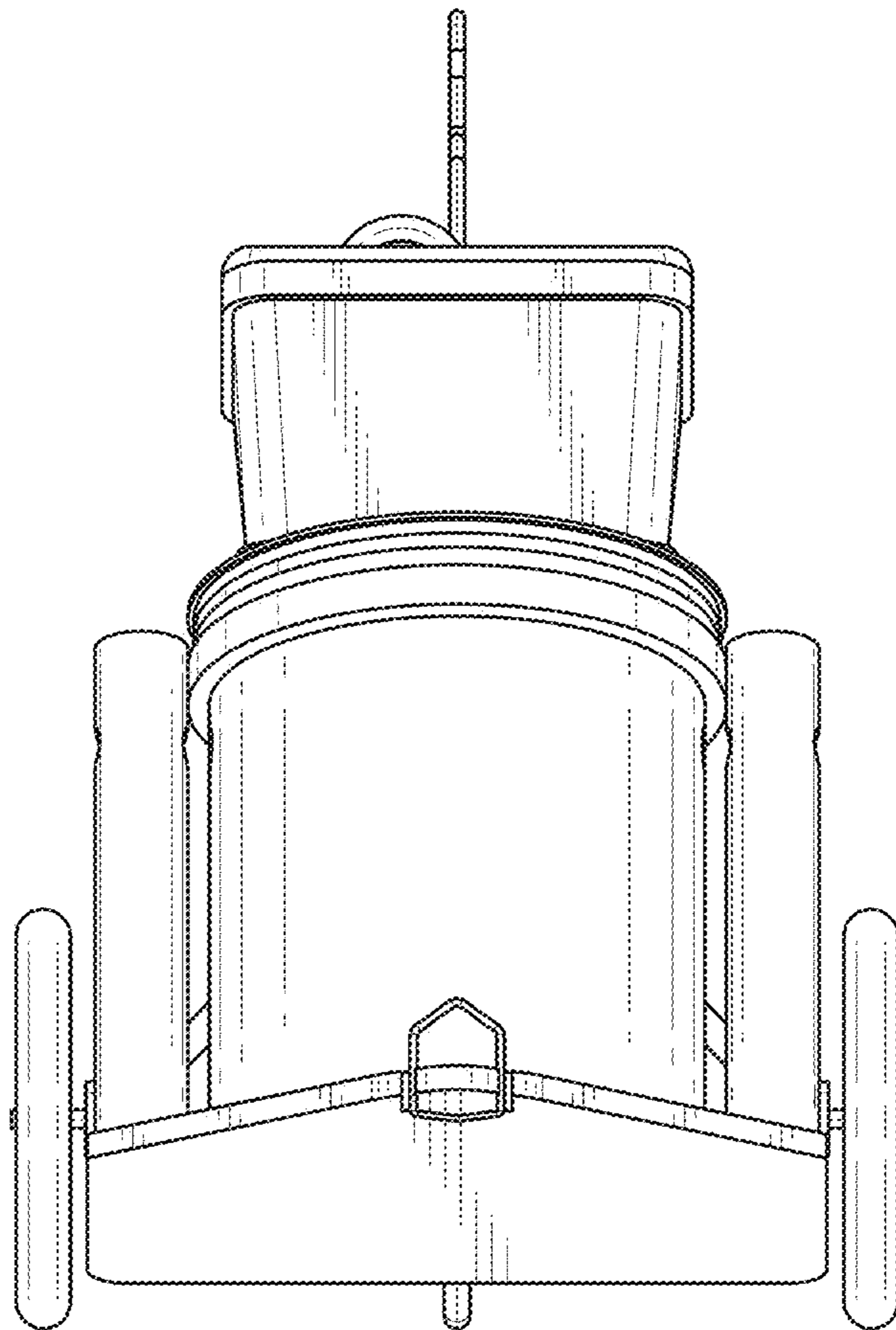


FIG. 1

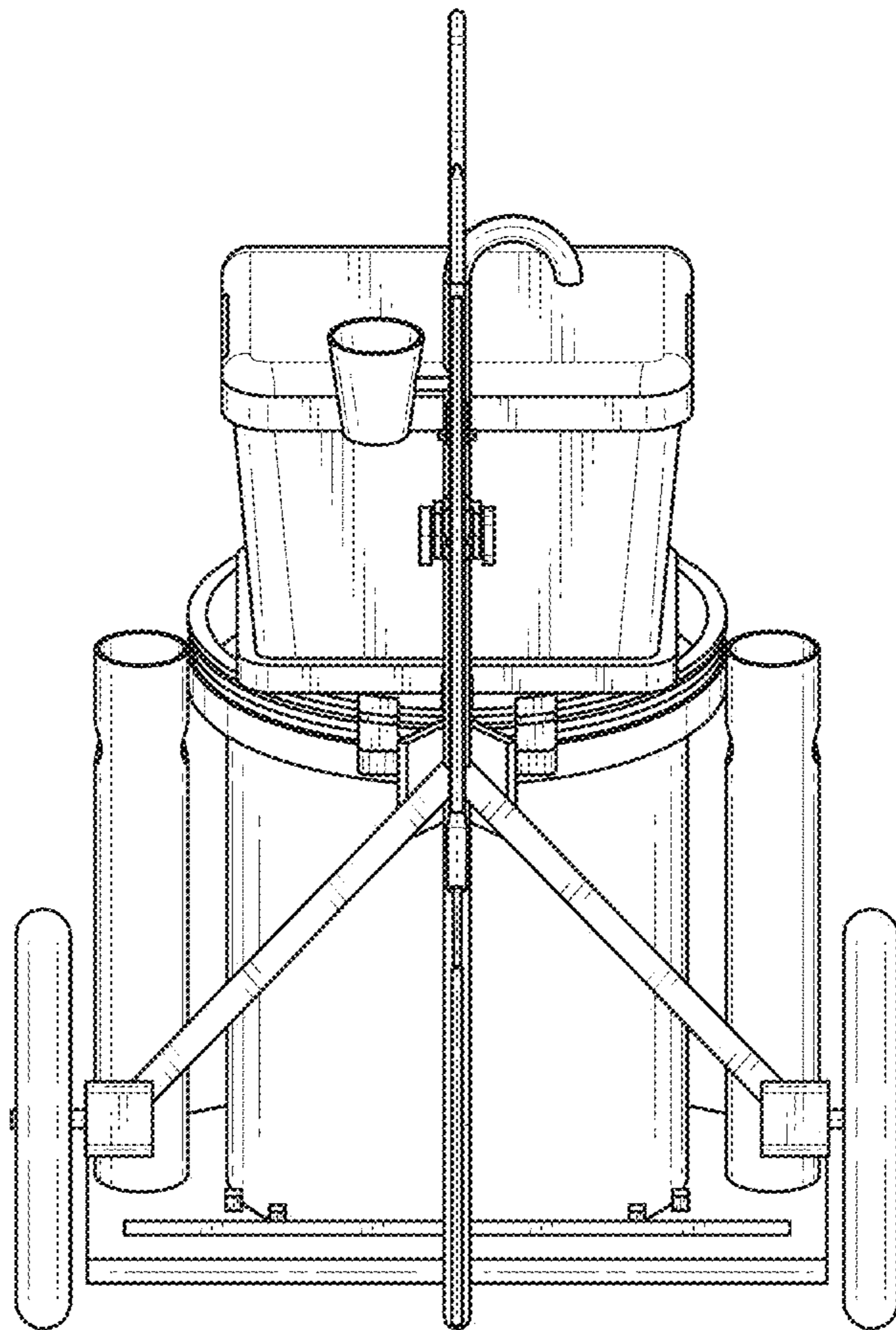


FIG. 2

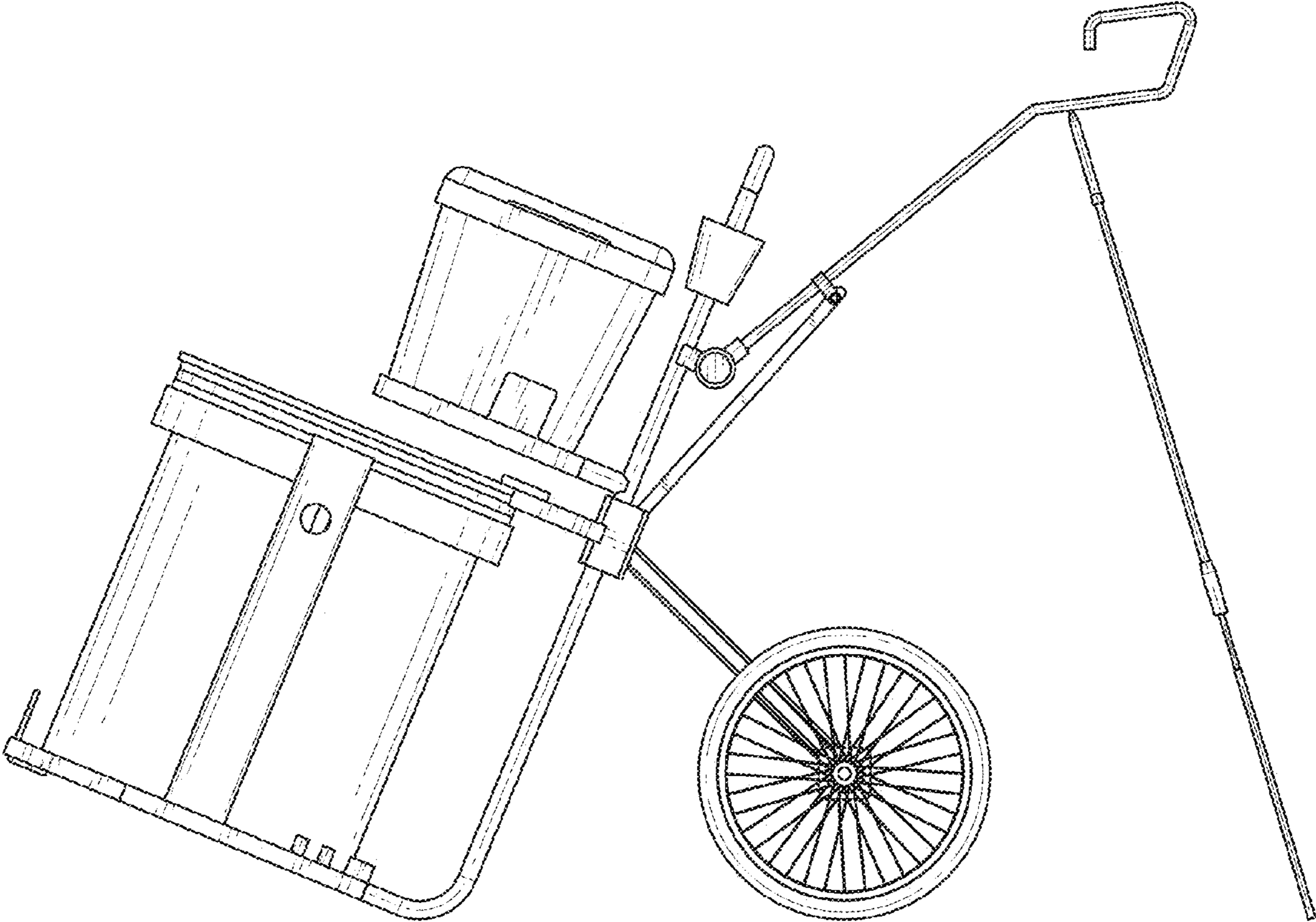


FIG. 3

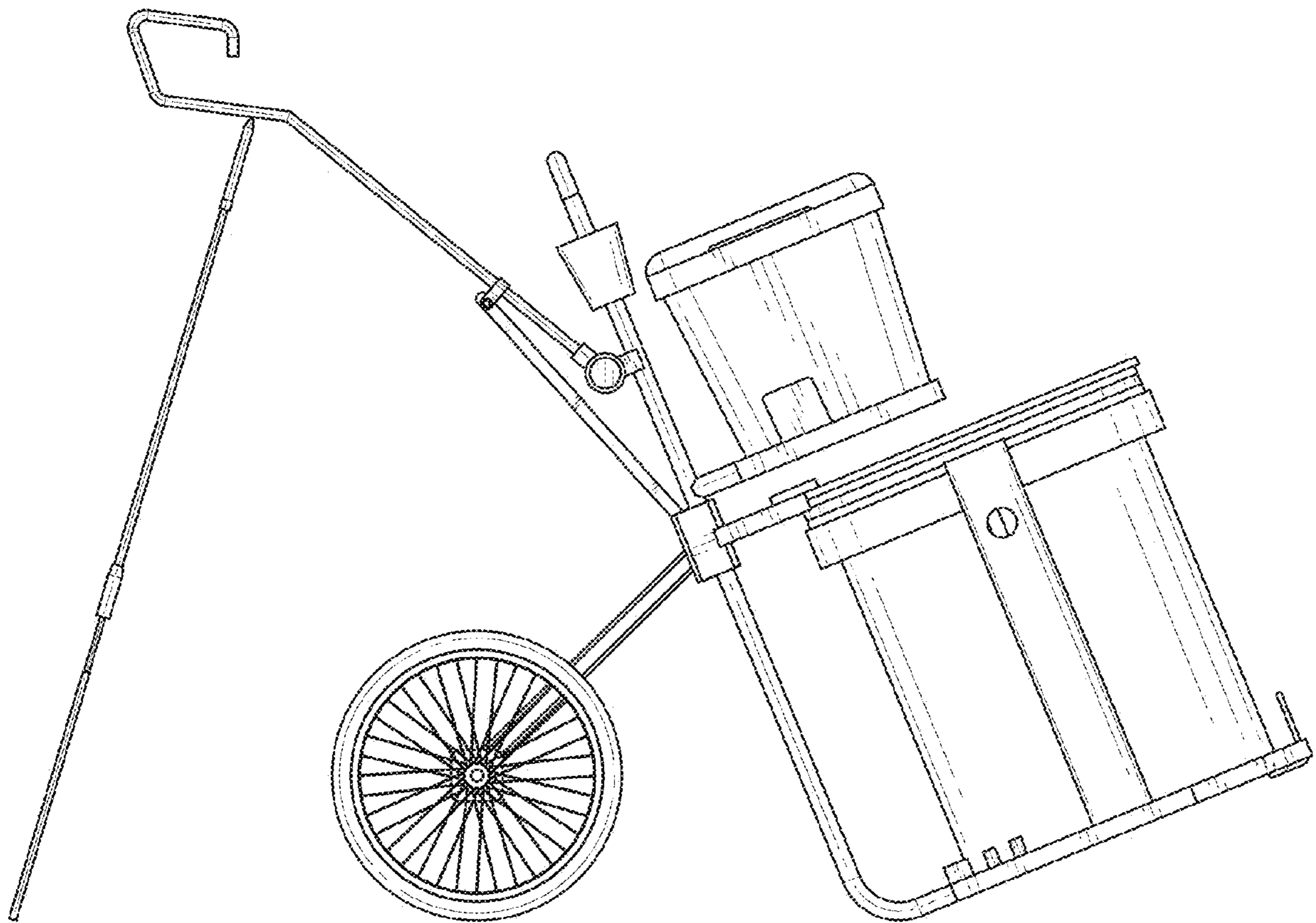


FIG. 4

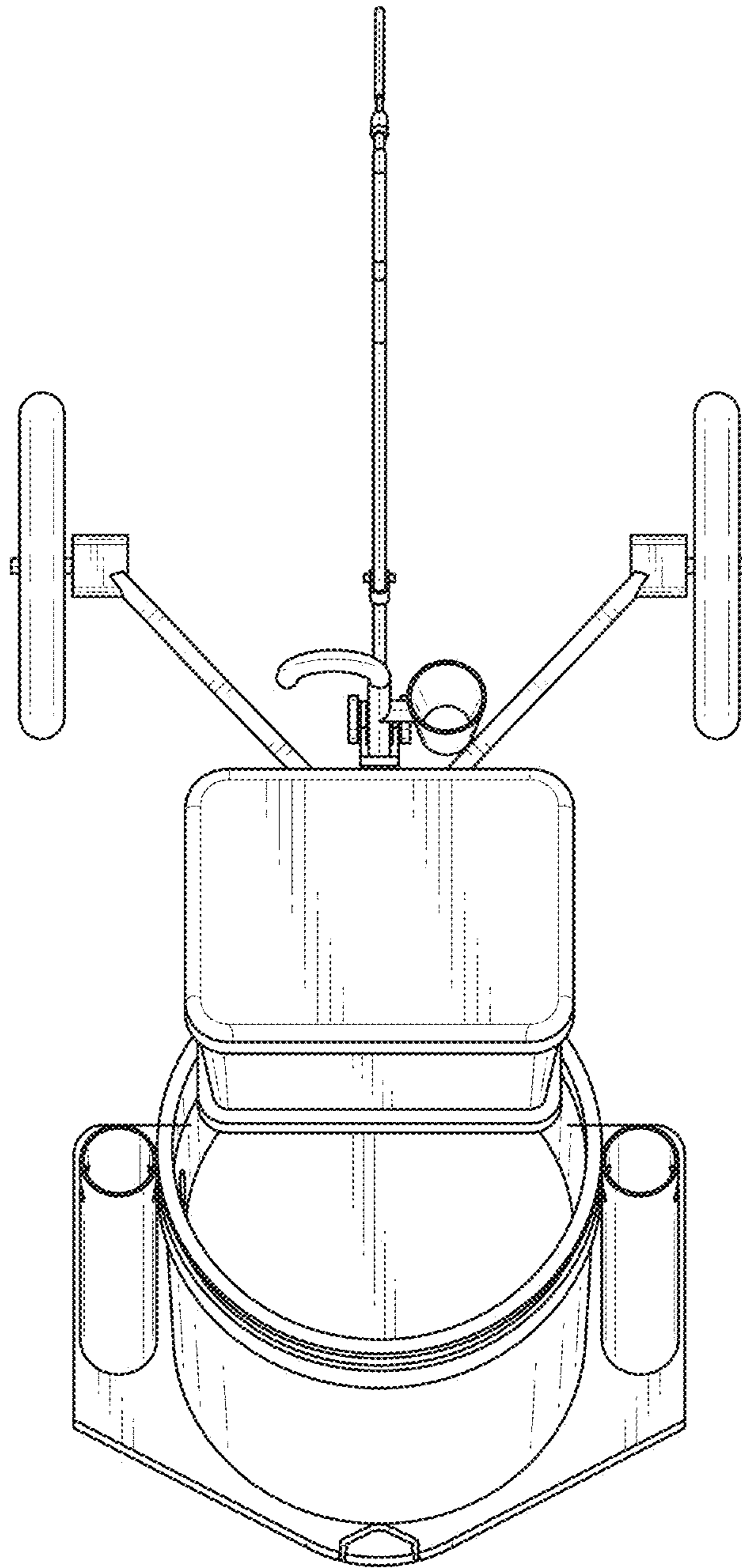


FIG. 5

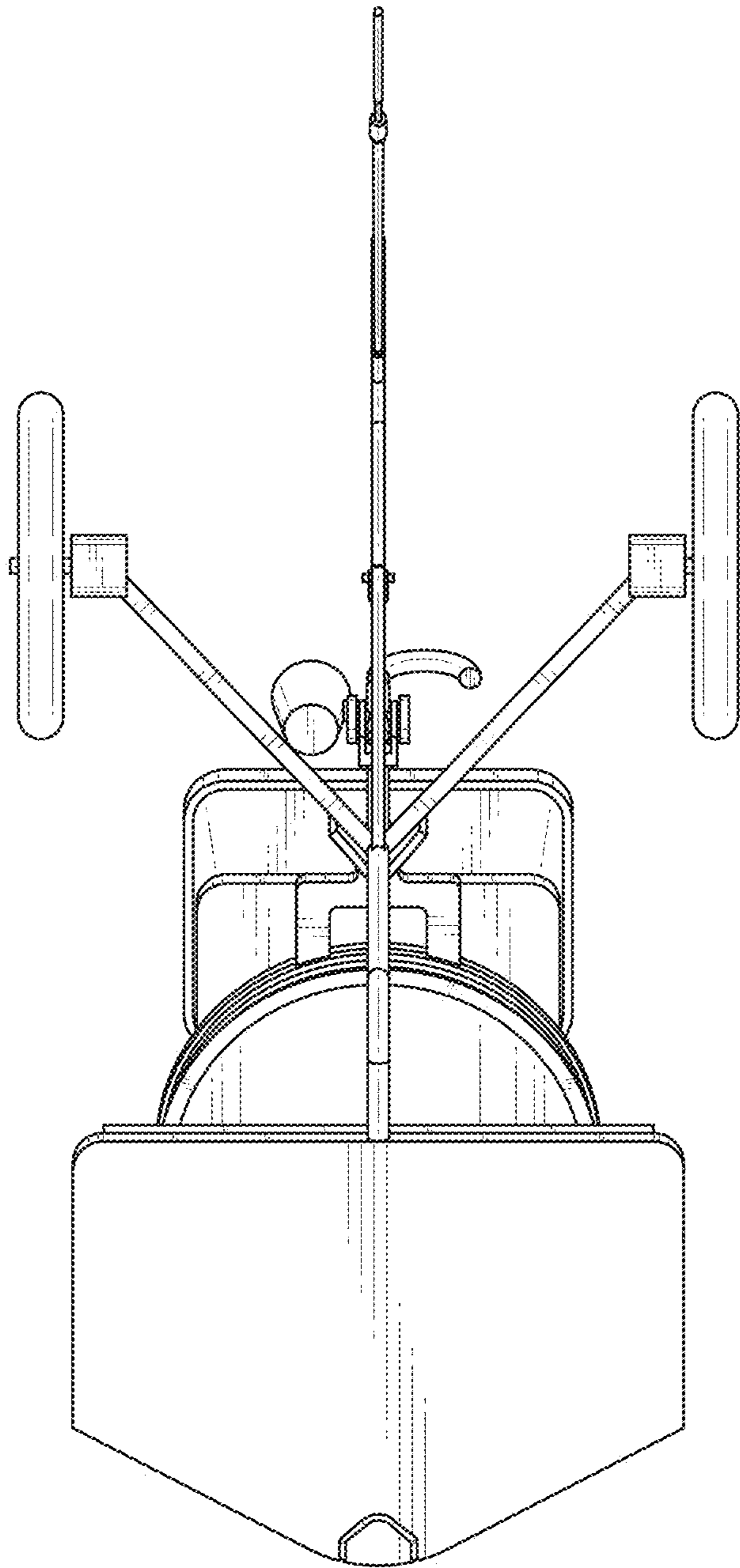


FIG. 6

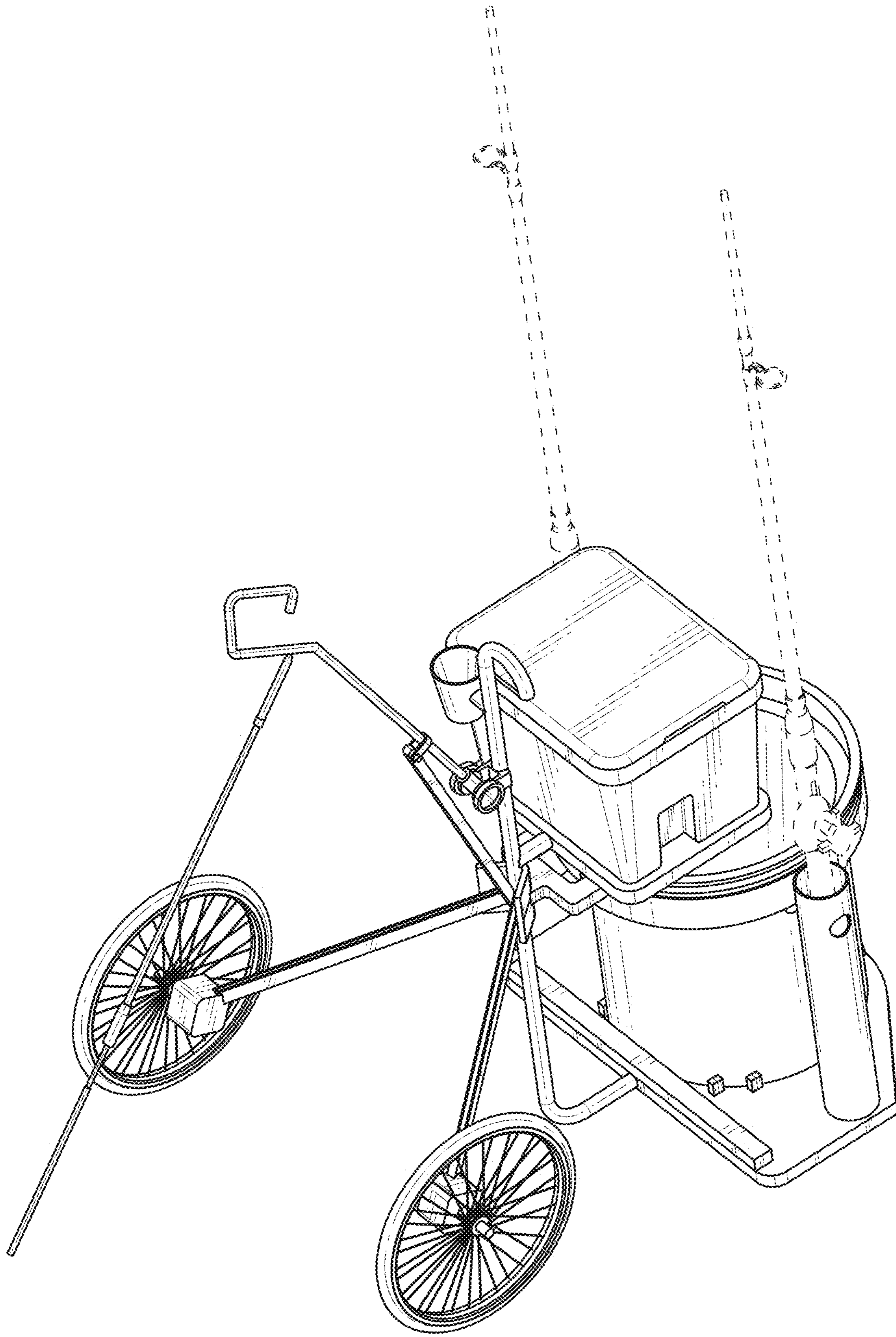


FIG. 7