



US00D978470S

(12) **United States Design Patent**
Xuan

(10) **Patent No.:** **US D978,470 S**
(45) **Date of Patent:** **** Feb. 14, 2023**

(54) **HAND CART**

(71) Applicant: **Leying Zhao**, Shenzhen (CN)

(72) Inventor: **Zuoling Xuan**, Qingdao (CN)

(73) Assignee: **Leying Zhao**, Shenzhen (CN)

(**) Term: **15 Years**

(21) Appl. No.: **29/855,962**

(22) Filed: **Oct. 9, 2022**

(51) **LOC (14) Cl.** **12-02**

(52) **U.S. Cl.**
USPC **D34/17; D21/425**

(58) **Field of Classification Search**

USPC D34/12, 14, 17, 19, 25; D21/425, 534,
D21/536; D6/329, 675, 675.2, 675.5;
D12/101, 102, 105

CPC .. B62B 1/00; B62B 1/008; B62B 1/12; B62B
3/002; B62B 3/006; B62B 3/02; B62B
3/10

See application file for complete search history.

(56) **References Cited**

U.S. PATENT DOCUMENTS

D579,619 S	10/2008	Gu	
D764,138 S	8/2016	Del Rocario	
D794,133 S *	8/2017	Ostergaard D21/425
9,950,727 B1 *	4/2018	Pang B62B 3/025
D879,205 S *	3/2020	Ostergaard D21/425
D893,637 S *	8/2020	Ma D21/425
D894,290 S *	8/2020	Liu D21/425
D929,063 S *	8/2021	Zhang D34/12
D960,483 S *	8/2022	Foley D34/27
2016/0347338 A1 *	12/2016	Vargas, II B62B 3/02
2022/0396299 A1 *	12/2022	Chu B62B 5/067

OTHER PUBLICATIONS

geekmaxi.com Nov. 21, 2022, collapsible foldable hand cart with wide brake wheels, retrieved Nov. 21, 2022, <https://www.geekmaxi.com/en/outdoors-camping-collapsible-foldable-hand-cart-with-wide-brake-wheels-1244.html> (Year: 2022).*

ebay.co.uk Nov. 21, 2022, foldable hand cart pull wagon garden trolley trailer transport, retrieved Nov. 21, 2022, <https://www.ebay.co.uk/itm/Foldable-Hand-Cart-Pull-Wagon-Garden-Trolley-Trailer-Transport-80kg-Load-New/373154218242?var=641937876369> (Year: 2022).*

(Continued)

Primary Examiner — Cynthia Ramirez

(74) *Attorney, Agent, or Firm* — Georgi Korobanov

(57) **CLAIM**

The ornamental design for a hand cart, as shown and described.

DESCRIPTION

FIG. 1 is a front, right and top perspective view of a hand cart, showing my new design;

FIG. 2 is a rear, left and bottom perspective view thereof;

FIG. 3 is a front view thereof;

FIG. 4 is a rear view thereof;

FIG. 5 is a left side view thereof;

FIG. 6 is a right side view thereof;

FIG. 7 is a top plan view thereof;

FIG. 8 is a bottom plan view thereof;

FIG. 9 is an enlarged view of portion 9 shown in FIG. 1;

FIG. 10 is an enlarged view of portion 10 shown in FIG. 1;

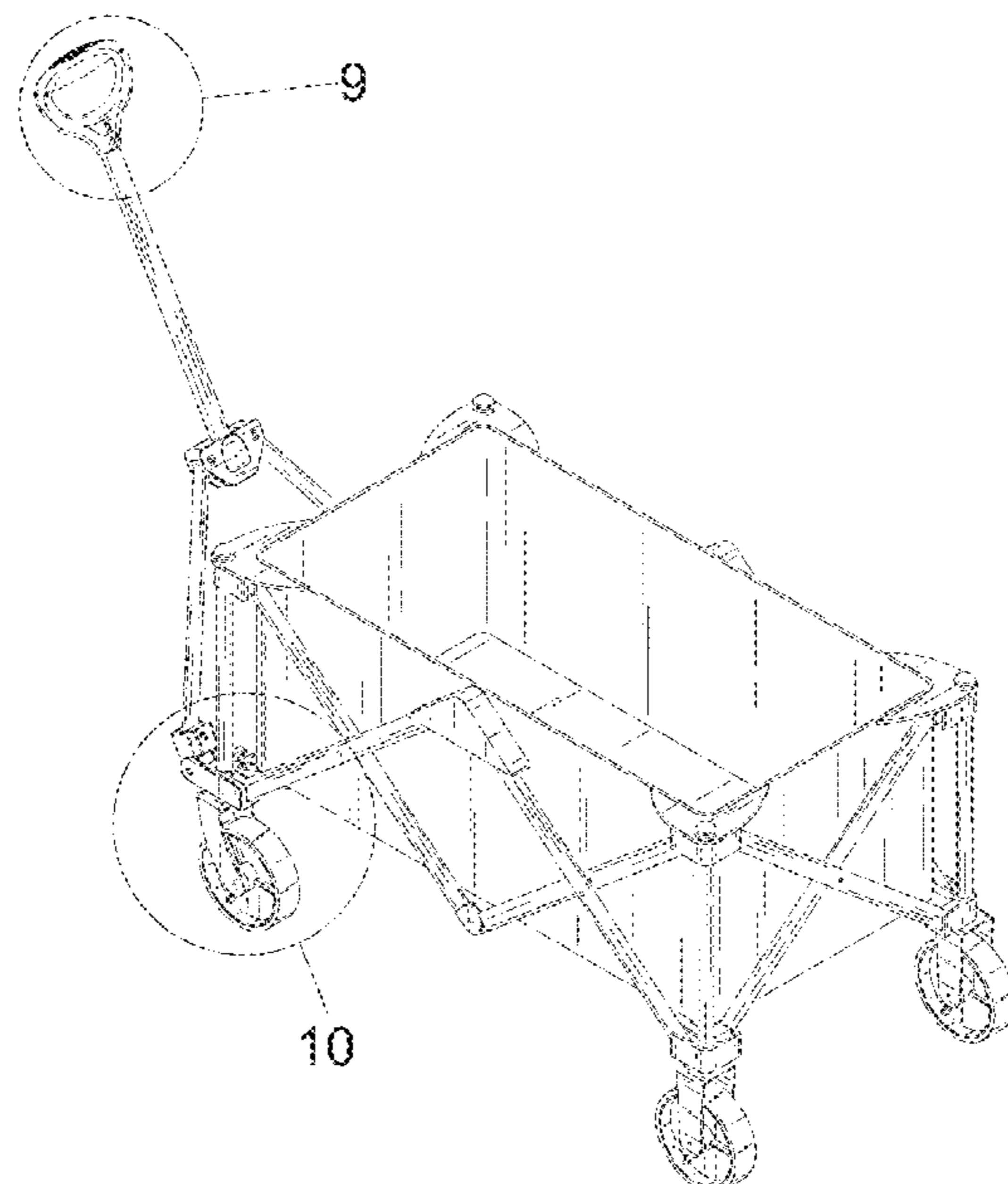
FIG. 11 is an enlarged view of portion 11 shown in FIG. 2;

and,

FIG. 12 is an enlarged view of portion 12 shown in FIG. 2.

The dot-dash broken lines depict the boundaries of the enlargements and form no part of the claimed design. The dash-dash lines in the figures show portions of the hand cart which form no part of the claimed design.

1 Claim, 12 Drawing Sheets



(56)

References Cited

OTHER PUBLICATIONS

walmart.com Nov. 21, 2022, Suncoo folding push wagon cart retrieved Nov. 21, 2022, <https://www.walmart.com/ip/SUNCOO-Folding-Push-Wagon-Cart-Collapsible-Outdoor-Utility-Camping-Grocery-wagon-Sturdy-Portable-Rolling-Lightweight-Patio-Garden-Cart-Beach-Sports-S/897683974> (Year: 2022).*

Amazon.com Nov. 21, 2022, UIDYGGD folding wagon cart roomy interior large carrying capacity big wheels collapsible cart, <https://www.amazon.com/UIDYGGD-Interior-Carrying-Adjustable-Collapsible/dp/B09M7269PW> (Year: 2022).*

* cited by examiner

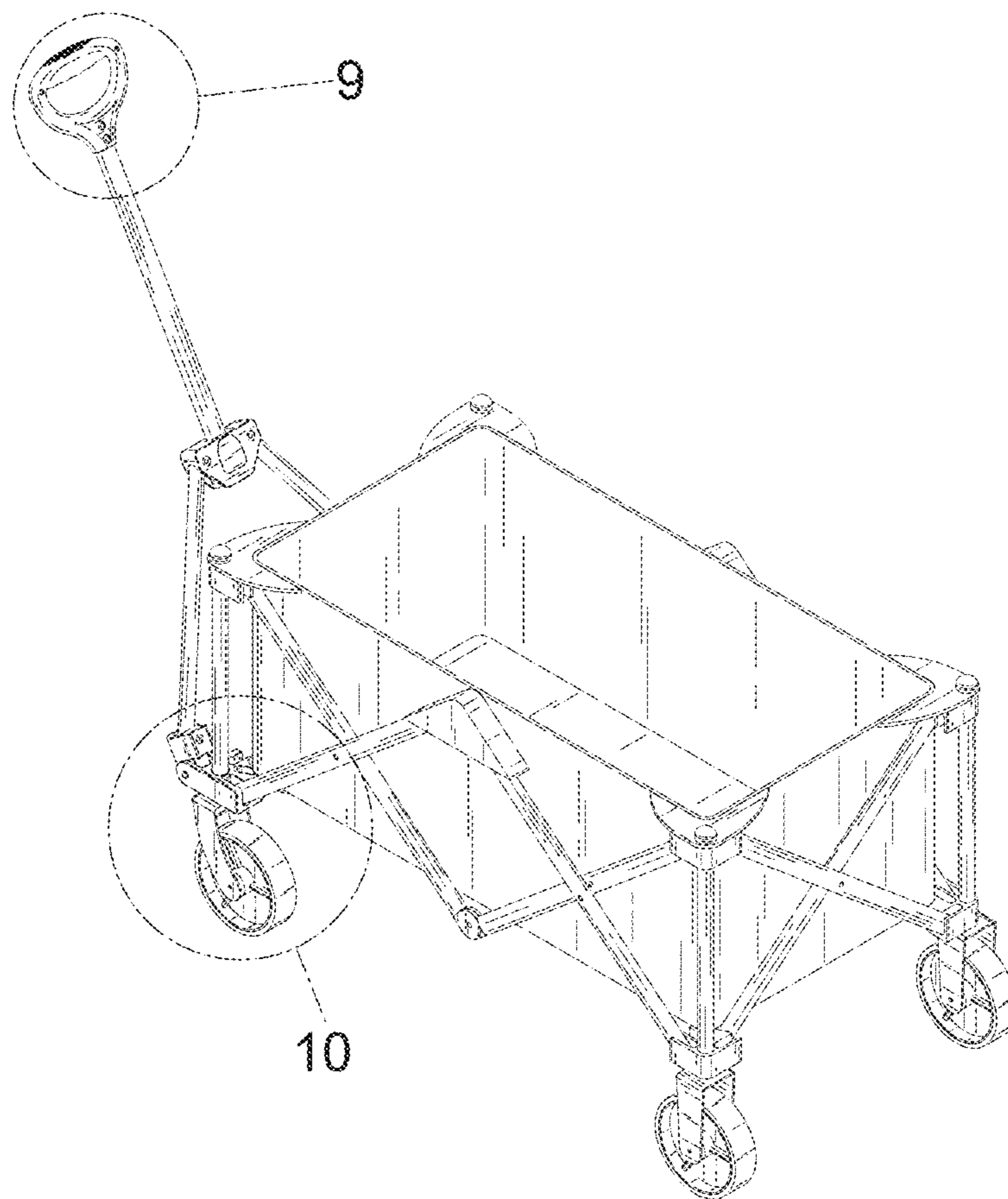


FIG. 1

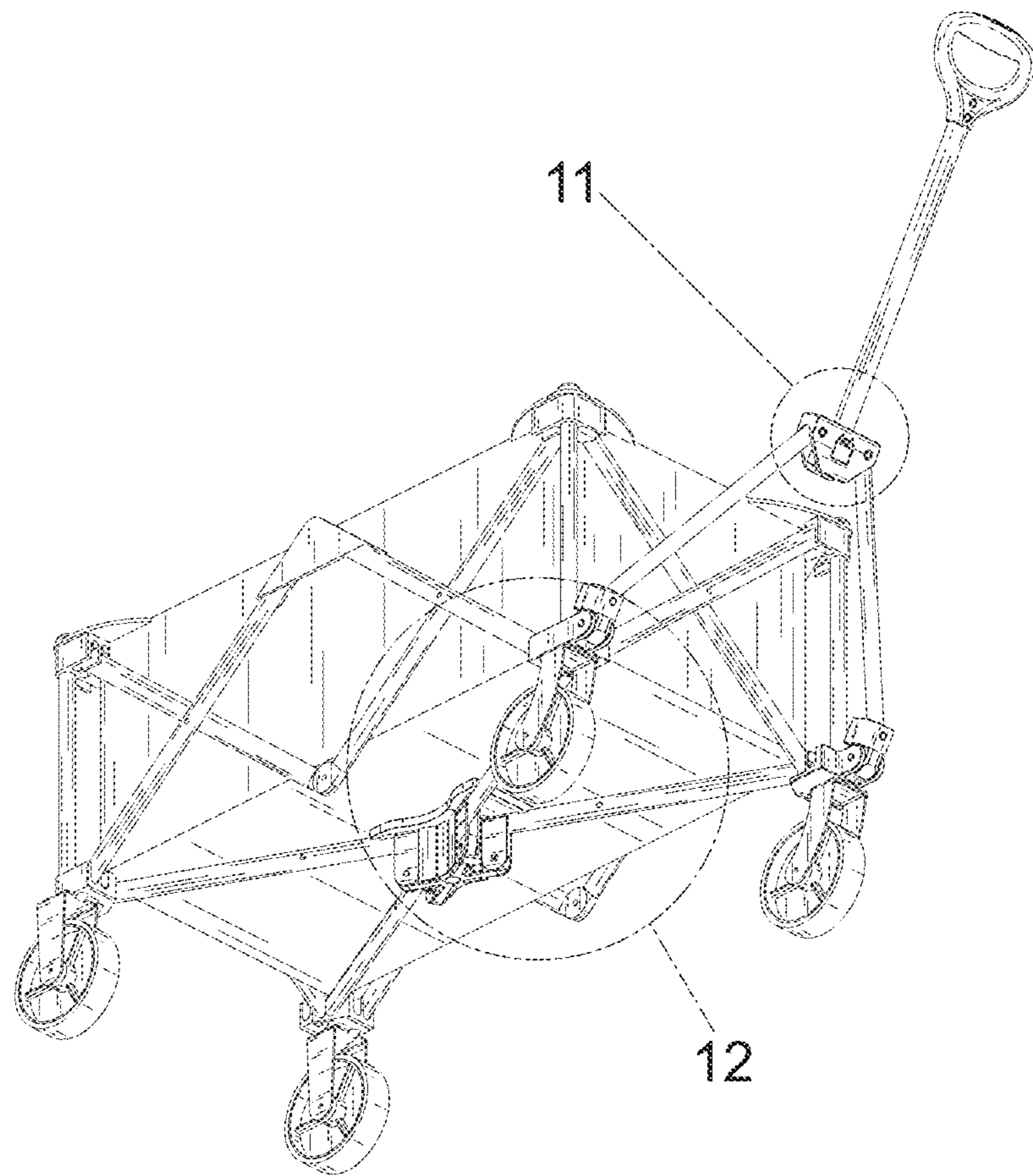


FIG. 2

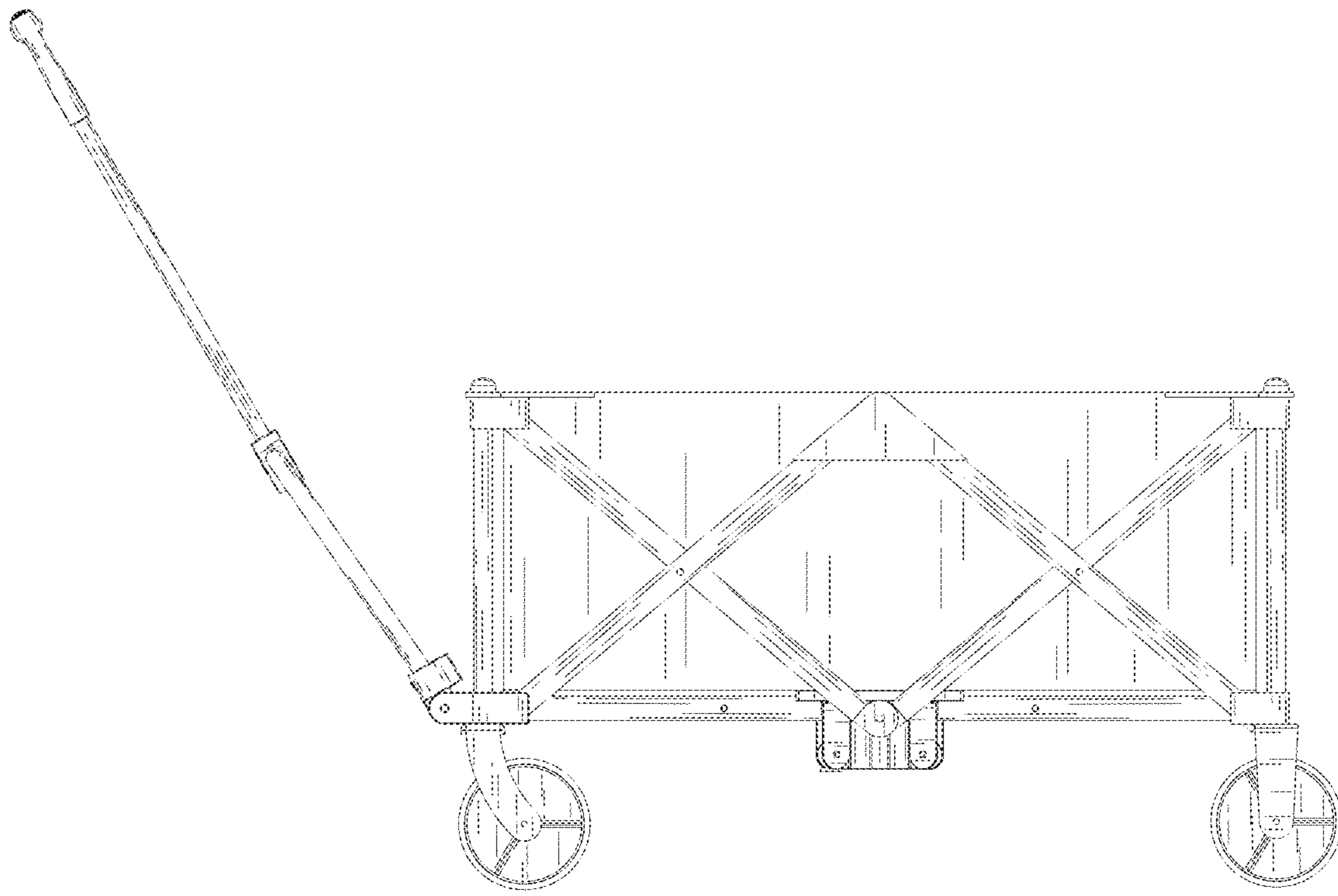


FIG. 3

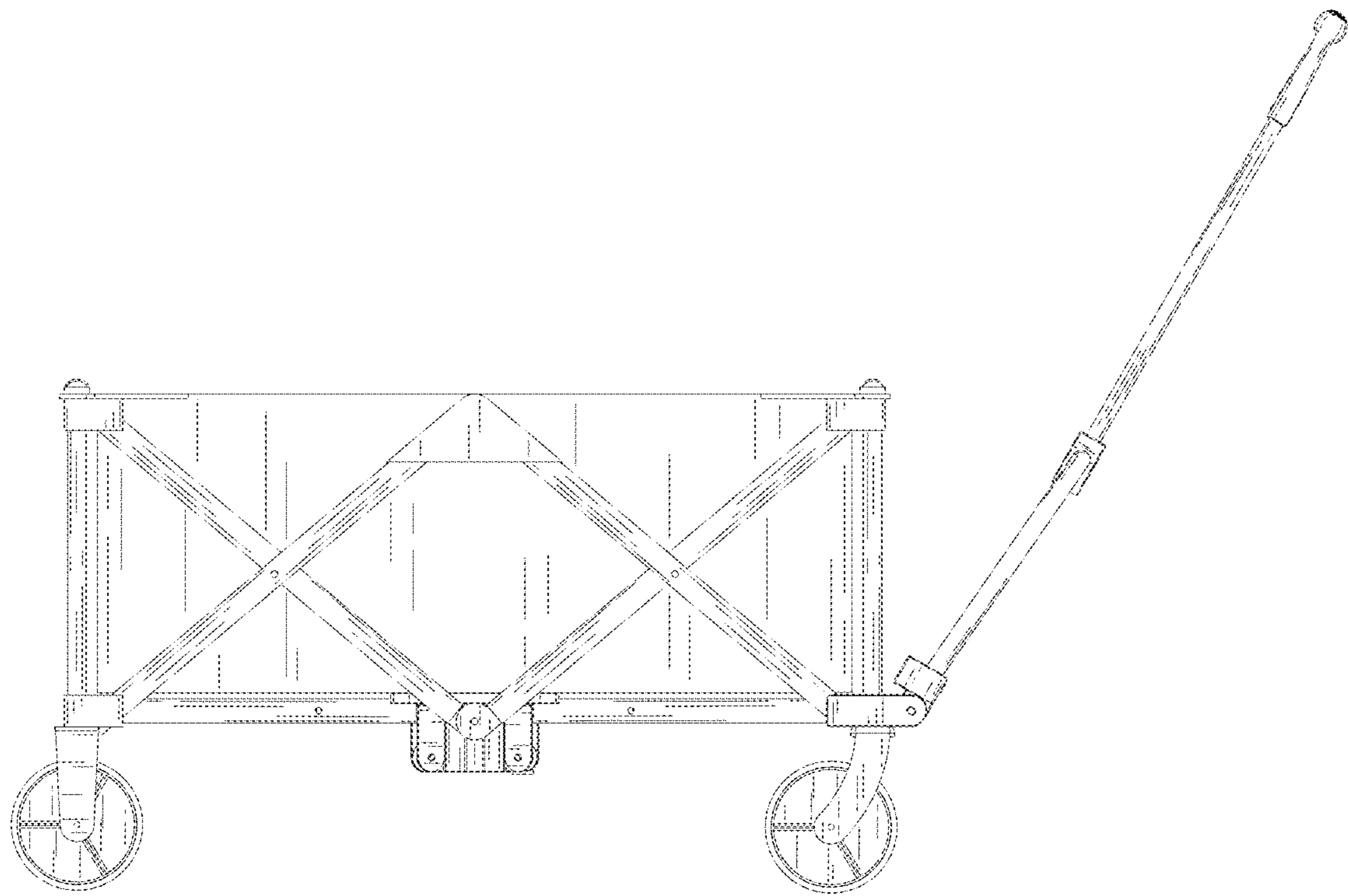


FIG. 4

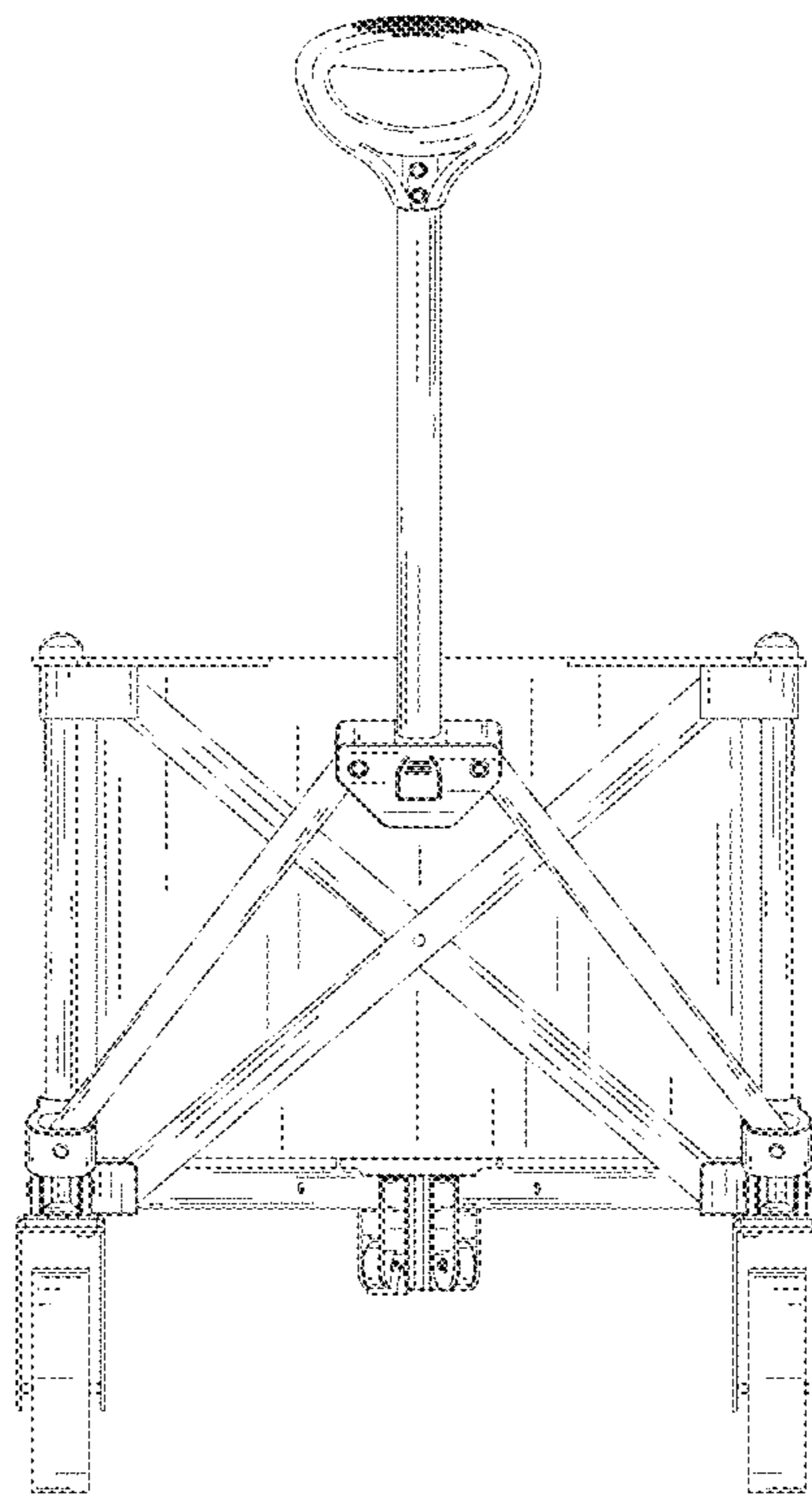


FIG. 5

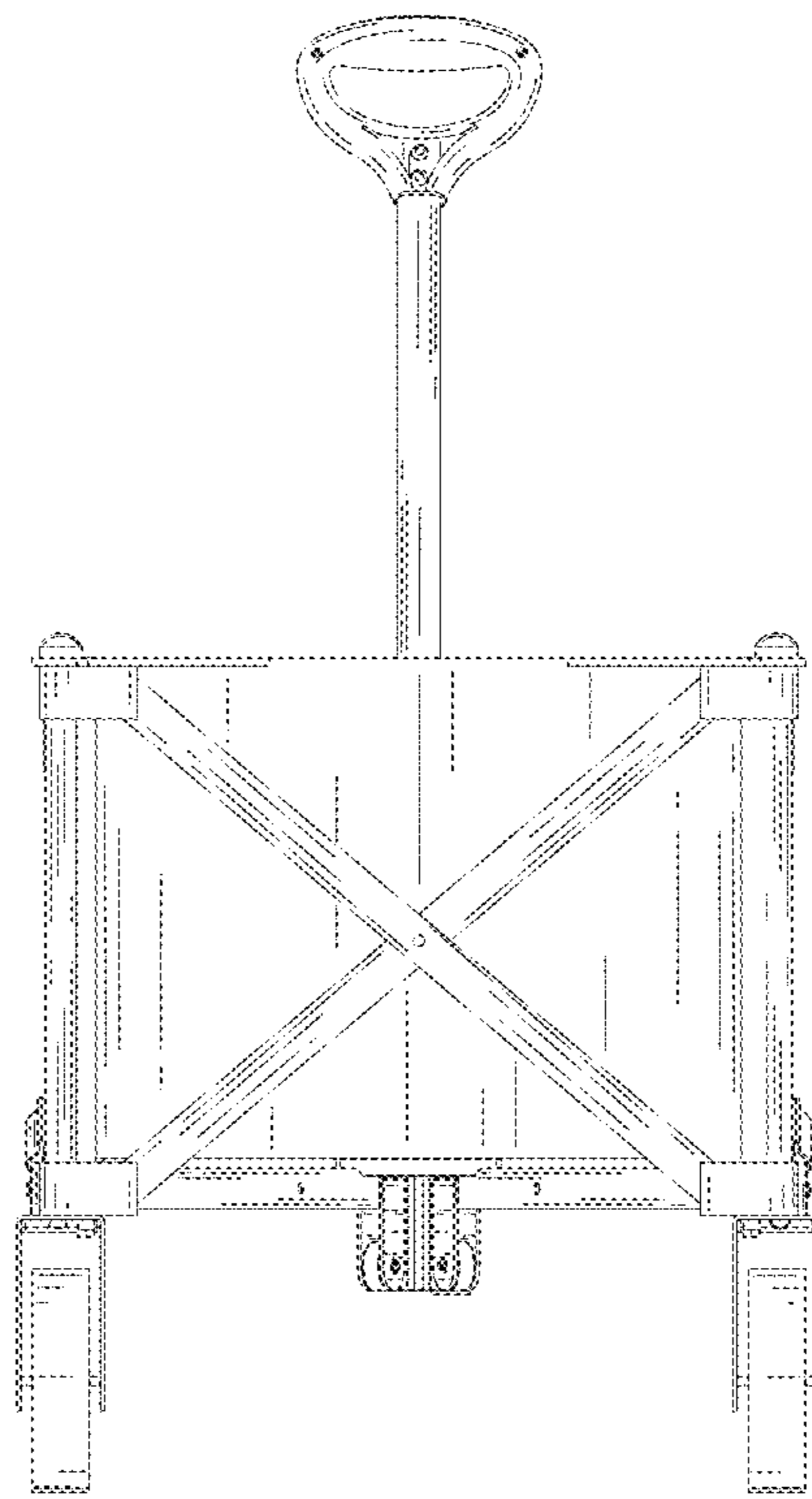


FIG. 6

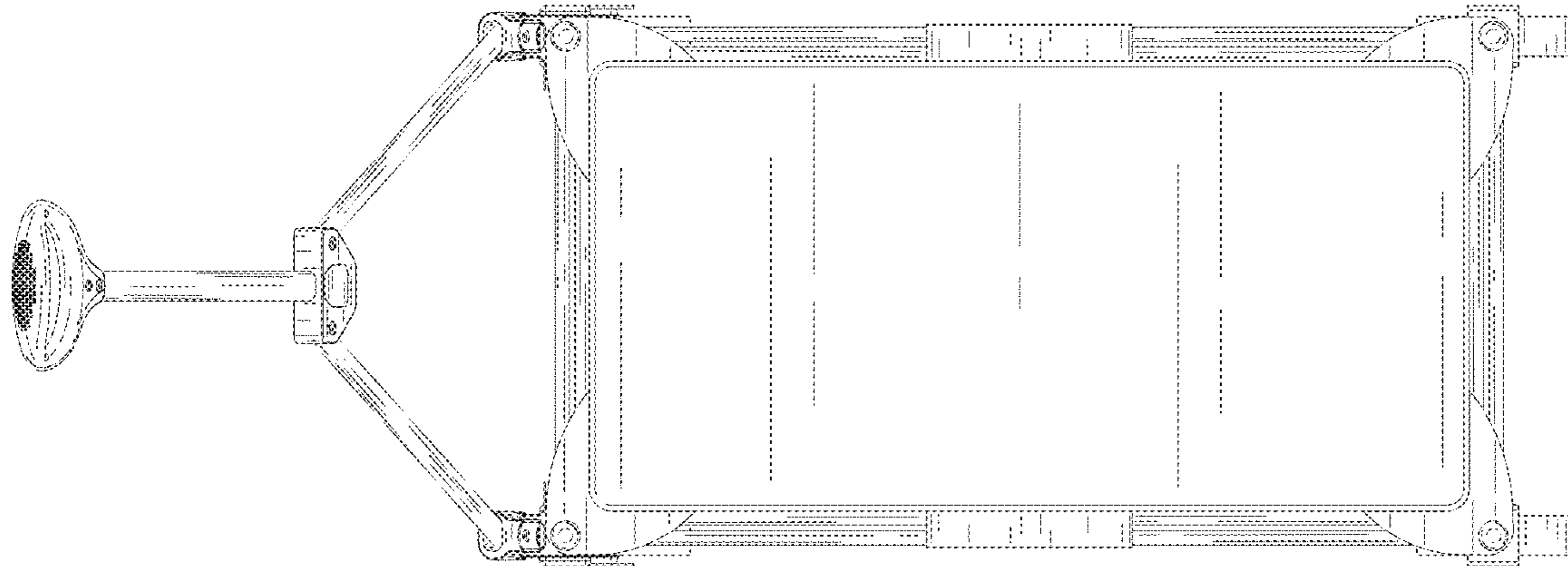


FIG. 7

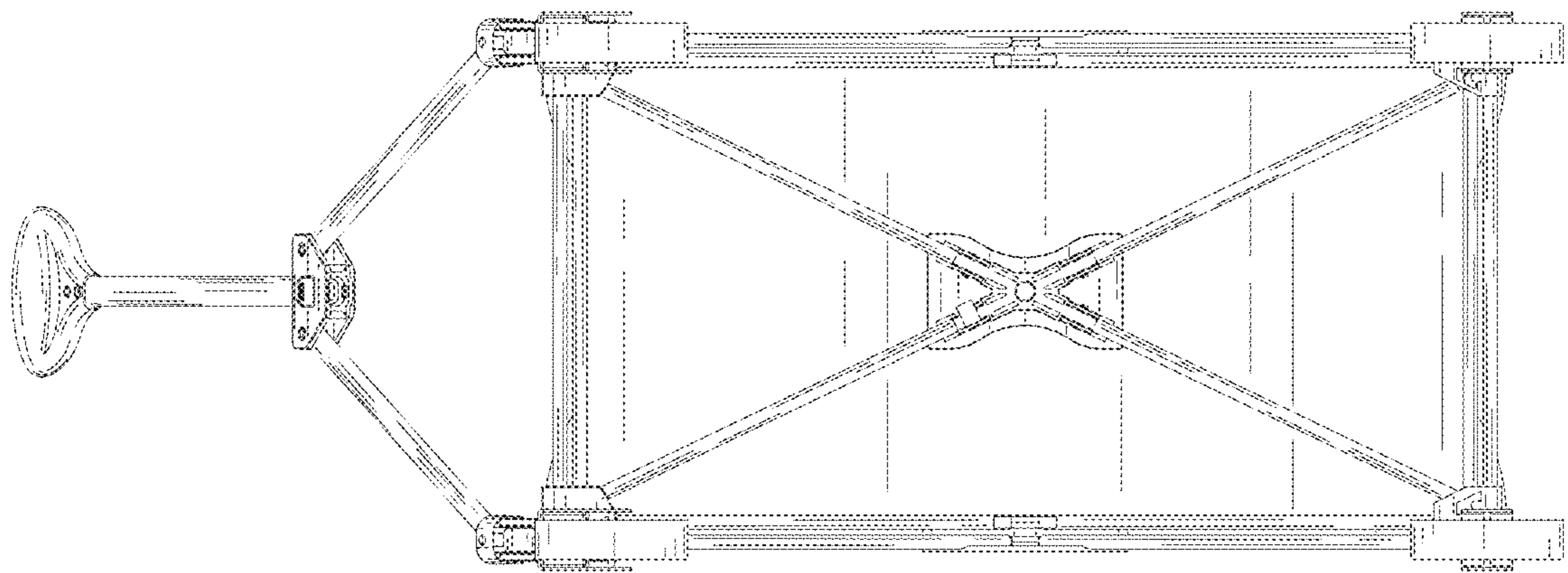


FIG. 8

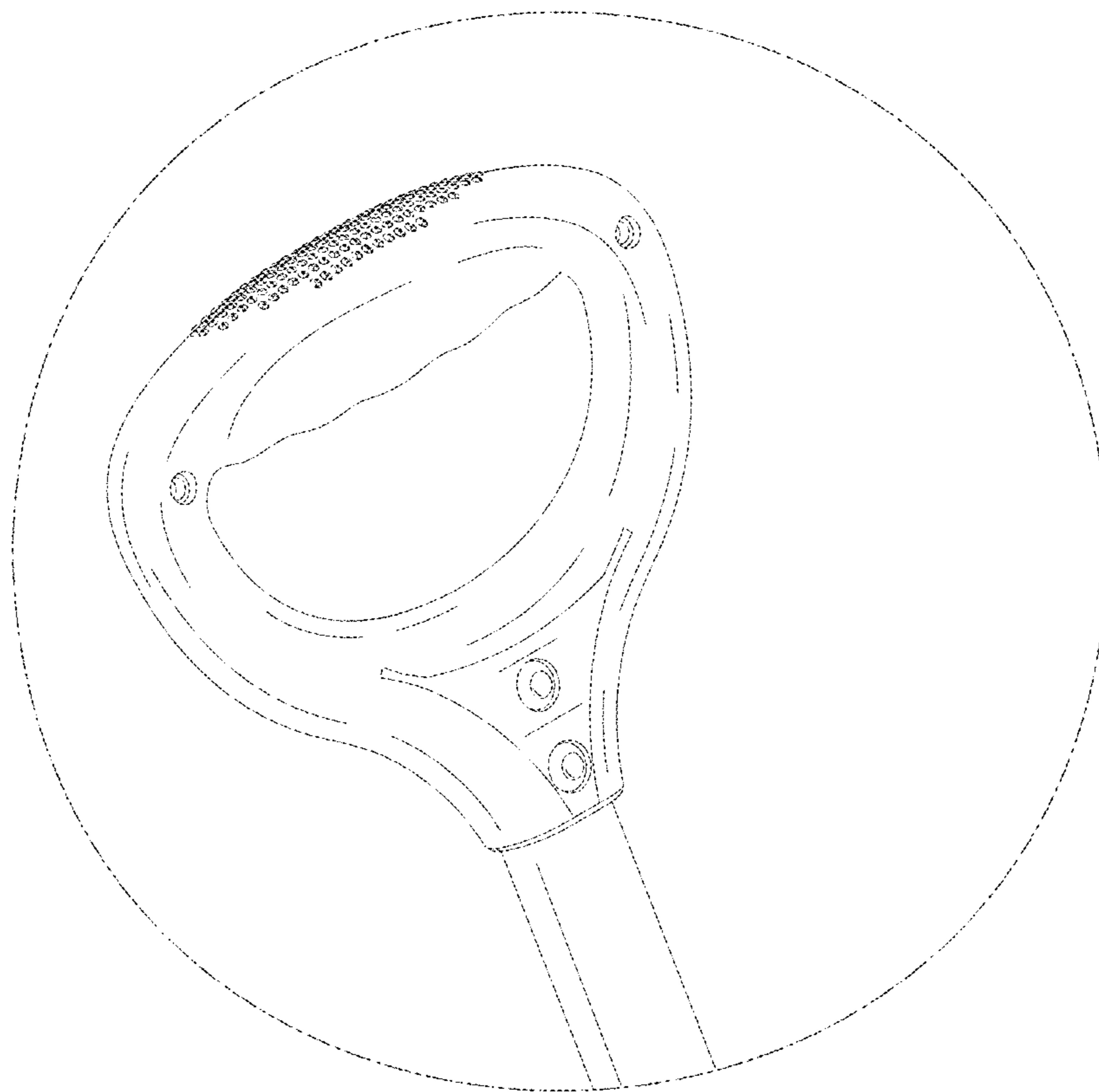


FIG. 9

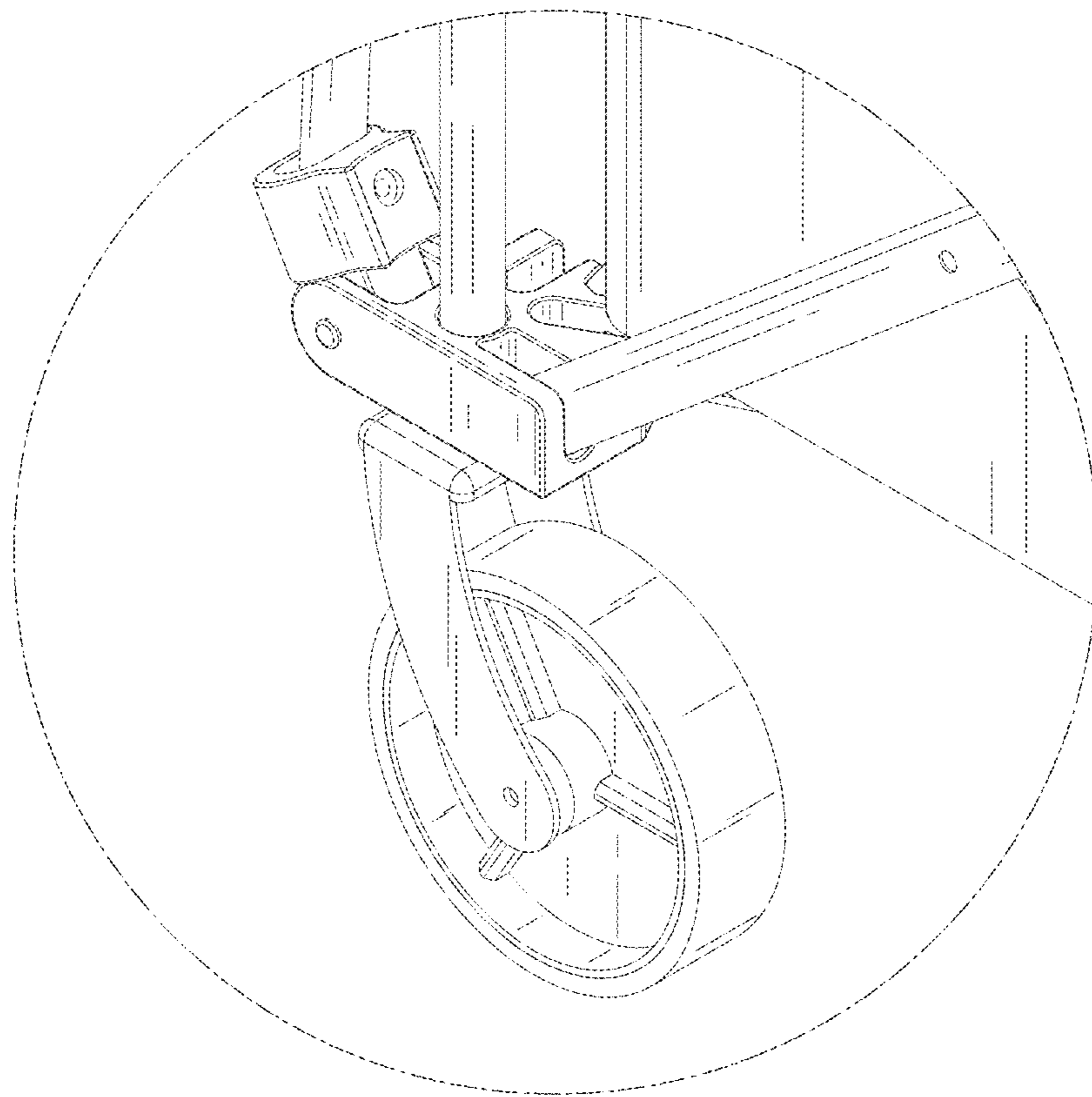


FIG. 10

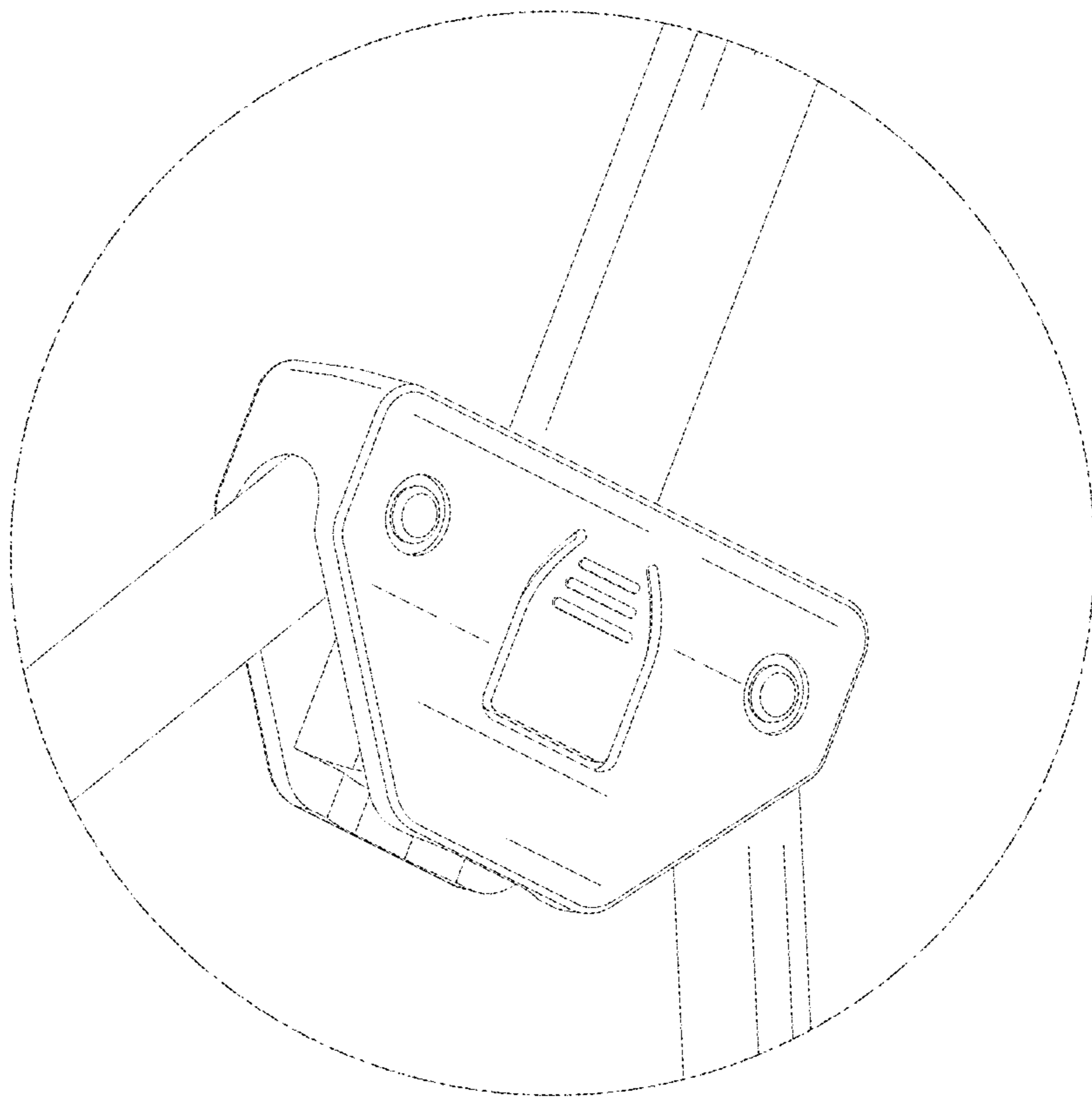


FIG. 11

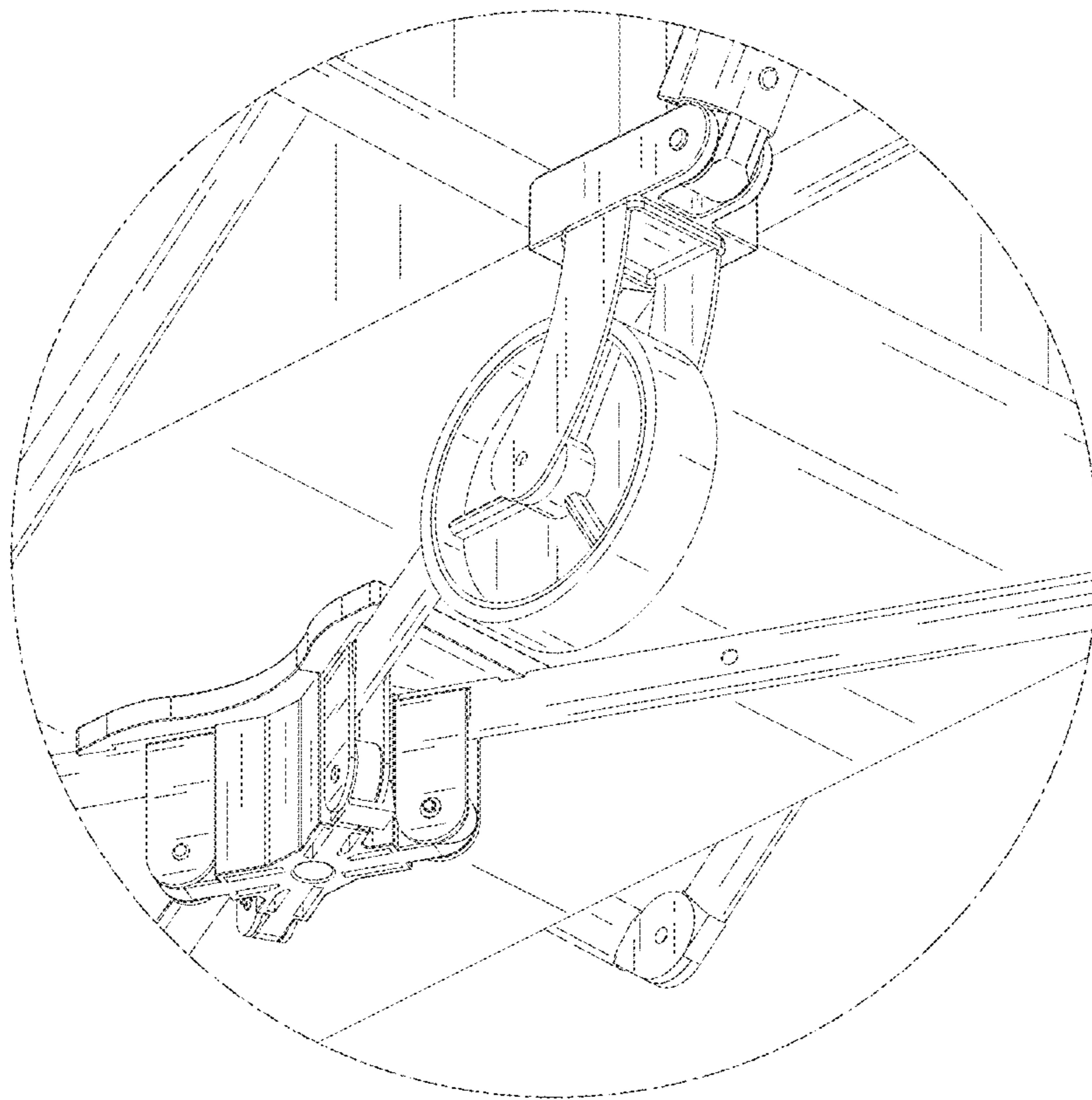


FIG. 12