



US00D978469S

(12) **United States Design Patent**  
**Zhao**

(10) **Patent No.:** **US D978,469 S**  
(45) **Date of Patent:** **\*\* Feb. 14, 2023**

(54) **HAND CART**

(71) Applicant: **Leying Zhao**, Shenzhen (CN)  
(72) Inventor: **Shichen Zhao**, Xinxiang (CN)  
(73) Assignee: **Leying Zhao**, Shenzhen (CN)  
(\*\*) Term: **15 Years**

(21) Appl. No.: **29/855,961**  
(22) Filed: **Oct. 9, 2022**

(51) **LOC (14) Cl.** ..... **12-02**  
(52) **U.S. Cl.**  
USPC ..... **D34/17; D21/425**

(58) **Field of Classification Search**  
USPC ..... D34/12, 14, 17, 19, 25; D21/425, 534,  
D21/536; D6/329, 675, 675.2, 675.5;  
D12/101, 102, 105  
CPC .. B62B 1/00; B62B 1/008; B62B 1/12; B62B  
3/002; B62B 3/006; B62B 3/02; B62B  
3/10

See application file for complete search history.

(56) **References Cited**

**U.S. PATENT DOCUMENTS**

D579,619 S	10/2008	Gu	
D764,138 S	8/2016	Del Rosario	
D794,133 S *	8/2017	Ostergaard	..... D21/425
9,950,727 B1 *	4/2018	Pang	..... B62B 3/025
D879,205 S *	3/2020	Ostergaard	..... D21/425
D893,637 S *	8/2020	Ma	..... D21/425
D894,290 S *	8/2020	Liu	..... D21/425
D929,063 S *	8/2021	Zhang	..... D34/12
D960,483 S *	8/2022	Foley	..... D34/27
2016/0347338 A1 *	12/2016	Vargas, II	..... B62B 3/02
2022/0396299 A1 *	12/2022	Chu	..... B62B 5/067

**OTHER PUBLICATIONS**

geekmaxi.com Nov. 21, 2022, collapsible foldable hand cart with wide brake wheels, retrieved Nov. 21, 2022, <https://www.geekmaxi.com/en/outdoors-camping-collapsible-foldable-hand-cart-with-wide-brake-wheels-1244.html> (Year: 2022).\*

ebay.co.uk Nov. 21, 2022, foldable hand cart pull wagon garden trolley trailer transport, retrieved Nov. 21, 2022, <https://www.ebay.co.uk/itm/Foldable-Hand-Cart-Pull-Wagon-Garden-Trolley-Trailer-Transport-80kg-Load-New/373154218242?var=641937876369> (Year: 2022).\*

walmart.com Nov. 21, 2022, SUNCOO folding push wagon cart retrieved Nov. 21, 2022, <https://www.walmart.com/ip/SUNCOO-Folding-Push-Wagon-Cart-Collapsible-Outdoor-Utility-Camping-Grocery-wagon-Sturdy-Portable-Rolling-Lightweight-Patio-Garden-Cart-Beach-Sports-S/897683974> (Year: 2022).\*

(Continued)

*Primary Examiner* — Cynthia Ramirez  
(74) *Attorney, Agent, or Firm* — Georgi Korobanov

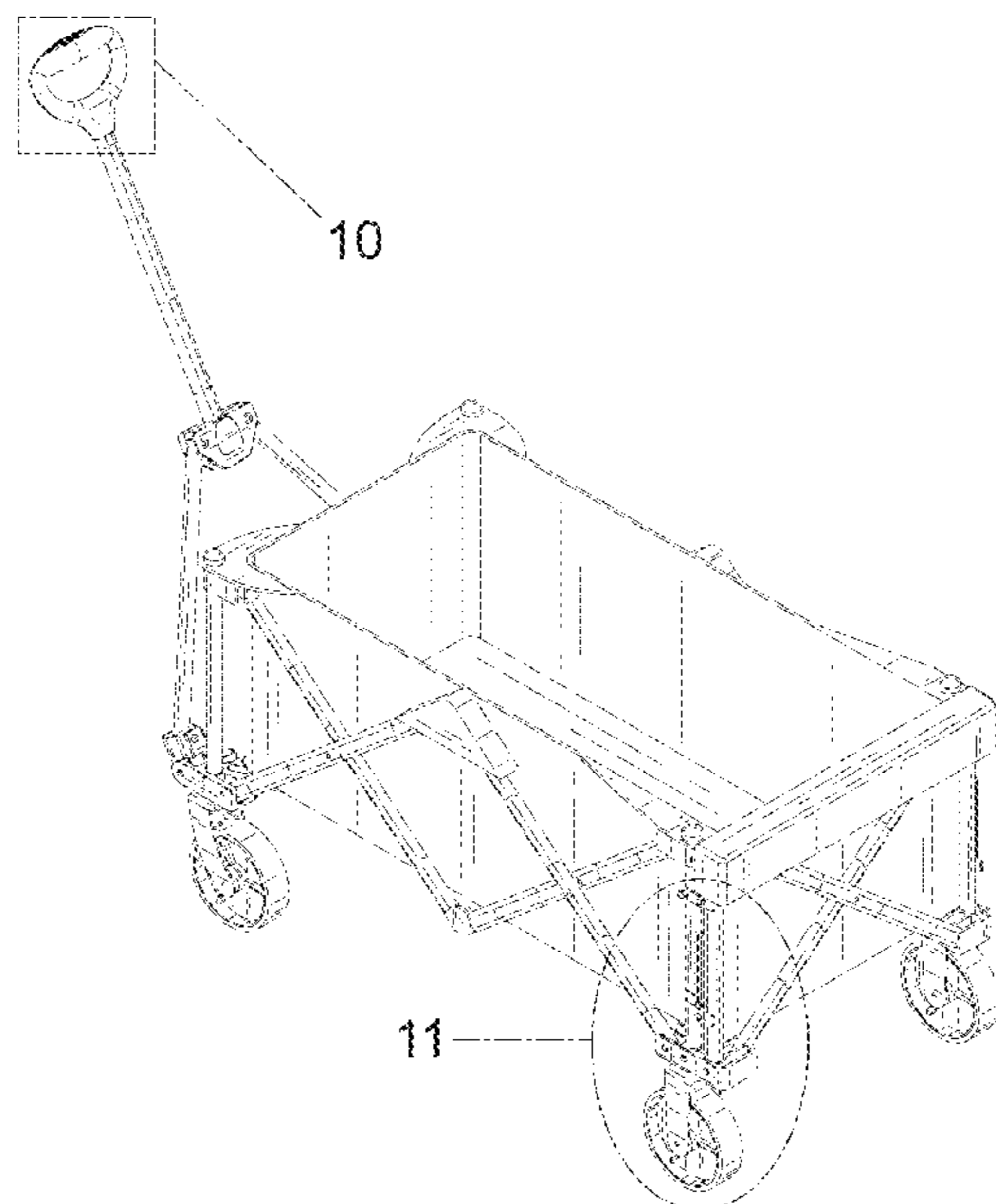
(57) **CLAIM**

The ornamental design for a hand cart, as shown and described.

**DESCRIPTION**

FIG. 1 is a front, right and top perspective view of a hand cart, showing my new design;  
FIG. 2 is a rear, left and bottom perspective view thereof;  
FIG. 3 is a perspective view of the hand cart in a use status;  
FIG. 4 is a front view thereof;  
FIG. 5 is a rear view thereof;  
FIG. 6 is a left side view thereof;  
FIG. 7 is a right side view thereof;  
FIG. 8 is a top plan view thereof;  
FIG. 9 is a bottom plan view thereof;  
FIG. 10 is an enlarged view of portion 10 shown in FIG. 1; and,  
FIG. 11 is an enlarged view of portion 11 shown in FIG. 1. The dot-dash broken lines depict the boundaries of the enlargements that form no part of the claimed design.

**1 Claim, 11 Drawing Sheets**



(56)

**References Cited**

OTHER PUBLICATIONS

Amazon.com Nov. 21, 2022, UIDYGGD folding wagon cart roomy interior large carrying capacity big wheels collapsible cart, <https://www.amazon.com/UIDYGGD-Interior-Carrying-Adjustable-Collapsible/dp/B09M7269PW> (Year: 2022).\*

\* cited by examiner

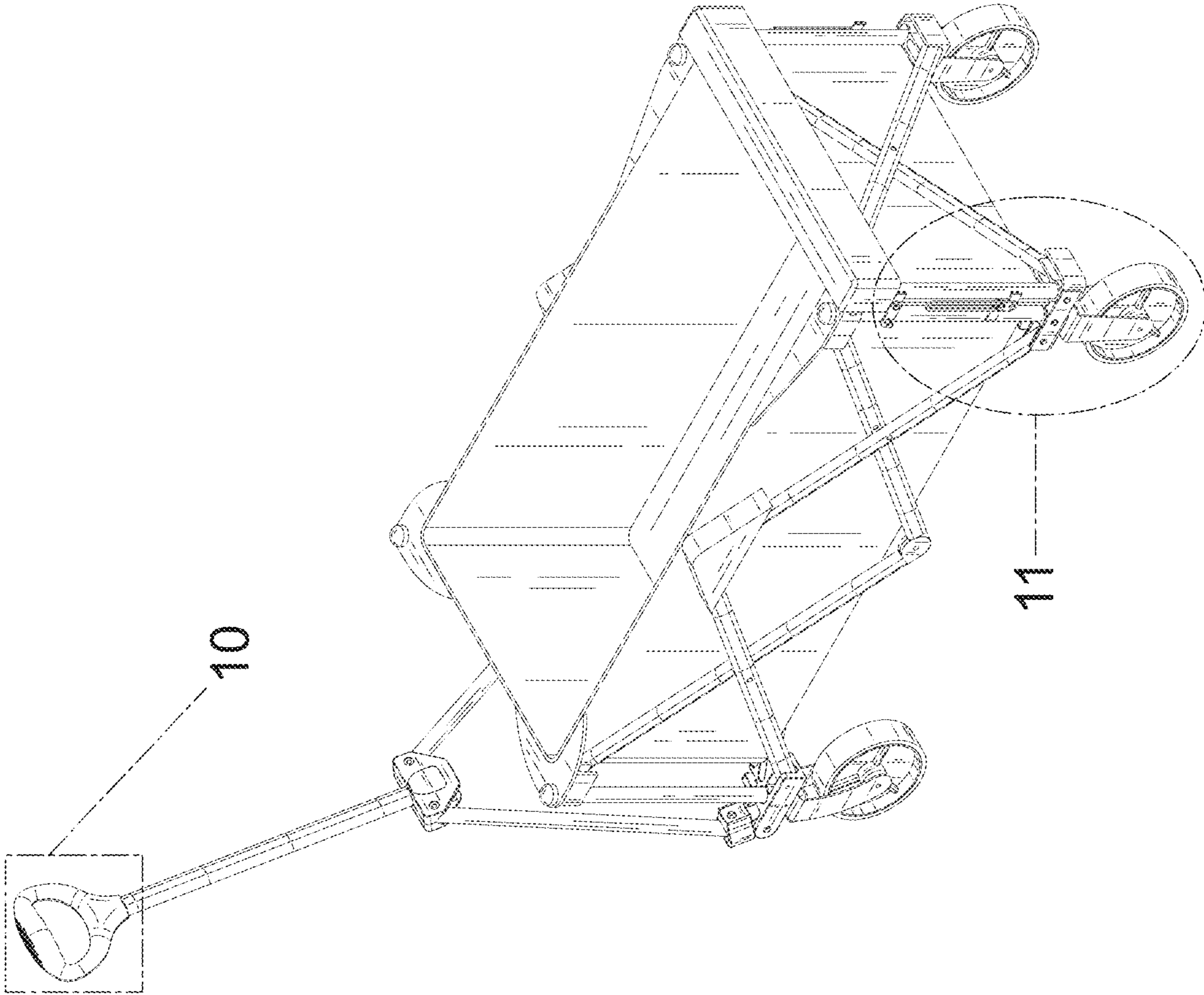


FIG. 1

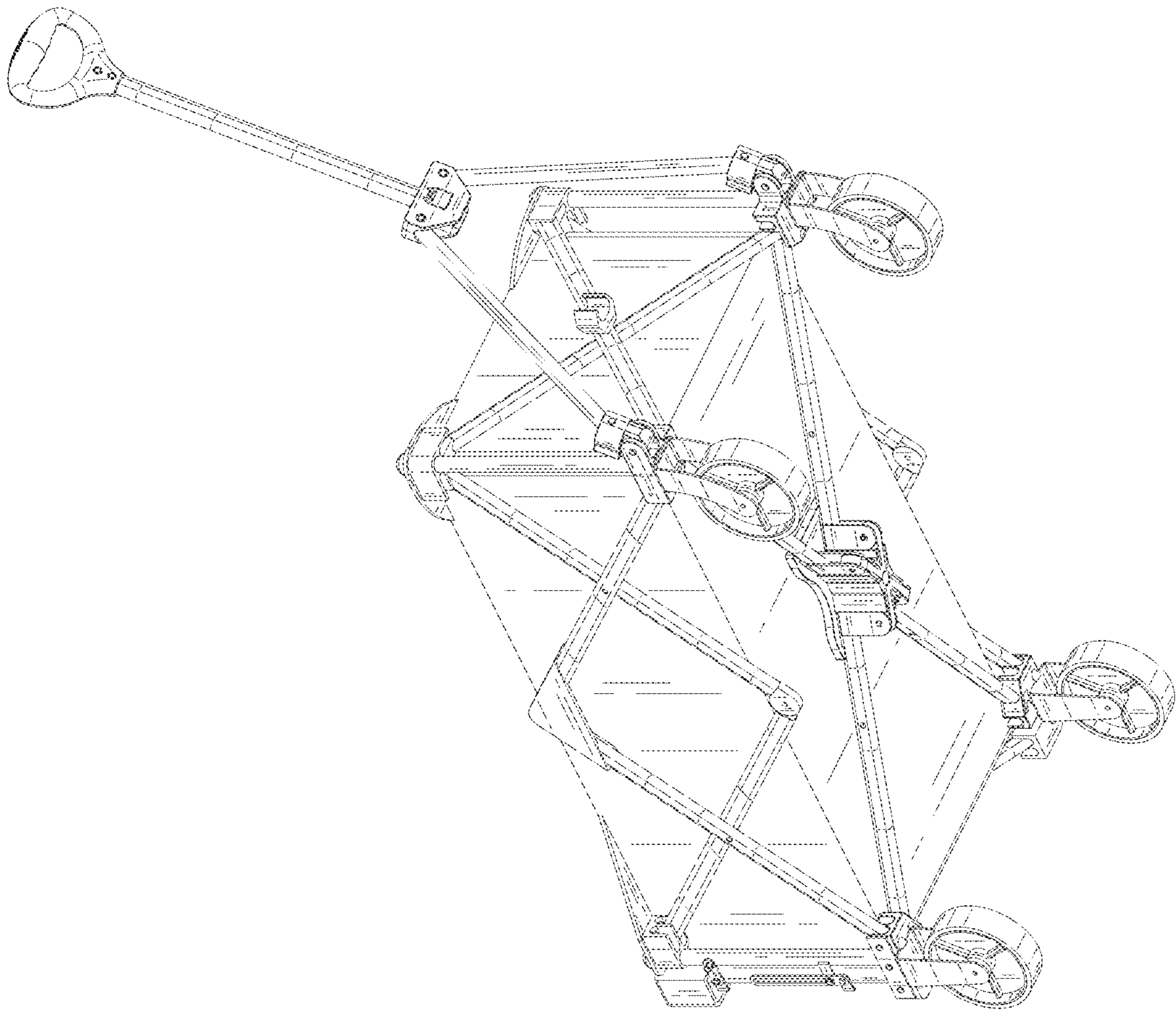


FIG. 2

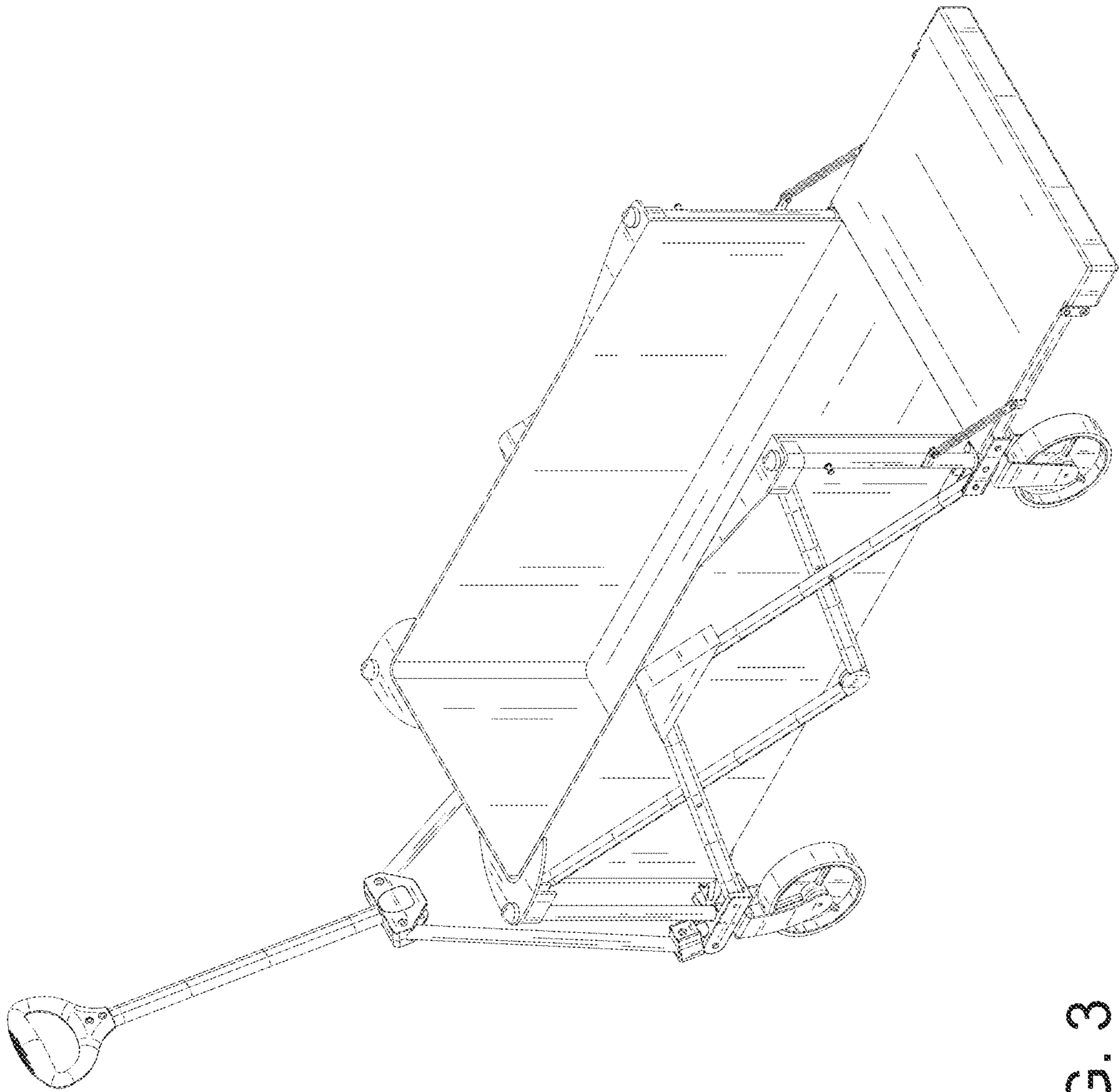


FIG. 3

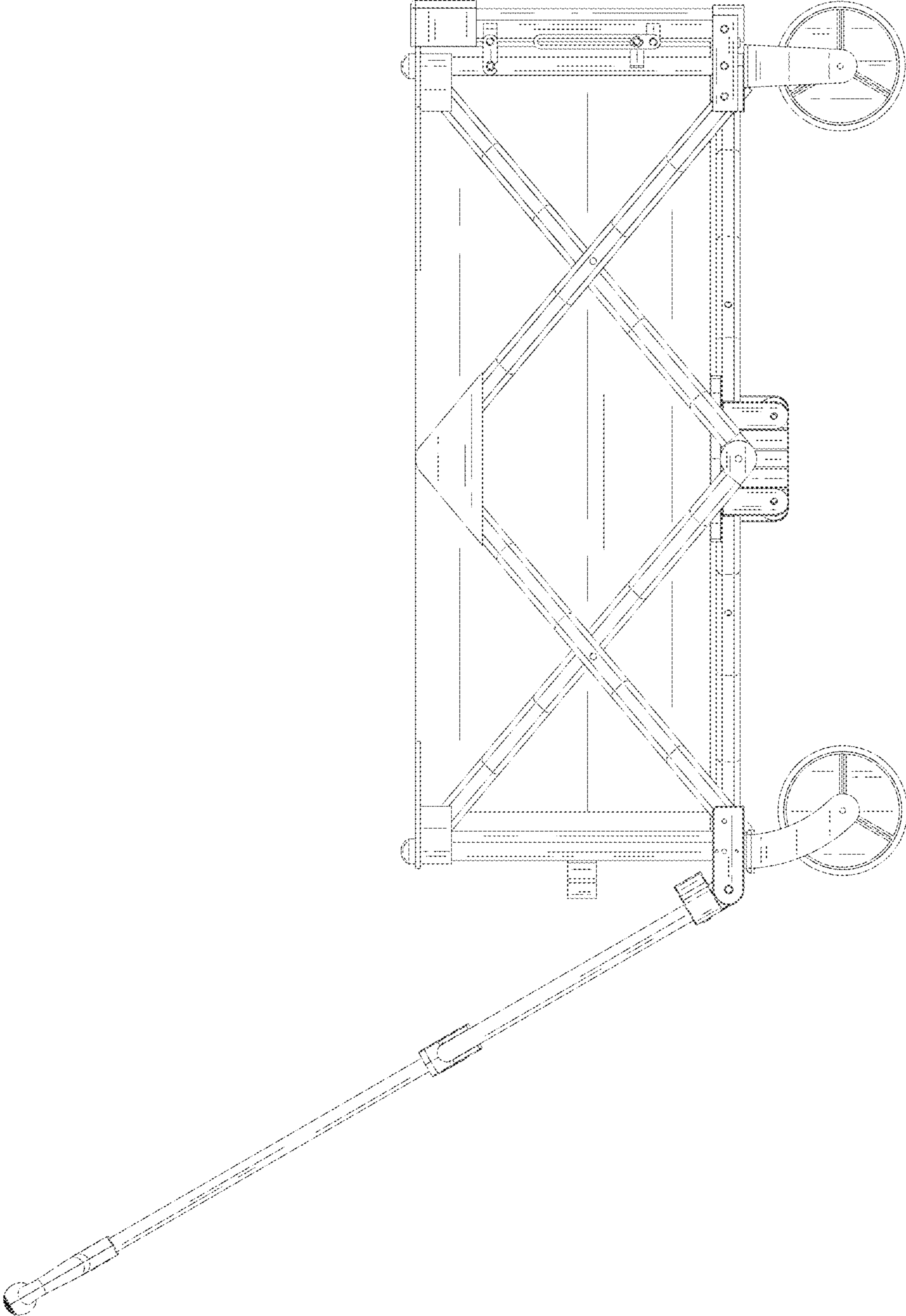


FIG. 4

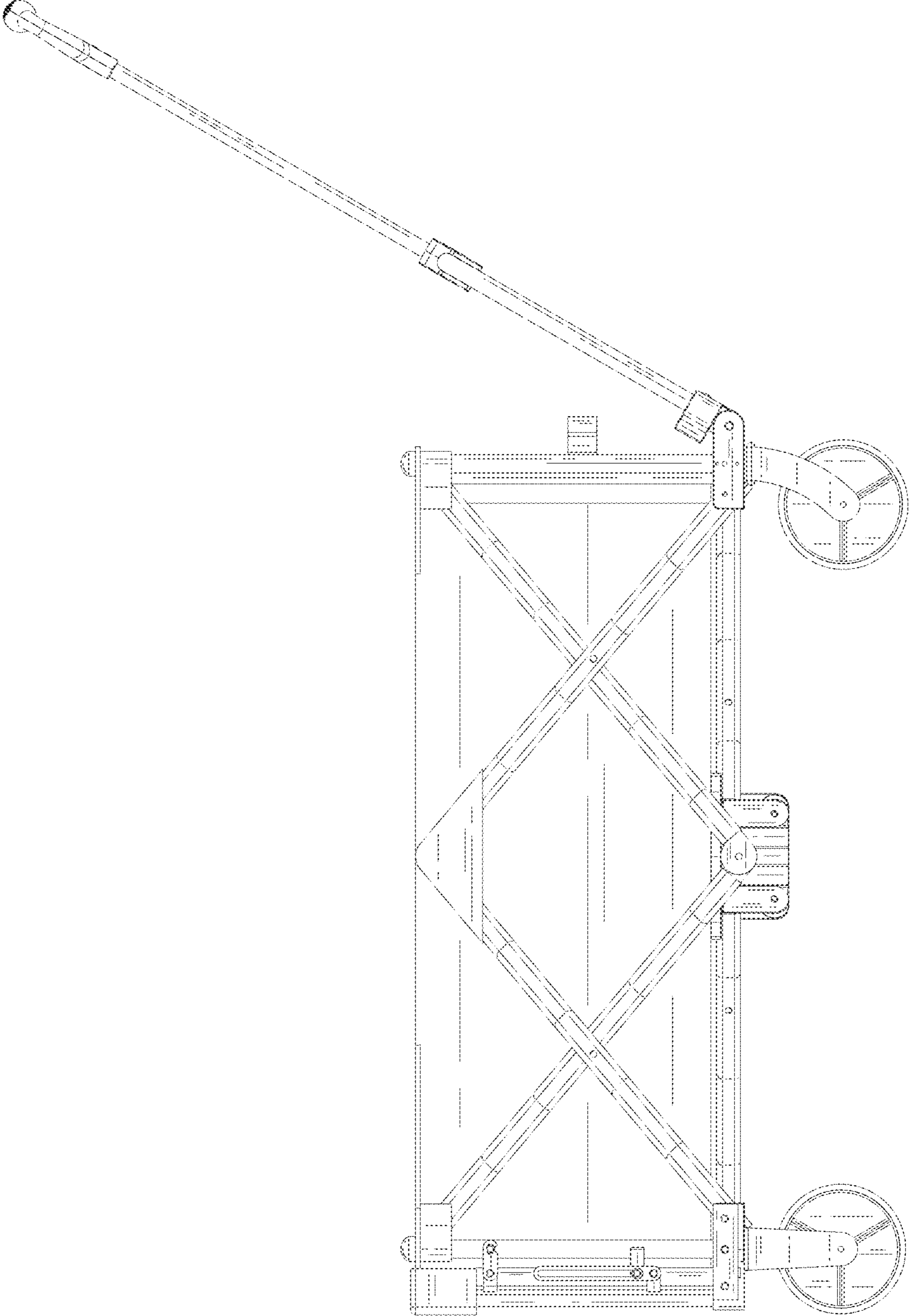


FIG. 5

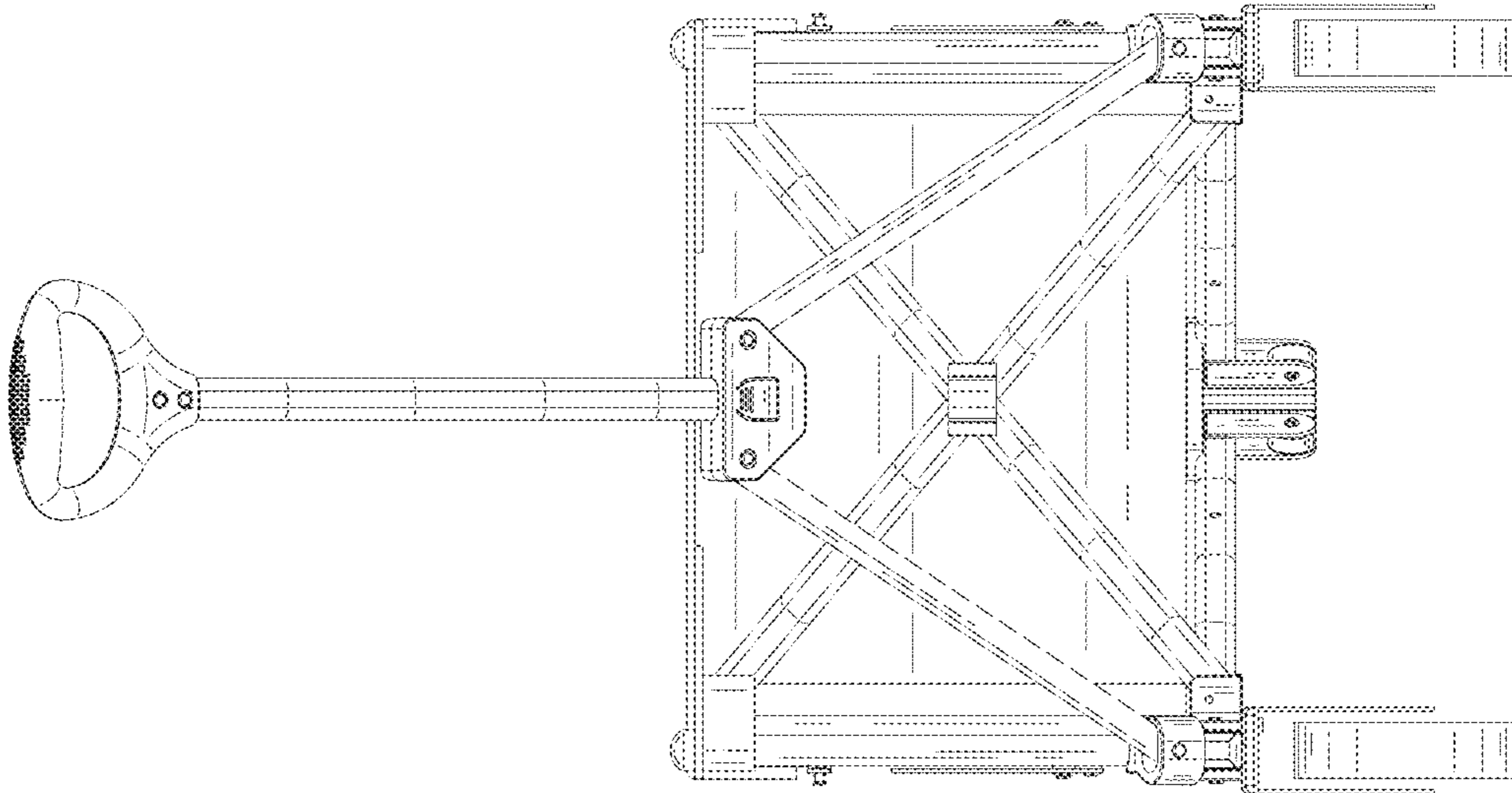


FIG. 6



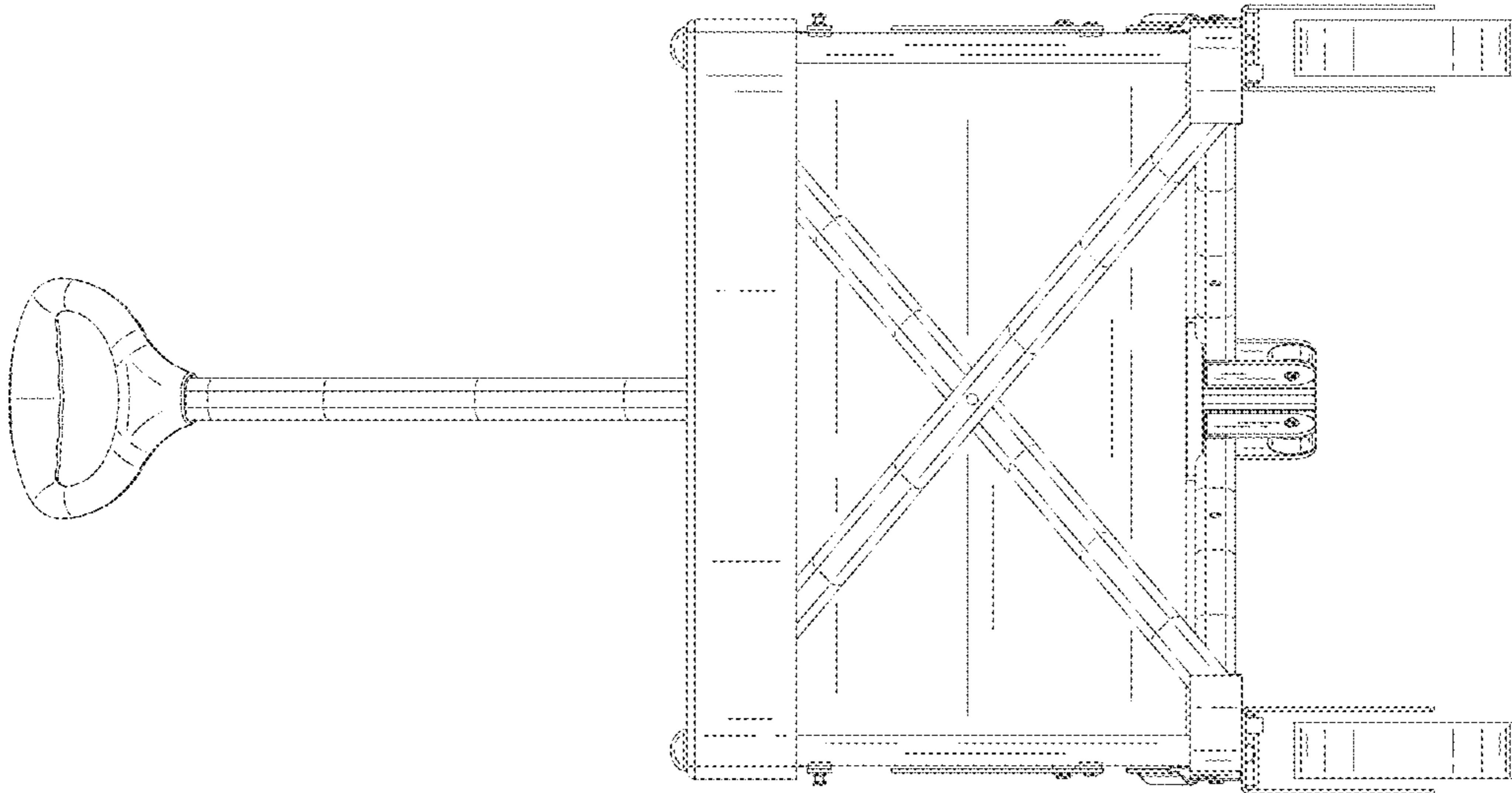


FIG. 7

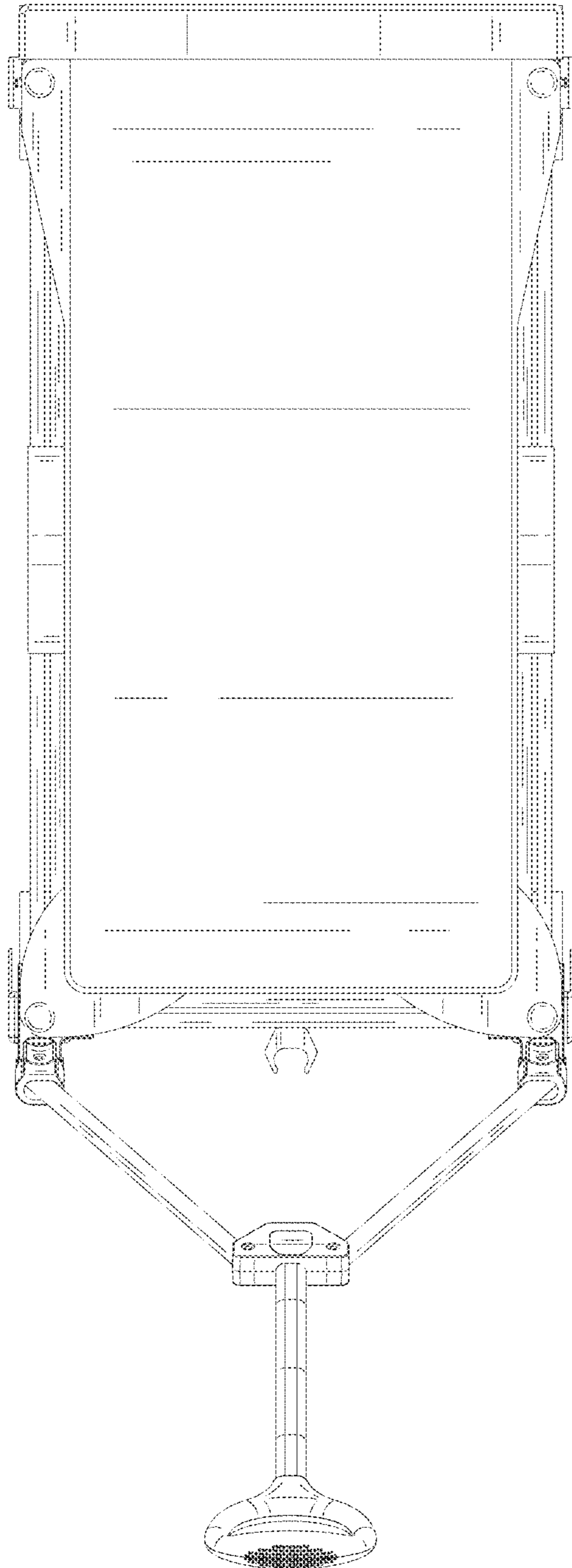


FIG. 8

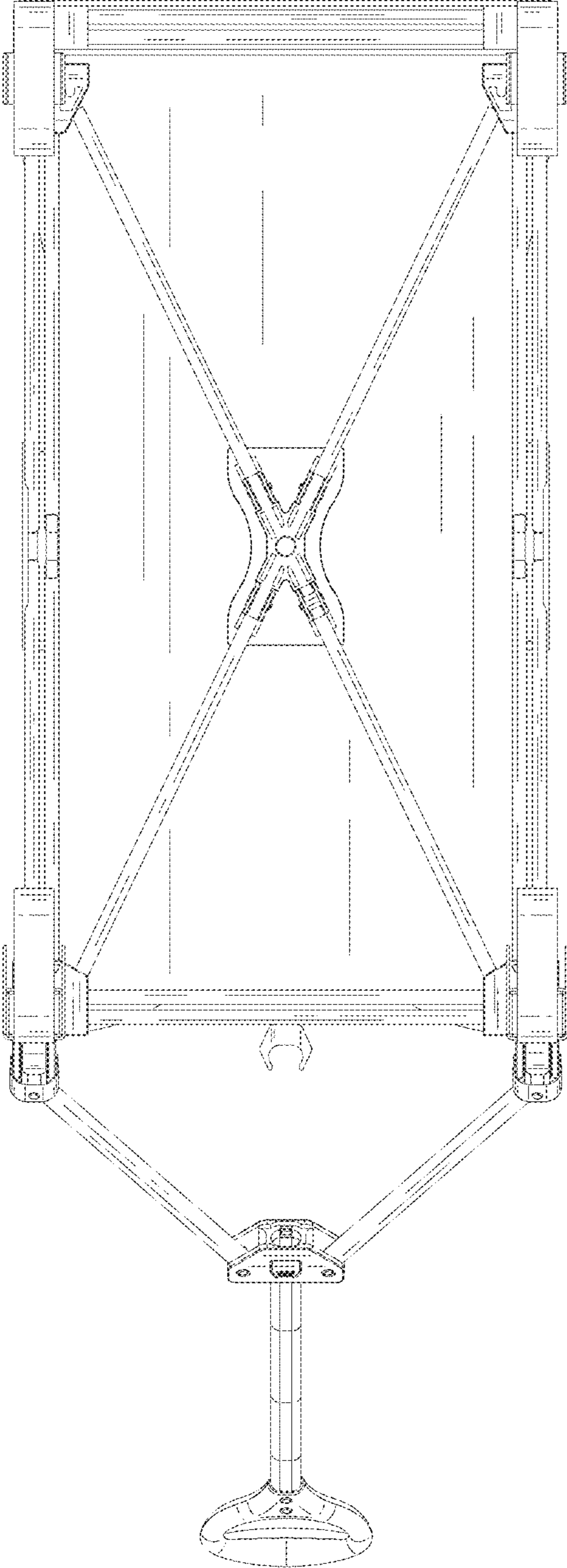


FIG. 9

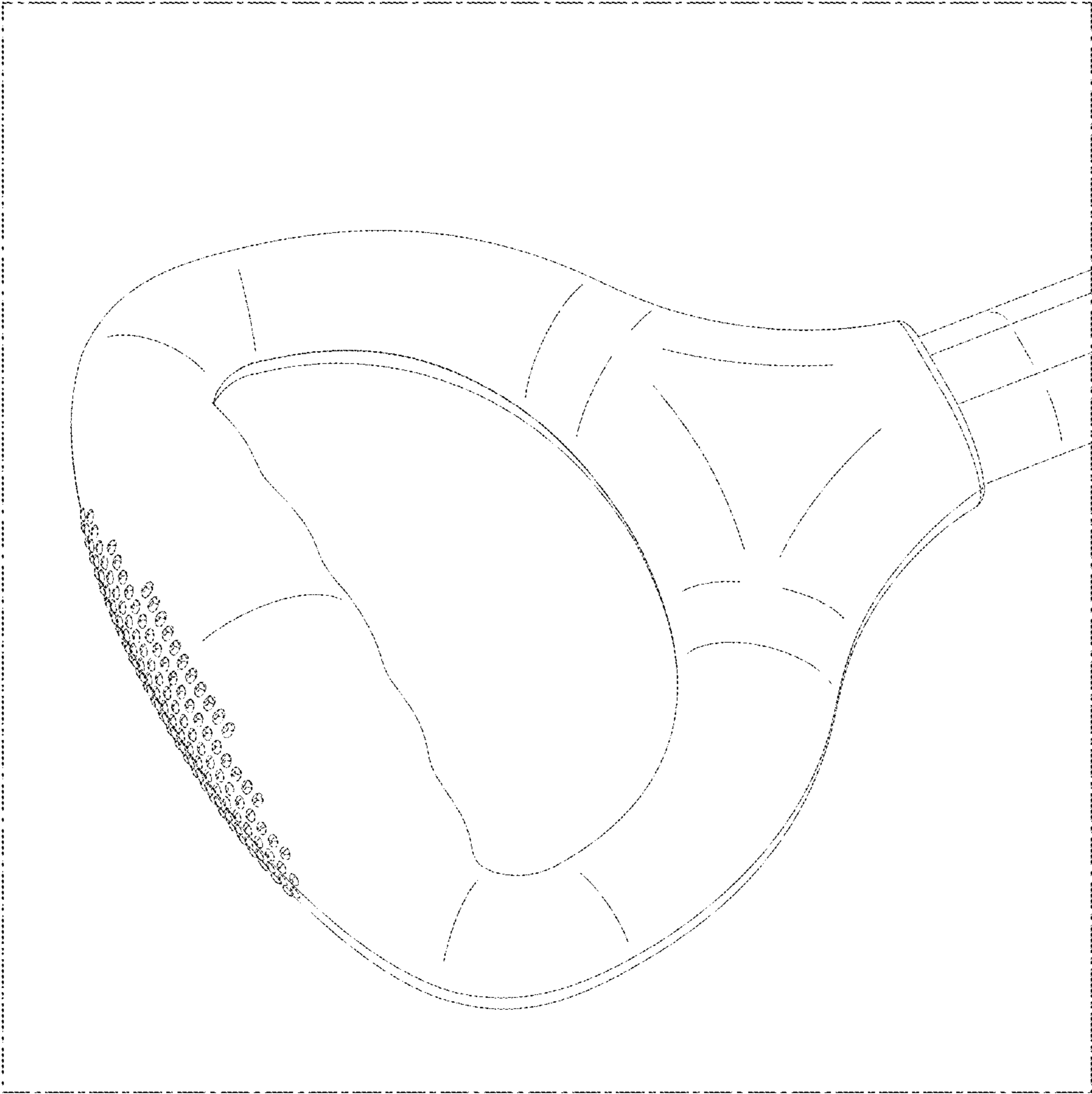


FIG. 10

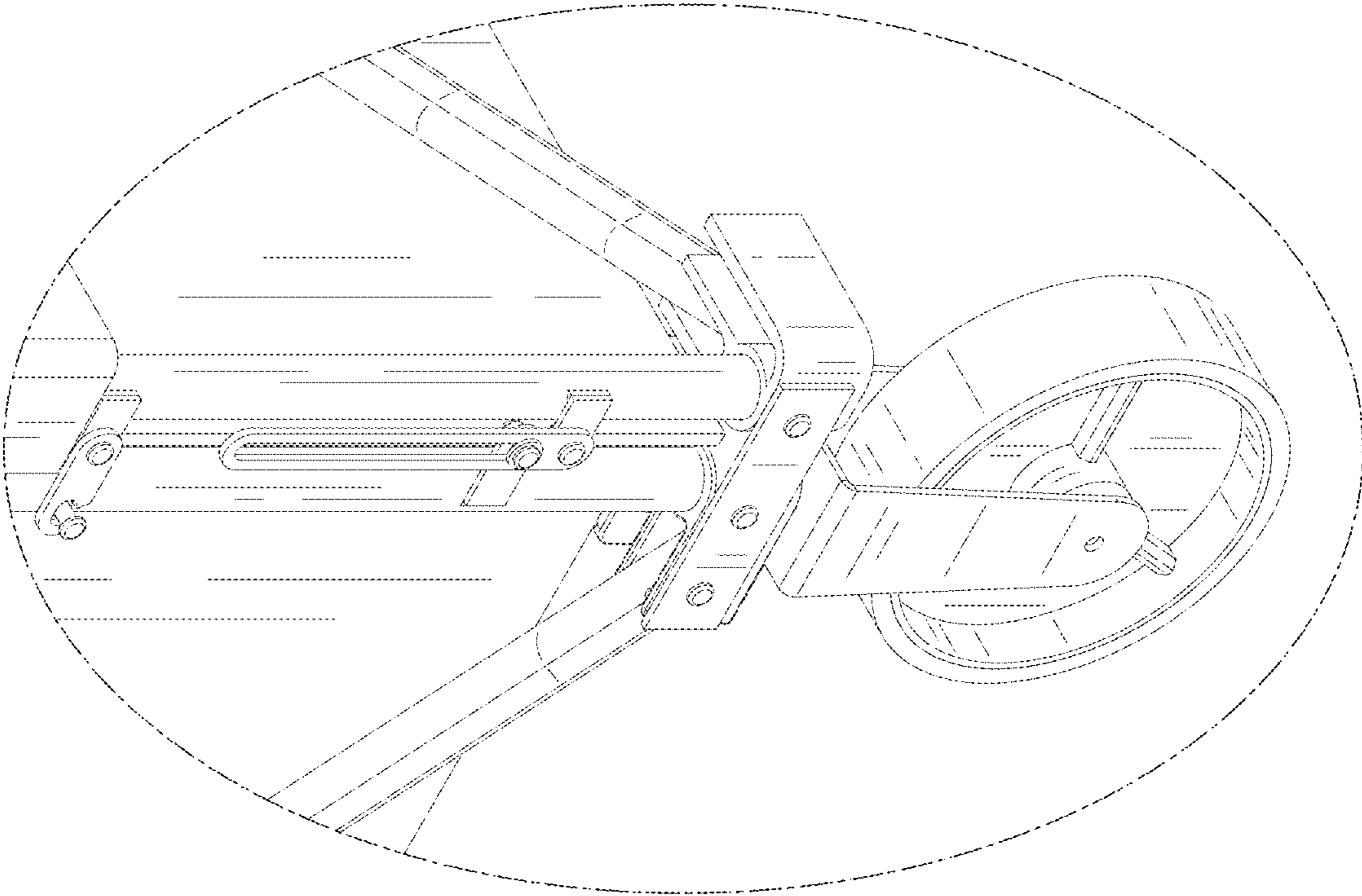


FIG. 11