

US00D978466S

(12) **United States Design Patent** (10) **Patent No.:** **US D978,466 S**
Folley (45) **Date of Patent:** **** Feb. 14, 2023**

(54) **SOAP-DISPENSING SPONGE HANDLE**

(71) Applicant: **Scott David Folley**, Rockville, MD (US)

(72) Inventor: **Scott David Folley**, Rockville, MD (US)

(**) Term: **15 Years**

(21) Appl. No.: **29/814,123**

(22) Filed: **Nov. 3, 2021**

Related U.S. Application Data

(63) Continuation-in-part of application No. 29/773,264, filed on Mar. 8, 2021.

(51) **LOC (14) Cl.** **07-05**

(52) **U.S. Cl.**
USPC **D32/45**

(58) **Field of Classification Search**
USPC ... D32/15-16, 18-19, 20-21, 31-32, 40-43,
D32/45-46, 50-52; D4/102, 135
CPC A47L 11/16; A47L 11/10; A47L 11/4038;
A47L 11/4072
See application file for complete search history.

(56) **References Cited**

U.S. PATENT DOCUMENTS

- D315,236 S * 3/1991 Kraselsky D32/42
- D411,368 S * 6/1999 Liu D4/118
- D446,898 S * 8/2001 Brewer D32/45
- D549,411 S * 8/2007 McNeeley D32/45
- 7,311,458 B2 * 12/2007 Verlin A47L 13/51
401/38
- D571,515 S * 6/2008 Krause D32/40
- D690,481 S * 9/2013 Roehm D32/45
- D690,892 S * 10/2013 Krause D32/40
- 8,677,549 B2 * 3/2014 Fields B60S 3/045
206/207
- D719,357 S * 12/2014 Li D4/118

- D752,873 S * 4/2016 Deluca D4/126
- D765,989 S * 9/2016 Garcia Mahiques D4/125
- D776,890 S * 1/2017 Reaux D32/40
- D777,392 S * 1/2017 Reaux D32/40
- D822,298 S * 7/2018 Krause D32/43
- D841,270 S * 2/2019 Reaux D32/40
- D934,522 S * 10/2021 Reaux D32/49
- 2001/0046571 A1 * 11/2001 Eisner B44C 5/00
15/159.1

OTHER PUBLICATIONS

SPongE Daddy soap dispensing handle, customer review Aug. 5, 2021, site visited Apr. 28, 2022, https://www.amazon.ca/Daddy-Handle-Dispensing-Scrub-Sponge/dp/B095GZ1WSS/ref=cm_cr_arp_d_product_top?ie=UTF8.*

* cited by examiner

Primary Examiner — John R Yeh

(74) *Attorney, Agent, or Firm* — Quickpatents, LLC; Kevin Prince

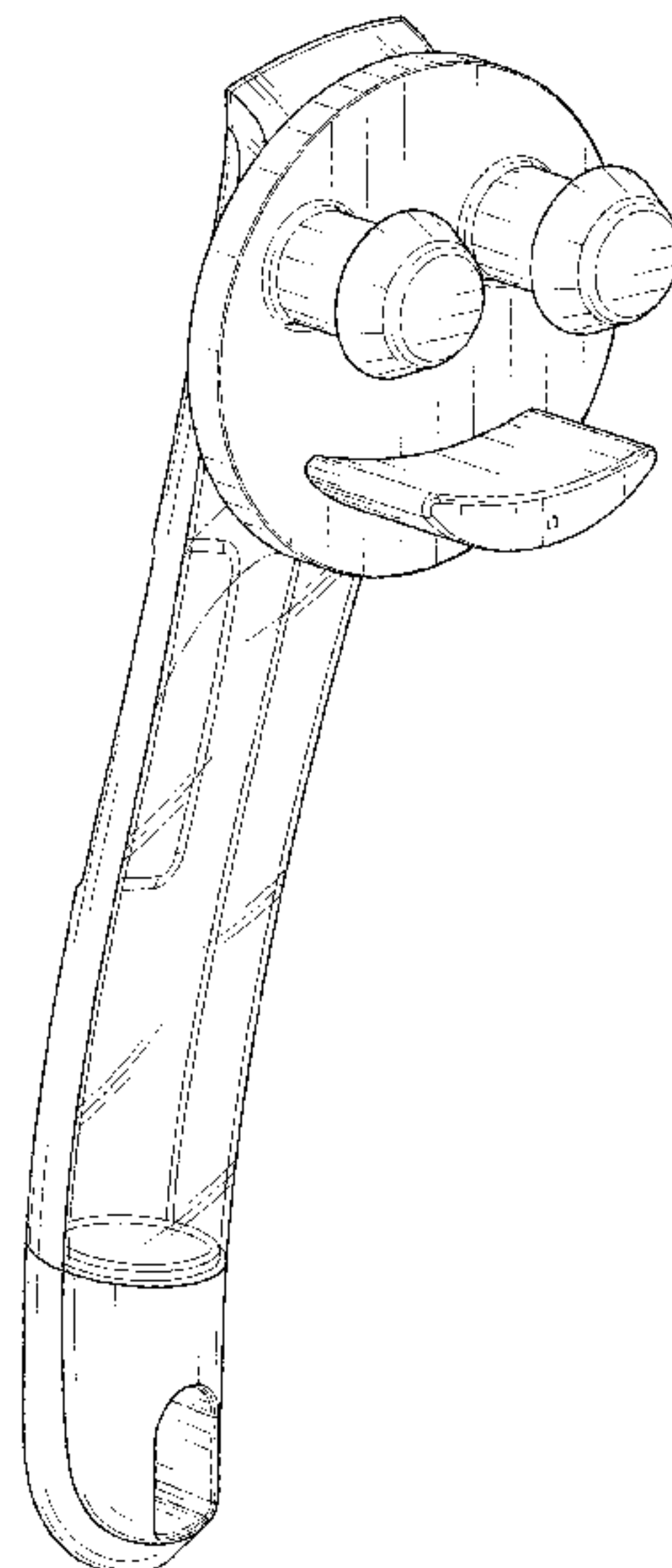
(57) **CLAIM**

The ornamental design for a soap-dispensing sponge handle, as shown and described.

DESCRIPTION

FIG. 1 is a front perspective view of a soap-dispensing sponge handle, showing my new design; FIG. 2 is a rear perspective view thereof; FIG. 3 is a front elevational view thereof; FIG. 4 is a rear elevational view thereof; FIG. 5 is a left-side elevational view thereof; FIG. 6 is a right-side elevational view thereof; FIG. 7 is a top plan view thereof; and, FIG. 8 is a bottom plan view thereof. The broken lines depict portions of the soap-dispensing sponge handle that form no part of the claimed design.

1 Claim, 7 Drawing Sheets



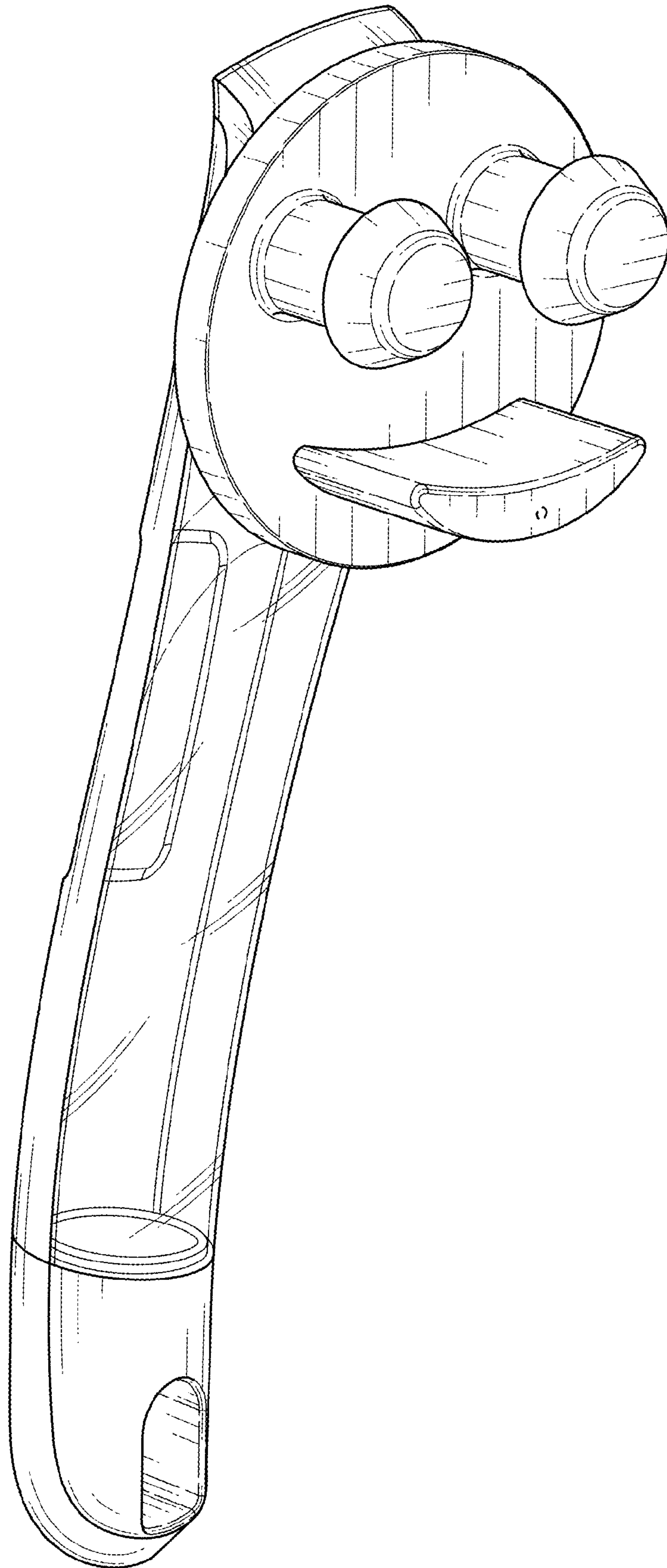


FIG. 1

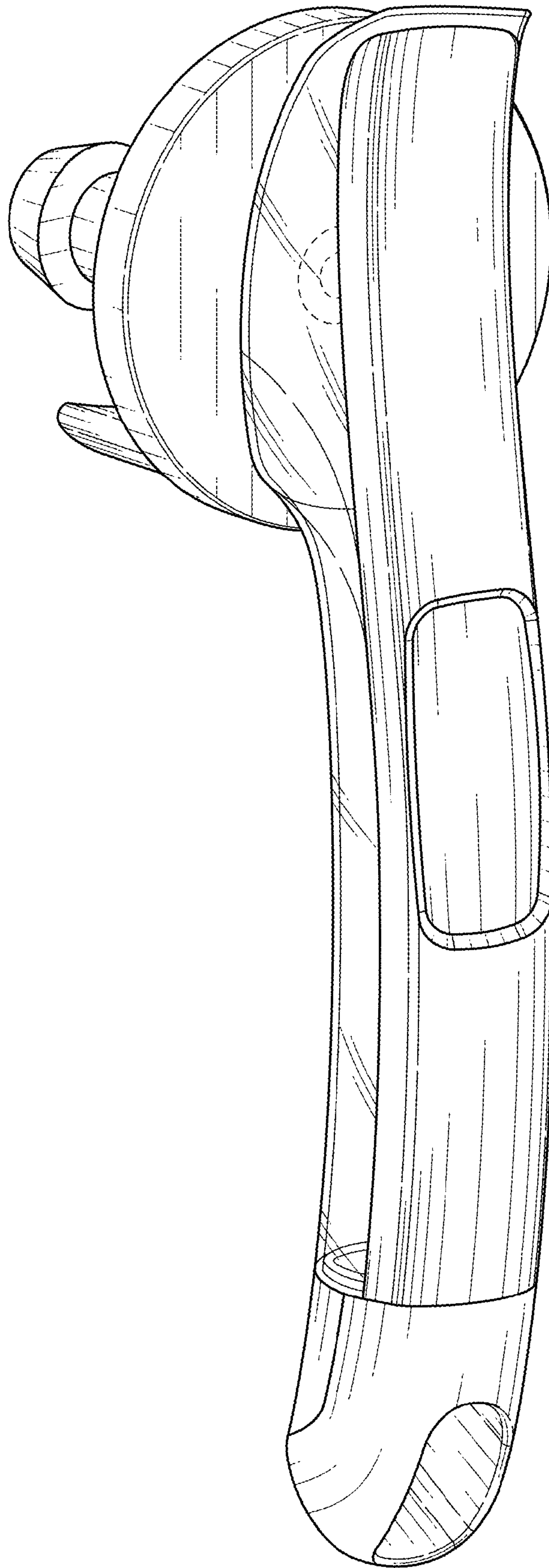


FIG. 2

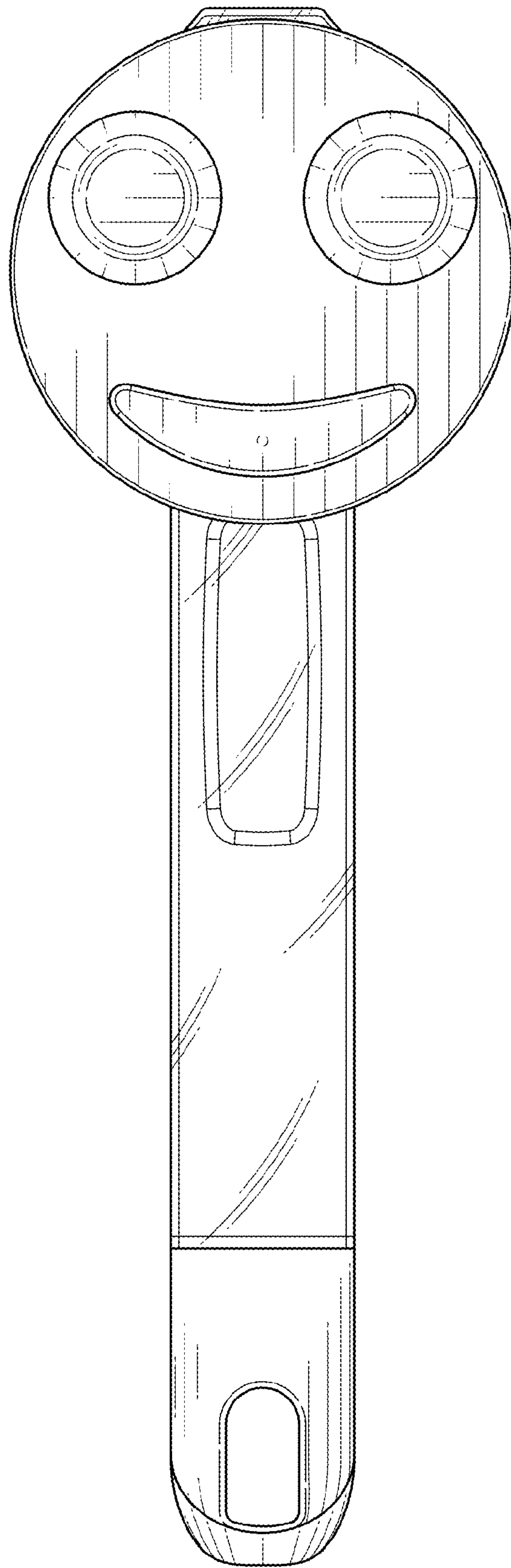


FIG. 3

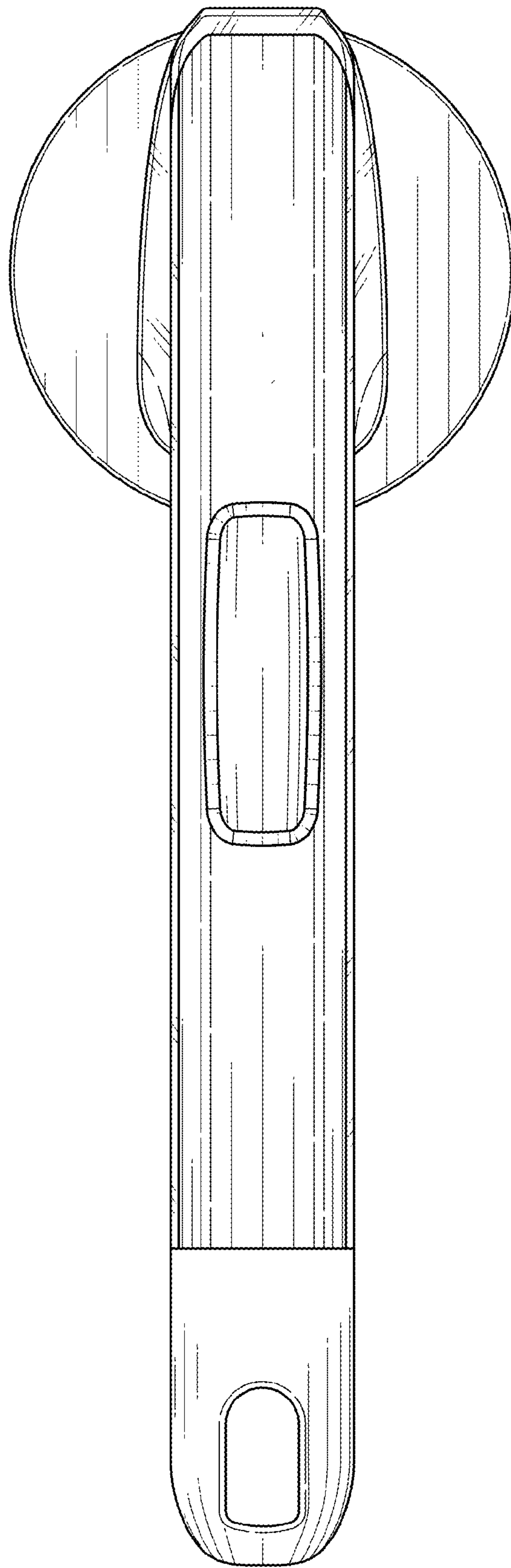


FIG. 4

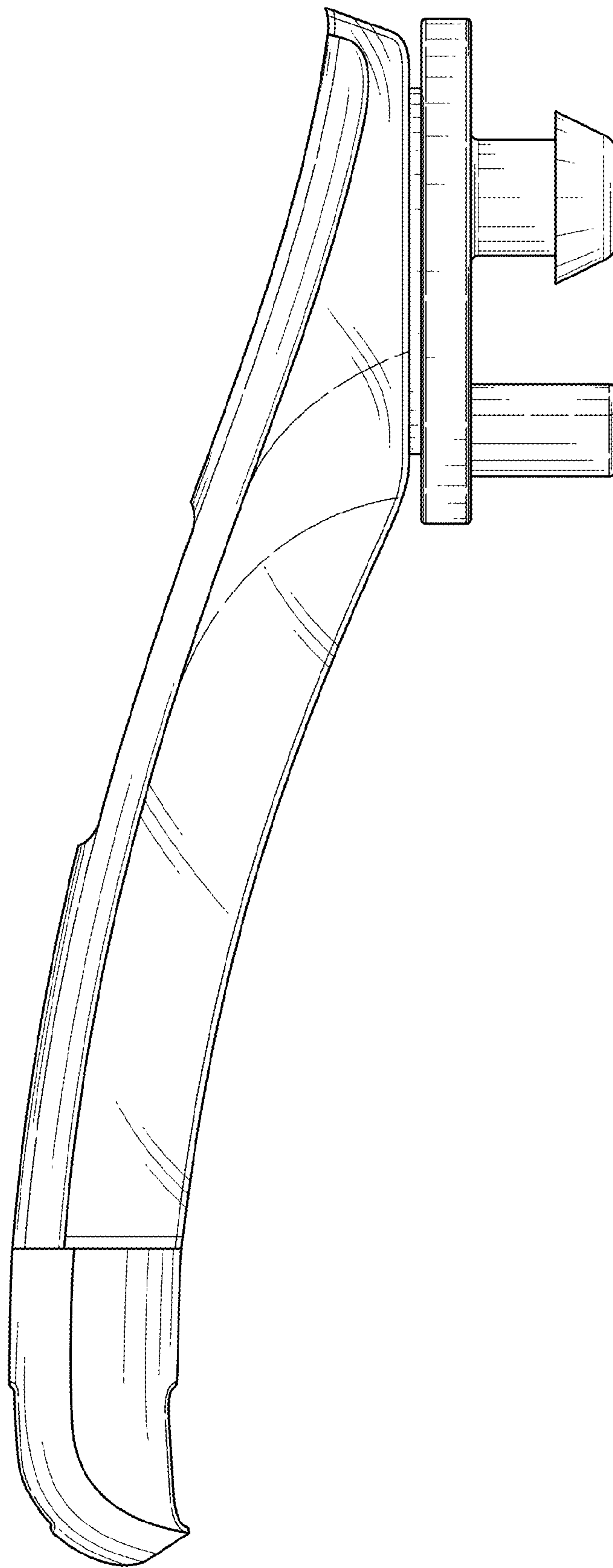


FIG. 5

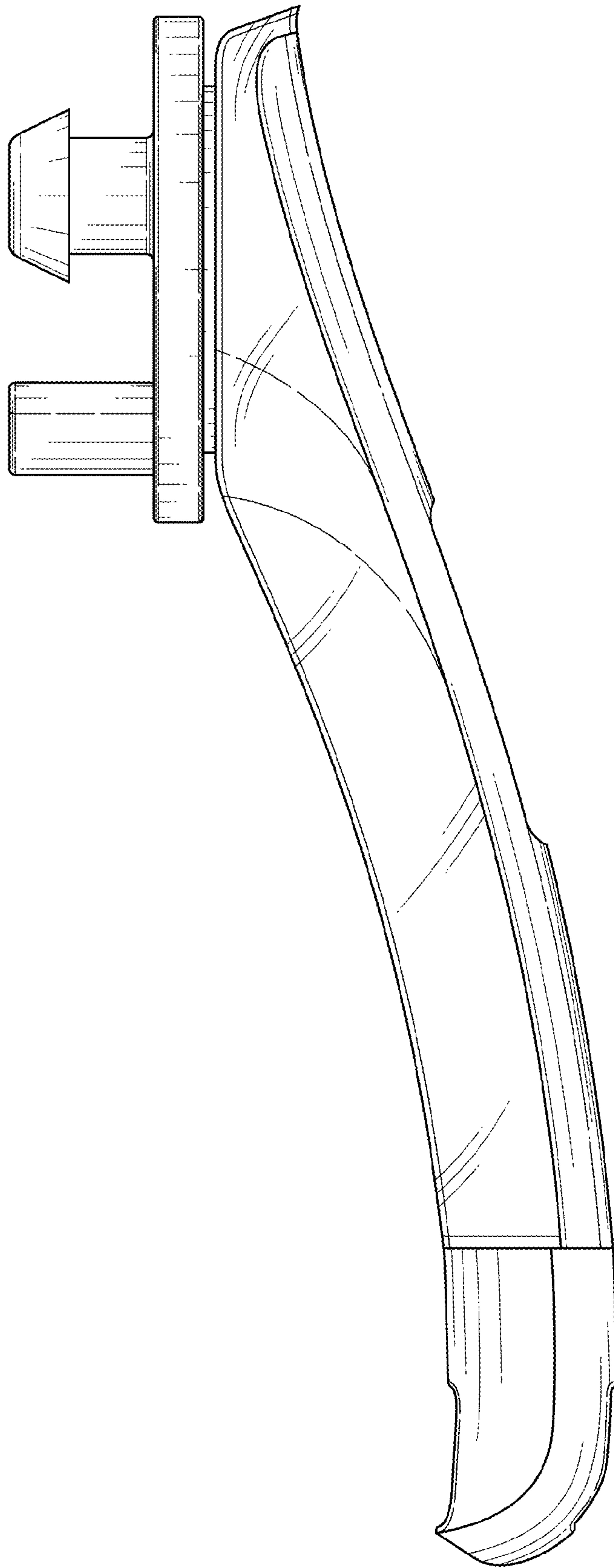


FIG. 6

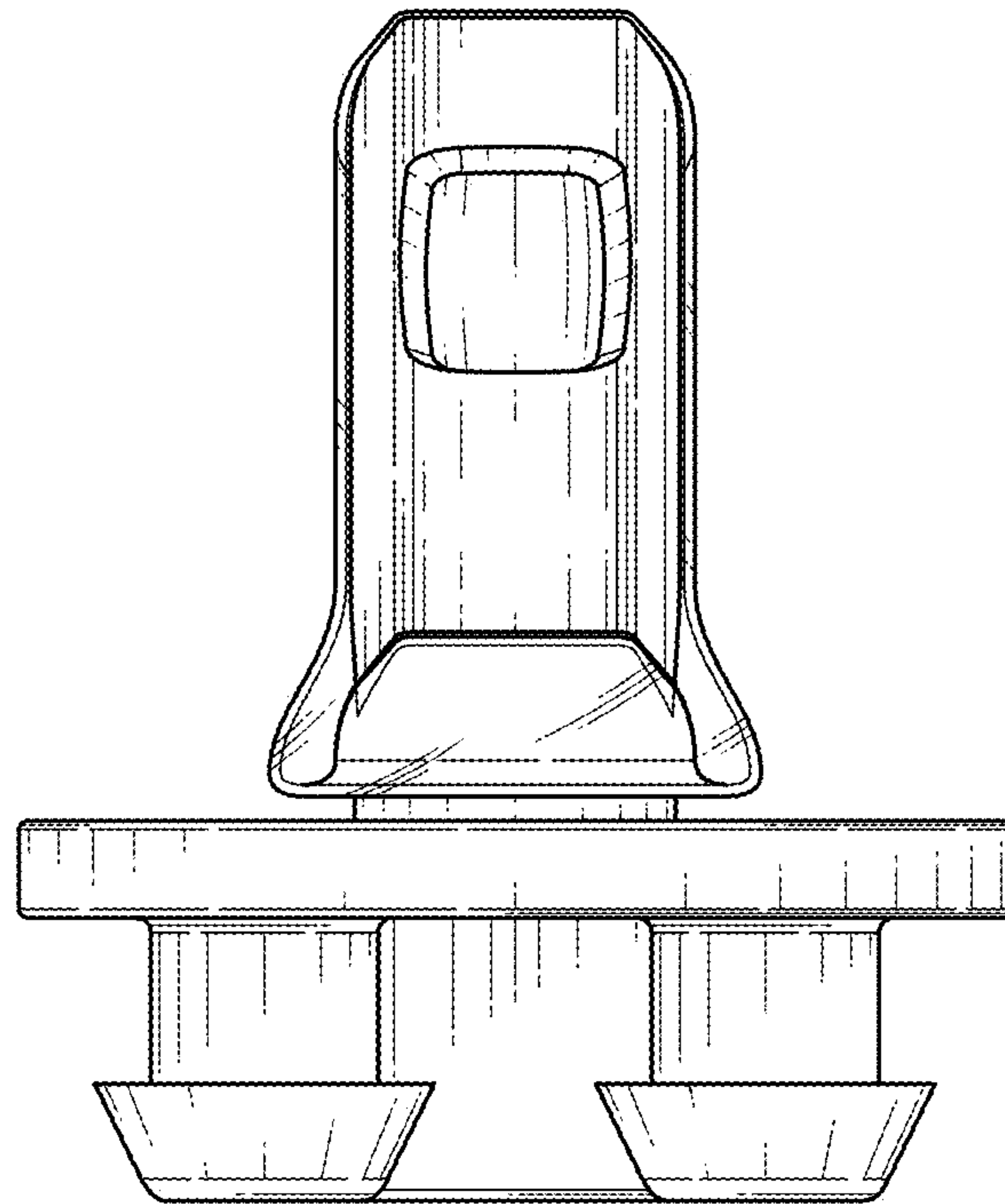


FIG. 7

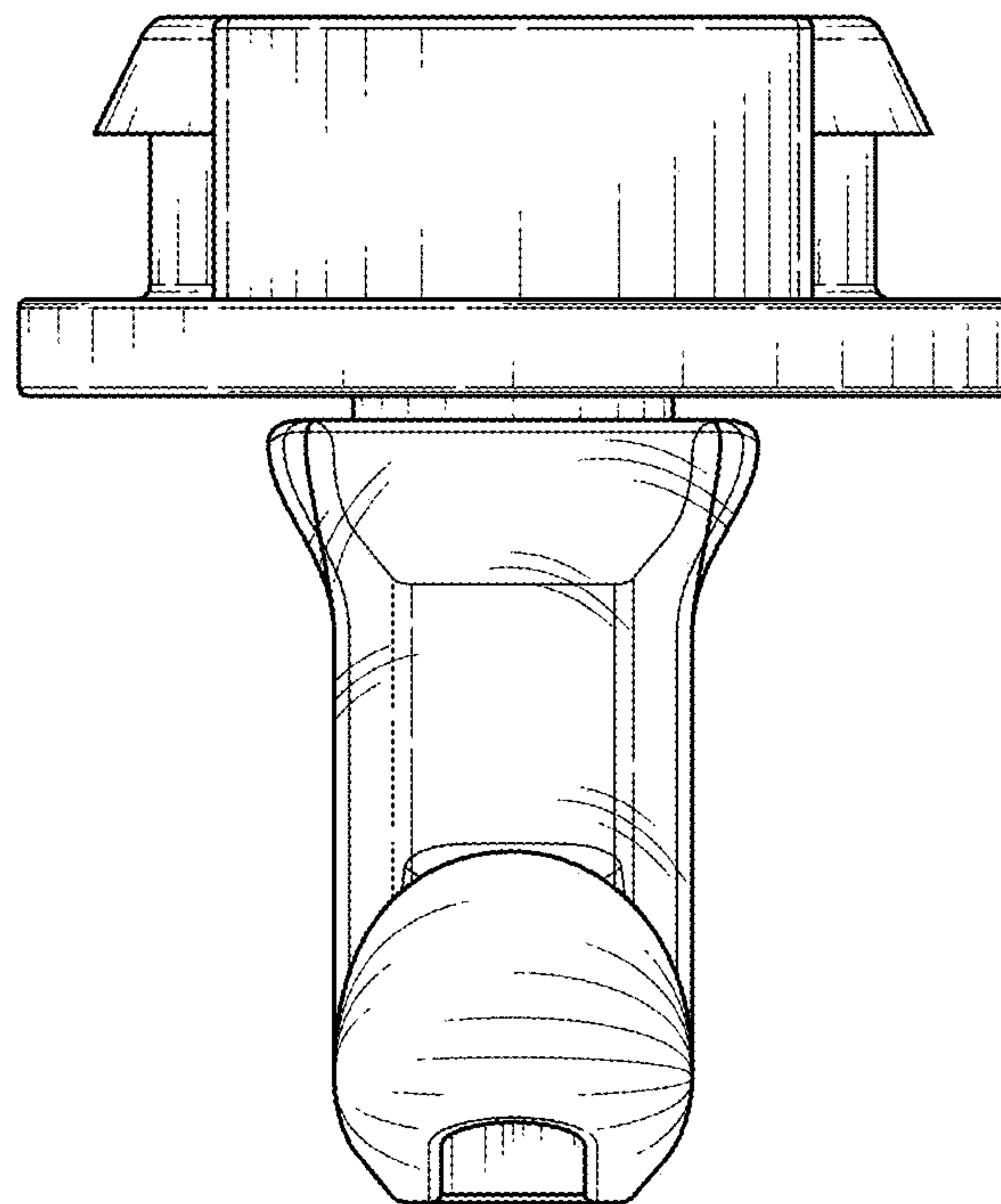


FIG. 8