



US00D978464S

(12) **United States Design Patent**
Gong et al.

(10) **Patent No.:** **US D978,464 S**

(45) **Date of Patent:** **** Feb. 14, 2023**

(54) **SWEEPING ROBOT**

(71) Applicant: **Beijing Roborock Technology Co., Ltd.**, Beijing (CN)

(72) Inventors: **Dahong Gong**, Beijing (CN);
Hongliang Xu, Beijing (CN)

(**) Term: **15 Years**

(21) Appl. No.: **35/513,203**

(22) Filed: **Jun. 25, 2021**

(80) **Hague Agreement Data**

Int. Filing Date: **Jun. 25, 2021**

Int. Reg. No.: **DM/216843**

Int. Reg. Date: **Jun. 25, 2021**

Int. Reg. Pub. Date: **Oct. 22, 2021**

(30) **Foreign Application Priority Data**

Jan. 4, 2021 (CN) 202130002204.X

(51) **LOC (14) Cl.** **15-05**

(52) **U.S. Cl.**
USPC **D32/21**

(58) **Field of Classification Search**
USPC D32/15-24, 31-34
CPC A47L 9/2868; A47L 9/00; A47L 11/20;
A47L 11/30; A47L 11/40; A47L 9/009;
A47L 9/2805; A47L 9/22; A47L 11/4061
See application file for complete search history.

(56) **References Cited**

U.S. PATENT DOCUMENTS

D840,617 S * 2/2019 Dou D32/21
10,394,248 B2 * 8/2019 Cao A47L 9/2805
D867,701 S * 11/2019 Mi D32/31
D869,109 S * 12/2019 Yu D32/21
10,725,477 B2 * 7/2020 Nan G05D 1/0238
D901,110 S * 11/2020 Li A47L 9/009
D32/21

D917,117 S * 4/2021 Cao D32/21
D919,211 S * 5/2021 Chang D32/21
D919,910 S * 5/2021 Li D32/21
D921,308 S * 6/2021 Cao D32/21
D921,309 S * 6/2021 Liu D32/21
D922,011 S * 6/2021 Ren D32/21
D927,108 S * 8/2021 Choi D32/21

(Continued)

FOREIGN PATENT DOCUMENTS

CN 304926998 * 12/2018
CN 305211139 * 6/2019

(Continued)

OTHER PUBLICATIONS

Roborock S7 review—Ultra efficient two-in-one cleaning (on-line), reviewed Mar. 24, 2021. Retrieved from Internet Aug. 25, 2022, URL: <https://www.zdnet.com/product/roborock-s7-robot-vacuum/> (3 pages) (Year: 2021).*

(Continued)

Primary Examiner — Kimberly Barnes
(74) *Attorney, Agent, or Firm* — Morgan, Lewis & Bockius LLP

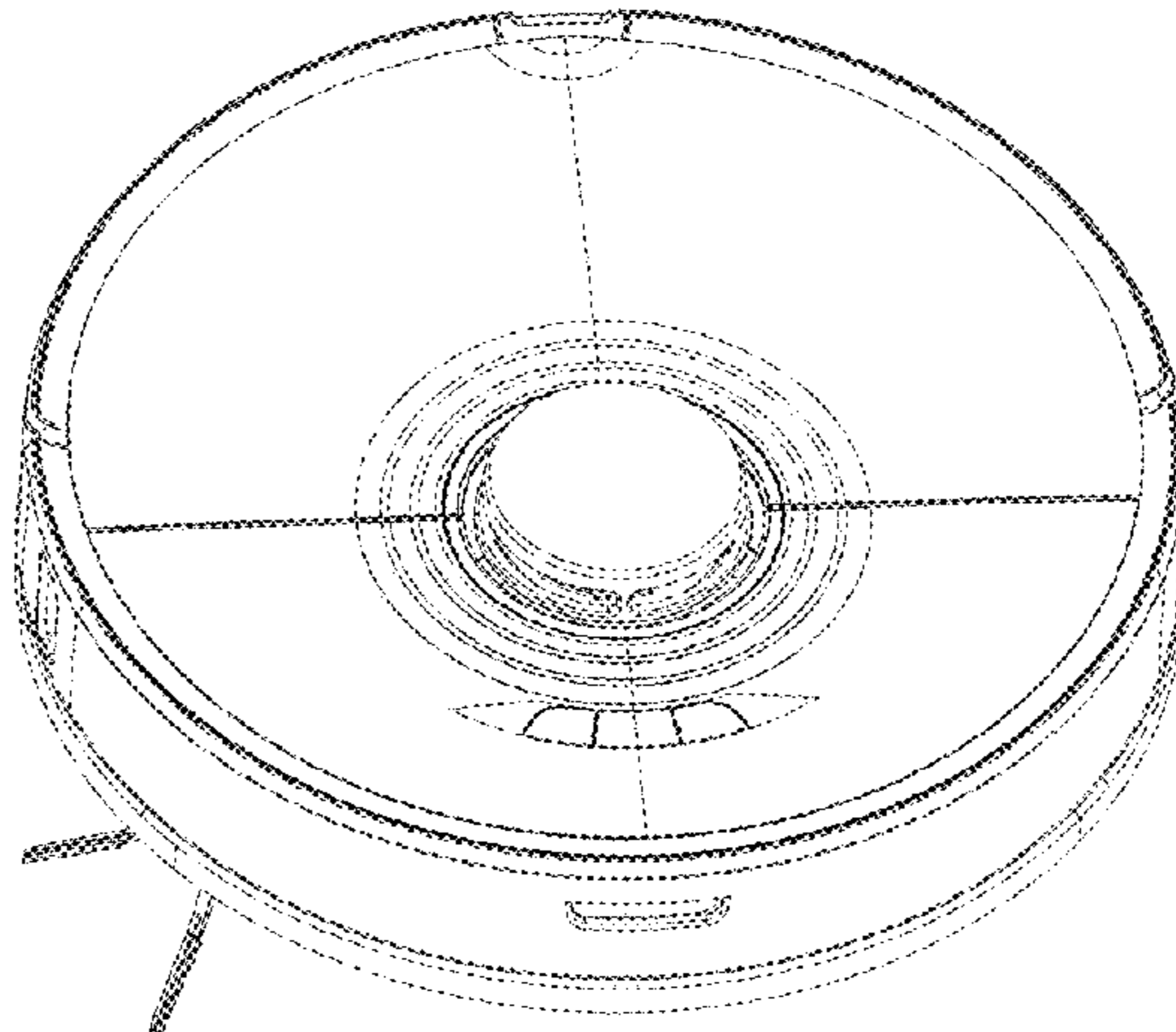
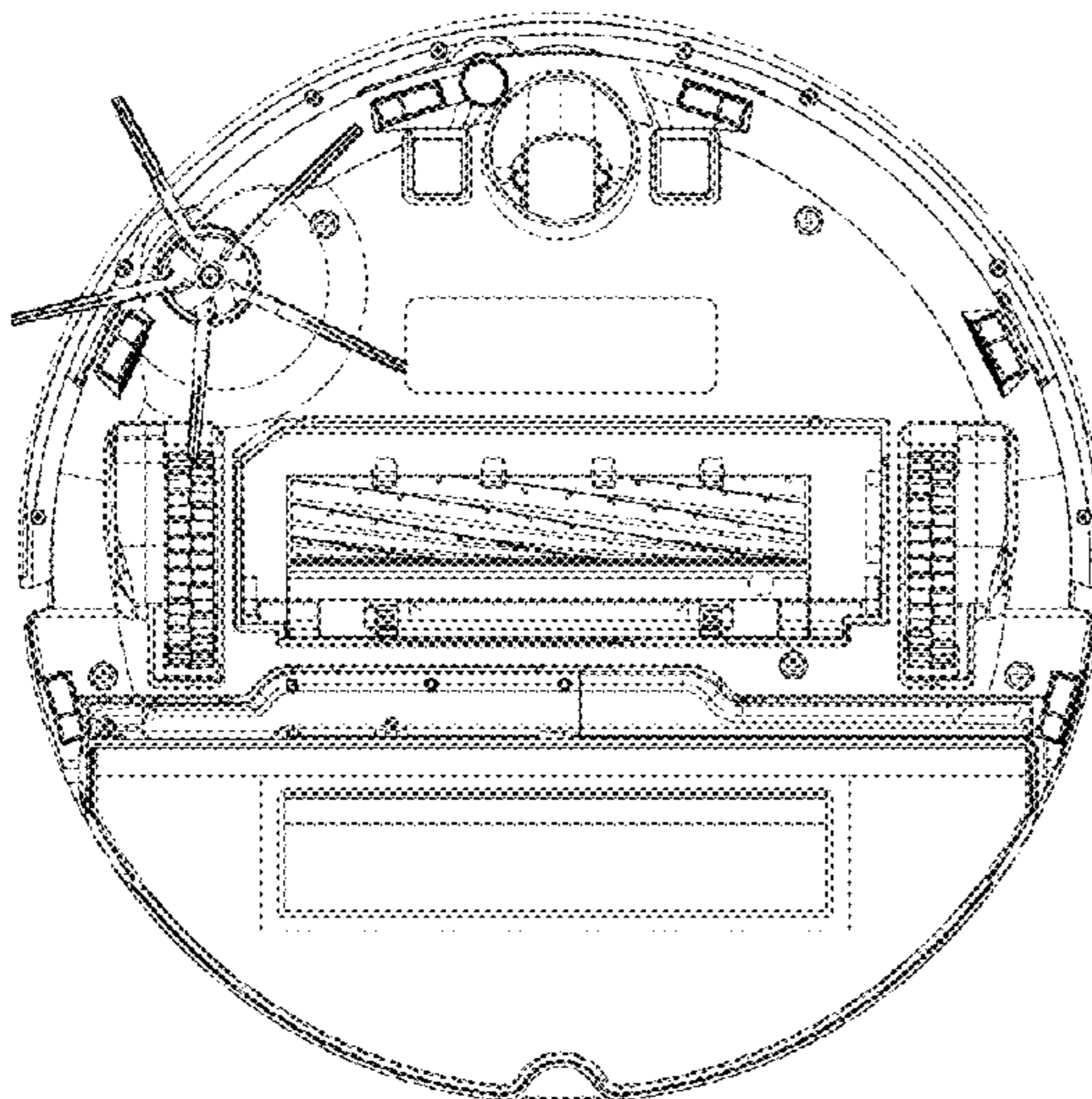
(57) **CLAIM**

We claim the ornamental design for a sweeping robot, as shown and described.

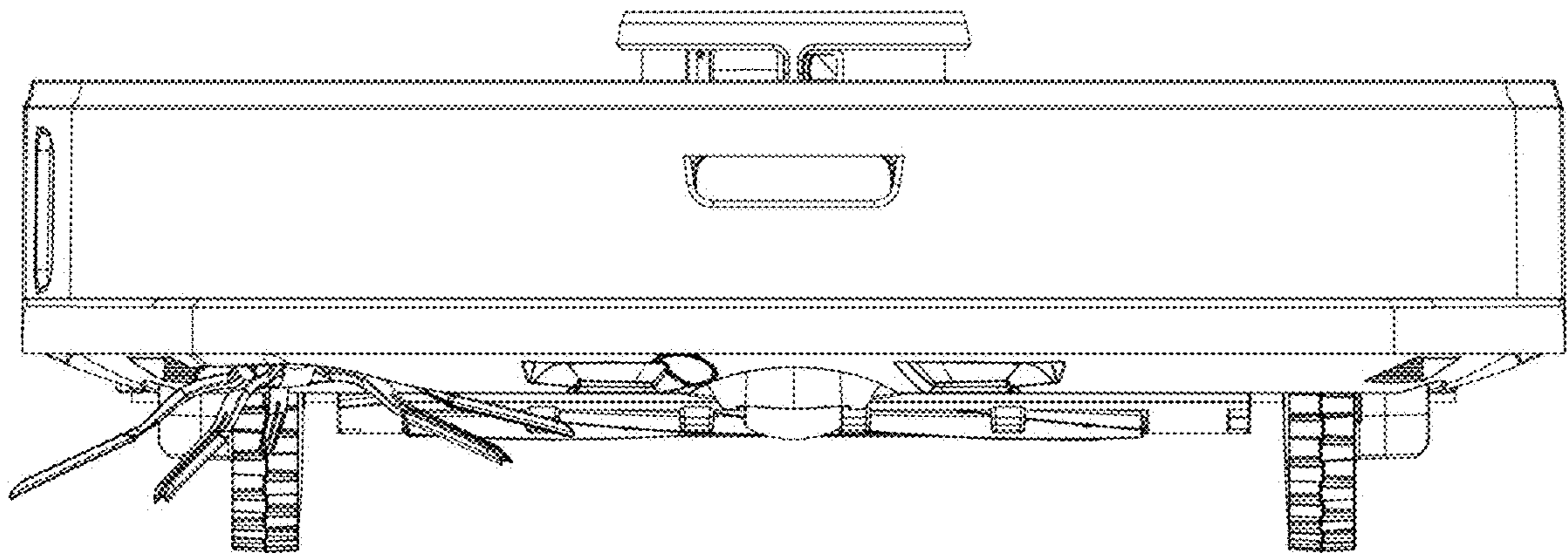
DESCRIPTION

1.1 is a front view of a sweeping robot showing our new design;
1.2 is a back view thereof;
1.3 is a left view thereof;
1.4 is a right view thereof;
1.5 is a top view thereof;
1.6 is a bottom view thereof; and
1.7 is a perspective view thereof.

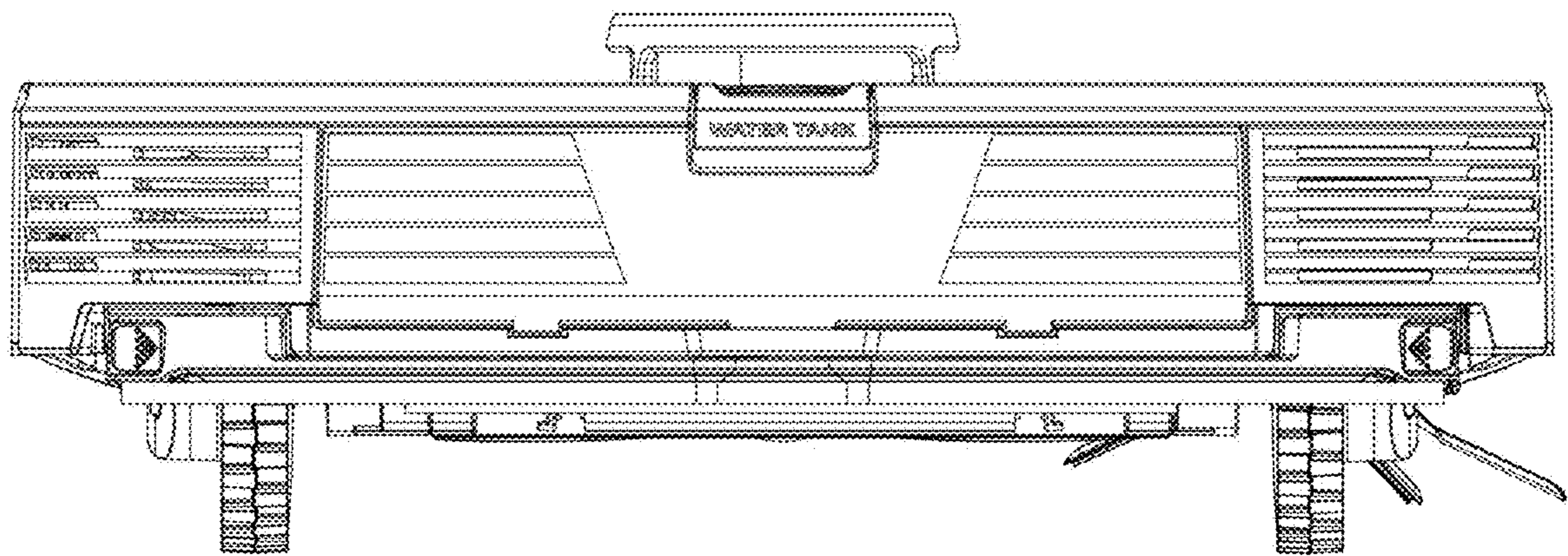
1 Claim, 7 Drawing Sheets



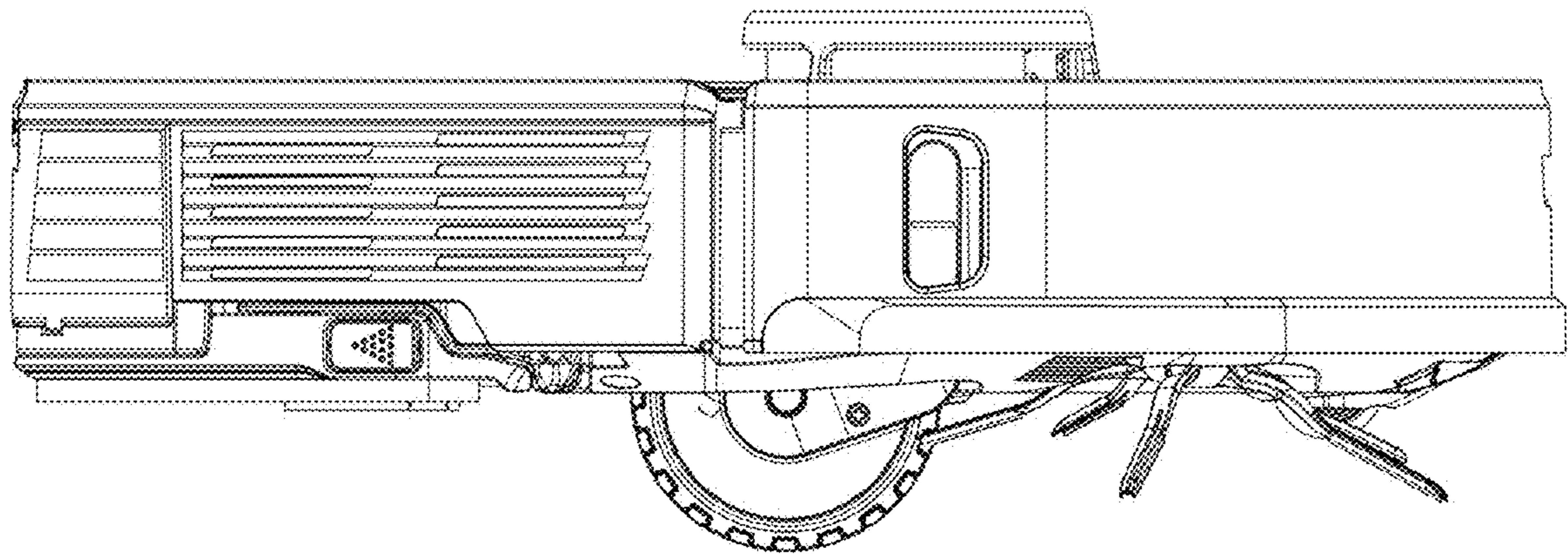
1.1



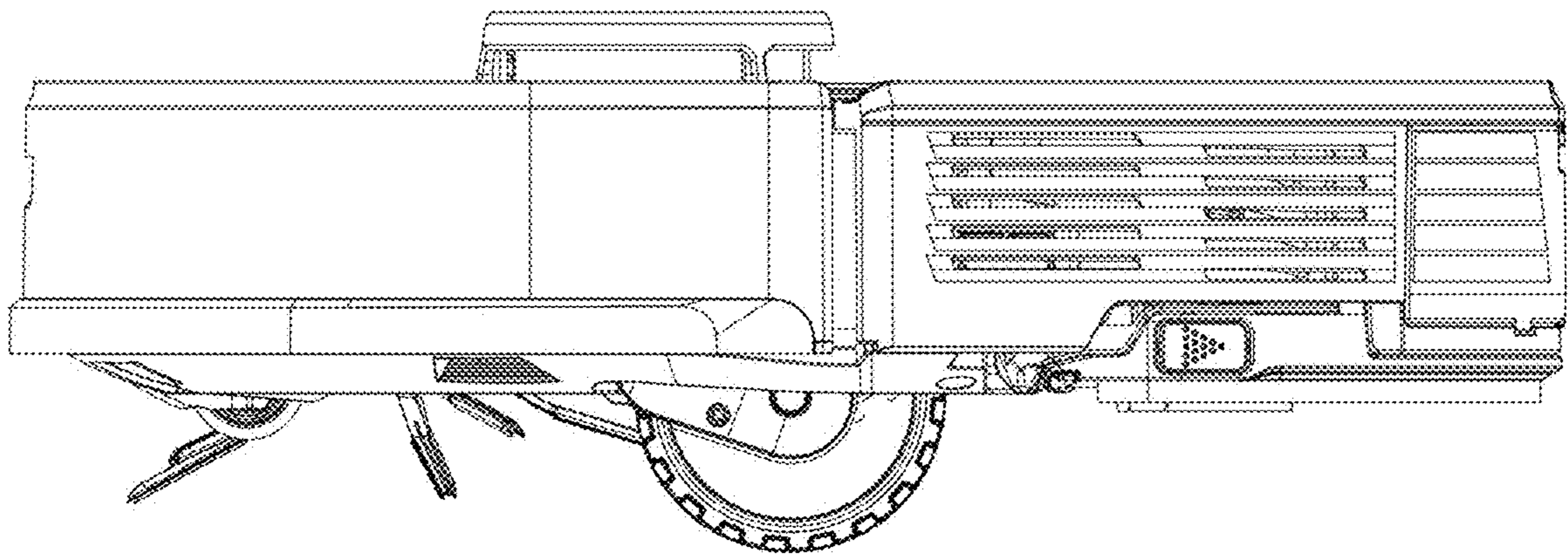
1.2



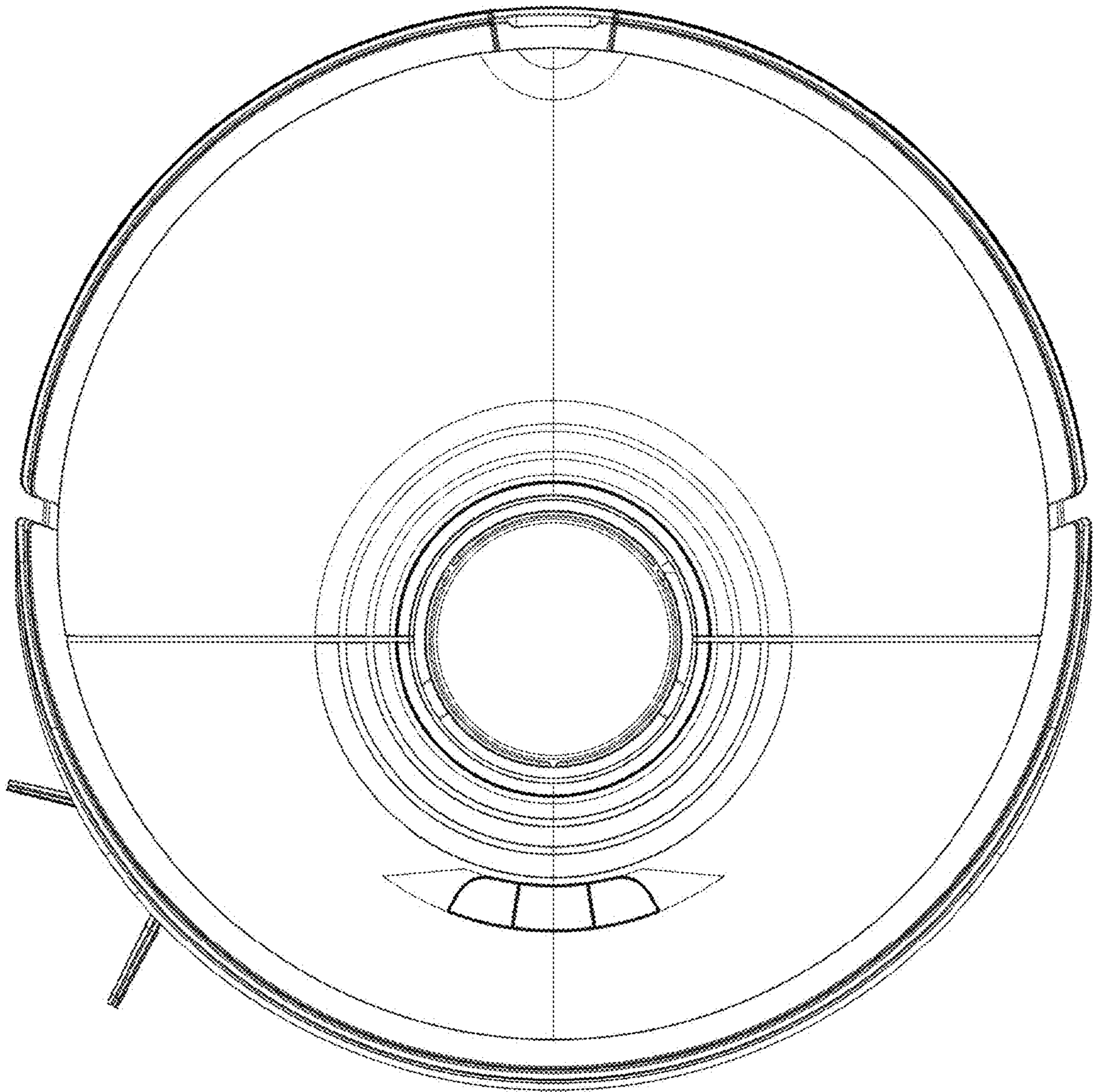
1.3



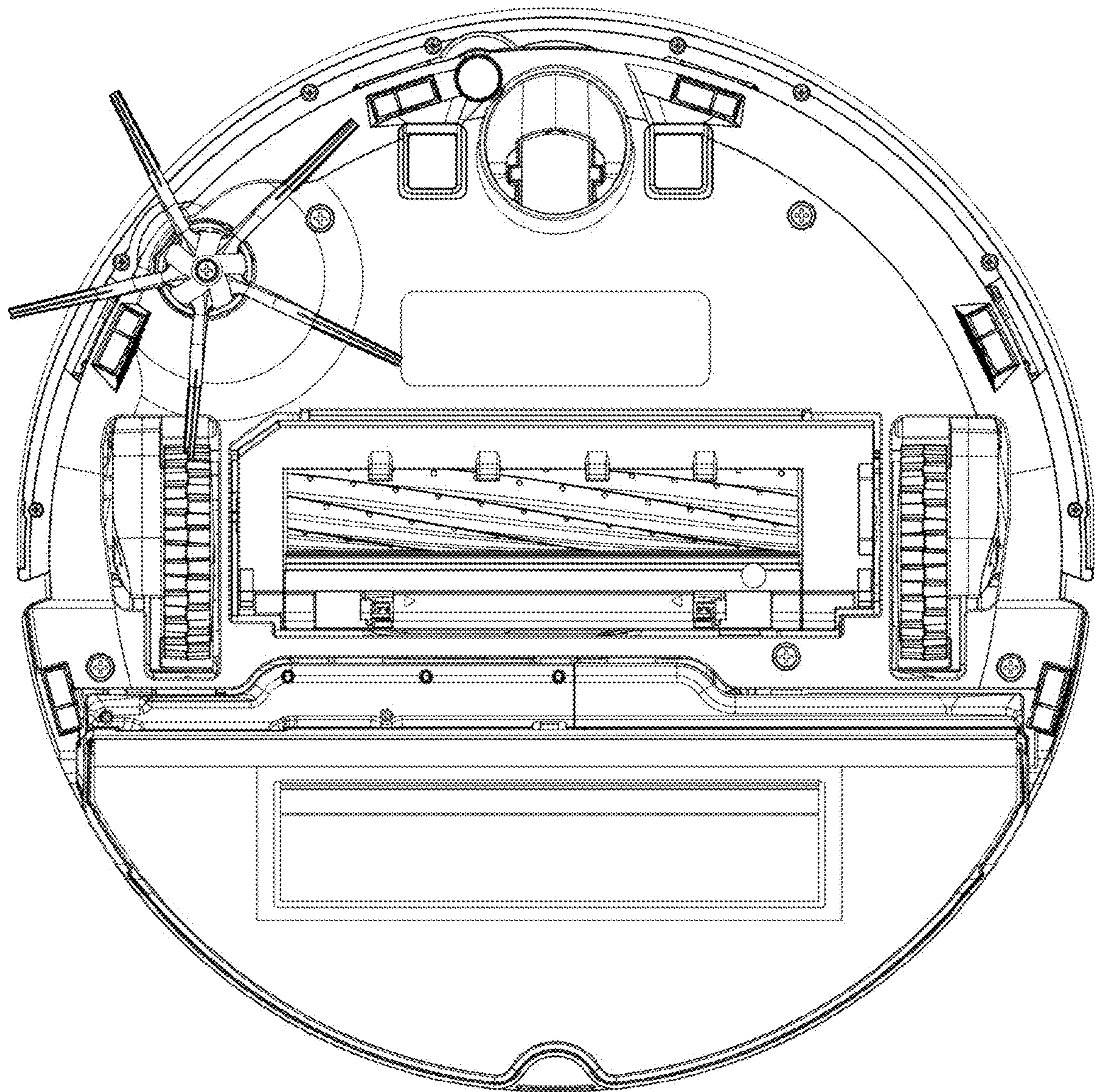
1.4



1.5



1.6



1.7

