



US00D978462S

(12) **United States Design Patent**
Xia et al.

(10) **Patent No.:** **US D978,462 S**
(45) **Date of Patent:** **** Feb. 14, 2023**

(54) **ROBOT CLEANER**

(71) Applicant: **SHENZHEN VANTOP TECHNOLOGY & INNOVATION CO., LTD.**, Shenzhen (CN)

(72) Inventors: **Yijia Xia**, Shenzhen (CN); **Long Cheng**, Shenzhen (CN); **Haiwen Yang**, Shenzhen (CN); **Jun Li**, Shenzhen (CN); **Dongsheng Wang**, Shenzhen (CN)

(73) Assignee: **SHENZHEN VANTOP TECHNOLOGY & INNOVATION CO., LTD.**, Shenzhen (CN)

(**) Term: **15 Years**

(21) Appl. No.: **29/785,496**

(22) Filed: **May 26, 2021**

(51) **LOC (14) Cl.** **15-05**

(52) **U.S. Cl.**
USPC **D32/21**

(58) **Field of Classification Search**
USPC D32/1, 15, 21, 31; D8/70, 310, 330; D10/37-38, 50, 106.2, 106.5; D13/108, D13/209, 254; D21/526, 578
CPC . A47L 5/08; A47L 5/30; A47L 7/0004; A47L 9/04; A47L 9/168; A47L 9/2805; A47L 9/2873; A47L 11/4011; A47L 11/4016; A47L 11/4038; A47L 11/4041; A47L 11/4044; A47L 2201/02; A47L 2201/04; A47L 2201/06; B08B 9/035; B25J 9/0003; B25J 9/1694; E04H 4/1636; F21V 33/0044; G05D 1/0225; G06N 3/008

See application file for complete search history.

(56) **References Cited**

U.S. PATENT DOCUMENTS

D548,902 S * 8/2007 Chun D32/21
D593,265 S * 5/2009 Carr D32/21

D658,341 S * 4/2012 Nam D32/21
D778,514 S 2/2017 Park et al.
D779,750 S 2/2017 Choi et al.
D835,869 S * 12/2018 Li D32/21
D840,617 S * 2/2019 Dou D32/21

(Continued)

FOREIGN PATENT DOCUMENTS

CN 304839316 * 10/2018
GB 6115543 * 12/2020

(Continued)

OTHER PUBLICATIONS

Amarey A800 Robot Vacuum Cleaner, announced in YouTube on Aug. 22, 2018 [online], [site visited Oct. 19, 2020], Available from the internet URL: <https://www.youtube.com/watch?v=OF2c8YKJeGY> (Year: 2018).*

(Continued)

Primary Examiner — Jennifer Rivard
Assistant Examiner — Jennylou M Binas

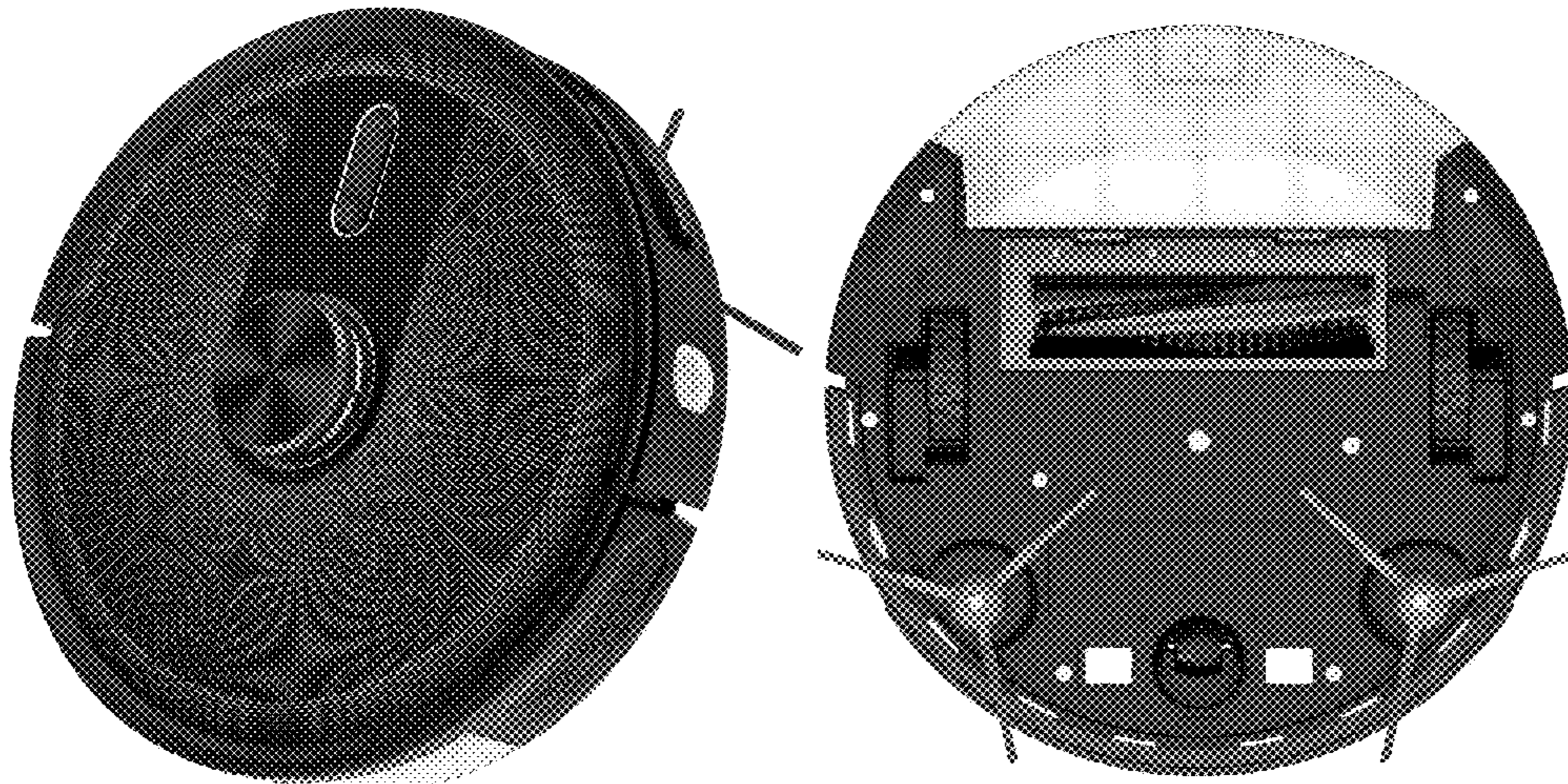
(57) **CLAIM**

The ornamental design for a robot cleaner, as shown and described.

DESCRIPTION

FIG. 1 is a perspective view of a robot cleaner showing our new design;
FIG. 2 is a front elevational view thereof;
FIG. 3 is a rear elevational view thereof;
FIG. 4 is a left side elevational view thereof;
FIG. 5 is a right side elevational view thereof;
FIG. 6 is a top plan view thereof; and,
FIG. 7 is a bottom plan view thereof.
The even broken lines on the robot cleaner and the areas within the even broken lines, show portions of the robot cleaner that form no part of the claimed design.

1 Claim, 7 Drawing Sheets



(56)

References Cited

U.S. PATENT DOCUMENTS

D867,701	S	*	11/2019	Mi	D32/31
D869,109	S	*	12/2019	Yu	D32/21
D872,953	S	*	1/2020	Ebrahimi Afrouzi	D32/21
D876,035	S	*	2/2020	Song	D32/21
D884,298	S	*	5/2020	Li	D32/21
D885,698	S	*	5/2020	Li	D32/21
D885,699	S	*	5/2020	Li	D32/21
10,725,477	B2	*	7/2020	Nan	G05D 1/0238
D893,819	S	*	8/2020	Li	D32/21
D902,508	S	*	11/2020	Ebrahimi Afrouzi	D32/21
D903,961	S	*	12/2020	Li	D32/21
D906,607	S	*	12/2020	Chen	D32/21
D906,608	S	*	12/2020	Li	D32/21
D921,308	S	*	6/2021	Cao	D32/21
D922,011	S	*	6/2021	Ren	D32/21
D927,108	S	*	8/2021	Choi	D32/21
D929,690	S	*	8/2021	Cheng	A47L 9/009 D15/199
D932,123	S	*	9/2021	Li	D32/21
D933,319	S	*	10/2021	Lyu	D15/199
D935,712	S	*	11/2021	Wang	D32/21
D938,116	S	*	12/2021	Yu	D32/21
D940,771	S	*	1/2022	Xie	A47L 9/009 D15/199
D948,143	S	*	4/2022	Pearce	D32/21
D955,073	S	*	6/2022	Tan	D32/21
D965,241	S	*	9/2022	Tan	D32/21
D965,932	S	*	10/2022	Li	D32/21

FOREIGN PATENT DOCUMENTS

GB	6130857	*	4/2021
GB	6139112	*	5/2021
GB	6149556	*	7/2021

OTHER PUBLICATIONS

ABIR X8 Robot Vacuum Cleaner, available in www.gearbest.com, customer review oldest date Jun. 13, 2021 [online], [site visited Mar. 25, 2022], Available from the internet URL: https://www.gearbest.com/vacuum-cleaners/pp_3008627058527846.html#anchorGoodsReviews (Year: 2021).*

Bagotte BG800 Robot Vacuum Cleaner, available in Amazon.com, date first available Jan. 20, 2021 [online], [site visited Mar. 25, 2022], Available from the internet URL: https://www.amazon.com/dp/B09F9HJ3H2/ref=sspa_dk_detail_3 (Year: 2021).*

Mi Robot Vacuum Setup & Review—Automatic Vacuum Cleaner It Works, announced in YouTube on Oct. 26, 2017 [online], [site visited Oct. 19, 2020], Available from the internet URL: <https://www.youtube.com/watch?v=HlqzWMq849c> (Year: 2017).*

Bagotte Super-Thin, 1500Pa Strong Suction, Quiet, Self-Charging Robotic Vacuum Cleaner, available in Amazon.com, date first available Aug. 30, 2021 [online], [site visited Mar. 25, 2022], Available from the internet URL: https://www.amazon.com/dp/B09F3NH5S8/ref=sspa_dk_detail_6 (Year: 2021).*

Roborock S5 Max Robot Vacuum and Mop, available in Amazon.com, date first available Dec. 1, 2019 [online], [site visited Mar. 25, 2022], Available from the internet URL: https://www.amazon.com/dp/B07ZVCPDB4/ref=cm_sw_r_em_apa_fabt1_raiXFb5ZVDJN1?_encoding=UTF8&th=1 (Year: 2019).*

Roborock S5, announced in YouTube on Feb. 11, 2018 [online], [site visited Nov. 30, 2020], Available from the internet URL: <https://www.youtube.com/watch?v=diEdUnj61NQ> (Year: 2018).*

Dser 22T Robotic Vacuum Cleaner, date first available Jan. 1, 2020 [online], [site visited Mar. 25, 2022], Available from the internet URL: https://www.amazon.com/dp/B083DJFPJL/ref=cm_sw_r_em_apa_i_lolFb9KAK6V1?th=1 (Year: 2020).*

Eufy by Anker, BoostIQ RoboVac 30C, available in Amazon.com, date first available Apr. 4, 2018 [online], [site visited Mar. 25, 2022], Available from the internet URL: https://www.amazon.com/dp/B07D75MVX9/ref=sbl_dp_x_floor-robotic-vacuums_B07RY88BWM_0 (Year: 2018).*

Tired of sweeping your house this lockdown? Geta robot, available in <https://economictimes.indiatimes.com>, announced Aug. 6, 2020 [online], [site visited Mar. 25, 2022], Available from the Internet URL: <https://economictimes.indiatimes.com/small-biz/startups/features/tired-of-sweeping-your-house-this-lockdown-get-a-robot-a-new-way-to-clean-the-floors/slideshow/77365809.cms> (Year: 2020).*

Uoni V980Plus Robot Vacuum Cleaner, available in <https://www.ubuy.dk>, customer review oldest date Jun. 13, 2021 [online], [site visited Mar. 25, 2022], Available from the internet URL: <https://www.ubuy.dk/en/product/1AEN68616-uoni-v980plus-robot-vacuum-cleaner-with-self-emptying-dustbin-lidar-navigation-robotic-vacuums-multi-floor-mapping-2700pa-strong-suction-with-no-go> (Year: 2021).*

5 robot vacuums on sale that will change the way you clean your home, available in <https://nypost.com>, announced Apr. 9, 2021 [online], [site visited Mar. 25, 2022], Internet URL: <https://nypost.com/2021/04/09/5-robot-vacuums-that-will-change-the-way-you-clean-your-home/> (Year: 2021).*

InstaRobo Robot Vacuum and Mop, available in Amazon.com, date first available Nov. 29, 2021 [online], [site visited Mar. 25, 2022], Available from the internet URL: https://www.amazon.com/dp/B09MCWGHVD/ref=sspa_dk_detail_8 (Year: 2021).*

Kyvol Cybovac L20 Robot Vacuum Cleaner, available in <https://www.walmart.com>, customer review oldest date Nov. 12, 2020 [online], [site visited Jul. 21, 2022], Available from the internet URL: <https://www.walmart.com/ip/Kyvol-Cybovac-L20-Robot-Vacuum-Cleaner/982928081> (Year: 2020).*

Kyvol Cybovac L20, announced in YouTube on Feb. 23, 2022 [online], [site visited Jul. 21, 2022], Available from the internet URL: <https://www.youtube.com/watch?v=WkKMagA1CPM> (Year: 2022).*

* cited by examiner



FIG. 1

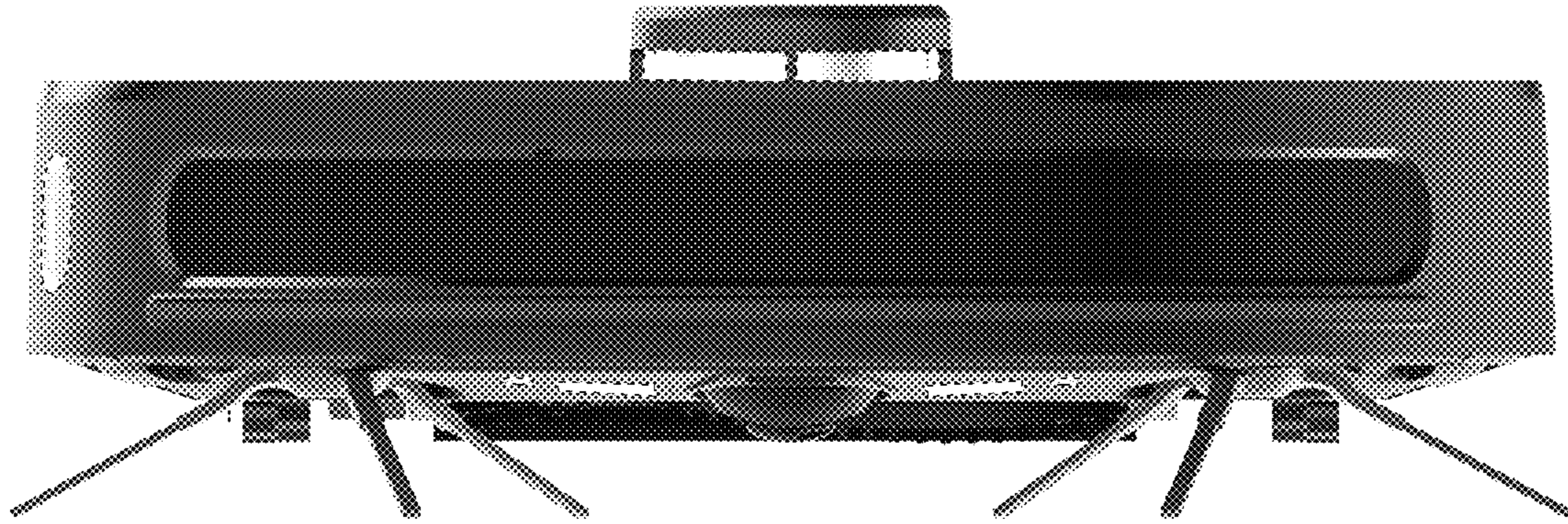


FIG. 2

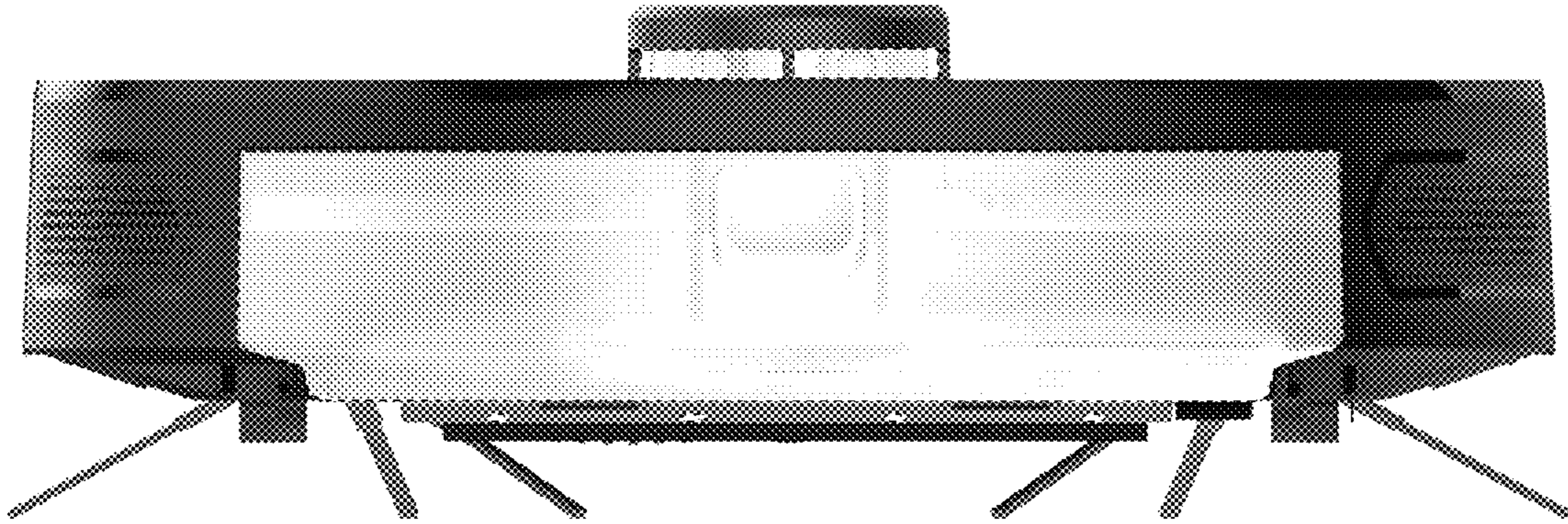


FIG. 3

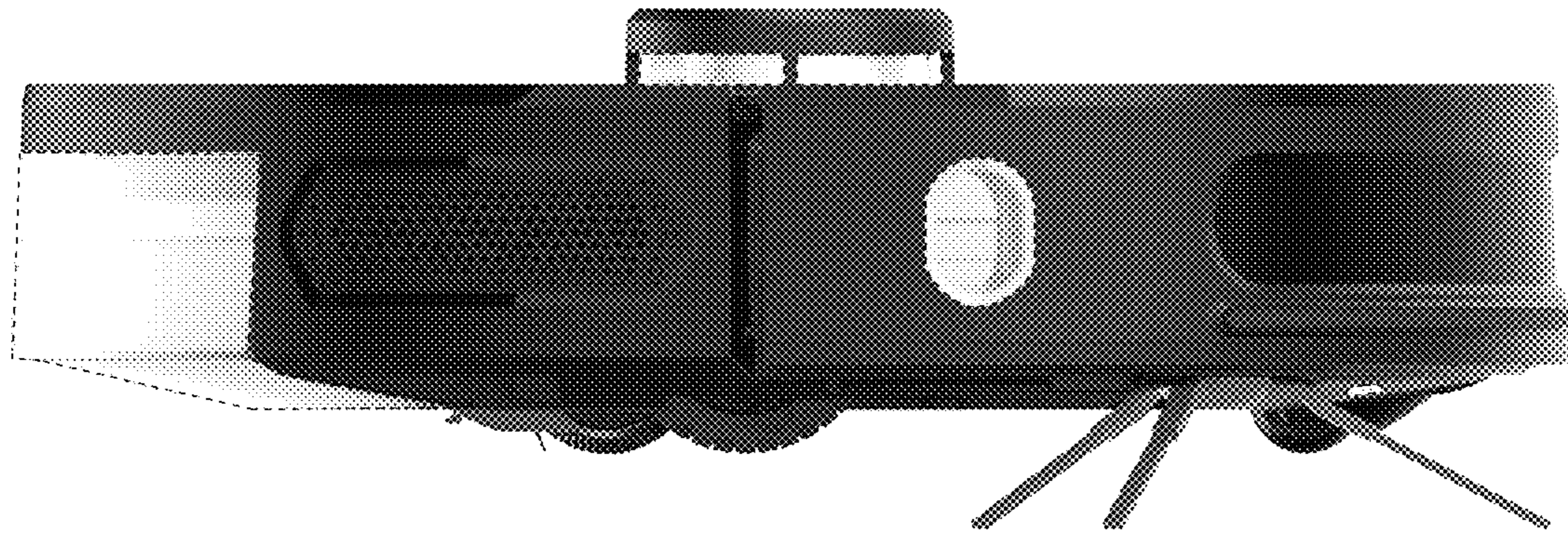


FIG. 4

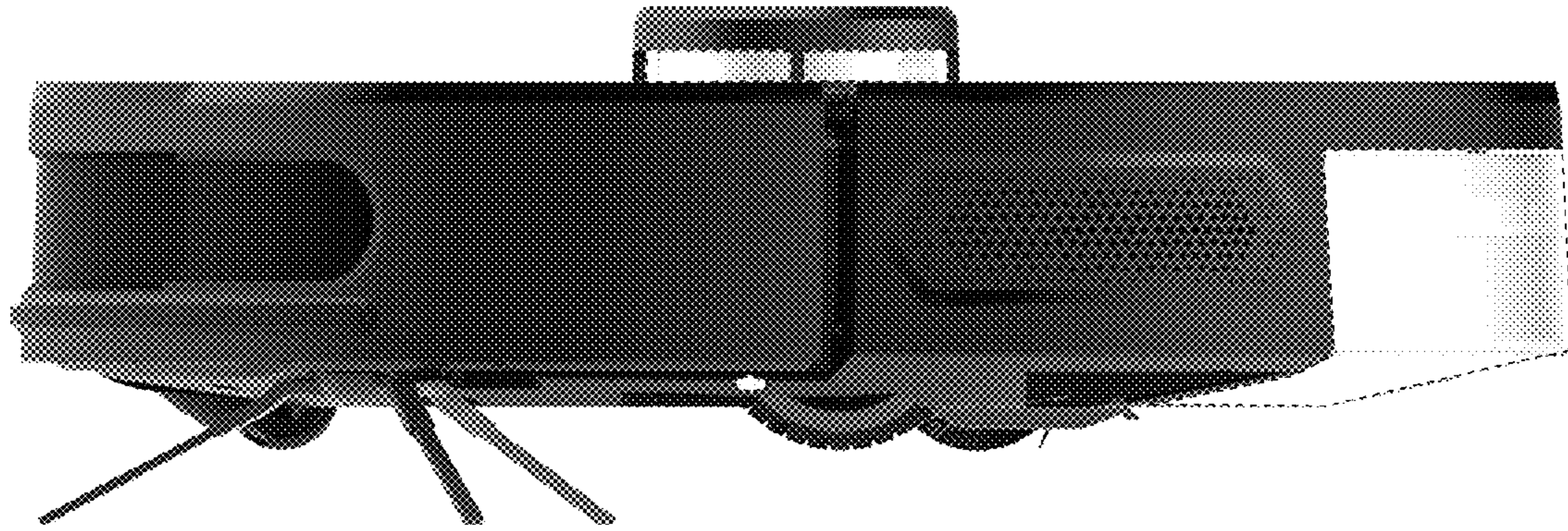


FIG. 5



FIG. 6

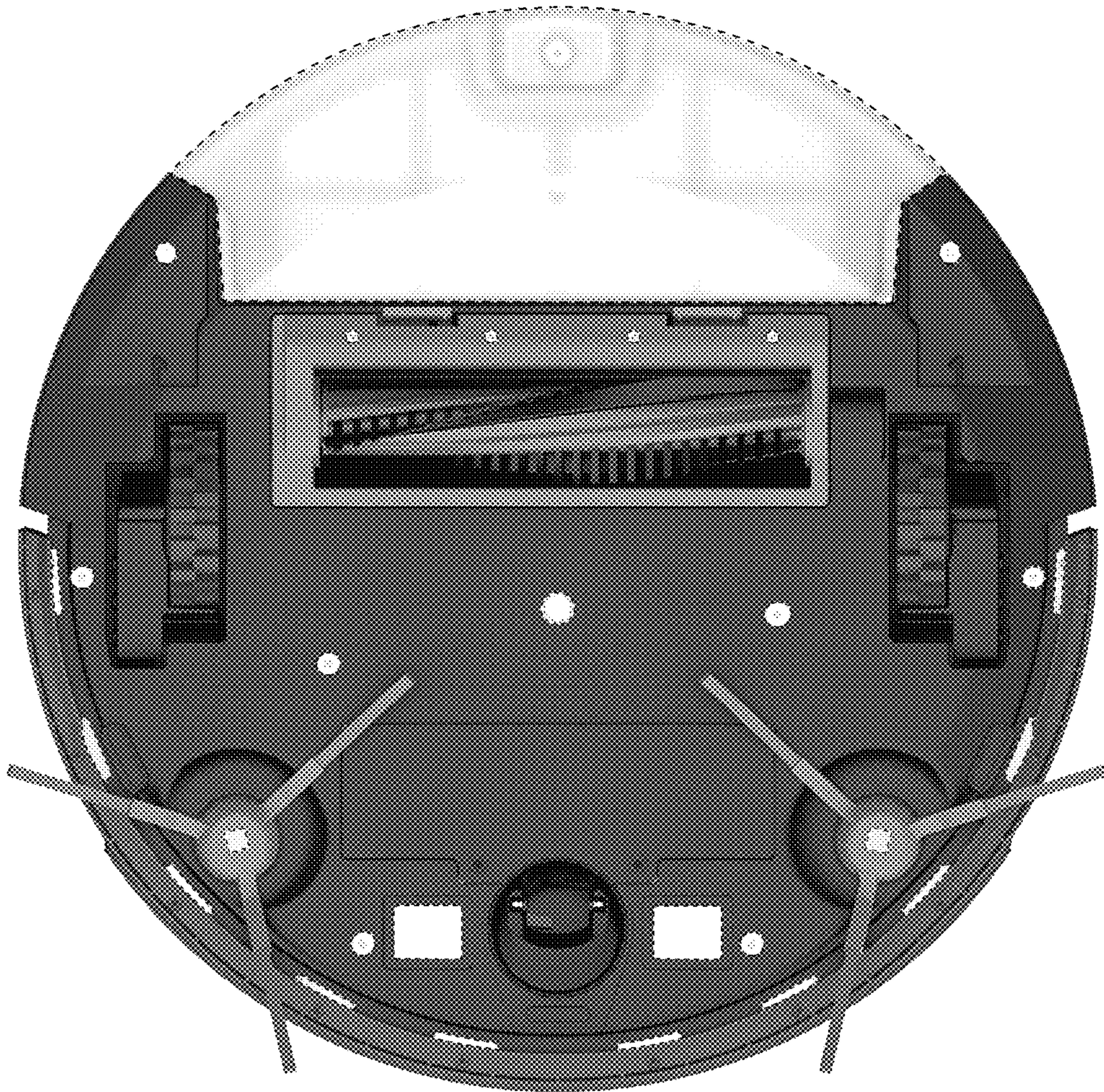


FIG. 7