



US00D978456S

(12) **United States Design Patent**  
**Carrington**

(10) **Patent No.:** **US D978,456 S**  
(45) **Date of Patent:** **\*\* Feb. 14, 2023**

- (54) **DOG TRAINING DUMMY**
- (71) Applicant: **Avery Outdoors LLC**, Springdale, AR (US)
- (72) Inventor: **William David Carrington**, Ellendale, TN (US)
- (73) Assignee: **Avery Outdoors LLC**, Springdale, AR (US)

- D544,155 S \* 6/2007 Lamstein ..... D30/158
- D584,864 S 1/2009 Matthews
- D600,414 S 9/2009 Matthews
- 8,875,662 B2 \* 11/2014 Angle ..... A01K 15/025  
119/707
- D760,451 S \* 6/2016 Harvey ..... D30/160
- D815,780 S \* 4/2018 Pater ..... D30/160
- D816,280 S \* 4/2018 Baker ..... D30/160
- D856,612 S \* 8/2019 SteinKraus ..... D30/160
- D870,985 S \* 12/2019 Falwell ..... D30/160

(Continued)

- (\*\*) Term: **15 Years**
- (21) Appl. No.: **29/814,124**
- (22) Filed: **Nov. 3, 2021**

**OTHER PUBLICATIONS**

“Avery PerfectHold Bumper” available Jul. 2, 2020, [online], [site visited Aug. 22, 2021]. Retrieved from Internet, URL:https://www.amazon.com/Avery-2743-PerfectHold-Bumper-Orange/dp/B08C7ZSGJK/ref=pd\_sbs\_11/138-7926744-6800634 (Year: 2020).\*

(Continued)

**Related U.S. Application Data**

- (62) Division of application No. 29/739,032, filed on Jun. 22, 2020, now Pat. No. Des. 938,666.
- (51) **LOC (14) Cl.** ..... **30-99**
- (52) **U.S. Cl.**  
USPC ..... **D30/160**
- (58) **Field of Classification Search**  
USPC ..... D30/158, 160, 199; 119/702, 703, 704,  
119/705, 706, 707, 708; D10/107;  
D21/803  
CPC ... A01K 15/027; A01K 15/024; A01K 15/025  
See application file for complete search history.

*Primary Examiner* — Katrina N Gonzalez  
(74) *Attorney, Agent, or Firm* — Wright Lindsey Jennings, LLP; Meredith Lowry

(57) **CLAIM**

The ornamental design for a dog training dummy, as shown and described.

**DESCRIPTION**

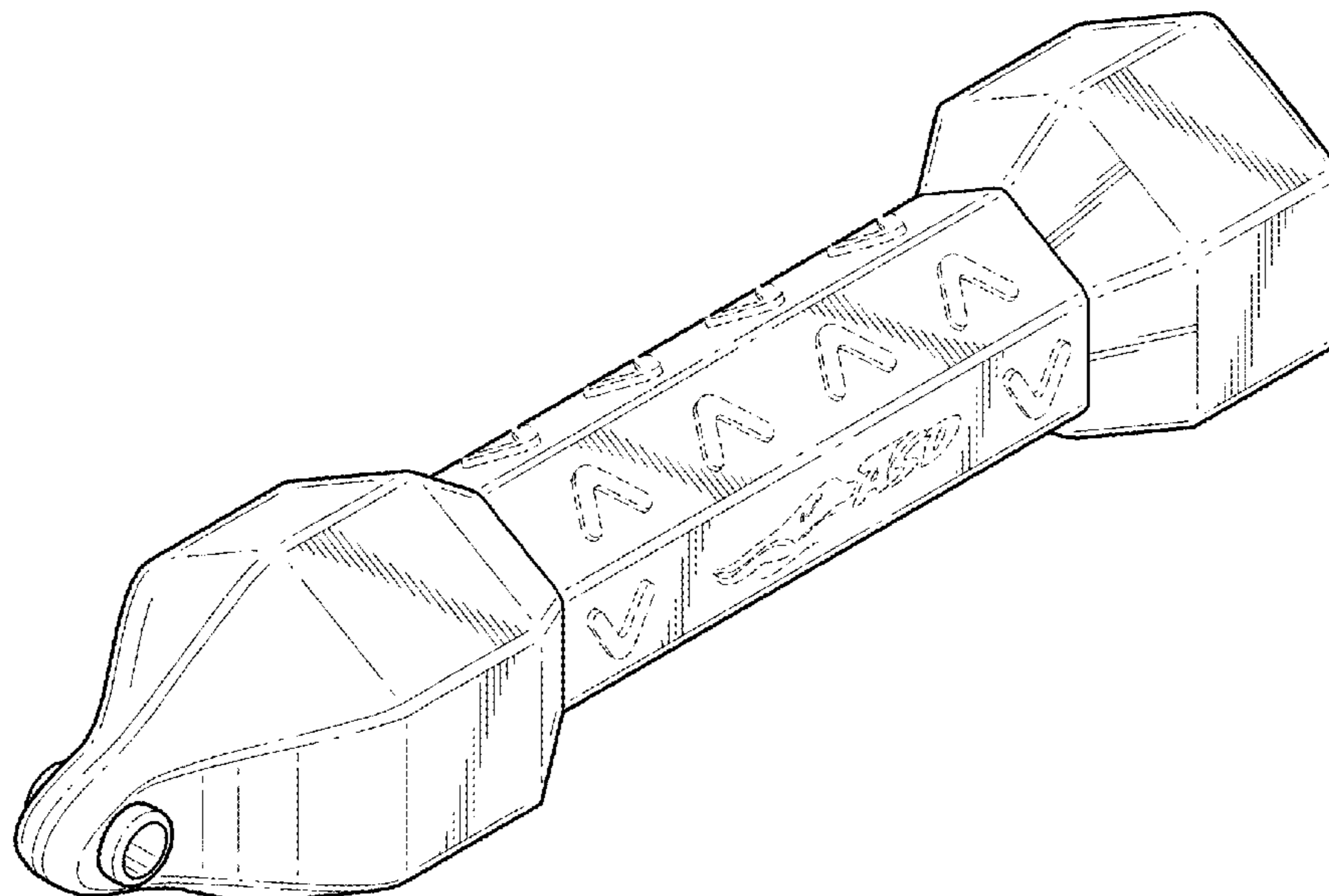
FIG. 1 is a front perspective view of a dog training dummy; FIG. 2 is a rear perspective view thereof; FIG. 3 is a right side view thereof, the left side being a mirror image thereof; FIG. 4 is a top view thereof, the bottom view being a mirror image thereof; FIG. 5 is a front elevation view thereof; and, FIG. 6 is a rear elevation view thereof. The broken lines in the drawings illustrate environment structure that forms no part of the claimed design.

(56) **References Cited**

**U.S. PATENT DOCUMENTS**

- D246,095 S \* 10/1977 Eby ..... D10/107
- D331,517 S \* 12/1992 Warner ..... D6/580
- D344,161 S \* 2/1994 Markham ..... D30/160
- D485,399 S \* 1/2004 Nazimek ..... D6/601
- D507,685 S \* 7/2005 Nazimek ..... 119/707
- D511,229 S \* 11/2005 Byrne ..... D30/160
- D517,752 S \* 3/2006 Byrne ..... A01K 15/026  
D30/160

**1 Claim, 3 Drawing Sheets**



(56)

**References Cited**

U.S. PATENT DOCUMENTS

D873,509 S \* 1/2020 Steinkraus ..... D30/160  
D901,318 S \* 11/2020 Perkins ..... D10/107  
D908,985 S \* 1/2021 Yeung ..... D30/160  
D922,004 S \* 6/2021 Wang ..... D30/160  
D938,666 S 12/2021 Carrington  
2008/0319357 A1 \* 12/2008 Hey ..... A61H 39/04  
601/119

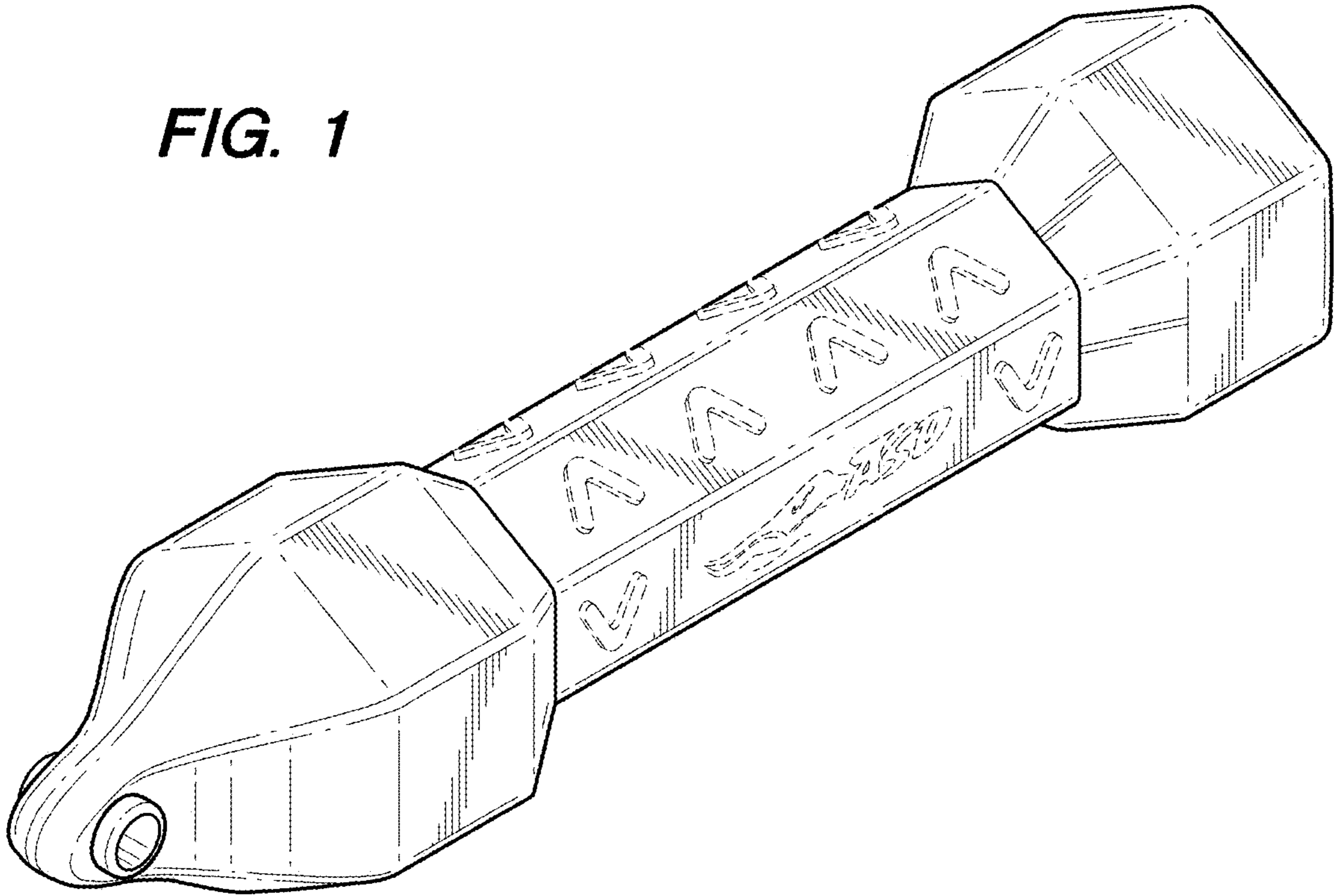
OTHER PUBLICATIONS

“6-Pack HexaBumper2” Flasher” available Sep. 22, 2021, [online], [site visited Aug. 22, 2021]. Retrieved from Internet, URL:<https://web.archive.org/web/2021092214047/https://www.orvis.com/6-pack-hexabumper-2-flasher/2YPG1006.html> (Year: 2021).\*

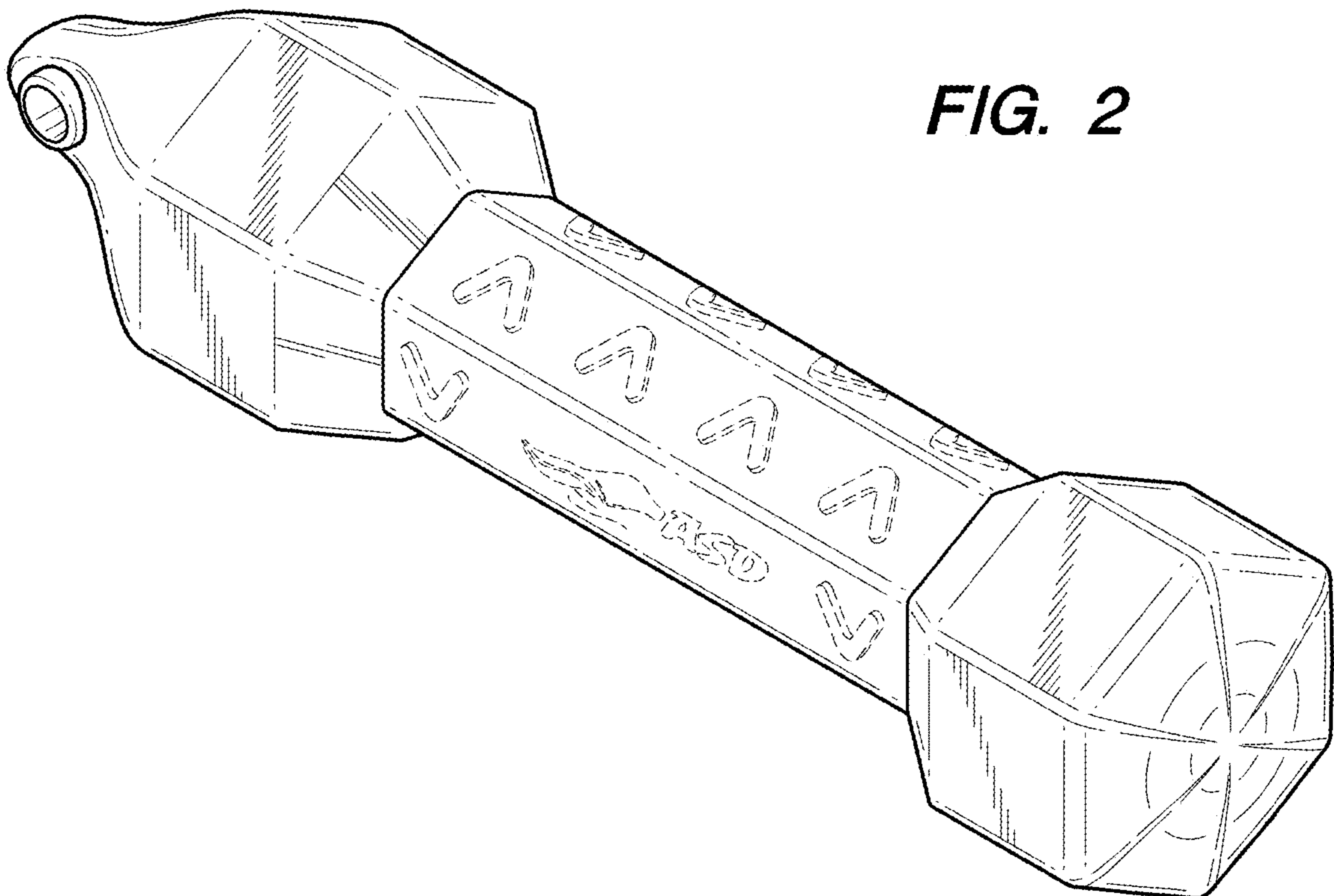
“Soft Mouth Training Dummy—LG—Swamp Dog” available Sep. 22, 2022, [online], [site visited Sep. 22, 2022]. Retrieved from Internet, URL: <https://www.swampdog.com/products/soft-mouth-training-dummy-lg> (Year: 2022).\*

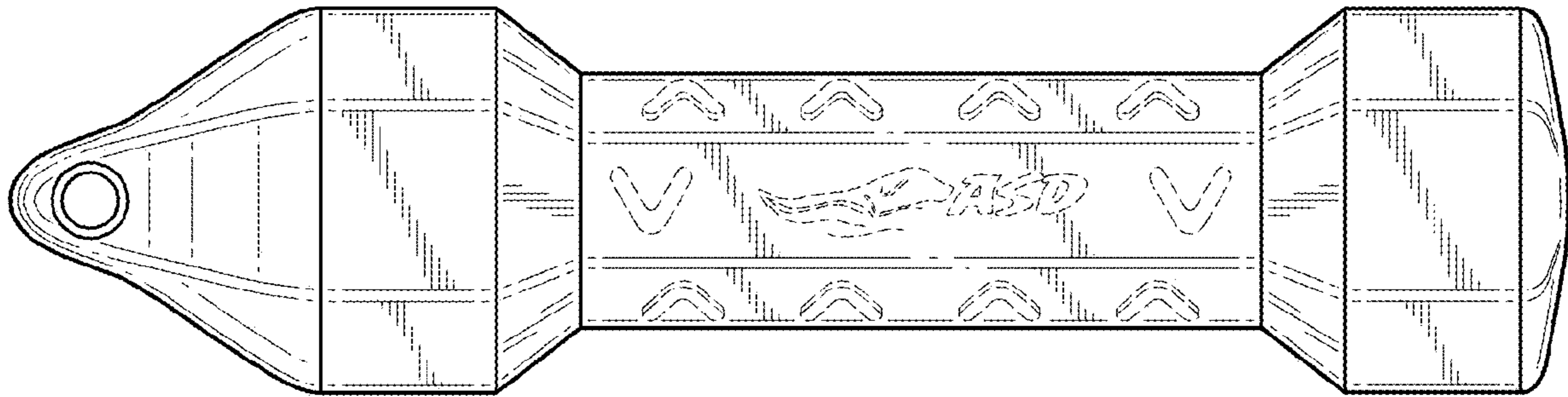
\* cited by examiner

**FIG. 1**

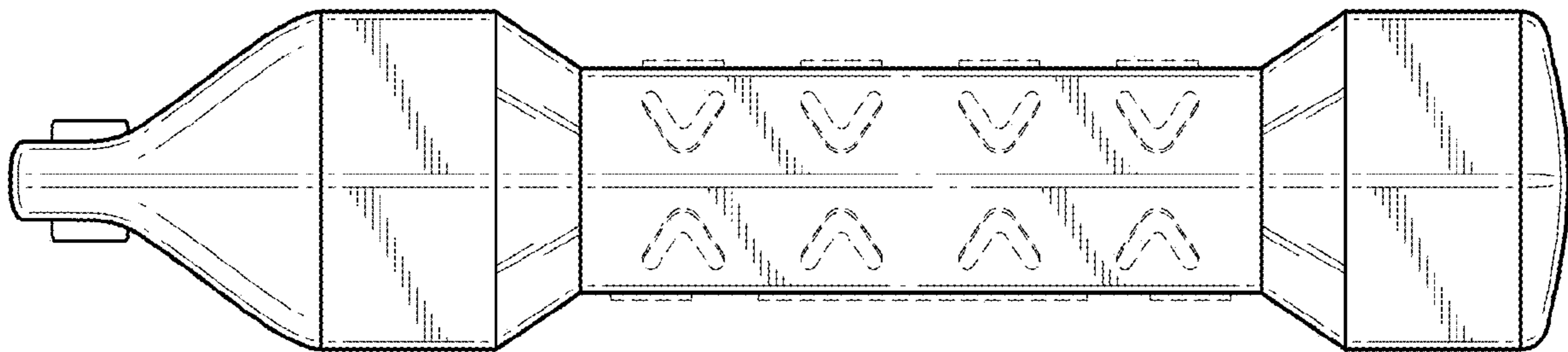


**FIG. 2**

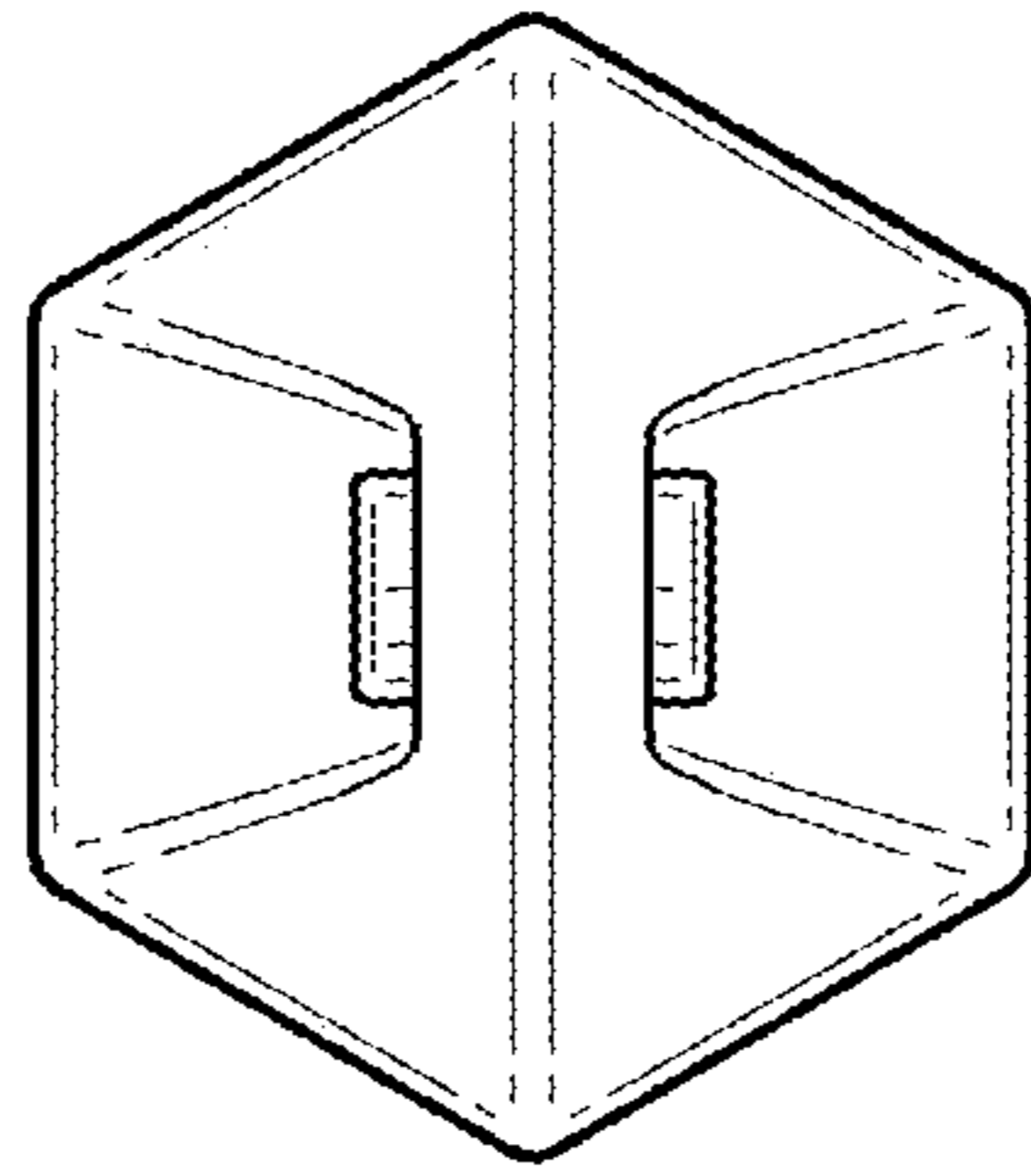




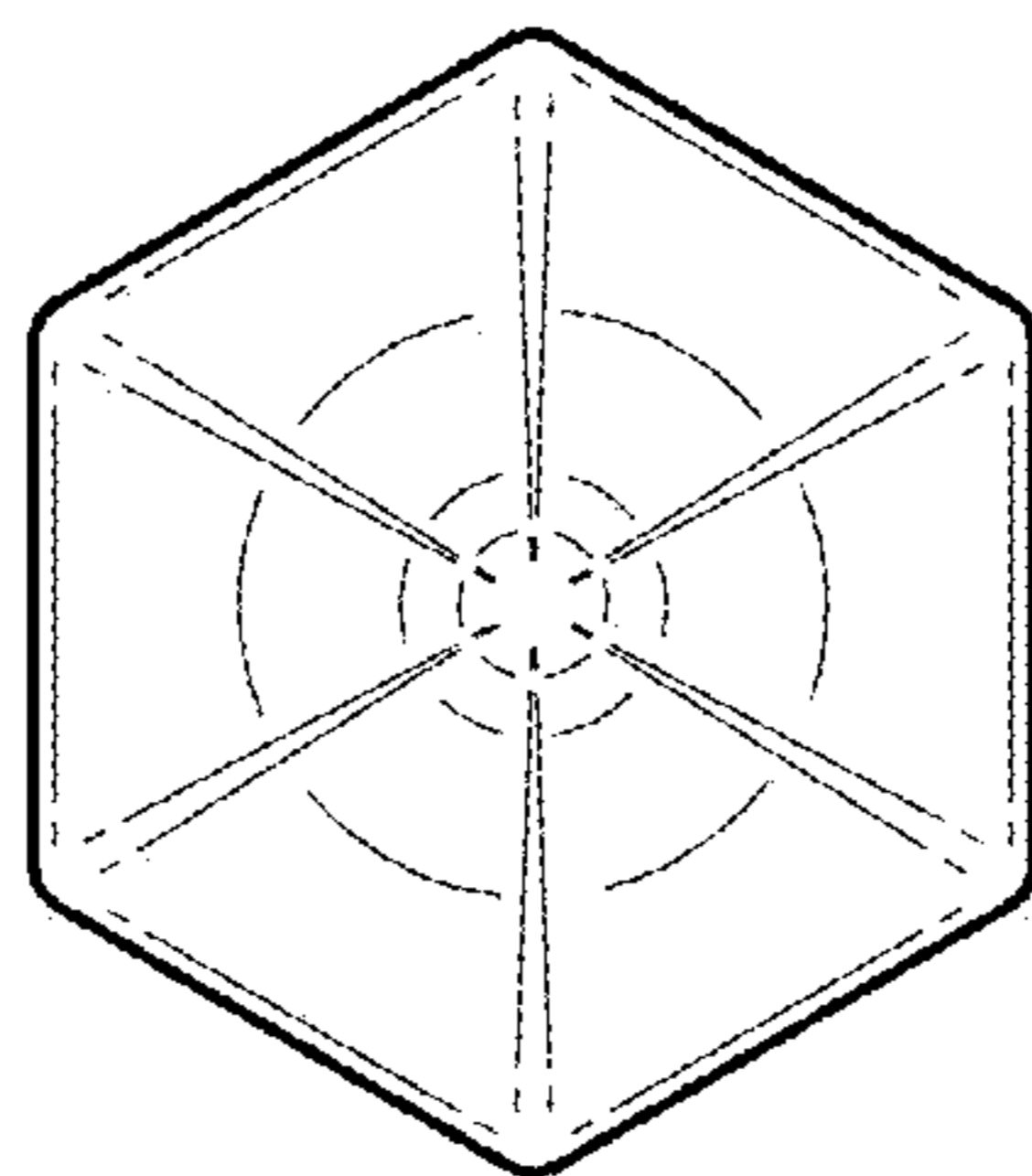
**FIG. 3**



**FIG. 4**



**FIG. 5**



**FIG. 6**