



US00D978454S

(12) **United States Design Patent** (10) **Patent No.:** **US D978,454 S**  
**Williams et al.** (45) **Date of Patent:** **\*\* Feb. 14, 2023**

(54) **SPUR FOR BULL RIDING**

FOREIGN PATENT DOCUMENTS

(71) Applicant: **Bullrider Spur Company LLC**,  
Brighton, CO (US)

EP 2364608 A1 9/2011

(72) Inventors: **Terry W. Williams**, Brighton, CO  
(US); **Billy G. Martin**, Brighton, CO  
(US)

OTHER PUBLICATIONS

“TK Rodeo Specialties: Stainless Steel Spurs, Offset”. Found online  
May 29, 2020 at tkrodeo.com. Reference dated Jun. 14, 2014.  
Retrieved from [https://tineye.com/search/  
fd4cedf71244a29786fc251775f5c15f31e6e78e?page=1&sort=crawl\\_  
date&order=asc&extension\\_ver=chrome-1.3.0.\\*](https://tineye.com/search/fd4cedf71244a29786fc251775f5c15f31e6e78e?page=1&sort=crawl_date&order=asc&extension_ver=chrome-1.3.0.*)

(73) Assignee: **BULLRIDER SPUR COMPANY  
LLC**

(Continued)

(\*\*) Term: **15 Years**

*Primary Examiner* — Kendra Leslie Hamilton

(21) Appl. No.: **29/777,283**

(74) *Attorney, Agent, or Firm* — Aileen Law; Oppedahl  
Patent Law Firm LLC

(22) Filed: **Apr. 5, 2021**

(57) **CLAIM**

(51) **LOC (14) Cl.** ..... **30-05**

The ornamental design for a spur for bull riding, as shown  
and described.

(52) **U.S. Cl.**

USPC ..... **D30/157**

**DESCRIPTION**

(58) **Field of Classification Search**

USPC ..... D30/157; D2/642, 946, 976

CPC ..... A43C 17/02; A43C 17/04; A43C 17/06

See application file for complete search history.

FIG. 1 is a top, front, left, perspective view of a spur for bull  
riding, showing our new design;  
FIG. 2 is a top, front, right, perspective view thereof;  
FIG. 3 is a top, back, right, perspective view thereof;  
FIG. 4 is a top, back, left, perspective view thereof;  
FIG. 5 is a bottom, front, left perspective view thereof;  
FIG. 6 is a front elevation view thereof;  
FIG. 7 is a back elevation view thereof;  
FIG. 8 is a left side elevation view thereof;  
FIG. 9 is a right side elevation view thereof;  
FIG. 10 is a top plan view thereof; and,  
FIG. 11 is a bottom view thereof.

(56) **References Cited**

U.S. PATENT DOCUMENTS

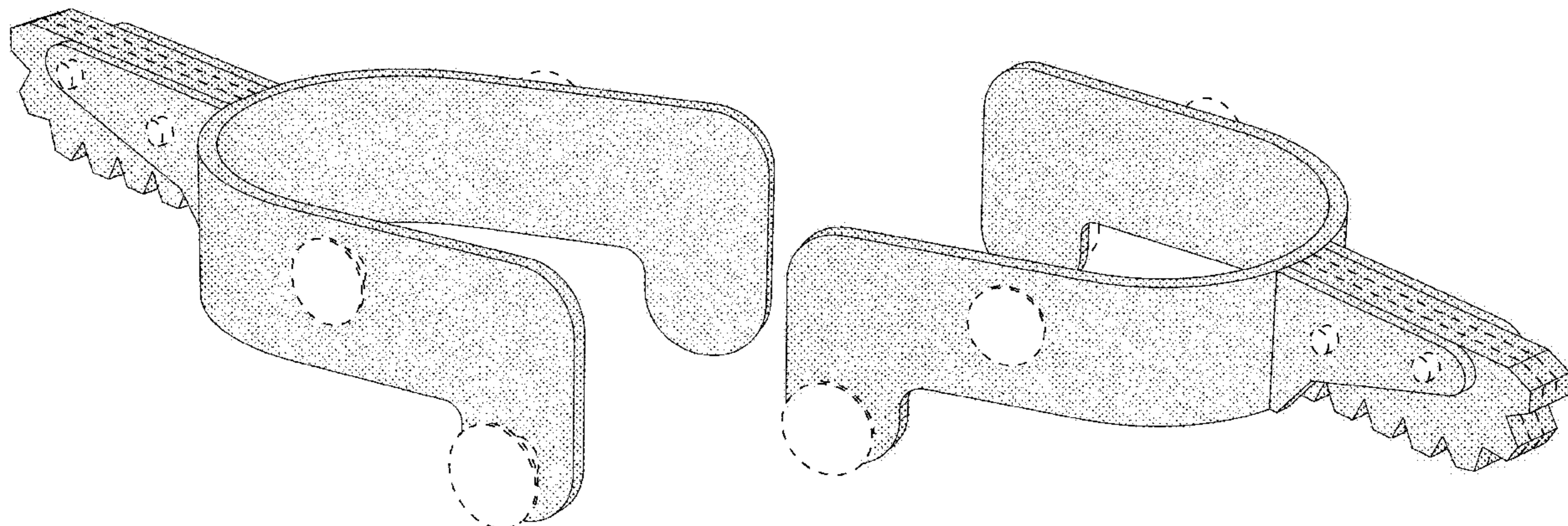
215,504 A 5/1879 Brown  
655,555 A 8/1900 Jackson  
D35,697 S 2/1902 Underwood  
D45,816 S 5/1914 Monier  
2,290,445 A 7/1942 Oleyar  
2,454,228 A \* 11/1948 Smith ..... A43C 17/02  
446/26  
2,468,918 A \* 5/1949 Bowers ..... A43C 17/00  
36/8.3  
2,479,741 A 8/1949 Grimland  
2,907,161 A \* 10/1959 Chandler ..... A43C 17/02  
54/83.1  
D190,818 S 7/1961 Norton  
3,153,888 A 10/1964 Garrett

The claim also includes a second embodiment of the spur for  
bull riding that is a mirror image of FIGS. 1-11.

In the drawings, the broken lines on the spur for bull riding  
depict unclaimed elements on the rowel that form no part of  
the claimed design. The broken lines showing spur hardware  
depict environmental subject matter and form no part of the  
claimed design.

(Continued)

**1 Claim, 11 Drawing Sheets**



(56)

References Cited

U.S. PATENT DOCUMENTS

3,157,013 A \* 11/1964 Hayward ..... A43C 17/02  
54/49.5  
D209,063 S 10/1967 Natzgar  
3,953,958 A \* 5/1976 Beaston ..... A43C 17/02  
54/83.2  
4,642,910 A \* 2/1987 Carter, Jr. .... A43C 17/04  
359/518  
D289,809 S 5/1987 Pela  
D383,257 S \* 9/1997 Clark ..... D30/157  
5,913,800 A 6/1999 Williams  
D437,980 S 2/2001 Anderson  
6,192,663 B1 2/2001 Gaitlin  
6,339,915 B1 1/2002 Bradbury  
D527,496 S 8/2006 Peart  
D613,911 S 4/2010 Hauck-Hasmatali  
D629,600 S 12/2010 Mandalia  
D689,268 S \* 9/2013 Dawson ..... D2/918  
D718,920 S \* 12/2014 Jones ..... D2/946  
D915,691 S \* 4/2021 Williams ..... D30/157  
2002/0108357 A1 8/2002 Martin  
2006/0042201 A1 3/2006 Curry  
2007/0033911 A1 2/2007 Sprenger  
2008/0016828 A1 1/2008 Strauss  
2008/0083136 A1 \* 4/2008 McNeely ..... A41F 17/02  
2/300  
2009/0064641 A1 \* 3/2009 Wetherell ..... A43C 17/00  
54/83.1

2011/0225937 A1 9/2011 Chang  
2012/0266575 A1 \* 10/2012 Chang ..... A43C 17/02  
54/83.1  
2015/0335101 A1 11/2015 Monroy et al.

OTHER PUBLICATIONS

“Kelly: Bull Riding Spurs—Double Off-set 30 degree”. Found online May 29, 2020 at [wikimedia.org](http://wikimedia.org). Reference dated Apr. 24, 2007. Retrieved from [https://commons.wikimedia.org/wiki/File:Kelly\\_Bull\\_Riding\\_Spurs.jpg](https://commons.wikimedia.org/wiki/File:Kelly_Bull_Riding_Spurs.jpg).  
“LamiCell: Metalab Spur with Internal Rubber Grip”. Found online Dec. 14, 2021 at [facebook.com](http://facebook.com). Reference dated Jan. 28, 2021. Retrieved from <https://www.facebook.com/lamicell1998/photos/a.413145845491531/1905770572895710/?type=3>.  
“Intrepid International: Western Show Spur with Brass Rowel”. Found online Feb. 4, 2022 at [amazon.com](http://amazon.com). Reference dated Apr. 11, 2012. Retrieved from <https://www.amazon.com/Intrepid-International-Black-Western-Brass/dp/B003PBQ9GA/>.  
“GWG: Super Grip Gator Bull Spur”. Found online OS/29/2020 at [getwesterngear.com](http://getwesterngear.com). Reference dated Jul. 22, 2008. Retrieved from <https://tineye.com/search/fd6fd1a9159435c2f4bce0>.  
“Tanner Spurs: Custom Offset”. Found online OS/29/2020 at [facebook.com](http://facebook.com). Reference dated May 19, 2014. Retrieved from <https://www.facebook.com/562644177157315/photos/a.5645400669>.  
“BBar: Bull Riding Spur”. Found online OS/29/2020 at [bbarbwholesale.com](http://bbarbwholesale.com). Reference dated Sep. 4, 2010. Retrieved from [www.bbarbwholesale.com/bull-riding-spurs-degree-p-452.htm](http://www.bbarbwholesale.com/bull-riding-spurs-degree-p-452.htm).

\* cited by examiner



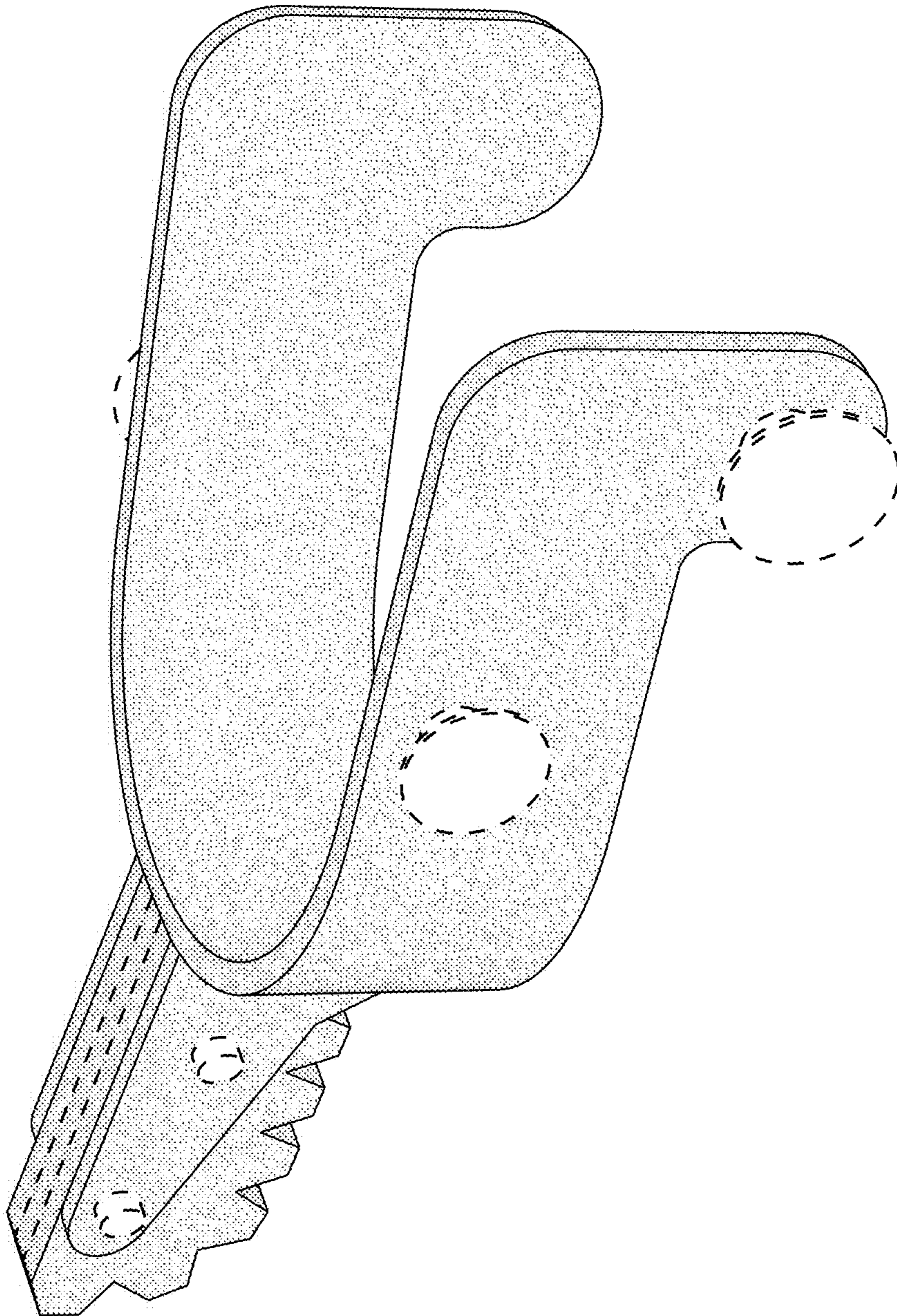


FIG.1

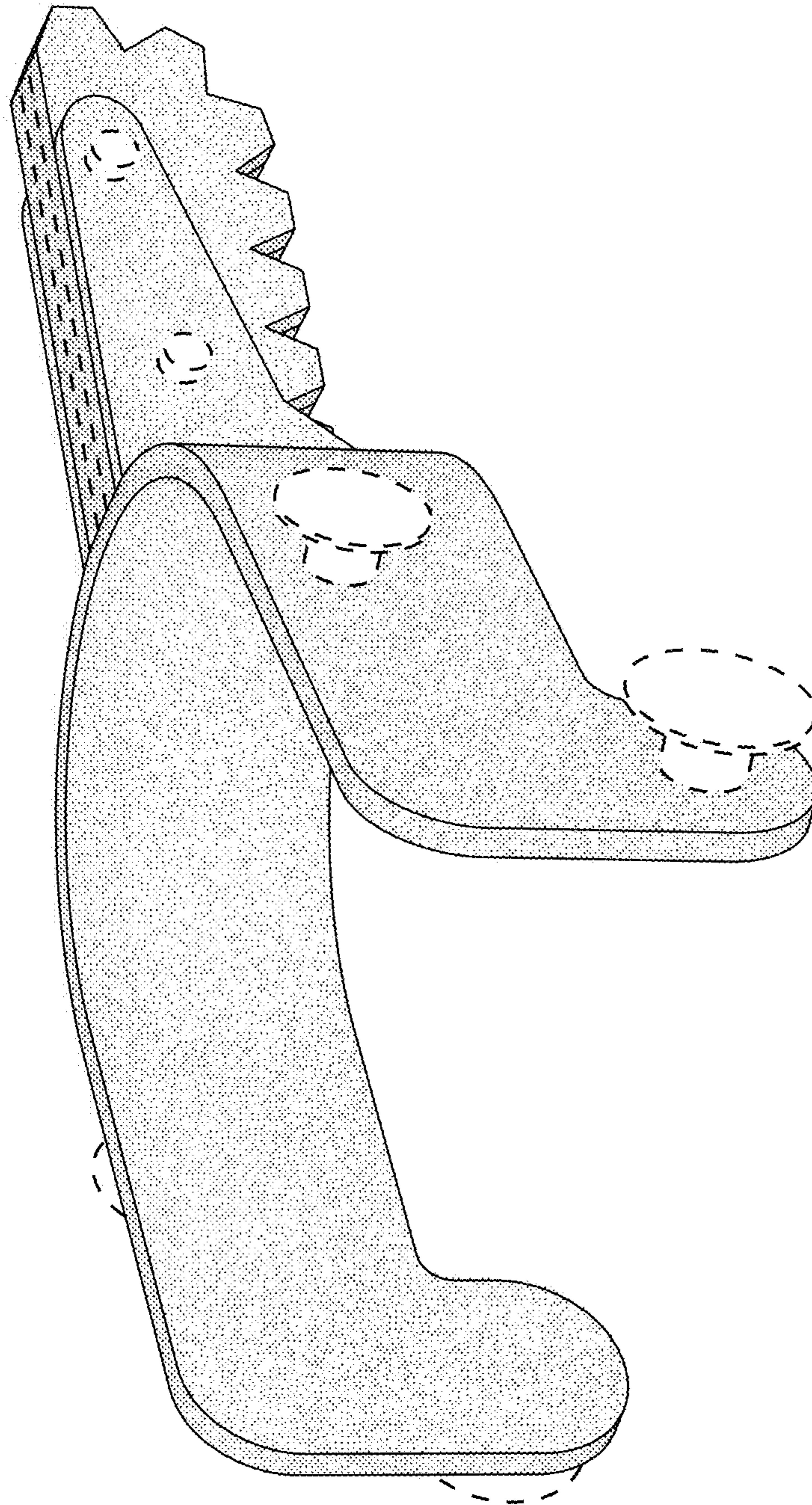


FIG.2



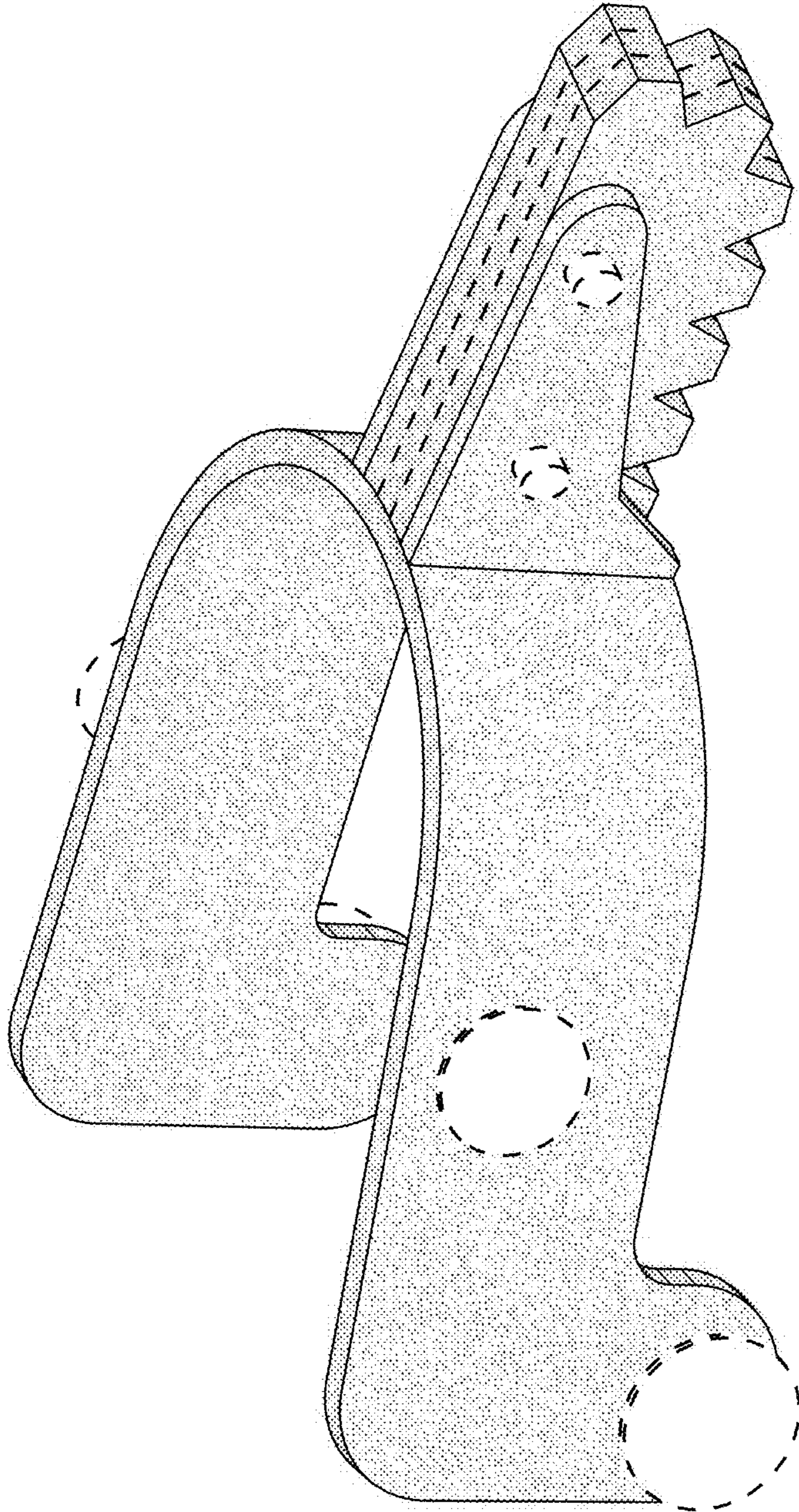


FIG.3

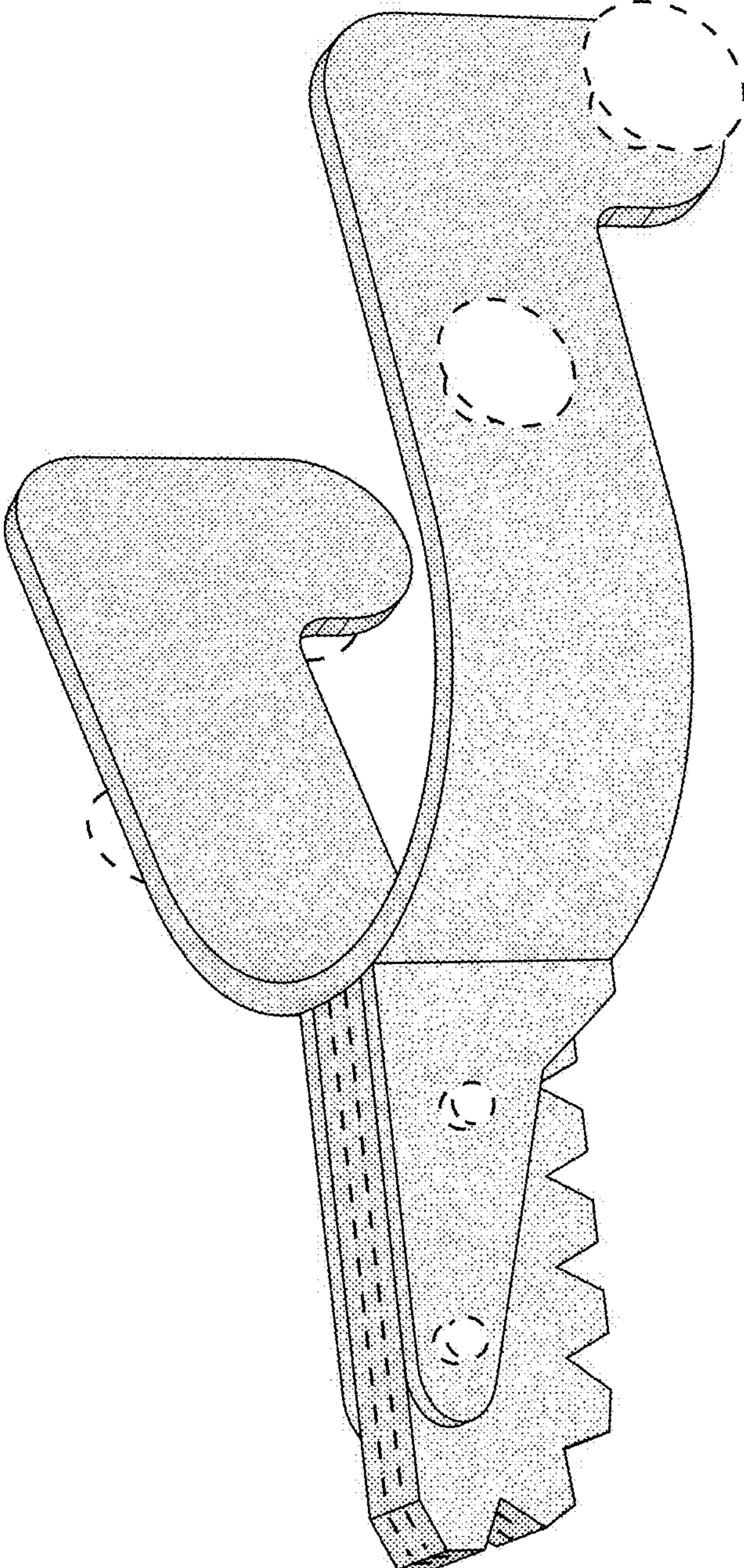


FIG.4



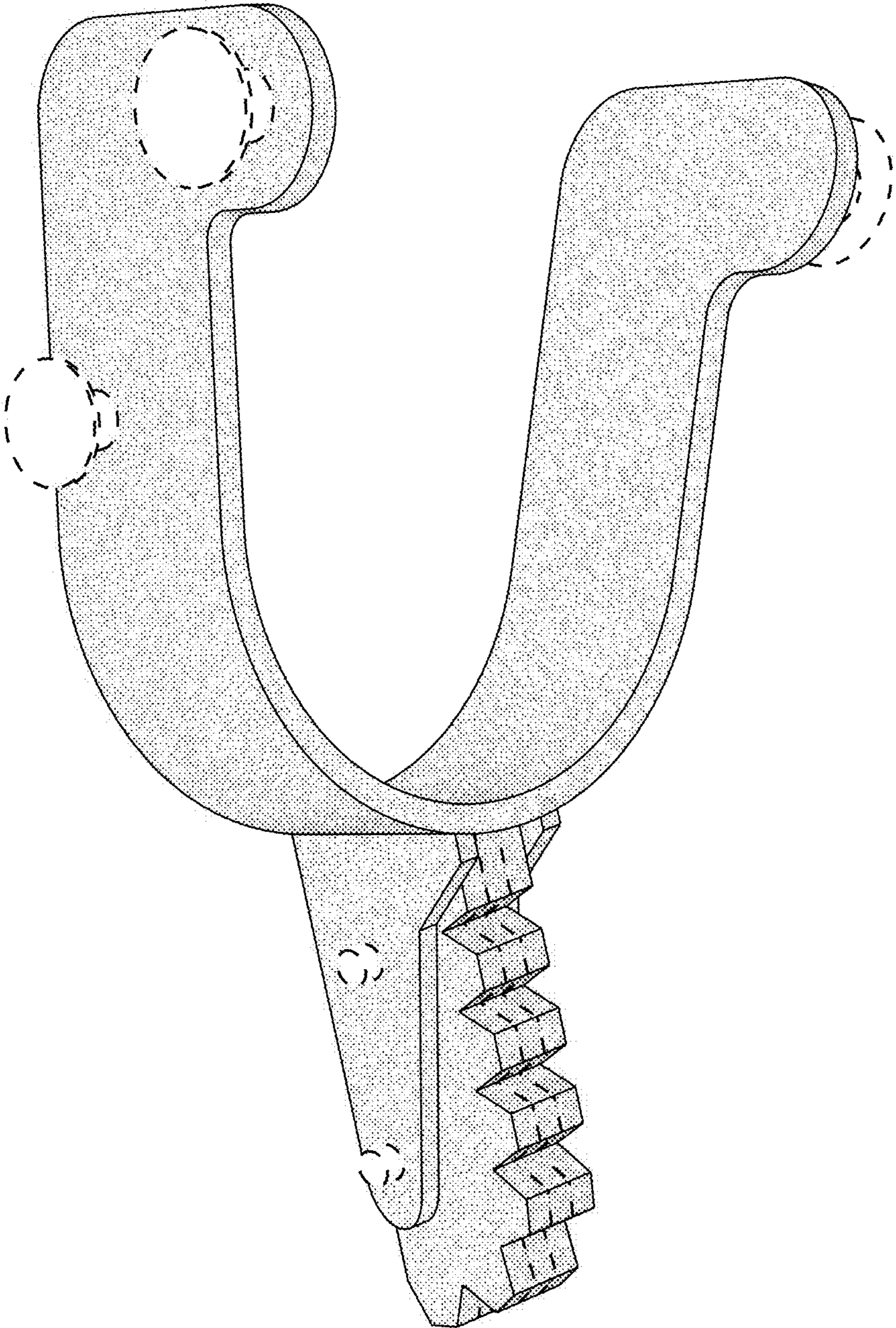


FIG.5

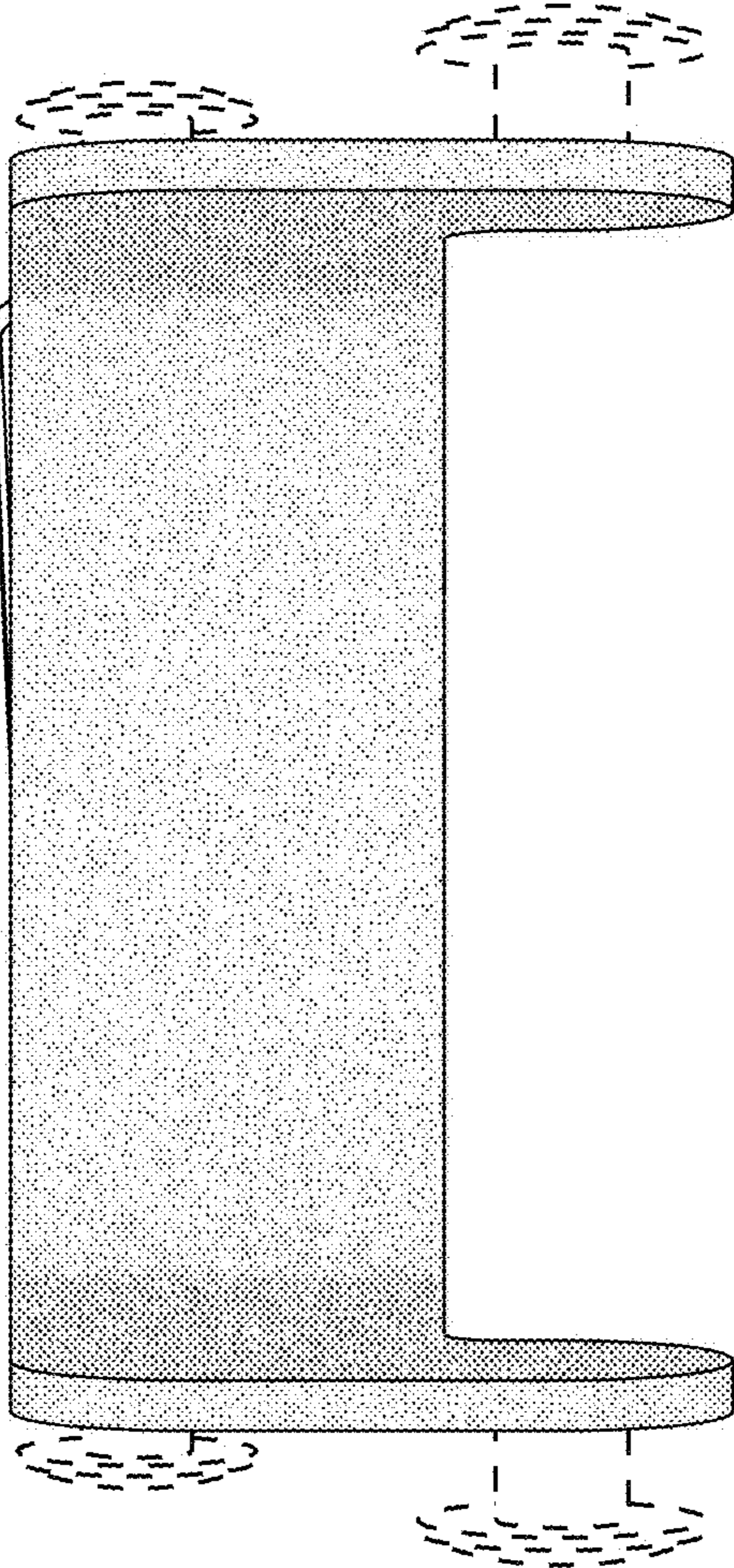


FIG.6



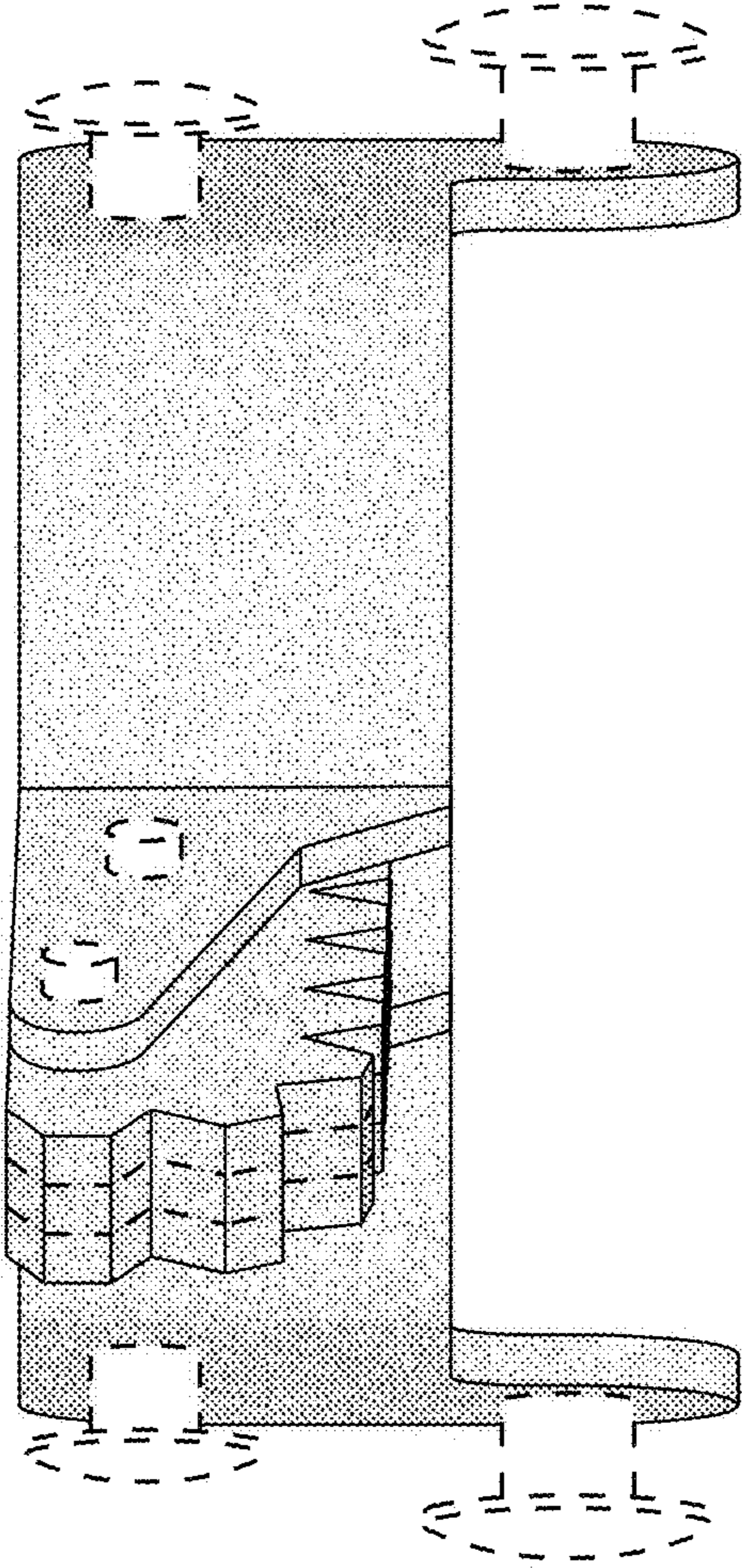


FIG.7

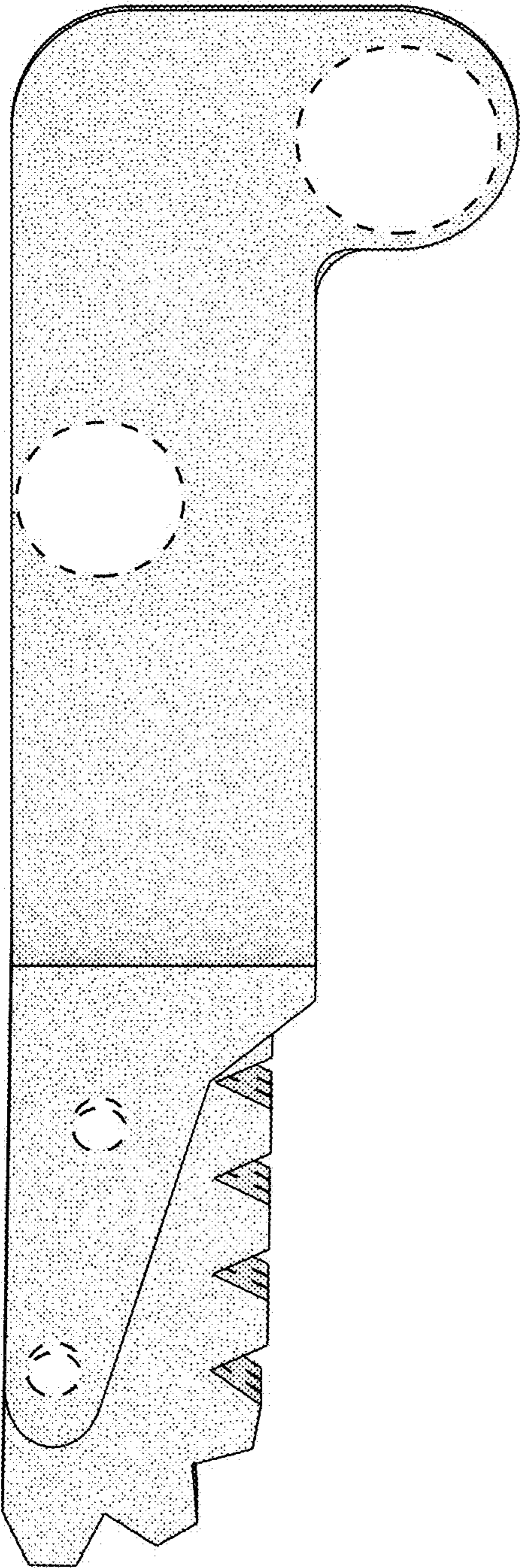


FIG.8



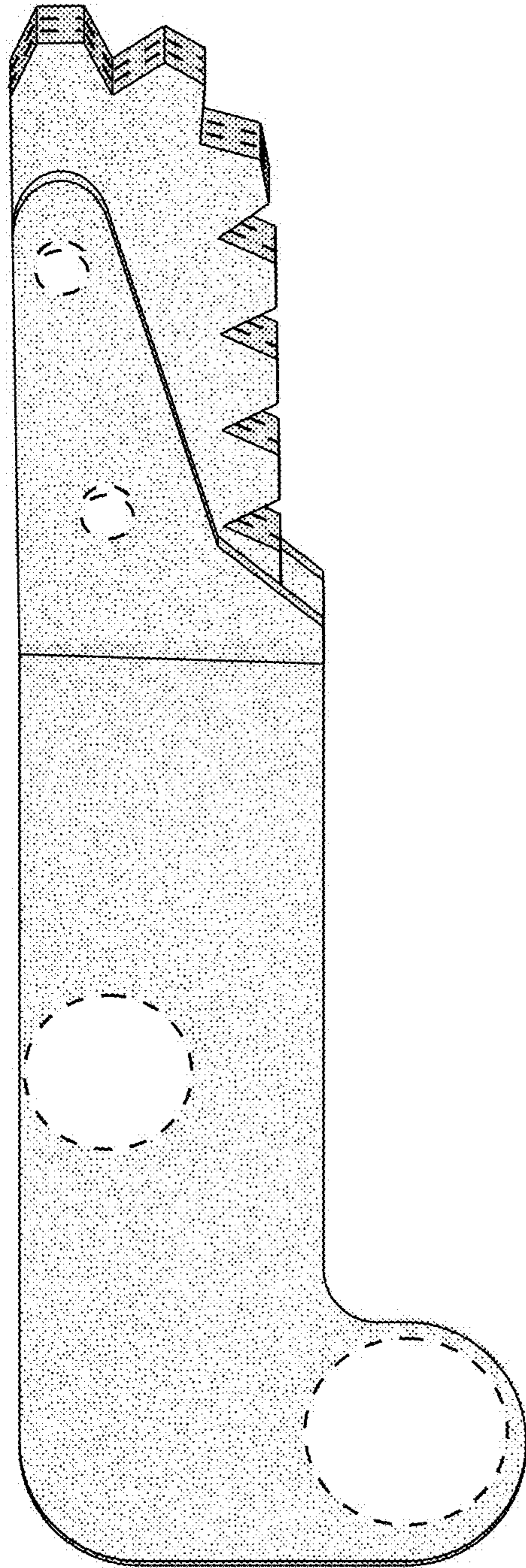


FIG.9

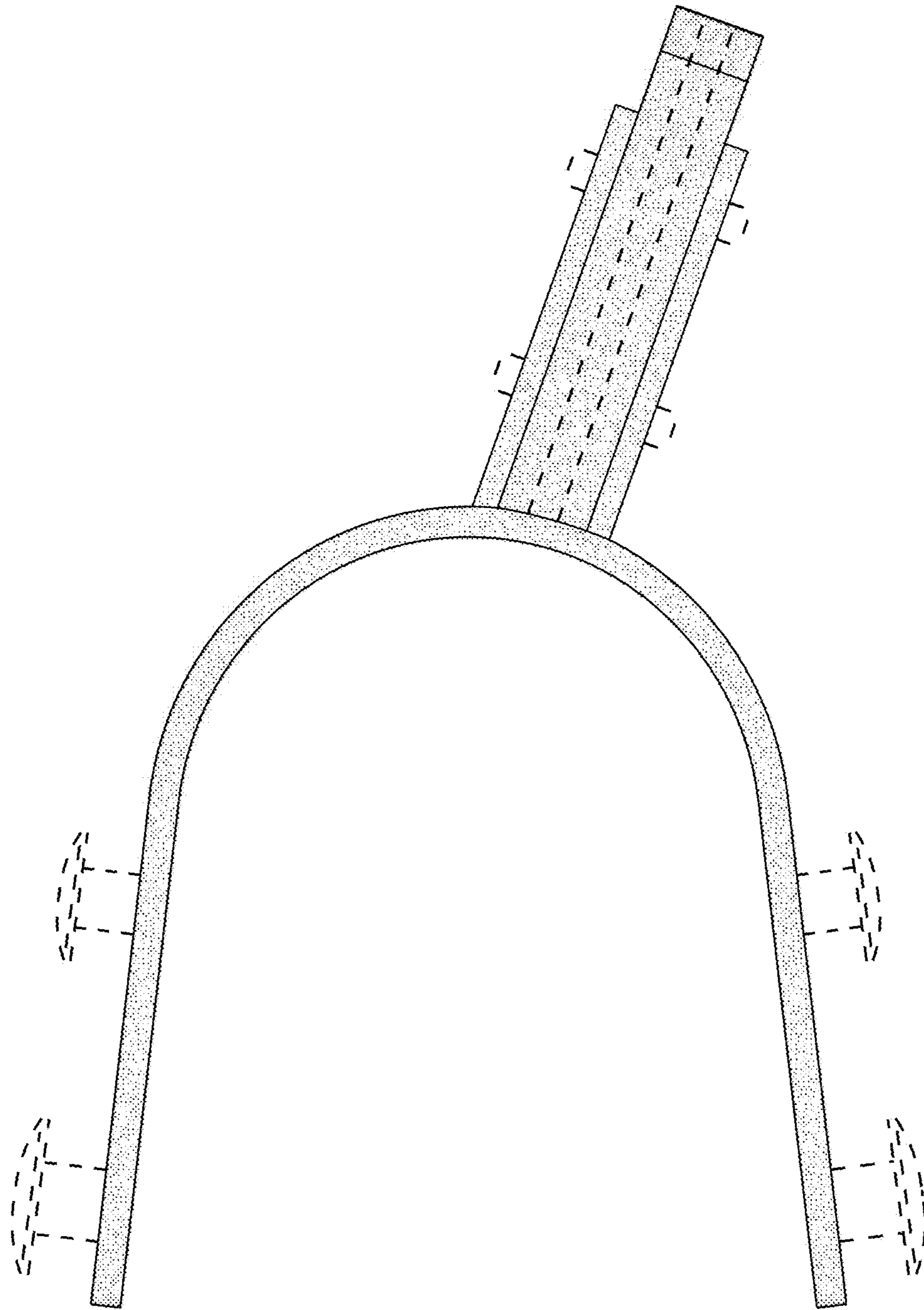


FIG.10



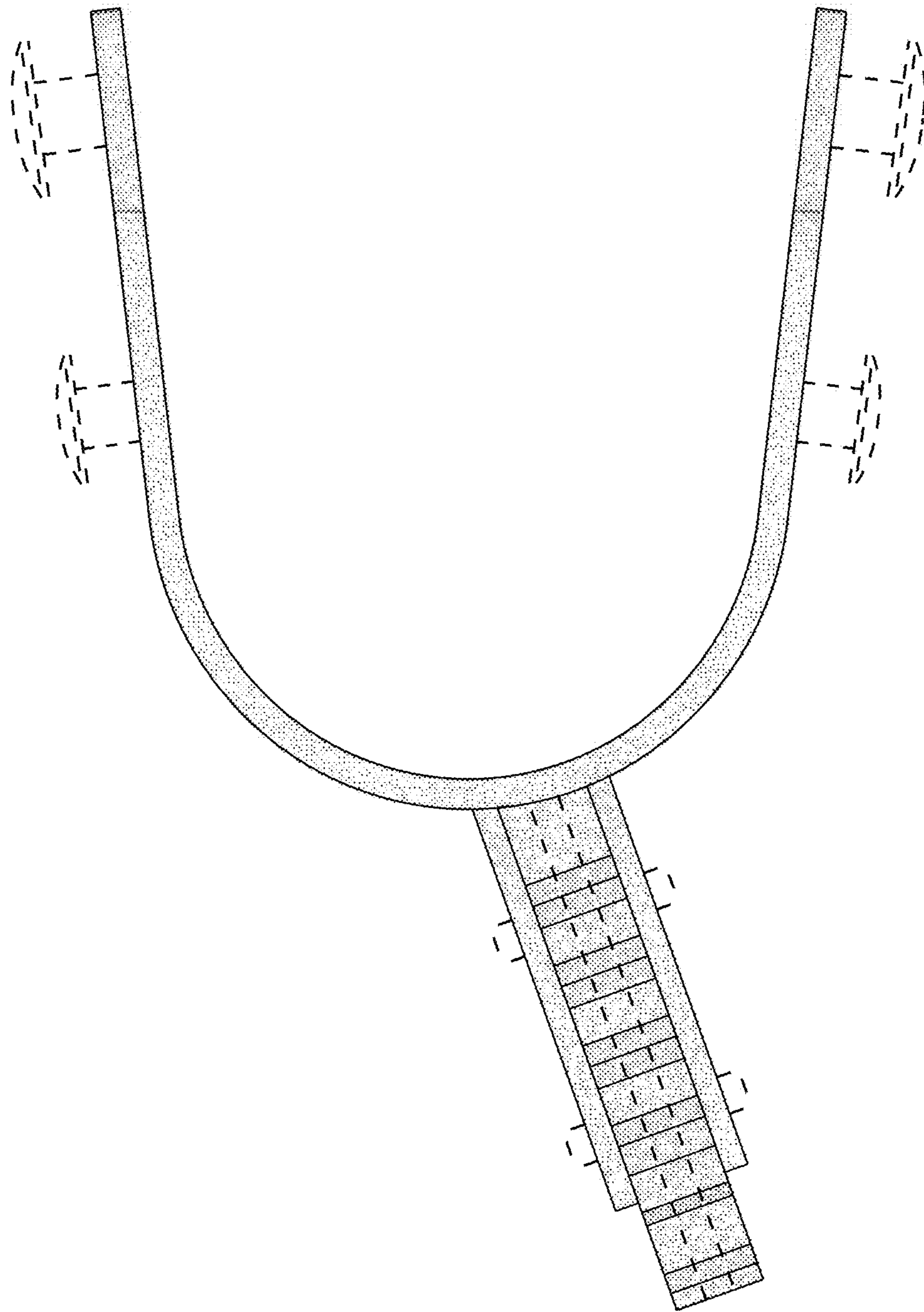


FIG.11