



US00D978453S

(12) **United States Design Patent**
Jiang

(10) **Patent No.:** **US D978,453 S**

(45) **Date of Patent:** **** Feb. 14, 2023**

(54) **DOUBLE RETRACTABLE DOG LEASH**

10,743,522 B2 * 8/2020 Smith B65H 75/4471
D916,398 S 4/2021 Elam
D925,841 S * 7/2021 Zhou D30/153

(71) Applicant: **Jiaxing Bepal Technology Co., Ltd.,**
Jiaxing (CN)

(Continued)

(72) Inventor: **Yan Jiang,** Jiaxing (CN)

FOREIGN PATENT DOCUMENTS

(73) Assignee: **Jiaxing Bepal Technology Co., Ltd.,**
Jiaxing (CN)

CN 304388846 * 12/2017
CN 306355345 * 2/2021
CN 306910561 * 10/2021
EM 001486435-0001 * 6/2022

(**) Term: **15 Years**

OTHER PUBLICATIONS

(21) Appl. No.: **29/786,007**

Expawlorer Chew Proof Retractable Dog Leash, available in Amazon.com, date first available Nov. 10, 2020 [online], [site visited Jul. 25, 2022], Available from the internet URL: <https://www.amazon.com/EXPAWLOORER-Chew-Proof-Retractable-Leash/dp/B08N4FRWS1> (Year: 2020).*

(22) Filed: **May 28, 2021**

(Continued)

(51) **LOC (14) Cl.** **30-04**

(52) **U.S. Cl.**
USPC **D30/153**

(58) **Field of Classification Search**
USPC D10/72; D30/145, 152, 153
CPC A01K 25/00; A01K 27/00; A01K 27/001;
A01K 27/002; A01K 27/003; A01K
27/004; A01K 27/005
See application file for complete search history.

Primary Examiner — Vy N Koenig
Assistant Examiner — Elizabeth Anne Glassberg
(74) *Attorney, Agent, or Firm* — Nitin Kaushik

(57) **CLAIM**

The ornamental design for a double retractable dog leash, as shown and described.

(56) **References Cited**

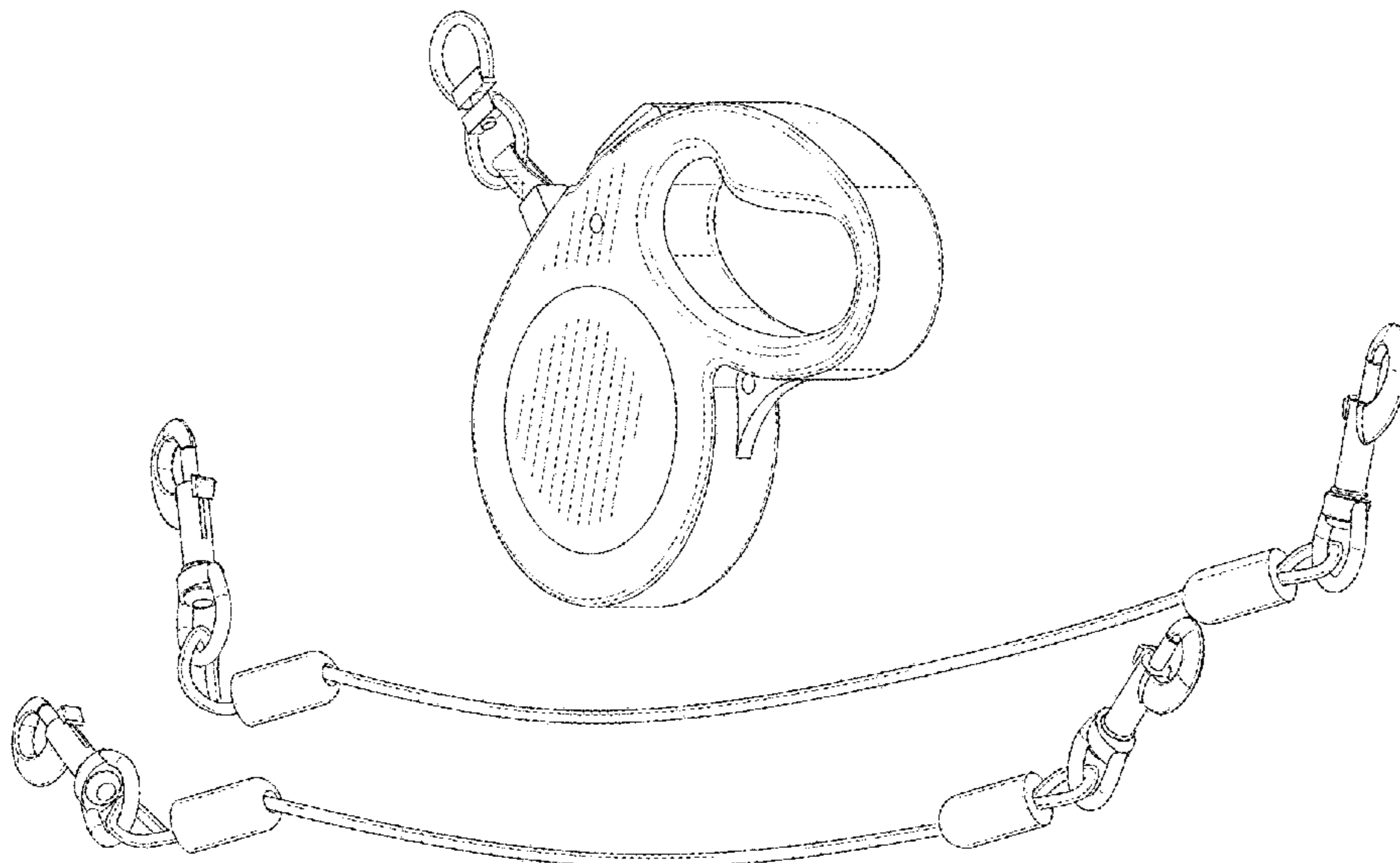
DESCRIPTION

U.S. PATENT DOCUMENTS

D439,302 S * 3/2001 Plewa A01K 27/004
D30/153
7,168,393 B2 * 1/2007 Bogdahn A01K 27/004
119/796
D553,307 S * 10/2007 Ko D30/152
D642,748 S * 8/2011 Merlin D30/153
D643,161 S 8/2011 Leedom et al.
D694,963 S 12/2013 Daniels
D711,054 S * 8/2014 Schmidt D30/153
D762,018 S * 7/2016 Schmidt D30/153
D765,319 S 8/2016 Chefetz et al.
D770,693 S * 11/2016 Zhu D30/153
D824,604 S 7/2018 Glen et al.
D829,389 S * 9/2018 Lan D30/153

FIG. 1 is a perspective view of a double retractable dog leash showing my new design;
FIG. 2 is a front view thereof;
FIG. 3 is a rear view thereof;
FIG. 4 is a right side view thereof;
FIG. 5 is a left side view thereof;
FIG. 6 is a top view thereof;
FIG. 7 is a bottom view thereof;
FIG. 8 is a perspective view thereof in an alternate configuration with one of the leash pieces attached; and,
FIG. 9 is a perspective view thereof in a second alternate configuration with both of the leash pieces attached.

1 Claim, 9 Drawing Sheets



(56)

References Cited

U.S. PATENT DOCUMENTS

D947,467 S * 3/2022 Dai D30/153
D957,755 S * 7/2022 Neal D30/153
11,445,705 B2 * 9/2022 Chung B65H 75/4442
D966,632 S * 10/2022 Han D30/153
2006/0207522 A1 * 9/2006 Perkitny A01K 27/004
119/796
2011/0180017 A1 * 7/2011 Goldenberg A01K 27/004
119/796
2014/0216361 A1 * 8/2014 Chung A01K 27/004
119/796
2015/0128879 A1 * 5/2015 Anderson A01K 27/004
119/796
2016/0345541 A1 * 12/2016 Lai A01K 27/004
2017/0339923 A1 * 11/2017 Zhu A01K 27/004
2017/0347630 A1 * 12/2017 O'Brien A01K 27/004
2018/0317456 A1 * 11/2018 Bogdahn B65H 75/4418
2018/0338474 A1 * 11/2018 Bogdahn B65H 75/4431
2019/0150403 A1 * 5/2019 Zhu B65H 75/48
2019/0387716 A1 * 12/2019 Chen A01K 27/004
2020/0045936 A1 * 2/2020 Tang B65H 75/4428

OTHER PUBLICATIONS

FLEXI New Classic Retractable Dog Leash, available in Amazon.ca, date first available Oct. 13, 2017 [online], [site visited Jul. 20, 2022], Available from the internet URL: <https://www.amazon.ca/Flexi-Classic-Retractable-Leash-Black/dp/B0748NVWFG?th=1> (Year: 2017).*

* cited by examiner

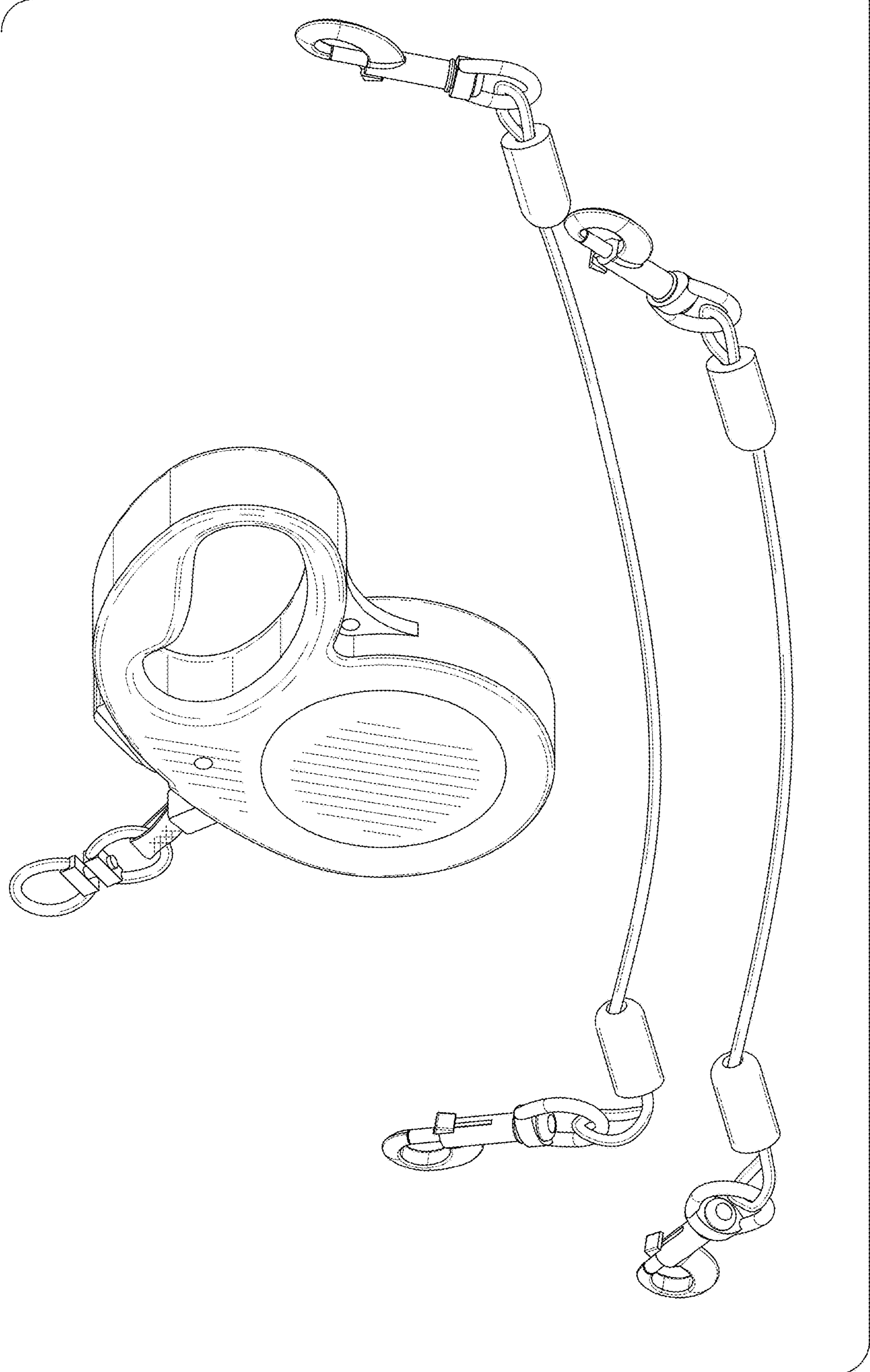


FIG. 1

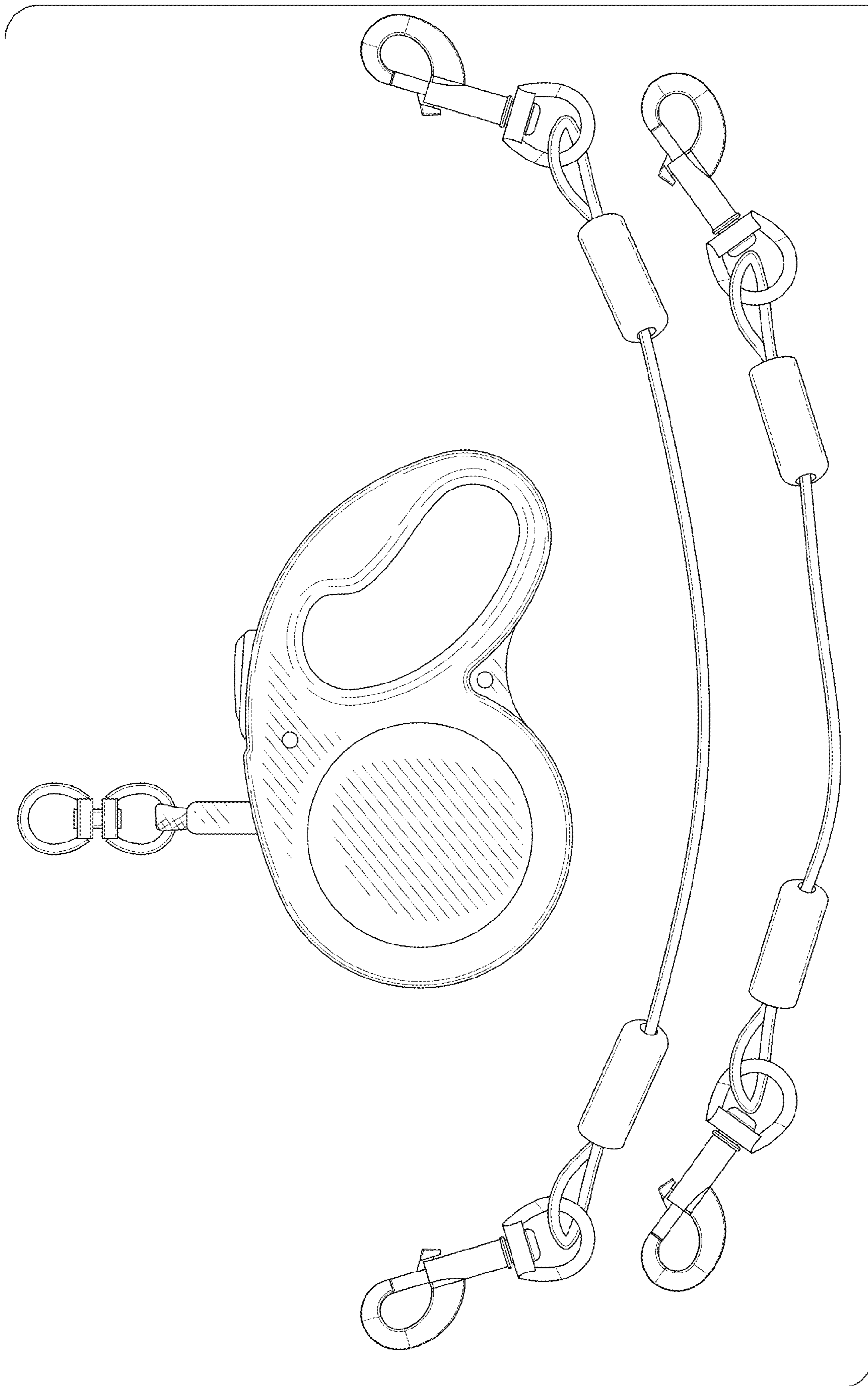


FIG. 2

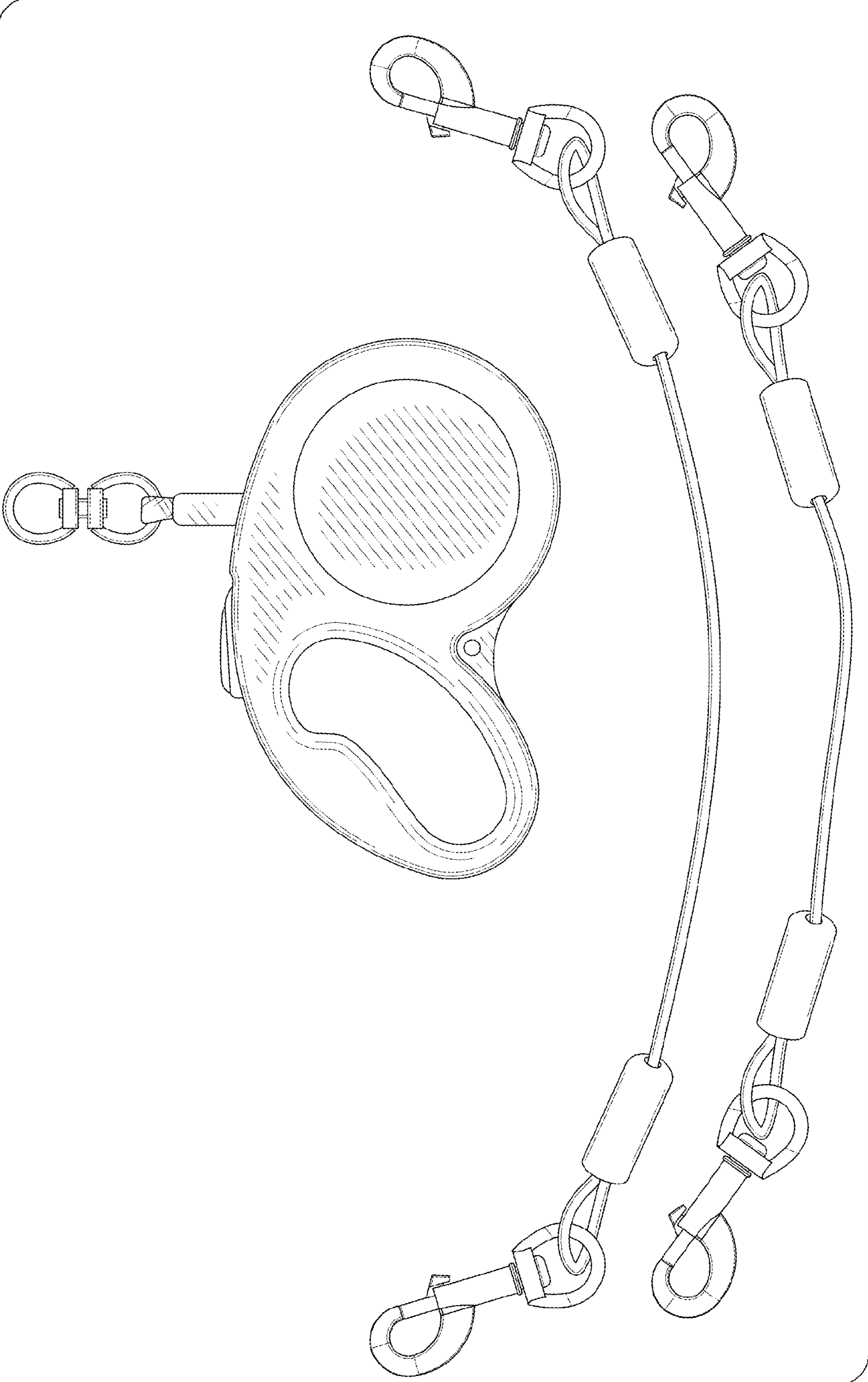


FIG. 3

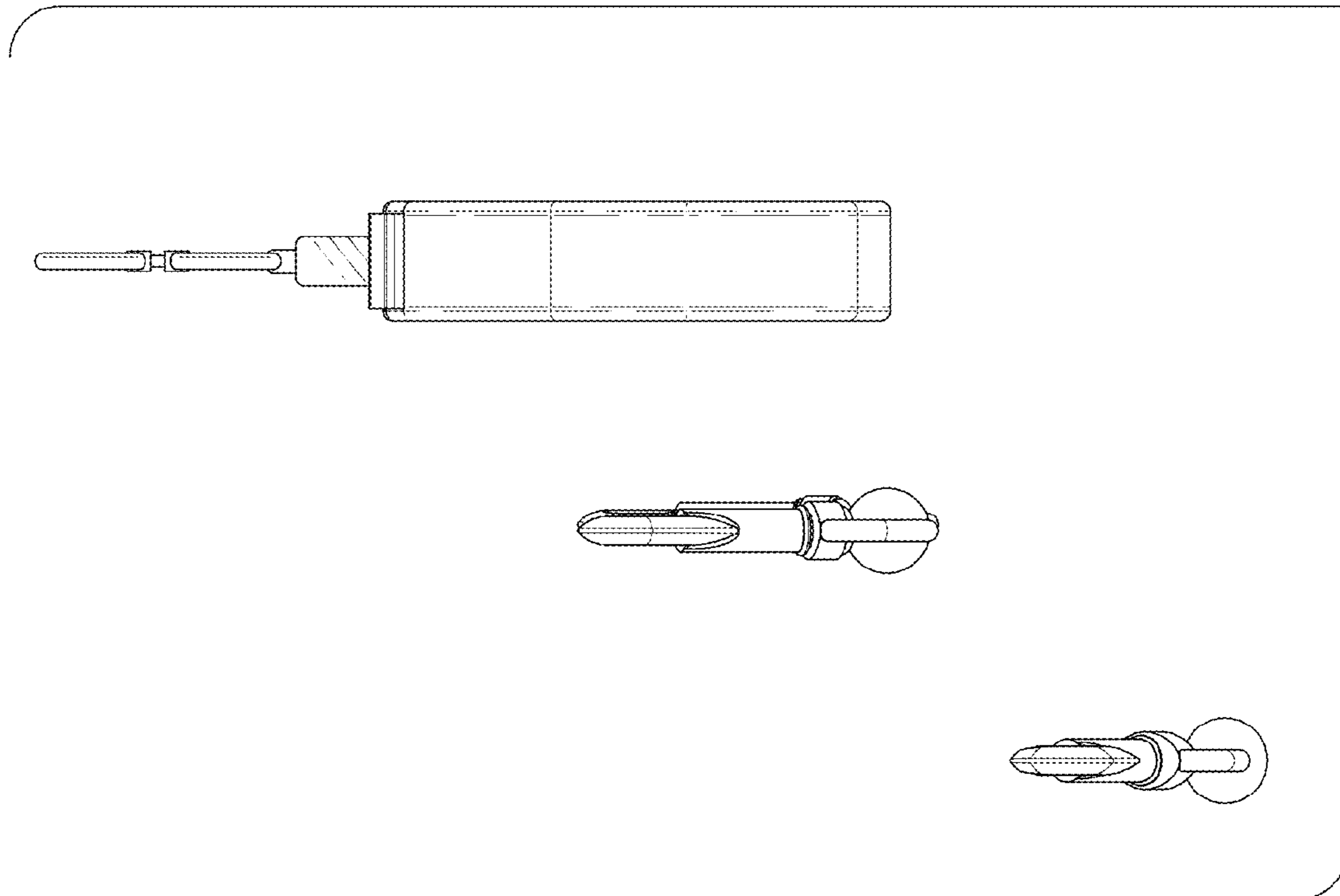


FIG. 4

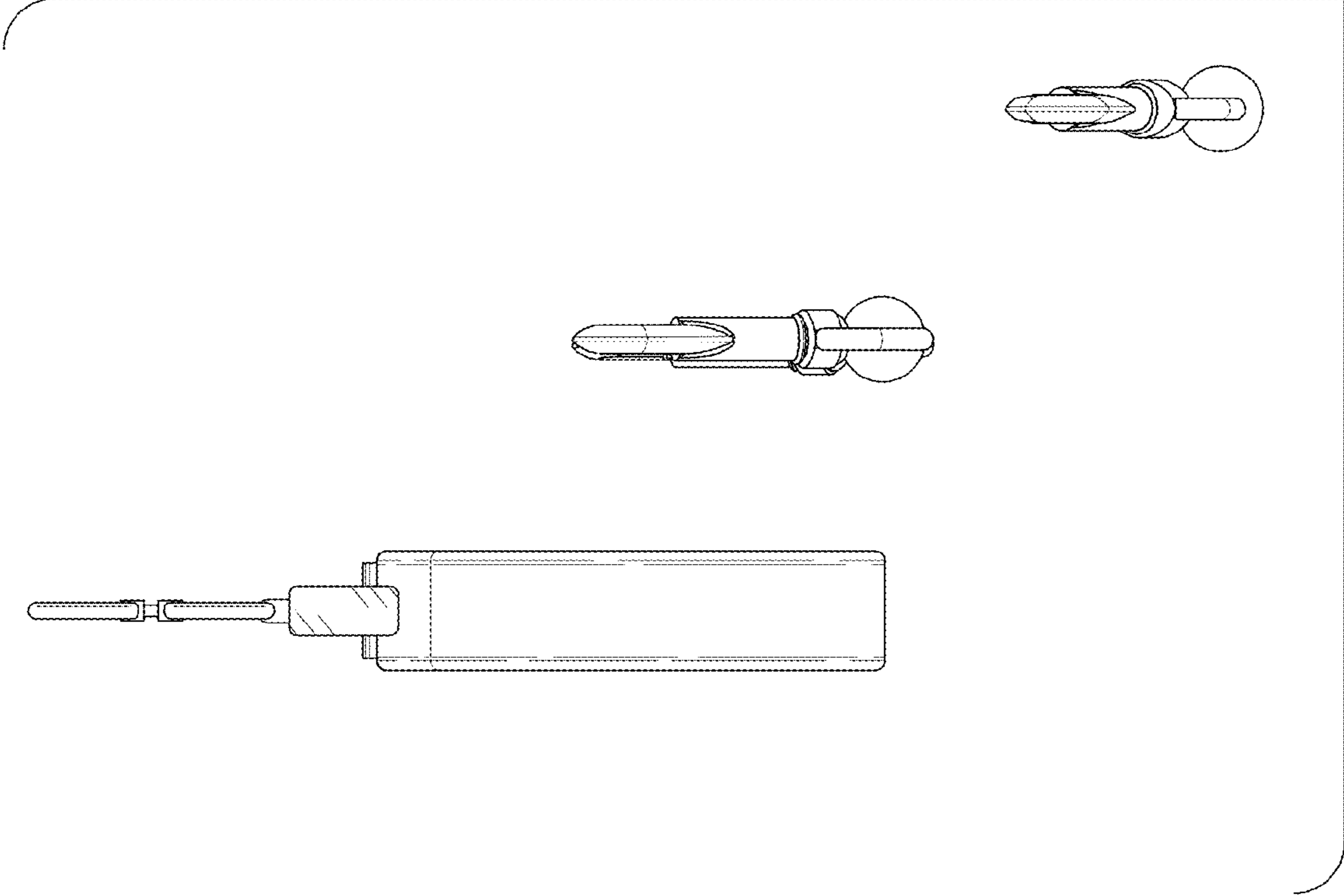


FIG. 5

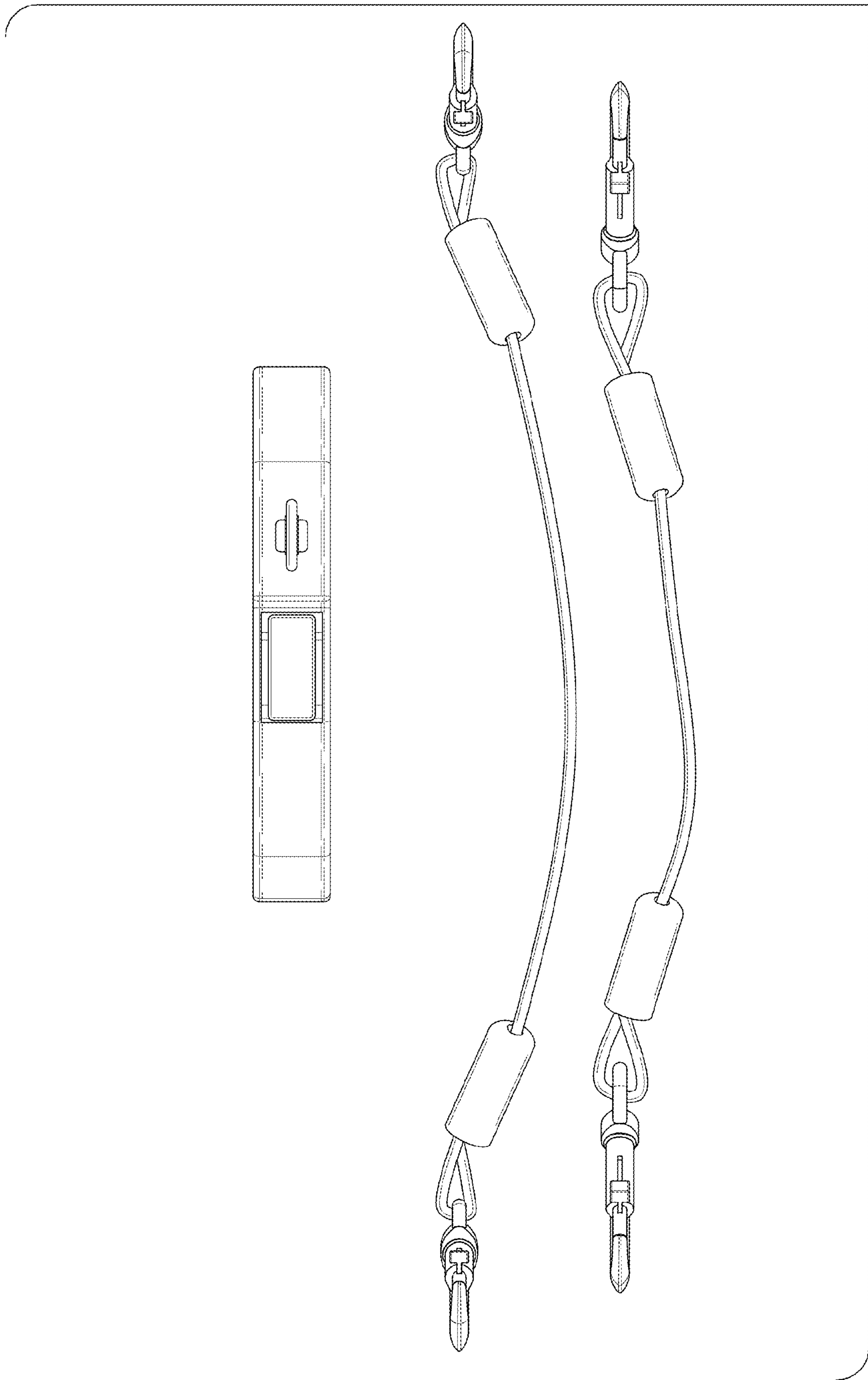


FIG. 6

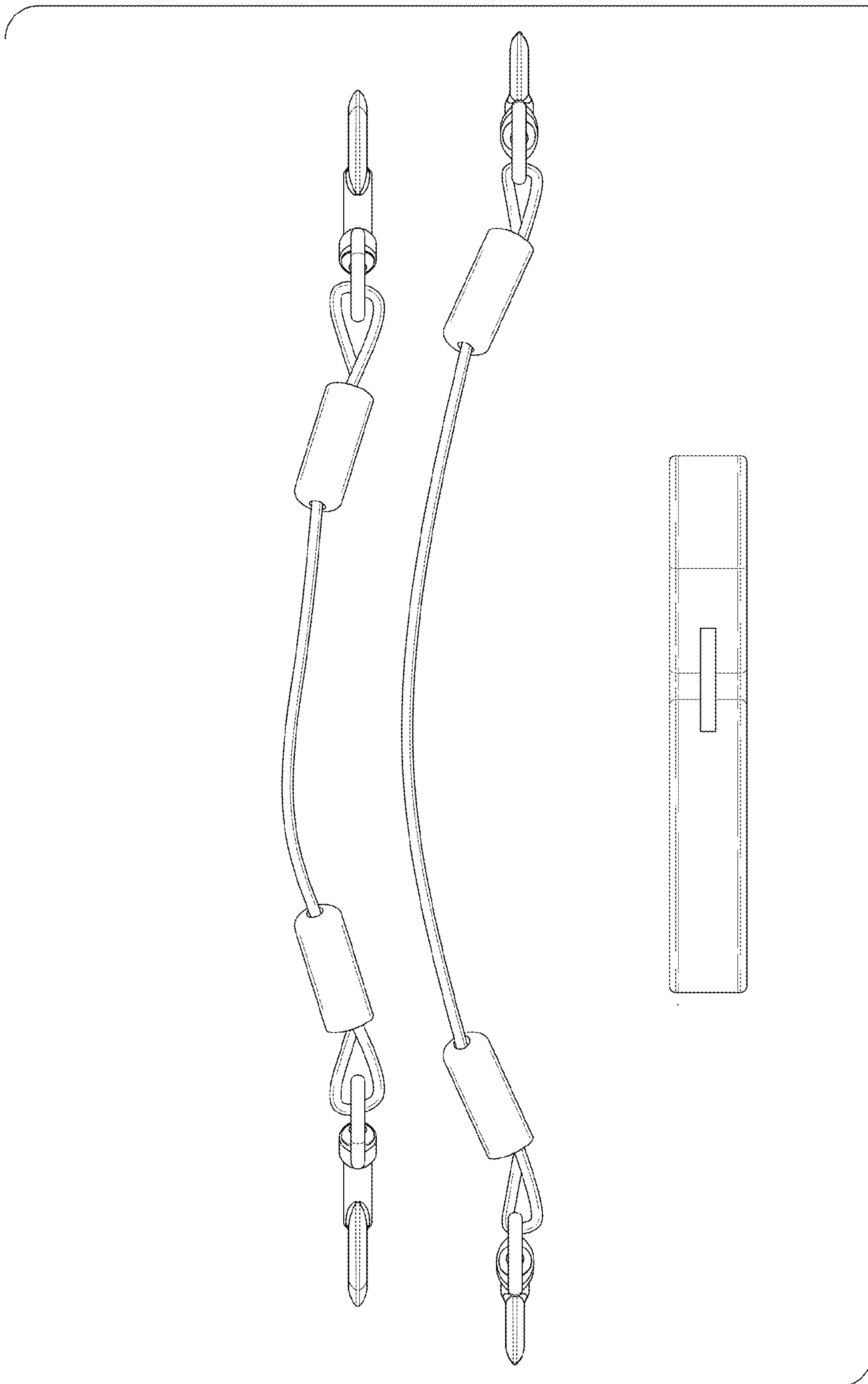


FIG. 7

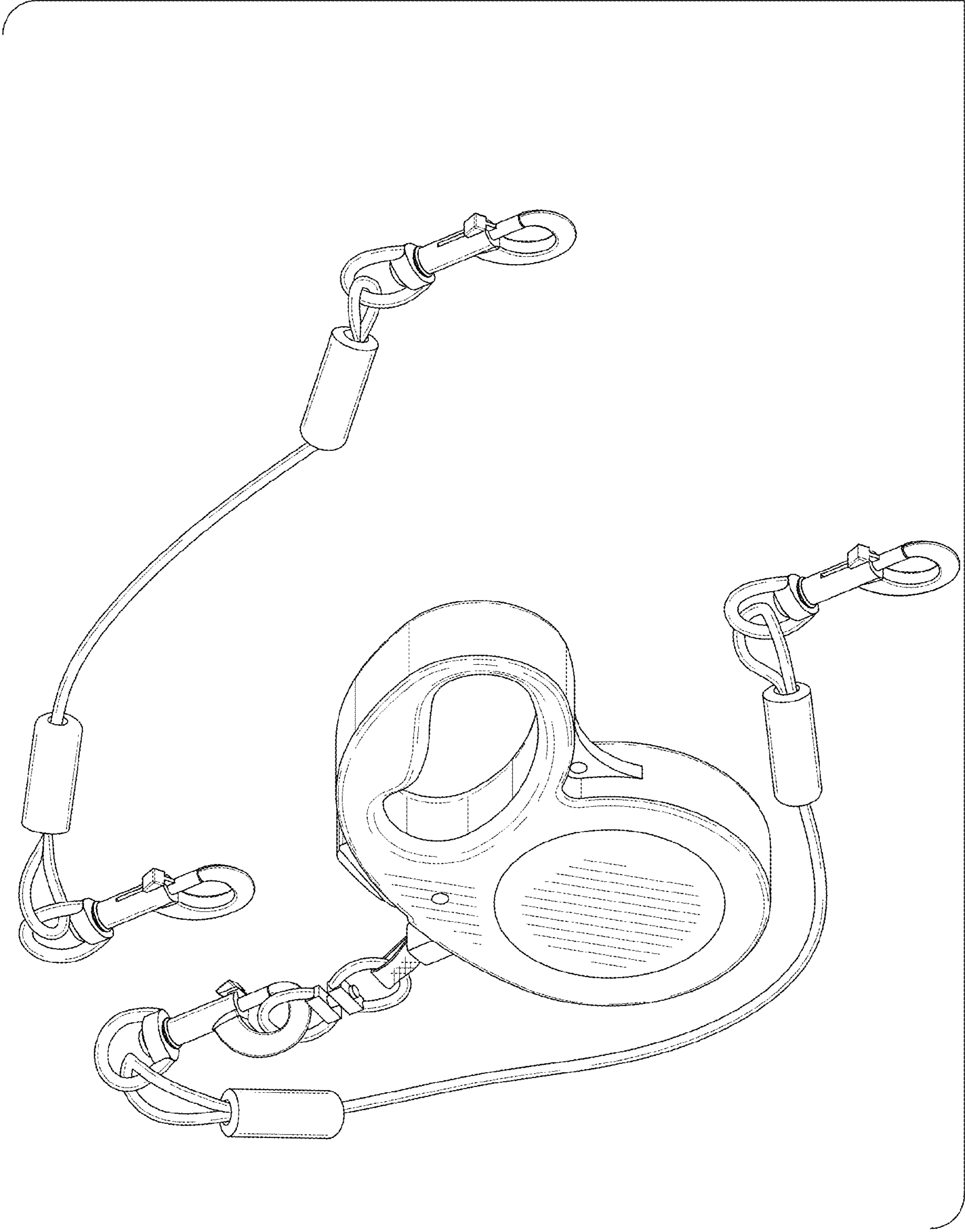


FIG. 8

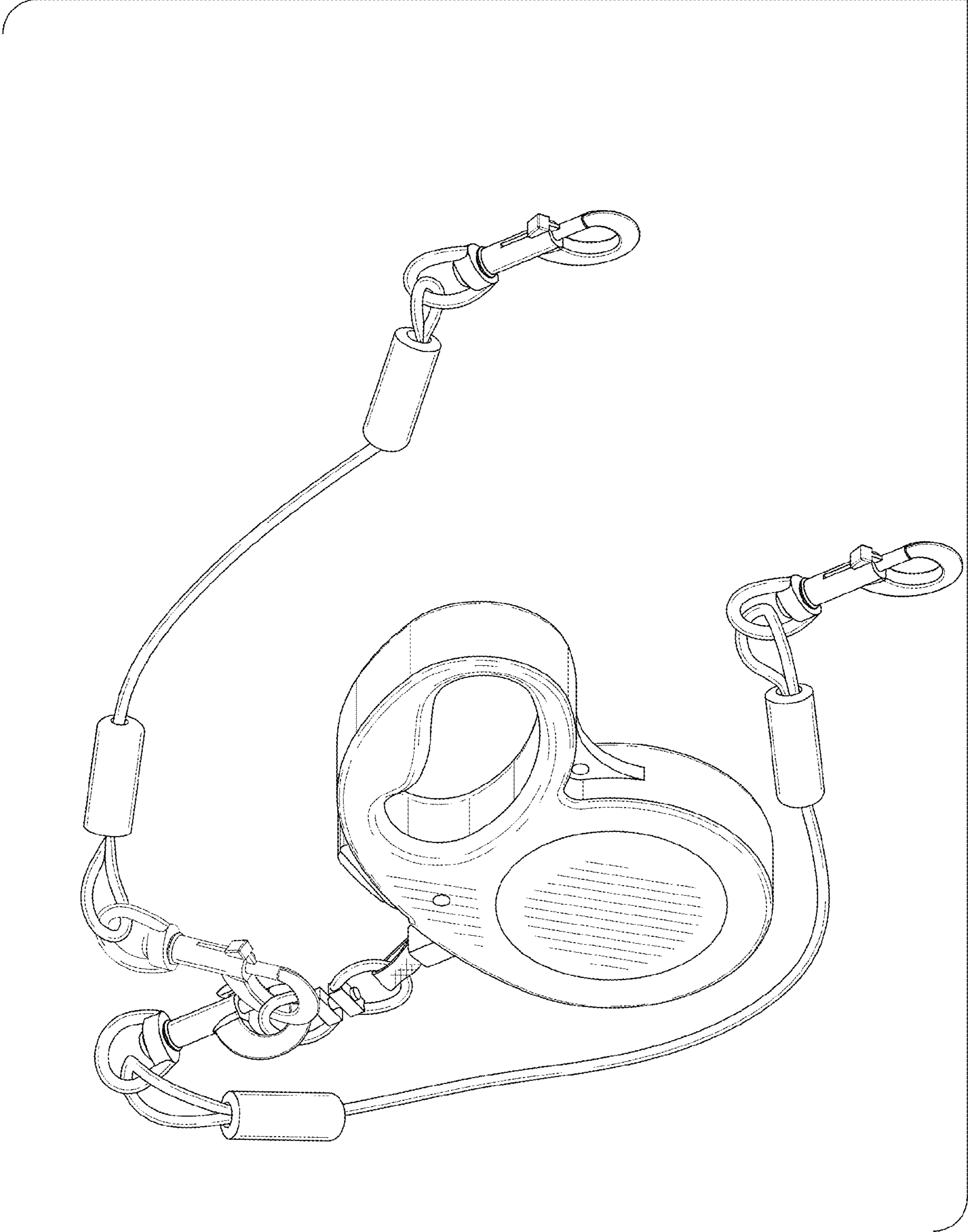


FIG. 9