



US00D978451S

(12) **United States Design Patent**
Jiang

(10) **Patent No.:** **US D978,451 S**

(45) **Date of Patent:** **** Feb. 14, 2023**

(54) **DOG BOOT**

(71) Applicant: **Jiaxing Bepal Technology Co., Ltd.**,
Jiaxing (CN)

(72) Inventor: **Yan Jiang**, Jiaxing (CN)

(73) Assignee: **Jiaxing Bepal Technology Co., Ltd.**,
Jiaxing (CN)

(**) Term: **15 Years**

(21) Appl. No.: **29/785,072**

(22) Filed: **May 24, 2021**

(51) **LOC (14) Cl.** **30-01**

(52) **U.S. Cl.**
USPC **D30/146**

(58) **Field of Classification Search**
USPC D2/900, 910, 911, 943; D30/146
CPC A01K 13/006; A01K 13/007; A61D 9/00
See application file for complete search history.

(56) **References Cited**

U.S. PATENT DOCUMENTS

- 2,446,371 A * 8/1948 McNeill A01K 13/007
36/111
- 2,651,853 A * 9/1953 Lewis A01K 13/007
54/82
- D290,544 S * 6/1987 Babicki D2/900
- 5,495,828 A * 3/1996 Solomon A01K 13/007
36/111
- D379,251 S * 5/1997 Mezey 36/111
- D514,262 S * 1/2006 Sabeh-Azar D30/146
- D515,749 S * 2/2006 Alameddine D30/146
- D515,750 S * 2/2006 Alameddine D30/146
- D521,693 S * 5/2006 Alameddine D30/146
- D529,238 S * 9/2006 Yun D30/146
- D542,482 S * 5/2007 Krottinger D30/146
- D542,483 S * 5/2007 Maloney D30/146
- D575,008 S * 8/2008 Krottinger D30/146
- D633,258 S * 2/2011 Benattar D30/146
- D670,453 S 11/2012 Knutson et al.
- D696,474 S 12/2013 Knutson et al.

- D811,015 S * 2/2018 Thitz D30/146
- D825,152 S * 8/2018 Will D2/900
- D862,001 S 10/2019 Mayster
- D882,216 S * 4/2020 Zhang D2/960
- D917,796 S 4/2021 Harlow
- D924,496 S * 7/2021 Simon D30/146

(Continued)

FOREIGN PATENT DOCUMENTS

CN 306145259 * 10/2020

OTHER PUBLICATIONS

Kooltail Anti-Slip Dog Boots 4 Packs, available in Amazon.com, date first available May 24, 2021 [online], [site visited Aug. 19, 2022], Available from the internet URL: <https://www.amazon.com/Anti-Slip-Dog-Boots-Packs-Adjustable/dp/B095PBLF4W> (Year: 2021).*

Primary Examiner — Vy N Koenig
Assistant Examiner — Elizabeth Anne Glassberg
(74) *Attorney, Agent, or Firm* — Nitin Kaushik

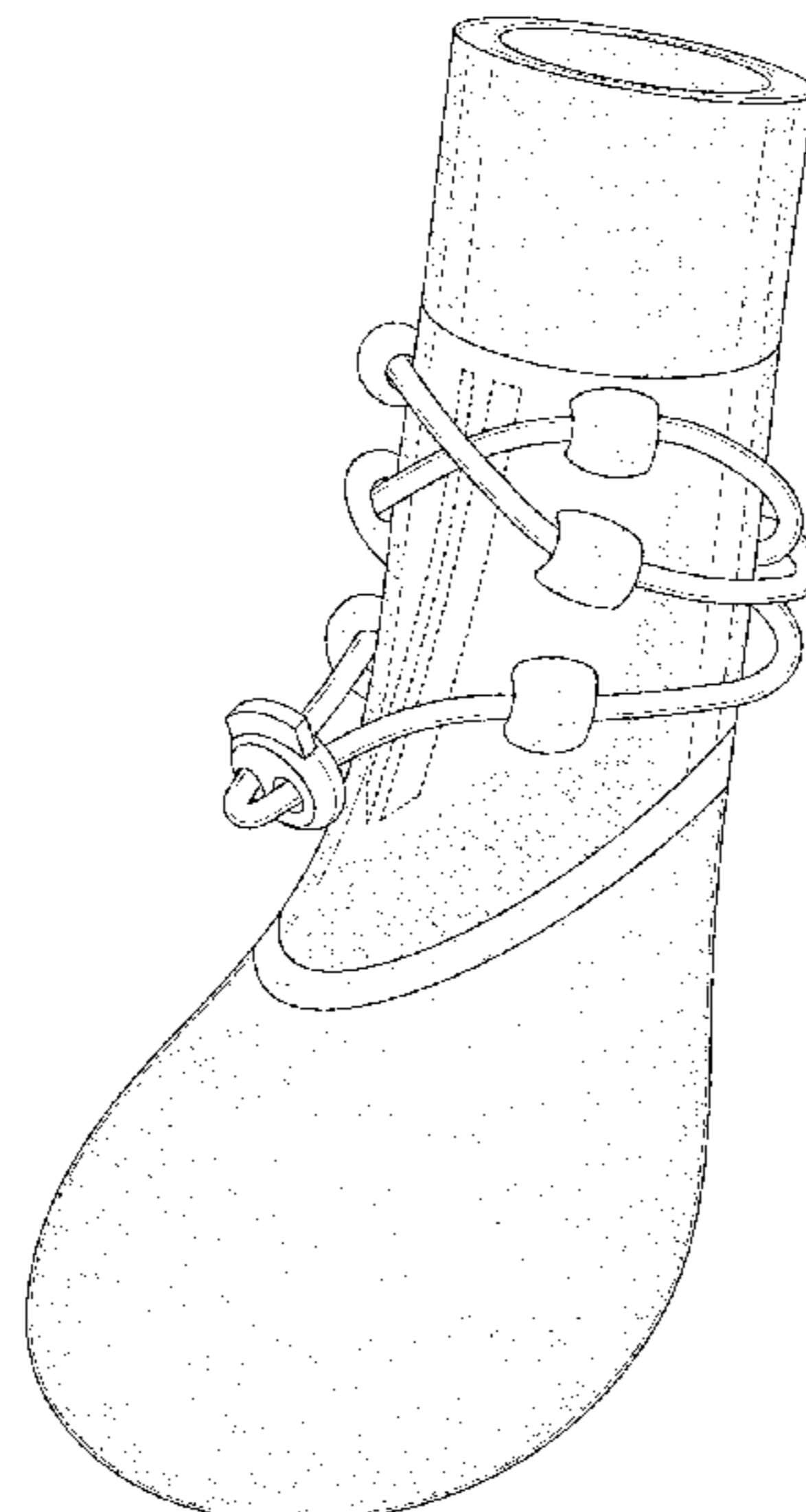
(57) **CLAIM**

The ornamental design for a dog boot, as shown and described.

DESCRIPTION

FIG. 1 is a perspective view of a dog boot showing my new design;
FIG. 2 is a front view thereof;
FIG. 3 is a rear view thereof;
FIG. 4 is a left side view thereof;
FIG. 5 is a right side view thereof;
FIG. 6 is a top view thereof; and,
FIG. 7 is a bottom view thereof.
The broken lines in the figures are for the purpose of illustrating portions of the dog boot, that form no part of the claimed design.

1 Claim, 7 Drawing Sheets



(56)

References Cited

U.S. PATENT DOCUMENTS

D936,297	S	*	11/2021	Yin	D30/146
D938,102	S	*	12/2021	Harlow	D30/146
D944,466	S	*	2/2022	Yin	D30/146
D945,086	S	*	3/2022	Yin	D30/146
2015/0289481	A1	*	10/2015	Kuzuu	A01K 13/007
						119/850
2016/0143250	A1	*	5/2016	Bobko	B29D 35/02
						168/1

* cited by examiner

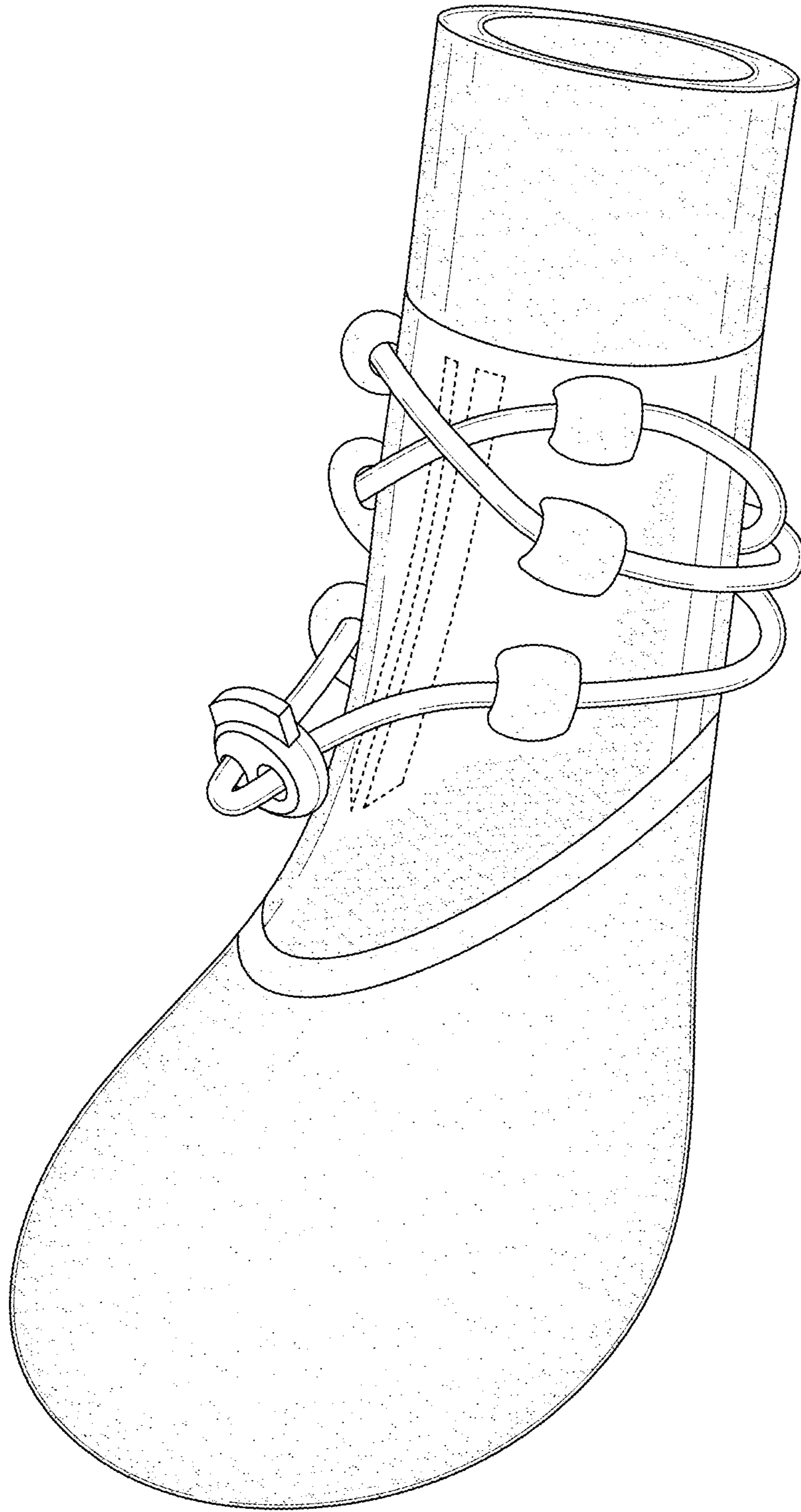


FIG. 1

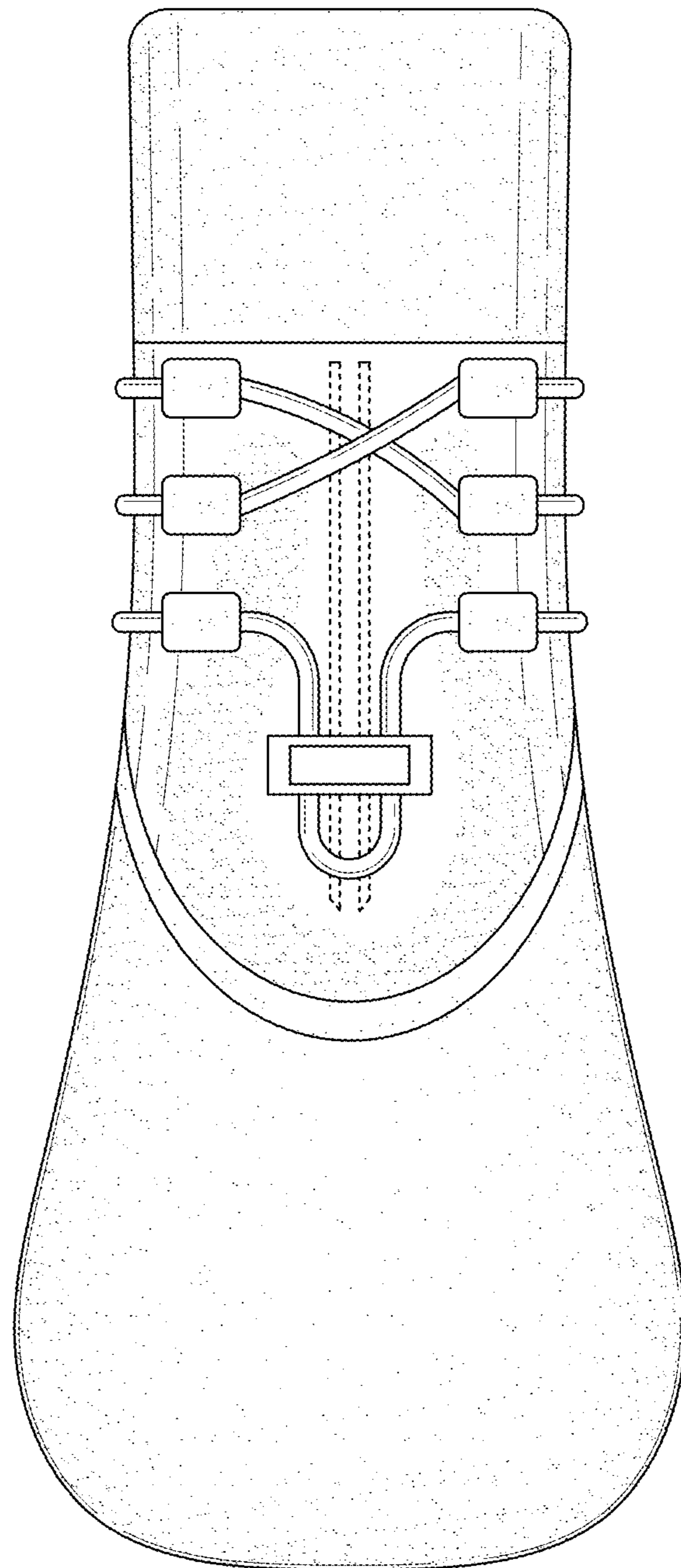


FIG. 2

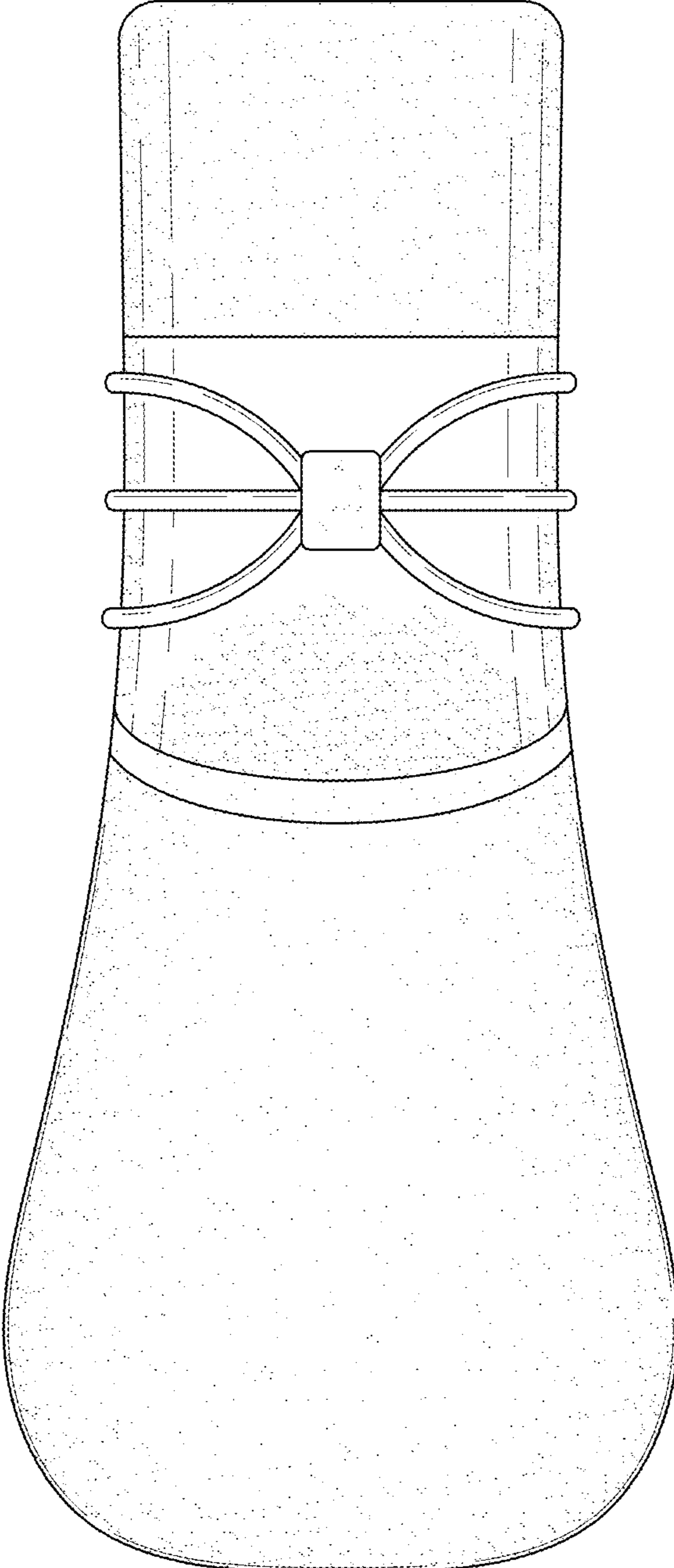


FIG. 3

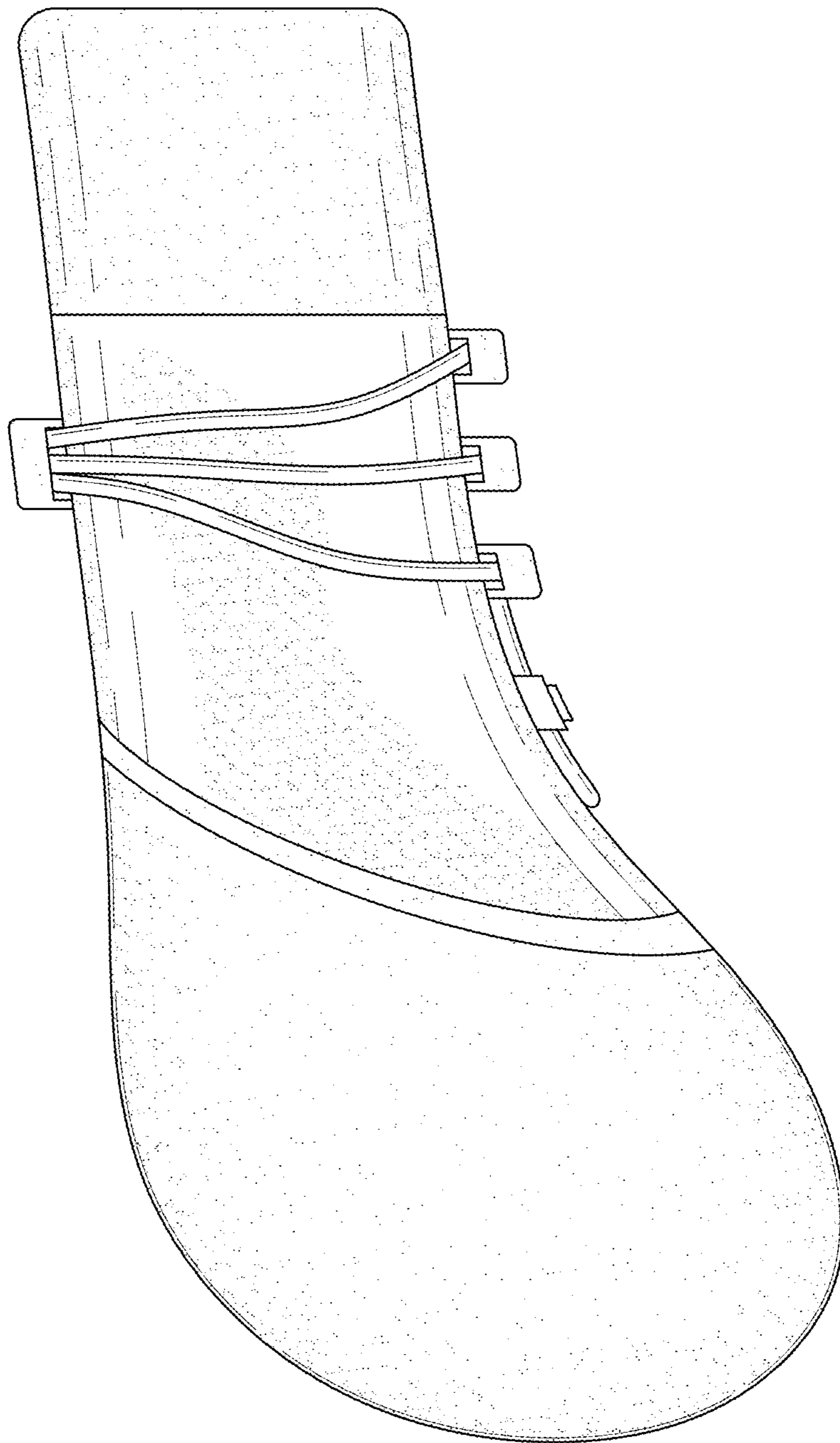


FIG. 4

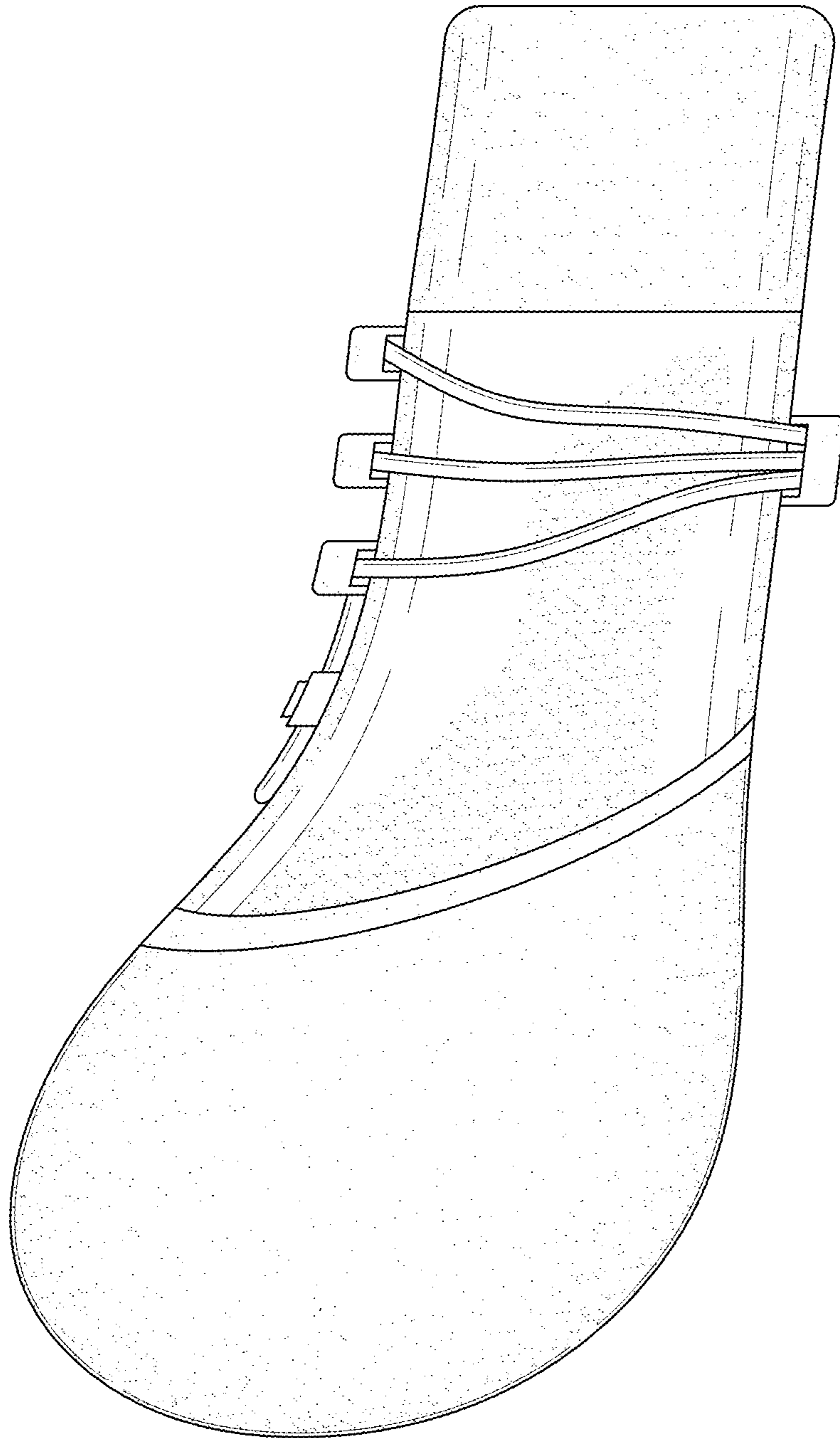


FIG. 5

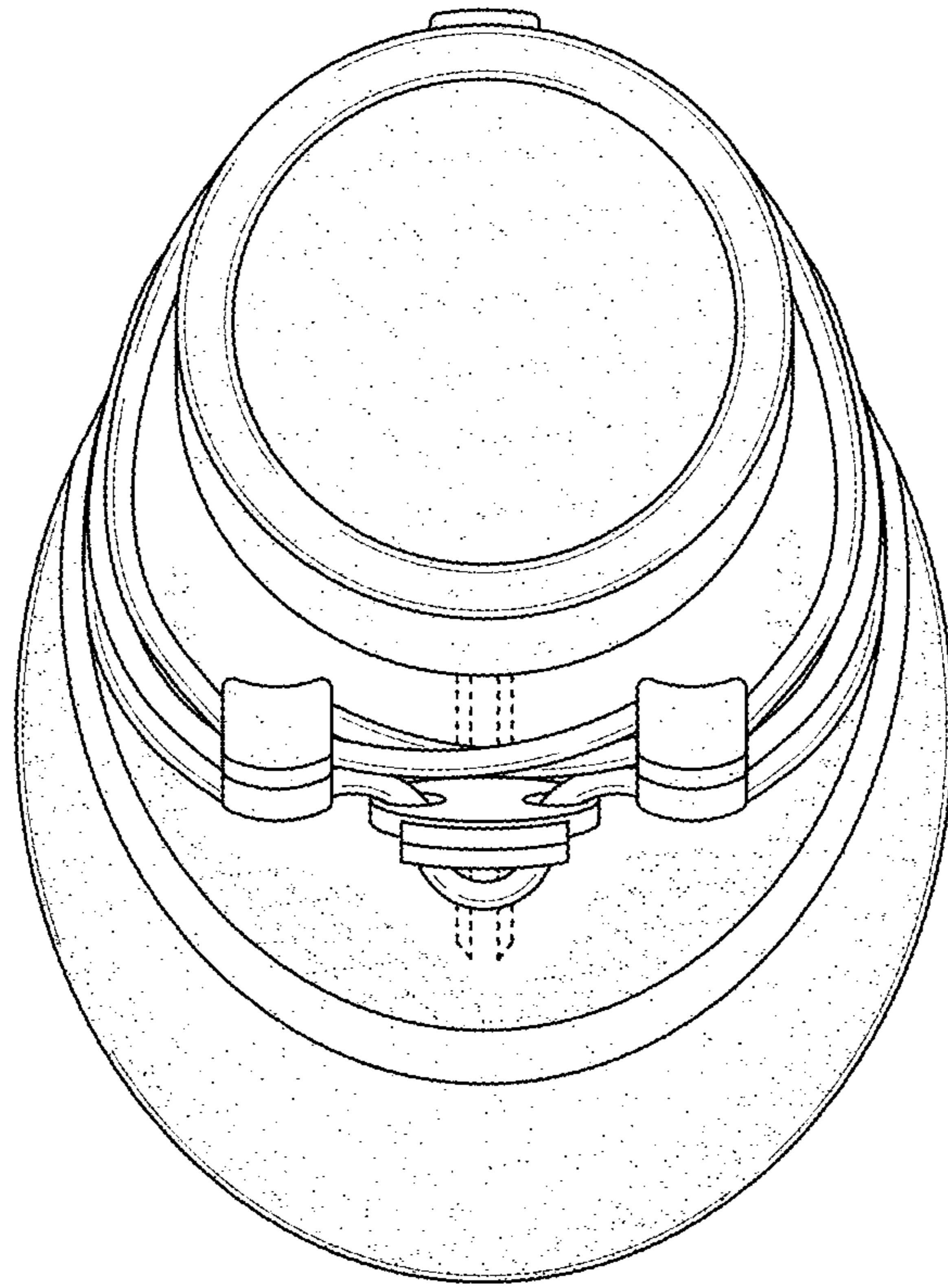


FIG. 6

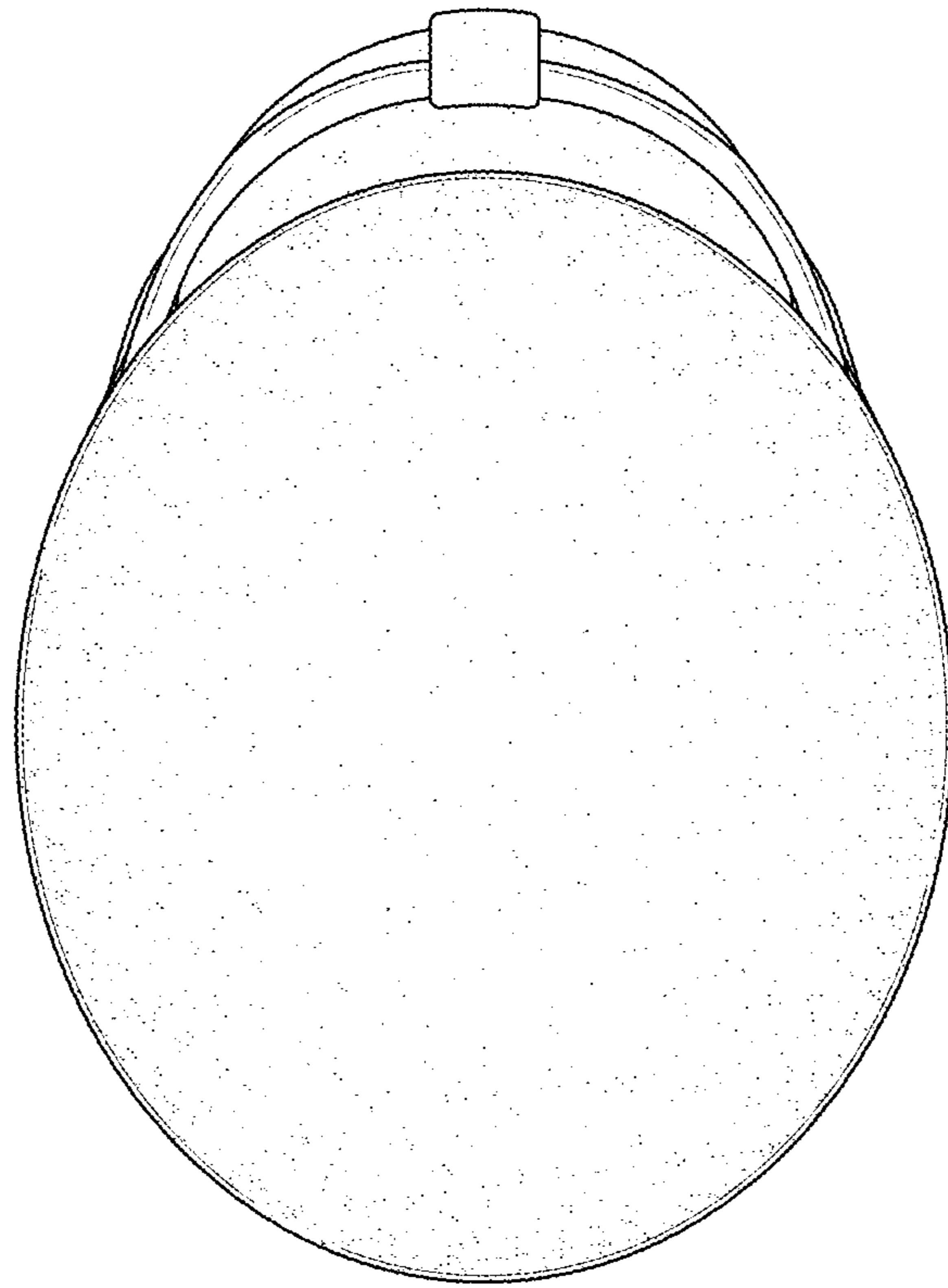


FIG. 7