



US00D978450S

(12) **United States Design Patent**
Gevaert

(10) **Patent No.:** **US D978,450 S**

(45) **Date of Patent:** **** Feb. 14, 2023**

- (54) **FEEDER FOR ANIMALS**
- (71) Applicant: **MP GROUP NV**, Izegem (BE)
- (72) Inventor: **Sabine Gevaert**, Bredene (BE)
- (73) Assignee: **MP Group NV**, Izegem (BE)
- (**) Term: **15 Years**

D901,095 S *	11/2020	MacNeil	D30/129
D901,096 S *	11/2020	MacNeil	D30/129
D908,978 S *	1/2021	Wu	D30/129
D914,999 S *	3/2021	Deng	D30/129
D915,000 S *	3/2021	Huang	D30/129
D915,687 S *	4/2021	Fan	D30/131
D915,688 S *	4/2021	Fan	D30/131
D917,105 S *	4/2021	Pan	D30/131
D921,999 S *	6/2021	Xie	D30/131
D945,082 S *	3/2022	Babal	D30/133

- (21) Appl. No.: **29/737,679**
- (22) Filed: **Jun. 11, 2020**
- (51) **LOC (14) Cl.** **30-03**
- (52) **U.S. Cl.**
USPC **D30/130; D30/129**
- (58) **Field of Classification Search**
USPC D30/121, 122, 129-133, 199; 119/51.01, 119/51.02, 51.03, 51.11, 51.15, 51.5, 70, 119/52.1, 52.3, 52.4, 53, 53.5, 54, 57.92, 119/61.1, 61.3, 61.5, 61, 52, 61.53, 61.54, 119/61.55, 68, 72, 73, 74, 75, 78, 174
CPC . A01K 5/00; A01K 7/00; A01K 39/02; A01K 39/04; A01K 39/0213; A01K 5/0114; A01K 5/0121; A01K 5/0135; A01K 7/005
See application file for complete search history.

OTHER PUBLICATIONS

“Pet Menu” available Mar. 10, 2022, [online], [site visited Mar. 10, 2022]. Retrieved from Internet, URL:https://www.behance.net/gallery/3982029/Pet-Menu (Year: 2022).*

(Continued)

Primary Examiner — Katrina N Gonzalez

(74) *Attorney, Agent, or Firm* — Fresh IP PLC; Clifford D. Hyra; Aubrey Y. Chen

(57) **CLAIM**

The ornamental design for a feeder for animals, as shown and described.

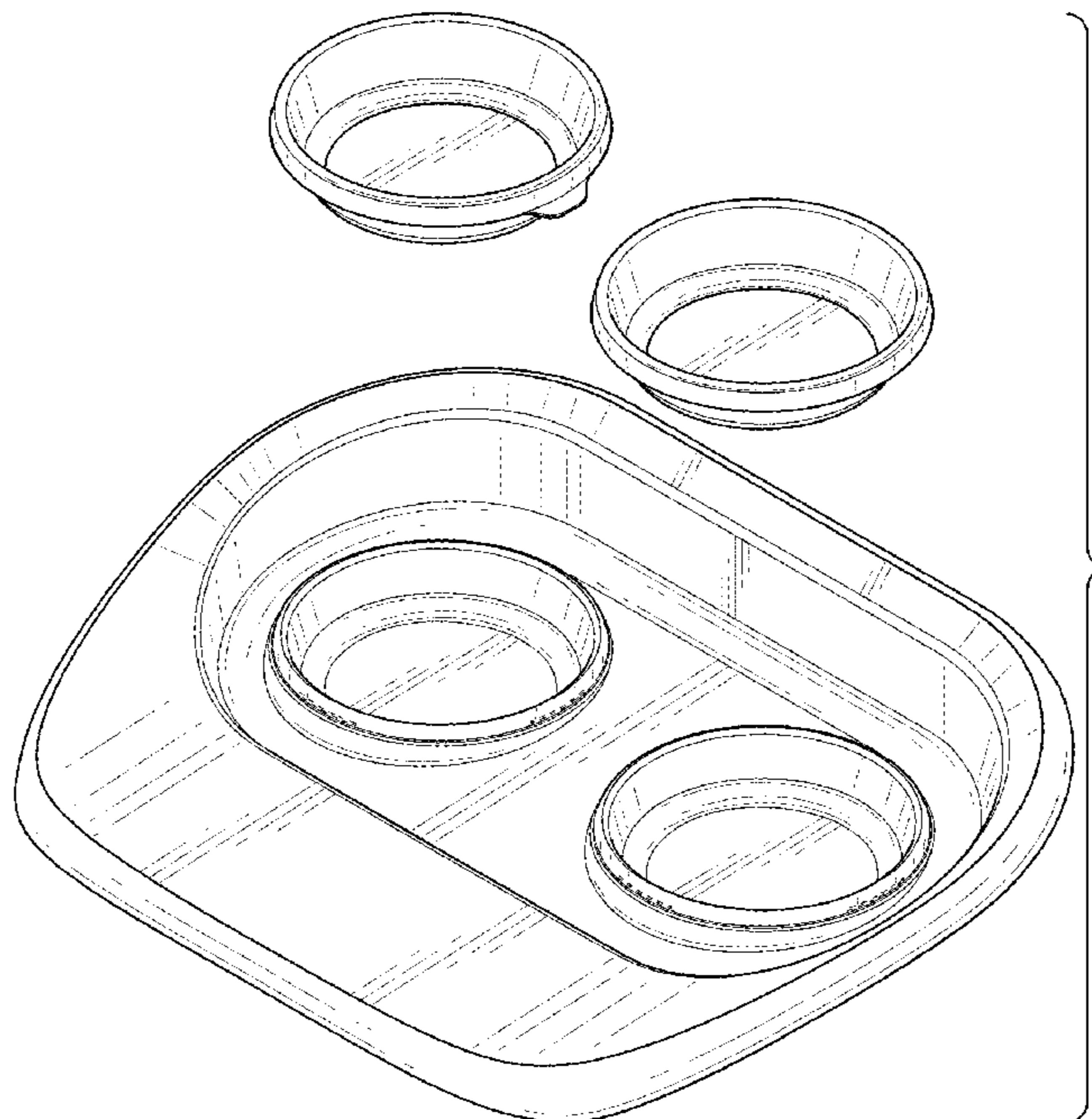
DESCRIPTION

FIG. 1 is a perspective view of a feeder for animals;
FIG. 2 is a top view thereof;
FIG. 3 is a bottom view thereof;
FIG. 4 is a front view thereof;
FIG. 5 is a rear view thereof;
FIG. 6 is a side view thereof; and,
FIG. 7 is an exploded perspective view thereof, shown disassembled for completeness of illustration.
The broken lines illustrate portions of the feeder for animals that form no part of the claimed design.

1 Claim, 7 Drawing Sheets

(56) **References Cited**
U.S. PATENT DOCUMENTS

D602,652 S *	10/2009	Horvath	D30/133
D606,711 S *	12/2009	Becattini, Jr.	D30/131
D802,853 S *	11/2017	MacNeil	D30/129
D811,666 S *	2/2018	Lopez	D30/133
D873,502 S *	1/2020	MacNeil	D30/129
D873,503 S *	1/2020	MacNeil	D30/129
D882,882 S *	4/2020	MacNeil	D30/129
D899,707 S *	10/2020	MacNeil	D30/129
D899,709 S *	10/2020	MacNeil	D30/129



(56)

References Cited

OTHER PUBLICATIONS

“Petmaker” available May 30, 2016, [online], [site visited Mar. 10, 2022]. Retrieved from Internet, URL:https://www.amazon.com/PETMAKER-Non-Skid-Bowl-Tray/dp/B01GCEXODM/ref=sr_1_59 (Year: 2016).*

“Pekdog Dog Bowls” available Nov. 23, 2021, [online], [site visited Mar. 10, 2022]. Retrieved from Internet, URL:https://www.amazon.com/PEKDOFG-Non-Slip-Mess-Proof-Resistant-Silicone/dp/B09MFW9ZCR/ref=sr_1_296 (Year: 2021).*

* cited by examiner

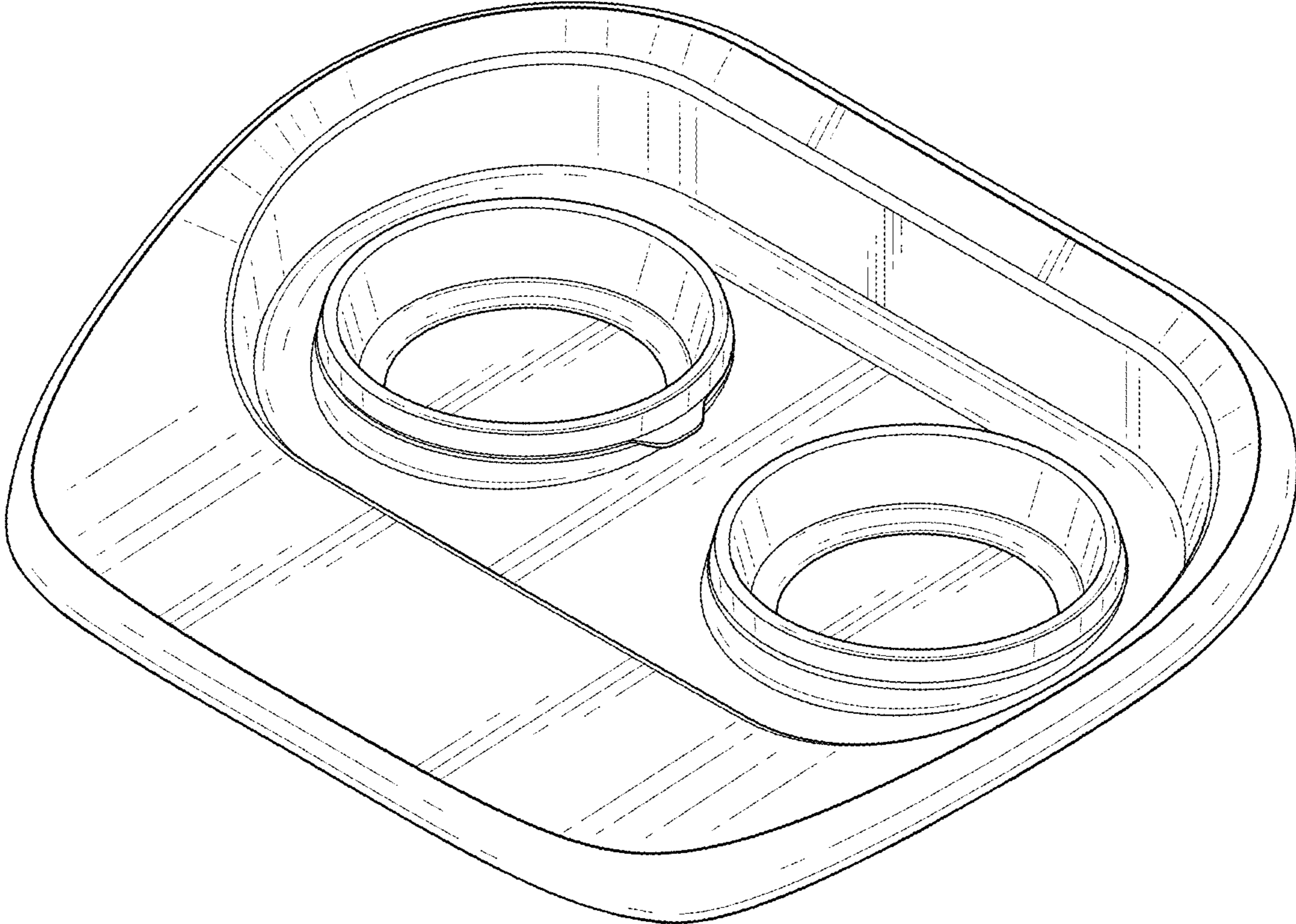


FIG. 1

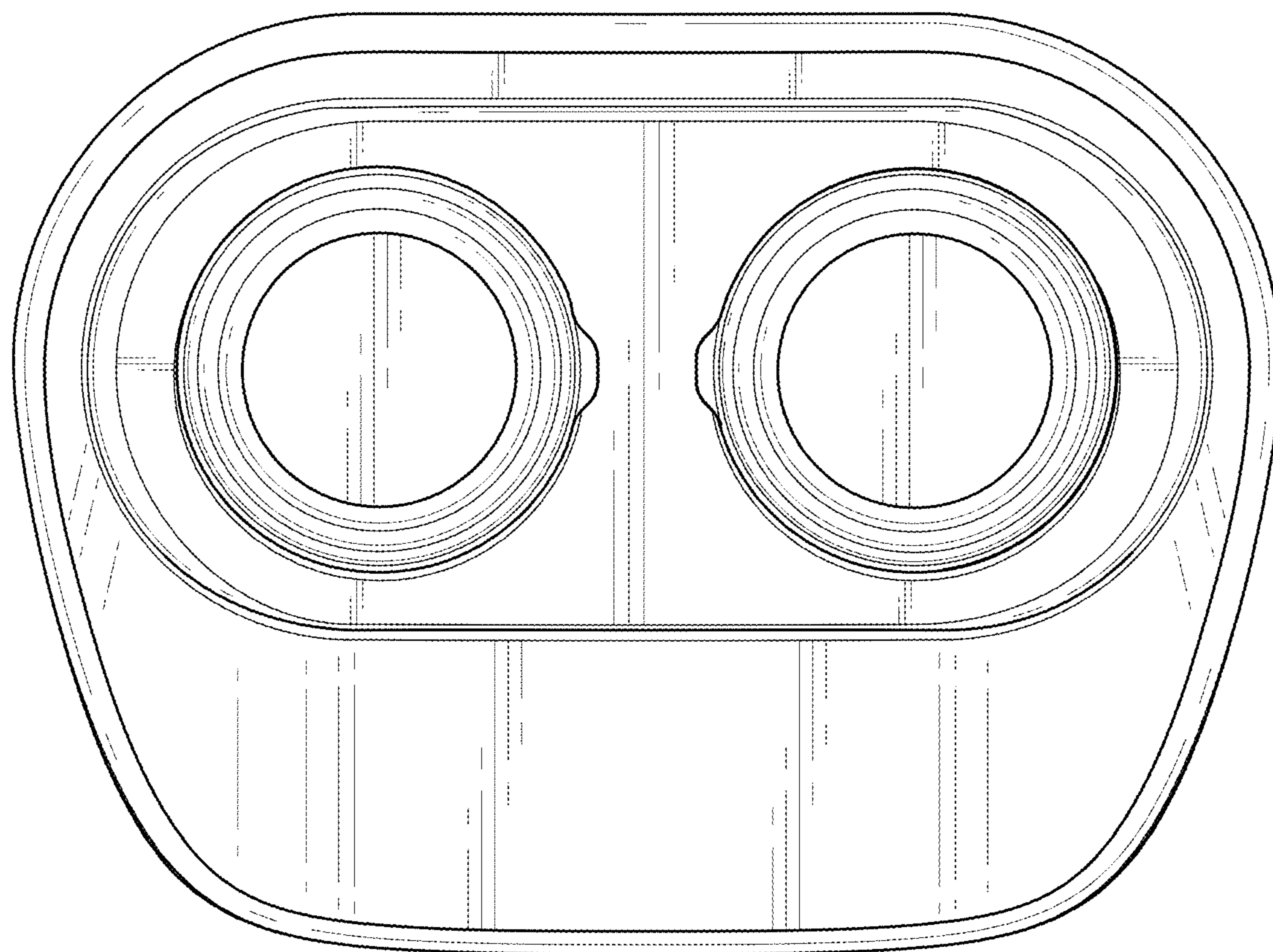


FIG. 2

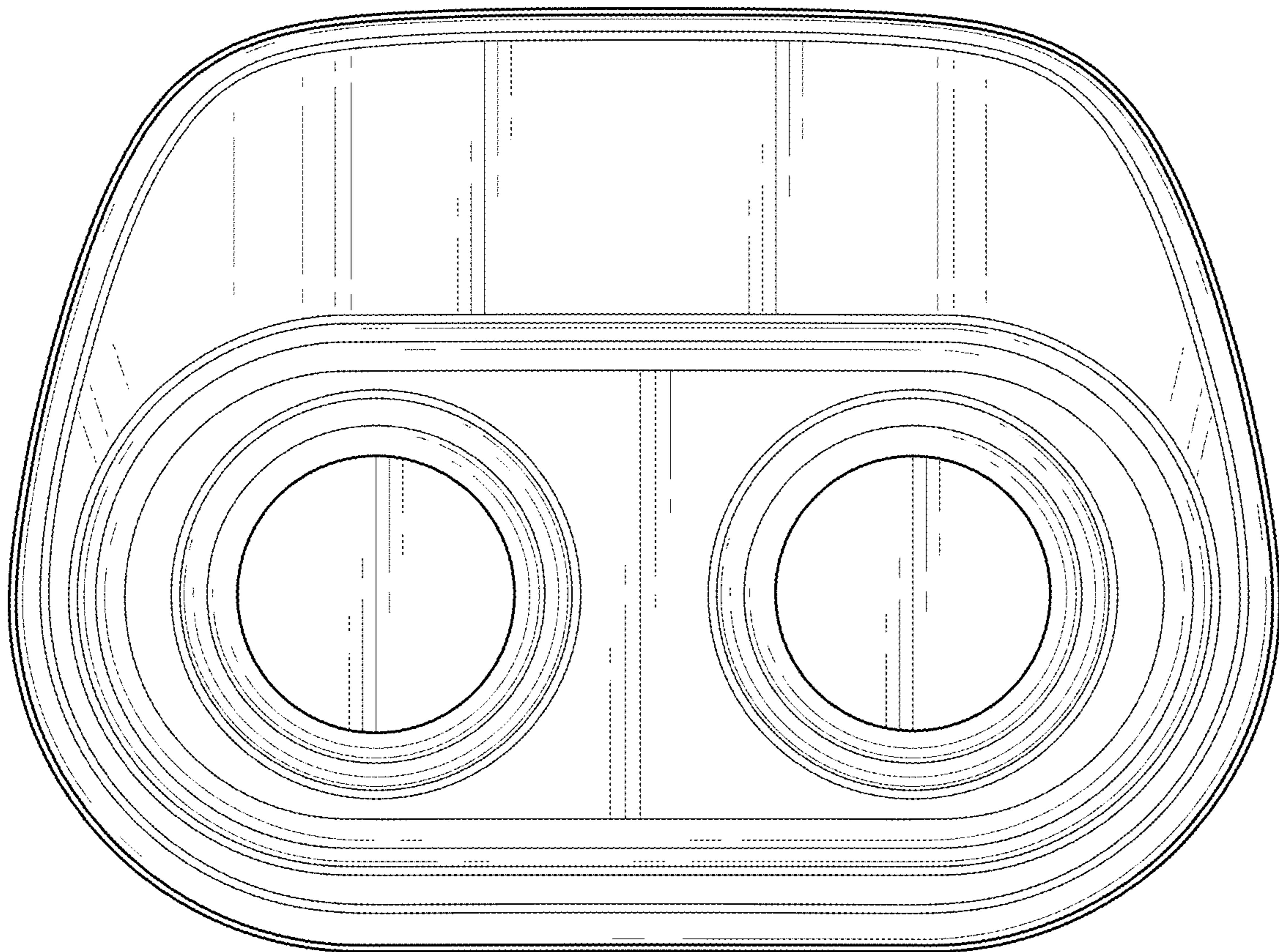


FIG. 3

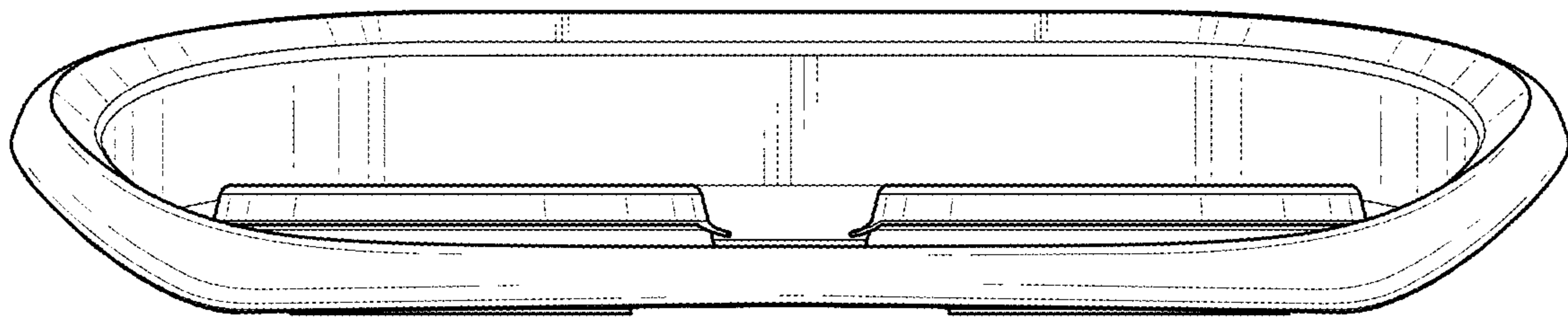


FIG. 4

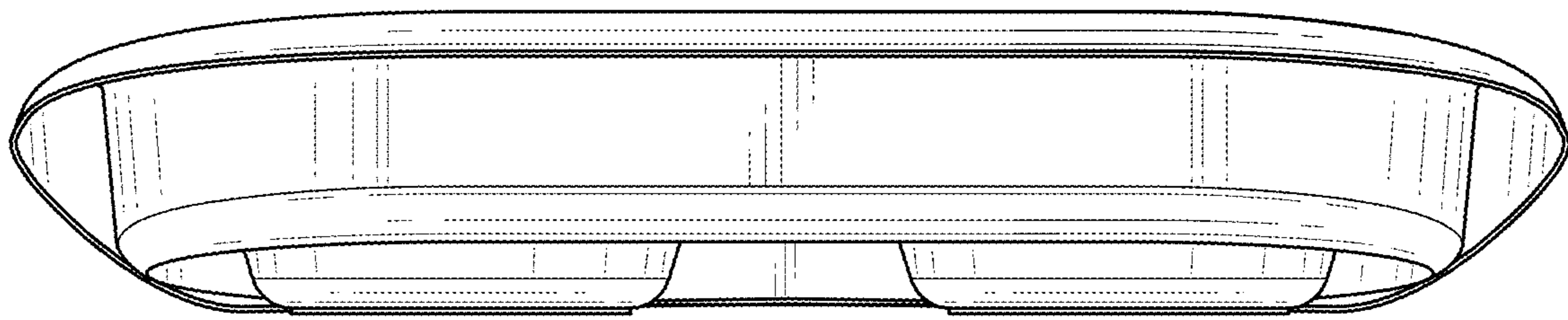


FIG. 5

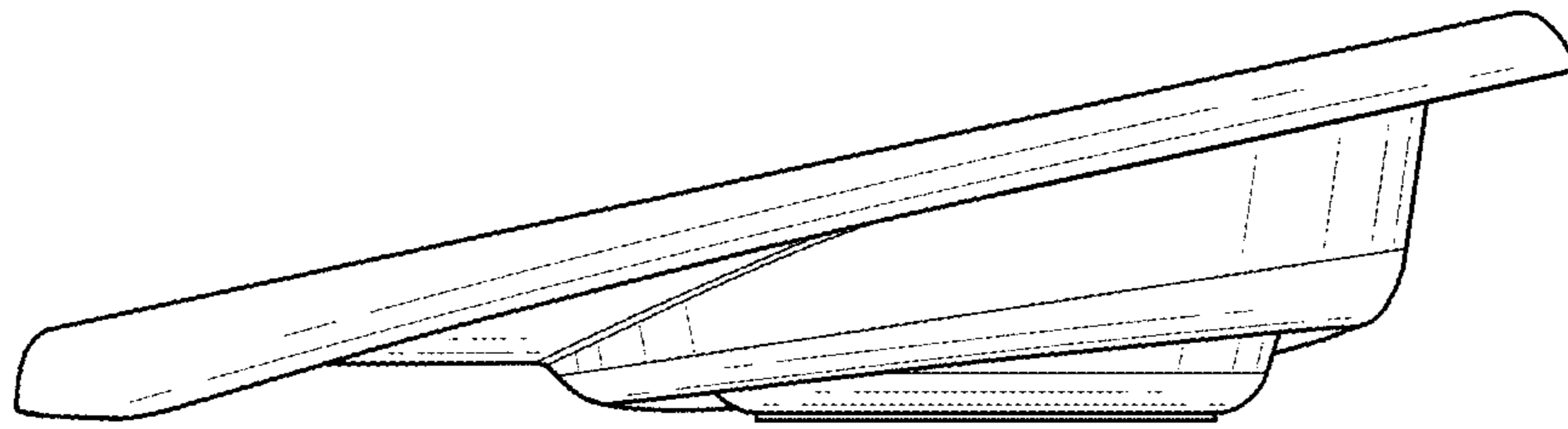


FIG. 6

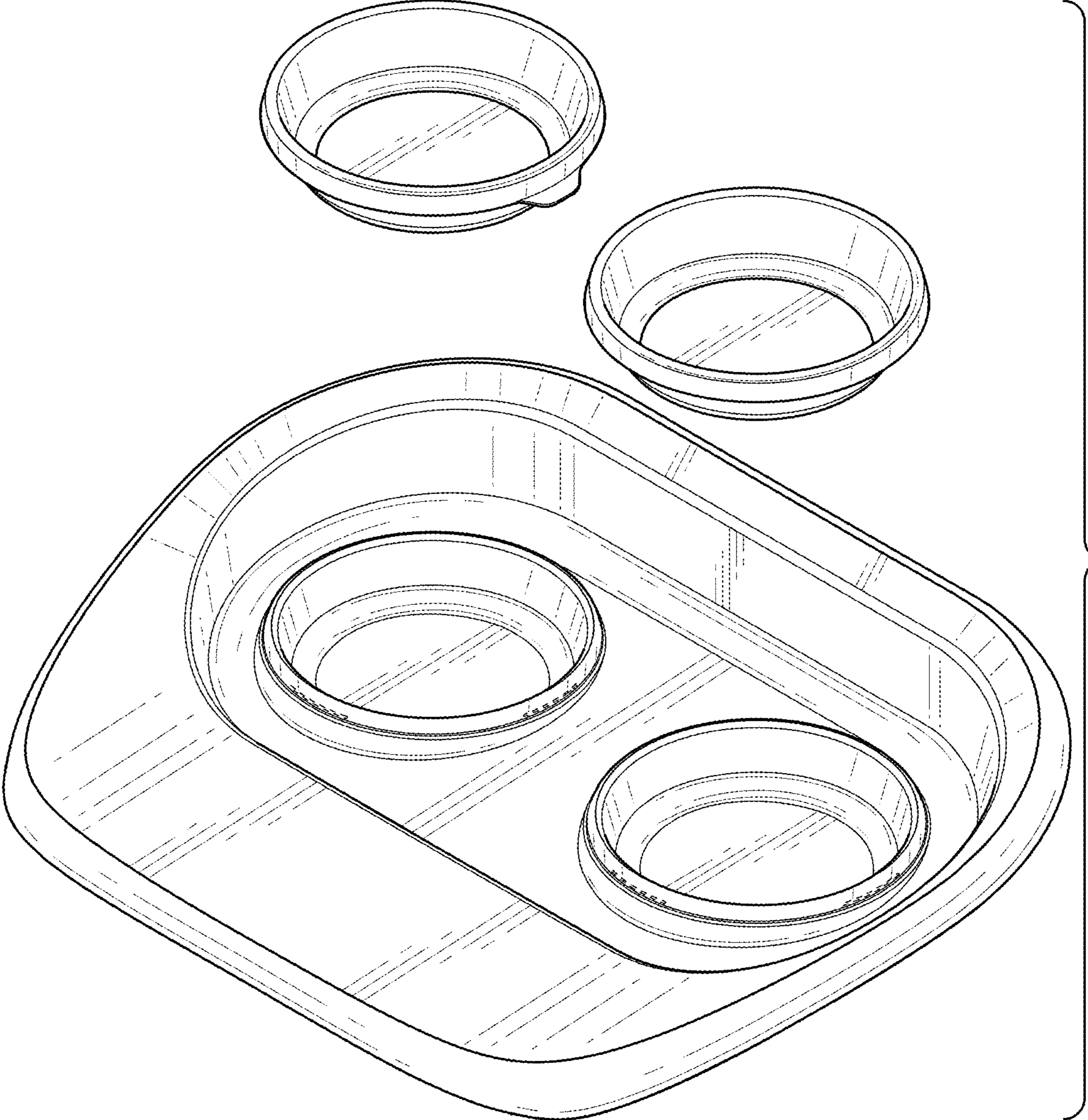


FIG. 7