



US00D978444S

(12) **United States Design Patent** (10) **Patent No.:** **US D978,444 S**  
**Chen** (45) **Date of Patent:** **\*\* Feb. 14, 2023**

(54) **ELECTRONIC EARMUFF**  
(71) Applicant: **Zubang Chen**, Ningbo (CN)  
(72) Inventor: **Zubang Chen**, Ningbo (CN)  
(\*\*) Term: **15 Years**  
(21) Appl. No.: **29/795,182**  
(22) Filed: **Jun. 17, 2021**  
(51) **LOC (14) Cl.** ..... **29-02**  
(52) **U.S. Cl.**  
USPC ..... **D29/112**  
(58) **Field of Classification Search**  
USPC ..... D29/100, 102, 105, 106, 108, 112, 122;  
D14/205, 223; D2/870, 878, 891  
CPC ..... A42B 3/16; A42B 3/163; A42B 3/166;  
A61F 11/06; A61F 11/08; A61F 11/10;  
A61F 11/12; A61F 11/14; A61F  
2011/085; H04R 1/10; H04R 1/1008;  
H04R 1/1016; H04R 1/105; H04R  
1/1058; H04R 1/1066; H04R 1/1075;  
H04R 1/1083; H04R 5/0335; H04R  
25/652; H04R 25/654; H04R 25/656;  
A63B 71/10  
See application file for complete search history.

(56) **References Cited**

**U.S. PATENT DOCUMENTS**

D298,670 S \* 11/1988 Palmaer ..... D29/112  
D313,092 S \* 12/1990 Nilsson ..... D29/112  
D336,647 S \* 6/1993 Yamazaki ..... D14/205  
D390,564 S \* 2/1998 Savona ..... D29/112  
D403,126 S \* 12/1998 Scanlon ..... D29/112  
D413,413 S \* 8/1999 Dillon ..... D29/112  
D434,191 S \* 11/2000 Emilsson ..... D29/112  
6,449,806 B1 \* 9/2002 Engelhard ..... H04R 5/0335  
381/376  
7,172,052 B2 \* 2/2007 Lenhard-Backhaus .....  
H04R 1/1066  
181/129  
D541,483 S \* 4/2007 Birgersson ..... D29/112  
7,335,222 B1 \* 2/2008 Tyler ..... A61F 11/06  
607/108

D584,715 S \* 1/2009 Brennwald ..... D14/205  
D651,764 S \* 1/2012 Gresko ..... A61F 11/14  
D29/112  
D674,372 S \* 1/2013 Kelly ..... D14/205  
8,767,996 B1 \* 7/2014 Lin ..... H04R 1/1091  
381/370  
D736,475 S \* 8/2015 Fletcher ..... D29/112  
D747,557 S \* 1/2016 Bonney ..... D29/112  
D753,884 S \* 4/2016 Bonney ..... D29/112  
D766,520 S \* 9/2016 Fletcher ..... D29/112  
D780,378 S 2/2017 Chow  
(Continued)

**OTHER PUBLICATIONS**

Electronic Ear Muffs: Over-the-Head Earmuff, 25 dB NRR, 3.5mm Stereo, Listen, [\*Primary Examiner\* — Elizabeth J Oswecki  
\(74\) \*Attorney, Agent, or Firm\* — Rumit Ranjit Kanakia](https://www.grainger.com/product/6TUK8?ef_id=EA1aIQobChMI7qS1jM_k-AIVjv7jBx2EJAx4EAQYBSABEgKBNPD_BwE:G:s&s_kwid=AL!296613!496359977977!!!g!1713602127327!&gucid=N:N:PS:Paid:GGL:CSM-2295:4P7A1P:20501231&gclidn,copyright 2022. (Year: 2022).*</p><p>(Continued)</p></div>
<div data-bbox=)

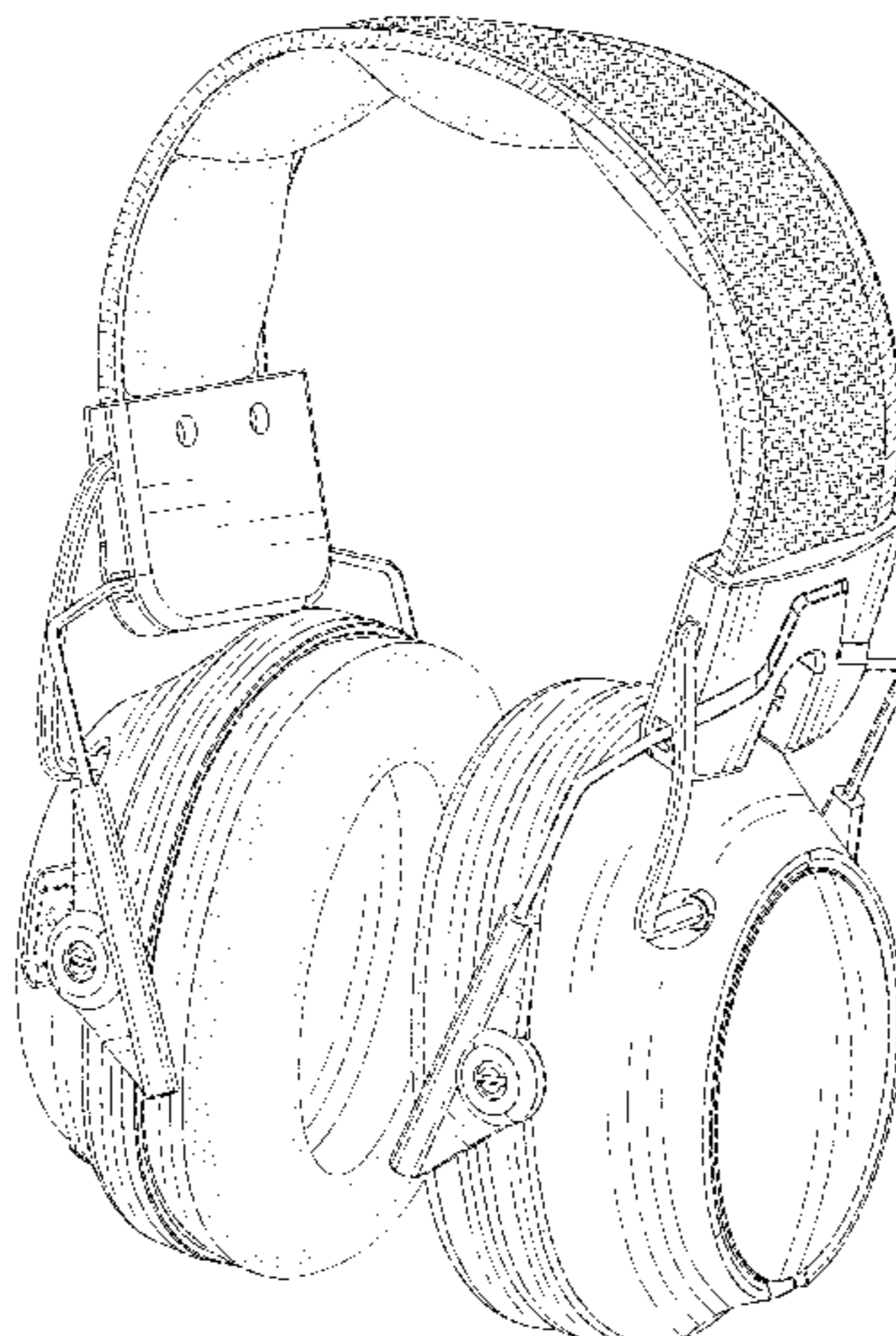
(57) **CLAIM**

The ornamental design for an electronic earmuff, as shown and described.

**DESCRIPTION**

FIG. 1 is a perspective view of an electronic earmuff showing my new design;  
FIG. 2 is a front view thereof;  
FIG. 3 is a rear view thereof;  
FIG. 4 is a right-side view thereof;  
FIG. 5 is a left-side view thereof;  
FIG. 6 is a top view thereof; and,  
FIG. 7 is a bottom view thereof.  
The broken lines in the drawings depict portions of the electronic earmuff that form no part of the claimed design.

**1 Claim, 7 Drawing Sheets**



(56)

References Cited

U.S. PATENT DOCUMENTS

D800,691 S \* 10/2017 Ando ..... D14/205  
 D805,257 S 12/2017 Maansson et al.  
 D805,697 S \* 12/2017 Pratley ..... D29/112  
 D809,475 S \* 2/2018 Dryden ..... D14/205  
 D830,331 S \* 10/2018 Petersen ..... D14/205  
 D830,333 S \* 10/2018 Carr ..... D14/205  
 D834,260 S \* 11/2018 Garcia Mansilla ..... D29/112  
 D837,763 S \* 1/2019 Suzuki ..... D14/205  
 D848,679 S \* 5/2019 Wilson ..... D29/112  
 D851,839 S \* 6/2019 Scanlon ..... D29/112  
 D863,690 S 10/2019 Chen  
 D864,900 S \* 10/2019 Miller ..... D14/205  
 D868,732 S 12/2019 Jaspers  
 D885,683 S 5/2020 Qiu  
 D890,438 S \* 7/2020 Xu ..... D29/112  
 D901,435 S \* 11/2020 Petersen ..... D14/205  
 D933,041 S \* 10/2021 Rois ..... D14/205  
 D941,799 S \* 1/2022 Hu ..... D14/205

D943,548 S \* 2/2022 Wang ..... D14/205  
 D945,981 S \* 3/2022 Rois ..... D14/205  
 D954,019 S \* 6/2022 Shyu ..... D14/205  
 2013/0340769 A1\* 12/2013 Roos ..... A61F 11/14  
 128/866  
 2015/0281828 A1\* 10/2015 Horikawa ..... H04R 1/1058  
 381/371  
 2018/0220219 A1\* 8/2018 Karacal ..... H04R 1/1041  
 2018/0316999 A1\* 11/2018 Bellas ..... H04R 1/1008  
 2019/0314207 A1\* 10/2019 Bui ..... H04R 1/1075

OTHER PUBLICATIONS

Ear Muffs: Over-the-Head Earmuff, Passive, 25 dB NRR, Foldable, Dielectric, [\\* cited by examiner](https://www.grainger.com/product/56GL83?ef_id=EAAlaIQobChMI7qS1jM_k-AIVjv7jBx2EJAx4EAKYBCABEgJxEfD_BwE:G:s&s_kwcid=AL!2966!3!496359977977!!!g!1713602127327!&gucid=N:N:PS:Paid:GGL:CSM-2295:4P7A1P:20501231&gclid, copyright 2022. (Year: 2022).*</a></p>
</div>
<div data-bbox=)

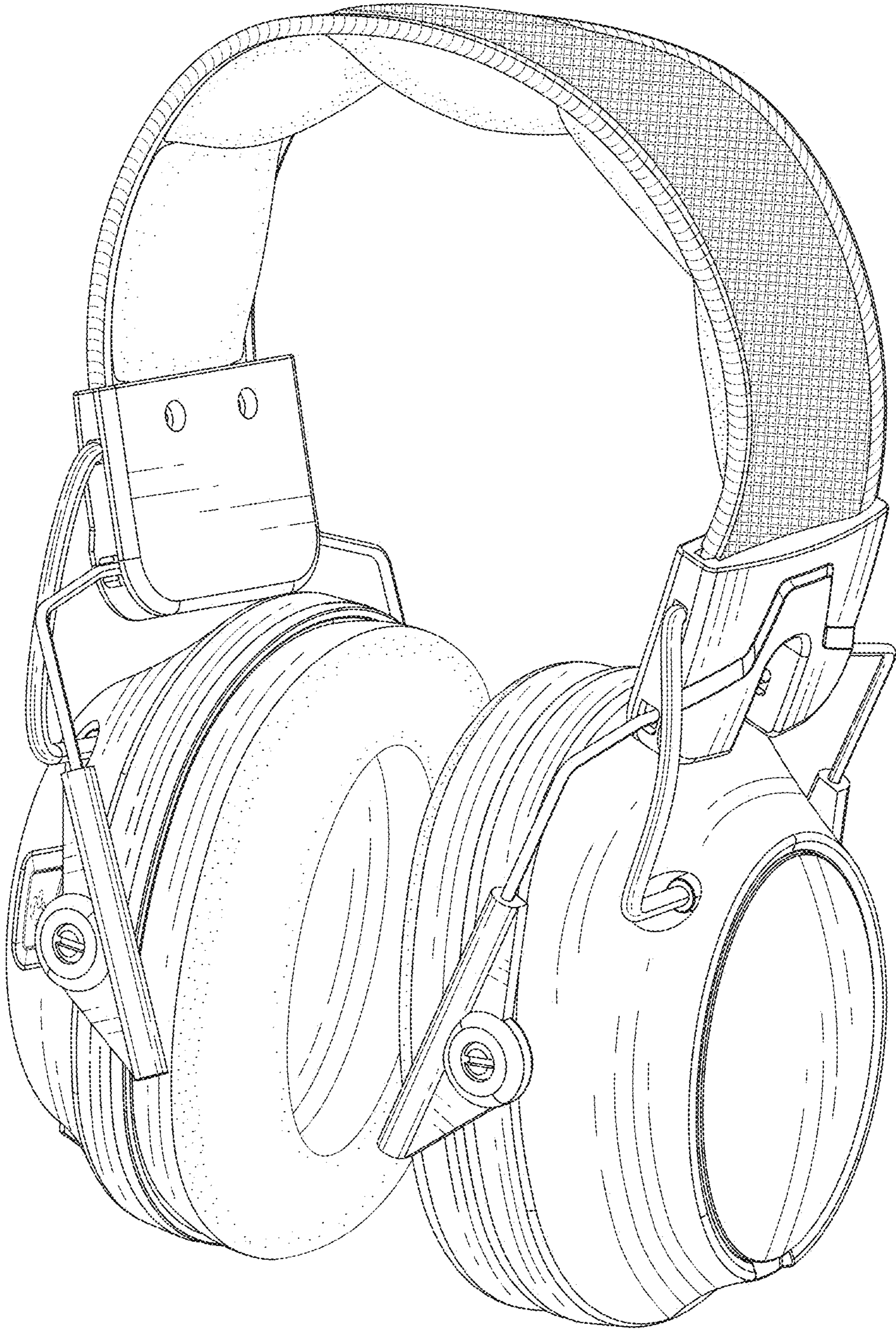


FIG.1

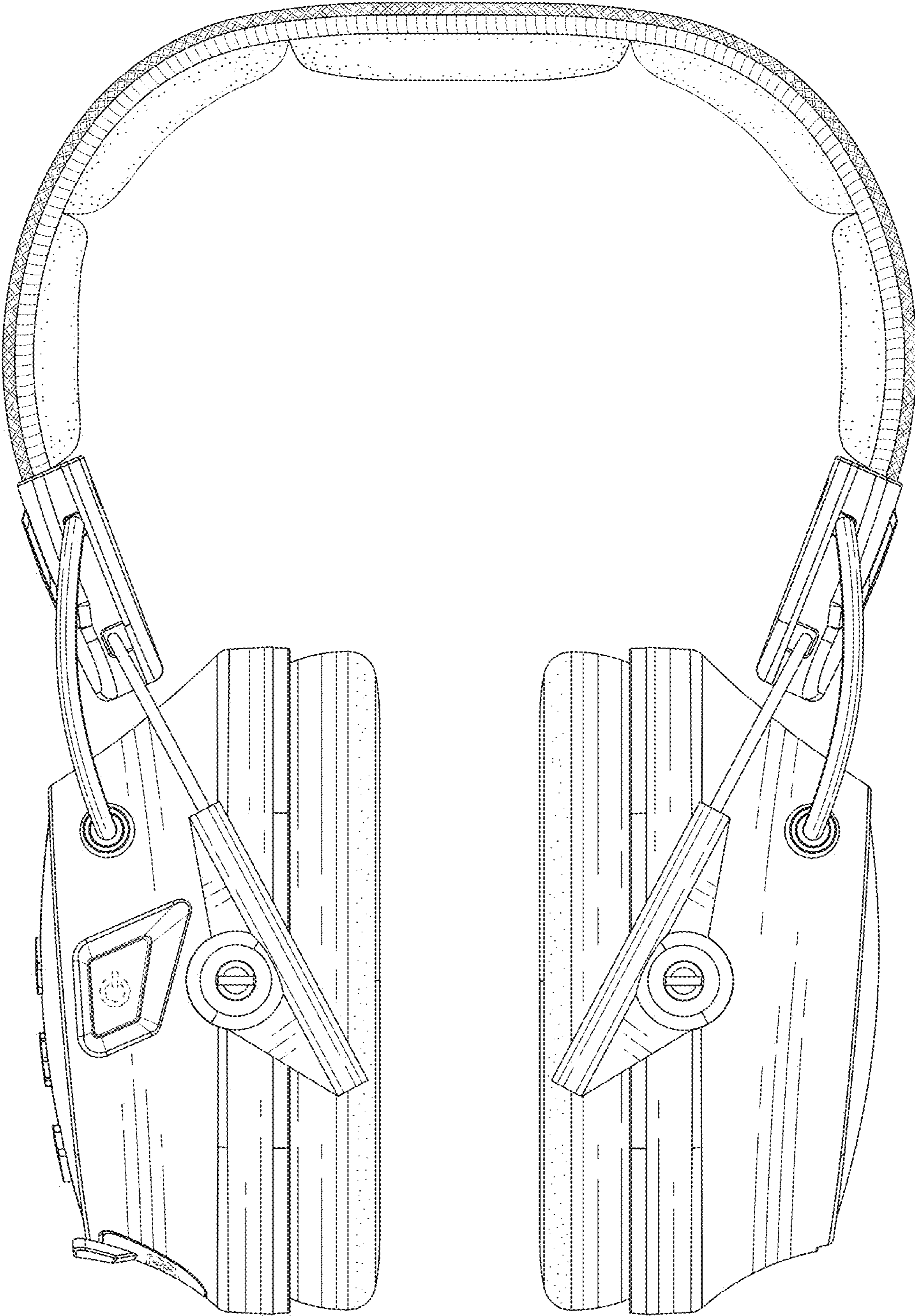


FIG.2

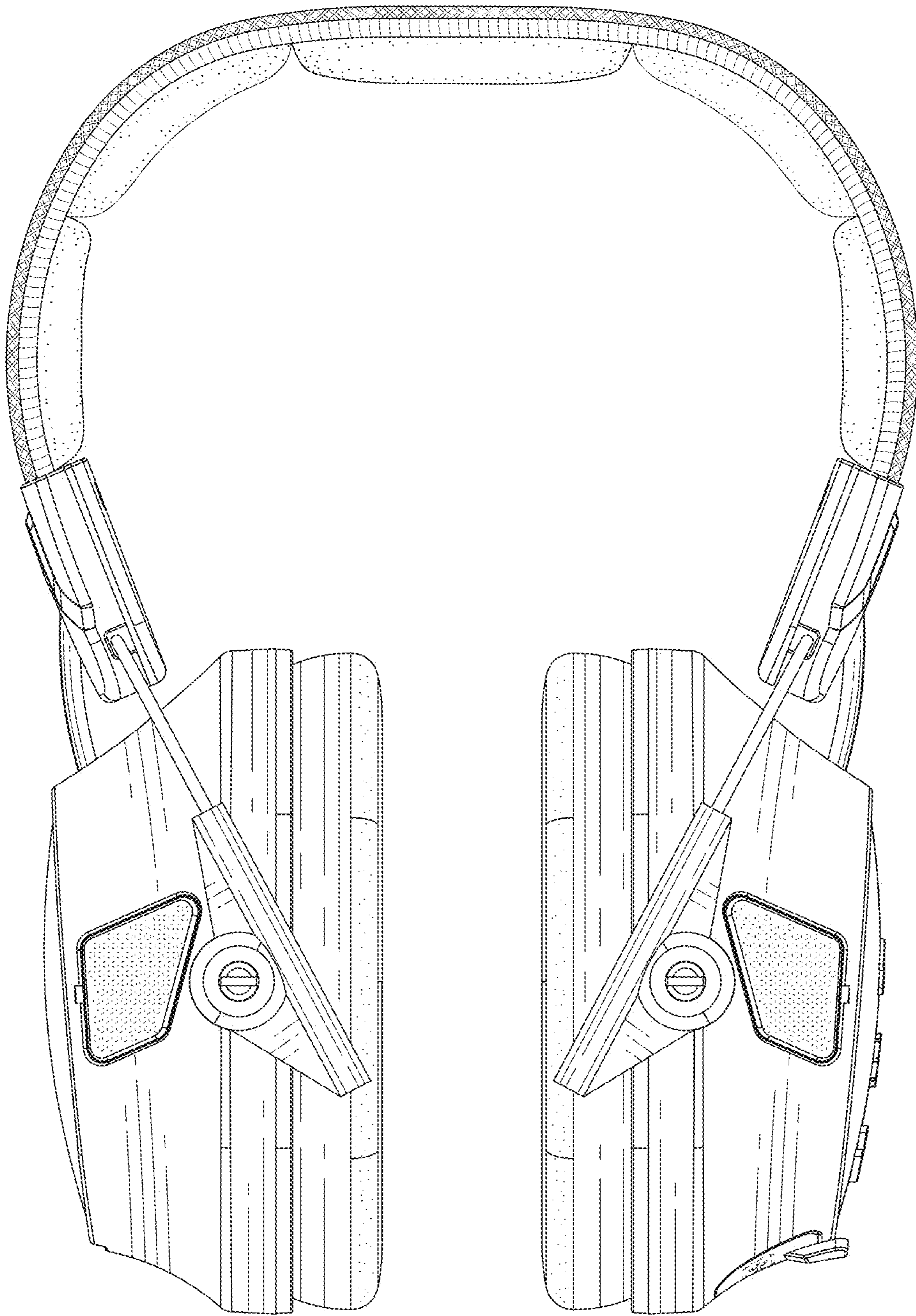


FIG.3

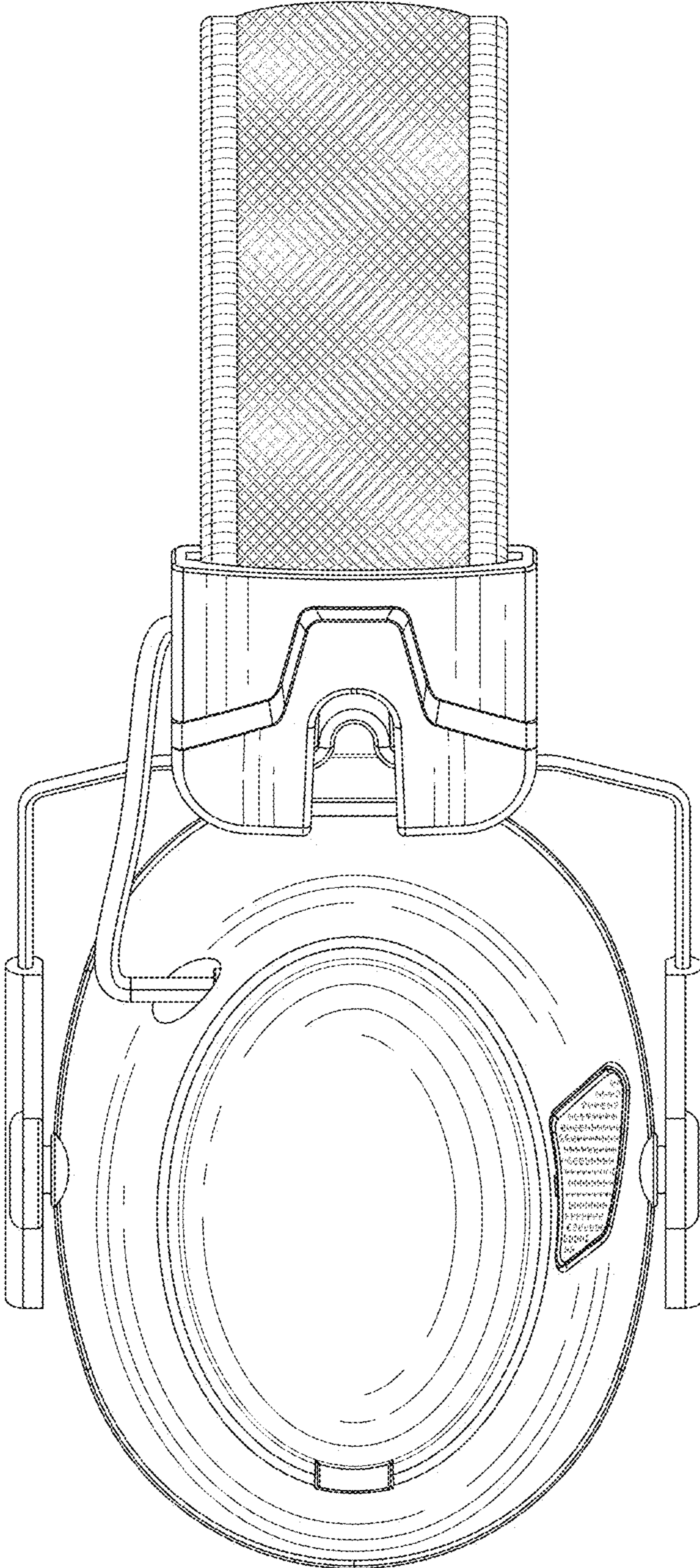


FIG.4

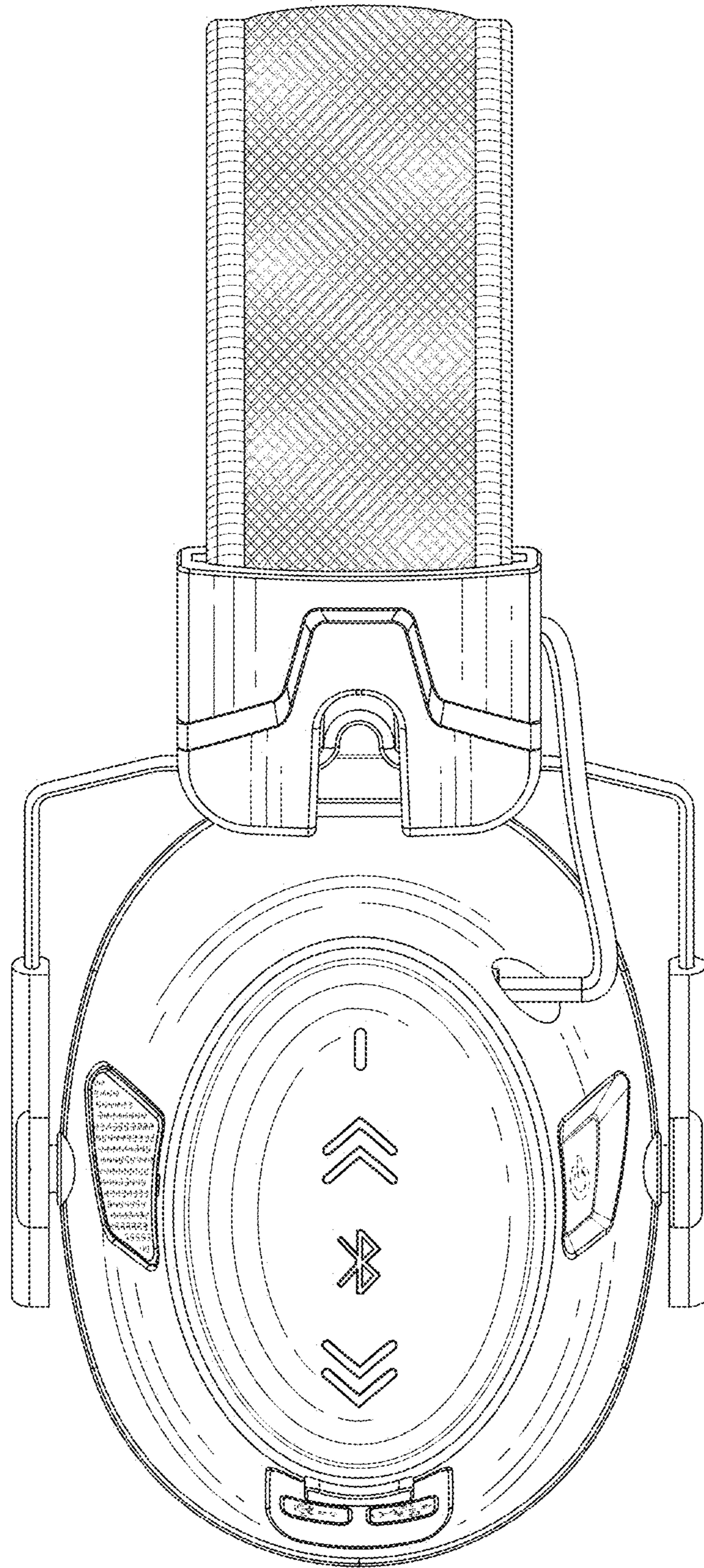


FIG.5

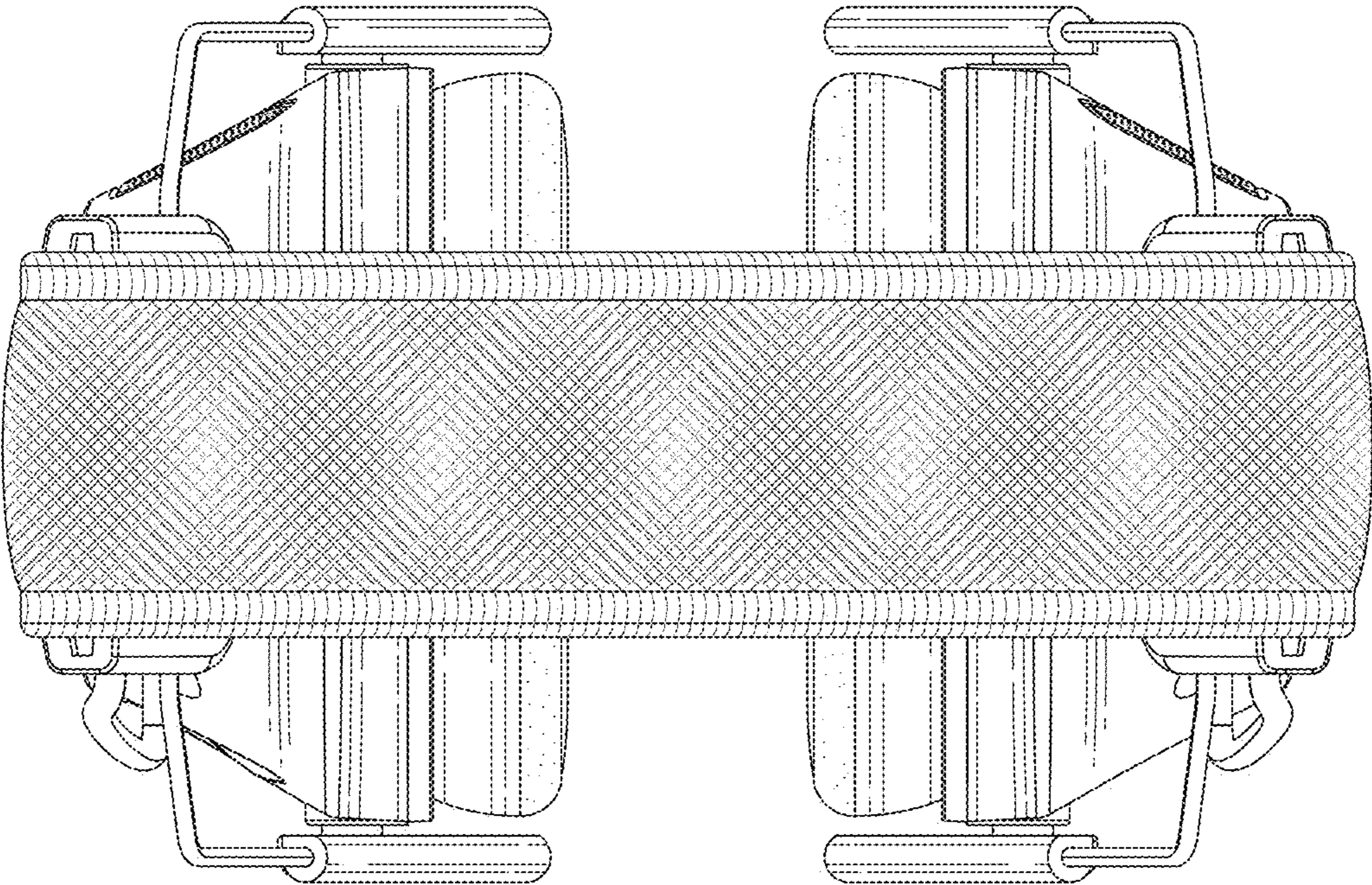


FIG.6



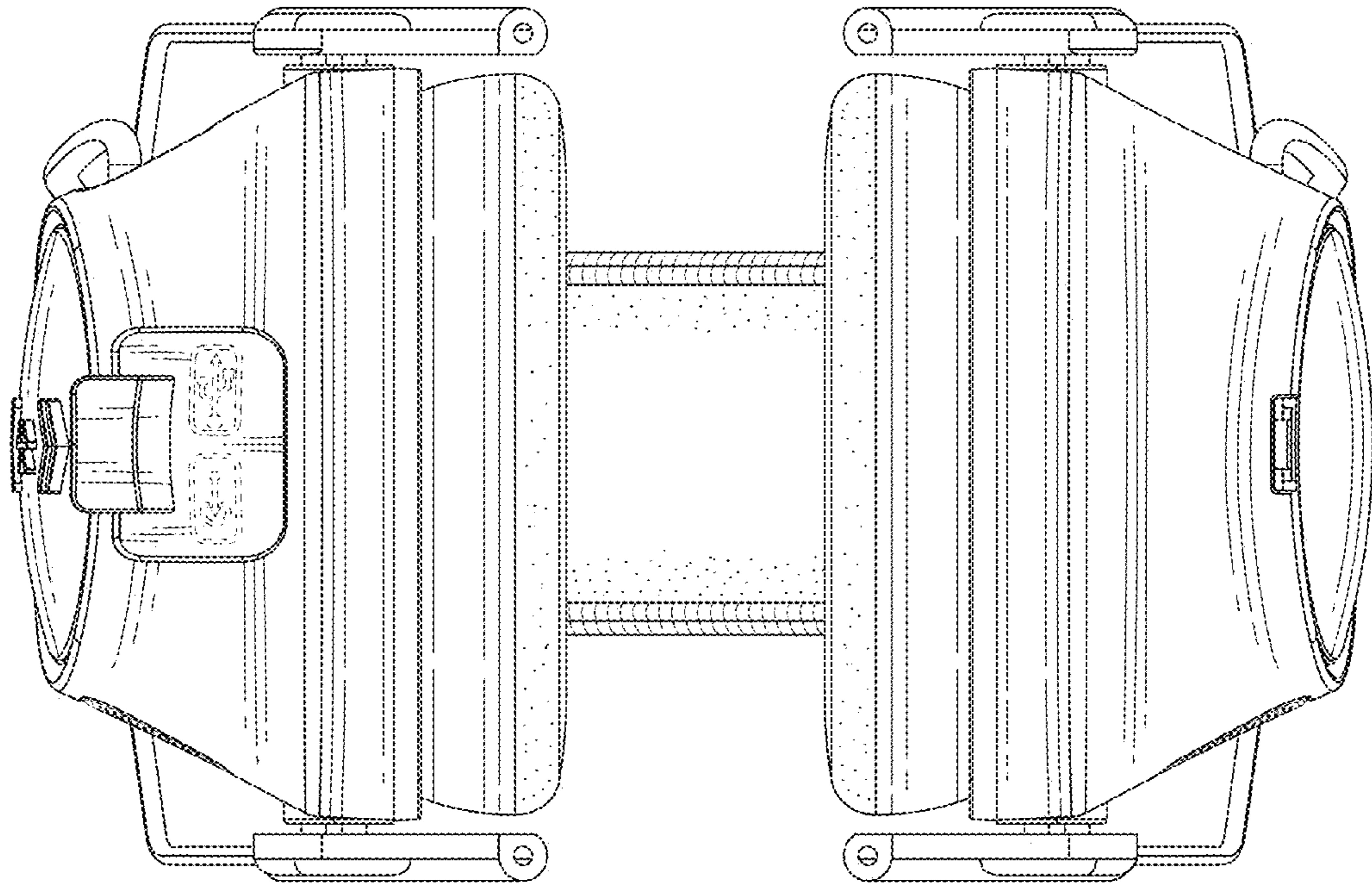


FIG.7