



US00D978443S

(12) **United States Design Patent** (10) **Patent No.:** **US D978,443 S**
Jager et al. (45) **Date of Patent:** **** Feb. 14, 2023**

(54) **HEARING PROTECTOR**
(71) Applicant: **3M INNOVATIVE PROPERTIES COMPANY**, St. Paul, MN (US)

D747,557 S * 1/2016 Bonney D29/112
D752,816 S * 3/2016 Fletcher D29/112
D753,884 S * 4/2016 Bonney D29/112
(Continued)

(72) Inventors: **Gregory G. Jager**, Oakdale, MN (US);
Douglas D. Fletcher, Woodbury, MN (US);
Jason T. Lunn, Mahtomedi, MN (US);
Eric O. Hemberg, Shatin (HK);
Oscar M. Hemberg, Dalarö (SE);
Anders P. Hellberg, Kowloon (HK);
Marco D'Adamo, Sai Ying Pun (HK)

FOREIGN PATENT DOCUMENTS

CN 304474960 * 1/2018
EM 008481485-0001 * 4/2021

(73) Assignee: **3M Innovative Properties Company**, St. Paul, MN (US)

OTHER PUBLICATIONS

3M Pro-Protect Wireless Gel Electronic Hearing Protector, available in Amazon.com, date first available Feb. 12, 2021 [online], [site visited Sep. 14, 2022], Available from the internet URL: <https://www.amazon.com/3M-Pro-Protect-Electronic-Protector-Technology/dp/B08WK79727> (Year: 2021).*

(**) Term: **15 Years**

(Continued)

(21) Appl. No.: **29/753,638**

Primary Examiner — Jennifer L Rempfer

(22) Filed: **Oct. 1, 2020**

Assistant Examiner — Elizabeth Anne Glassberg

(51) **LOC (14) Cl.** **29-02**

(74) *Attorney, Agent, or Firm* — Ann K. Gallagher

(52) **U.S. Cl.**
USPC **D29/112**

(57) **CLAIM**

(58) **Field of Classification Search**
USPC D2/870, 872, 875, 878, 894; D14/205;
D28/41; D29/100, 102, 103, 104, 105,
D29/106, 107, 108, 110, 112, 122
CPC A42B 3/04; A42B 3/18; A42B 3/20; A42B
3/185; A42B 3/226; A42B 3/0406; A63B
71/08; A63B 71/10

The ornamental design for a hearing protector, as shown and described.

See application file for complete search history.

DESCRIPTION

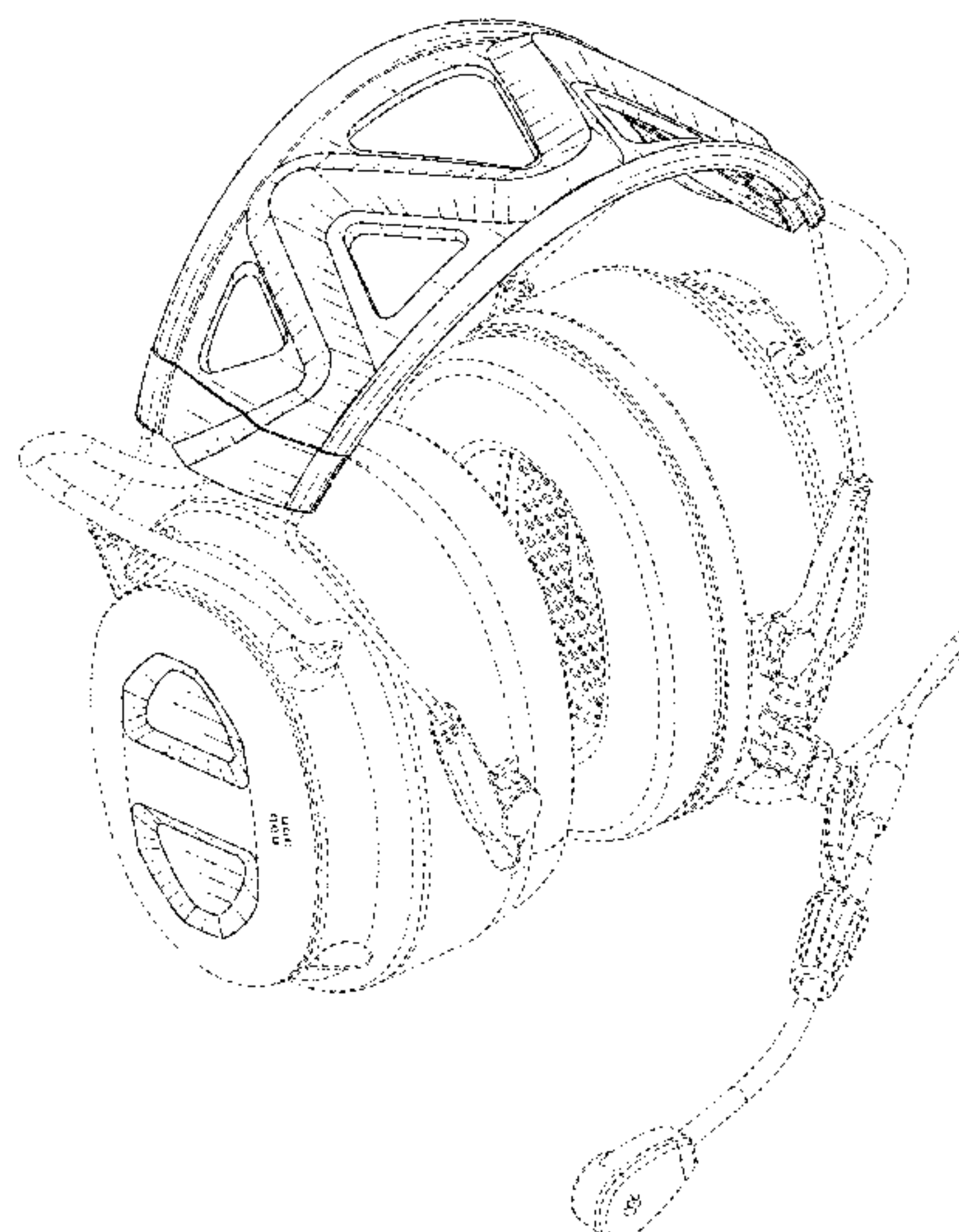
(56) **References Cited**

FIG. 1 is a perspective view showing the new design for a hearing protector;
FIG. 2 is a rear view thereof;
FIG. 3 is a front view thereof;
FIG. 4 is a left side view thereof;
FIG. 5 is a right side view thereof;
FIG. 6 is a top view thereof; and,
FIG. 7 is a bottom view thereof.
The portions of the hearing protector in FIGS. 1-7 shown in broken lines are included to show features that form no part of the claimed design.

U.S. PATENT DOCUMENTS

D70,296 S * 6/1926 Skaruda D28/41
D254,183 S * 2/1980 Doodson D14/205
D254,616 S * 4/1980 Tabata D14/205
D376,598 S * 12/1996 Hayashi D14/206
D403,126 S * 12/1998 Scanlon D29/112
D434,191 S * 11/2000 Emilsson D29/112
D663,902 S * 7/2012 Karlsson A61F 11/14
D29/122

1 Claim, 7 Drawing Sheets



(56)

References Cited

U.S. PATENT DOCUMENTS

D763,518 S *	8/2016	Fletcher	D29/112
D765,313 S *	8/2016	Bernal	D28/41
D788,071 S *	5/2017	Logan	D14/205
D805,257 S *	12/2017	Maansson	D29/112
D807,585 S *	1/2018	Fletcher	D29/112
D830,642 S *	10/2018	Fletcher	D29/112
D843,343 S *	3/2019	Paterson	D14/205
D868,732 S *	12/2019	Jaspers	D14/205
D885,683 S *	5/2020	Qiu	D29/112
D902,496 S *	11/2020	Bui	D29/112
D929,365 S *	8/2021	Dubreucq	D14/206
D933,041 S *	10/2021	Rois	D14/205
D937,806 S *	12/2021	Akana	D14/205
D941,798 S *	1/2022	Lindell	D14/206
D943,548 S *	2/2022	Wang	D14/205
D944,759 S *	3/2022	Vaclavik	A61F 11/14 D14/205

OTHER PUBLICATIONS

EPOS I Sennheiser GSP 602, available in Amazon.ca, date first available Jul. 23, 2020 [online], [site visited Sep. 14, 2022], Available from the internet URL: <https://www.amazon.ca/EPOS-Sennheiser-GSP-602-Noise-Cancelling/dp/B08DFXYB2T> (Year: 2020).*

QcoQce Z15 Gaming Headset PS4 Headset, available in Amazon.ca, date first available Jun. 16, 2020 [online], [site visited Sep. 14, 2022], Available from the internet URL: <https://www.amazon.ca/Canceling-Aluminum-Earmuffs-Surround-Headphones/dp/B0886H5W6Z?th=1> (Year: 2020).*

Metal Headbandsblack Headbandtoddler Headbandwomen, available in etsy.com, announced 2022 [online], [site visited Sep. 14, 22], Internet URL: <https://www.etsy.com/listing/966956722/metal-headbandsblack-headbandtoddler> (Year: 2022).*

* cited by examiner

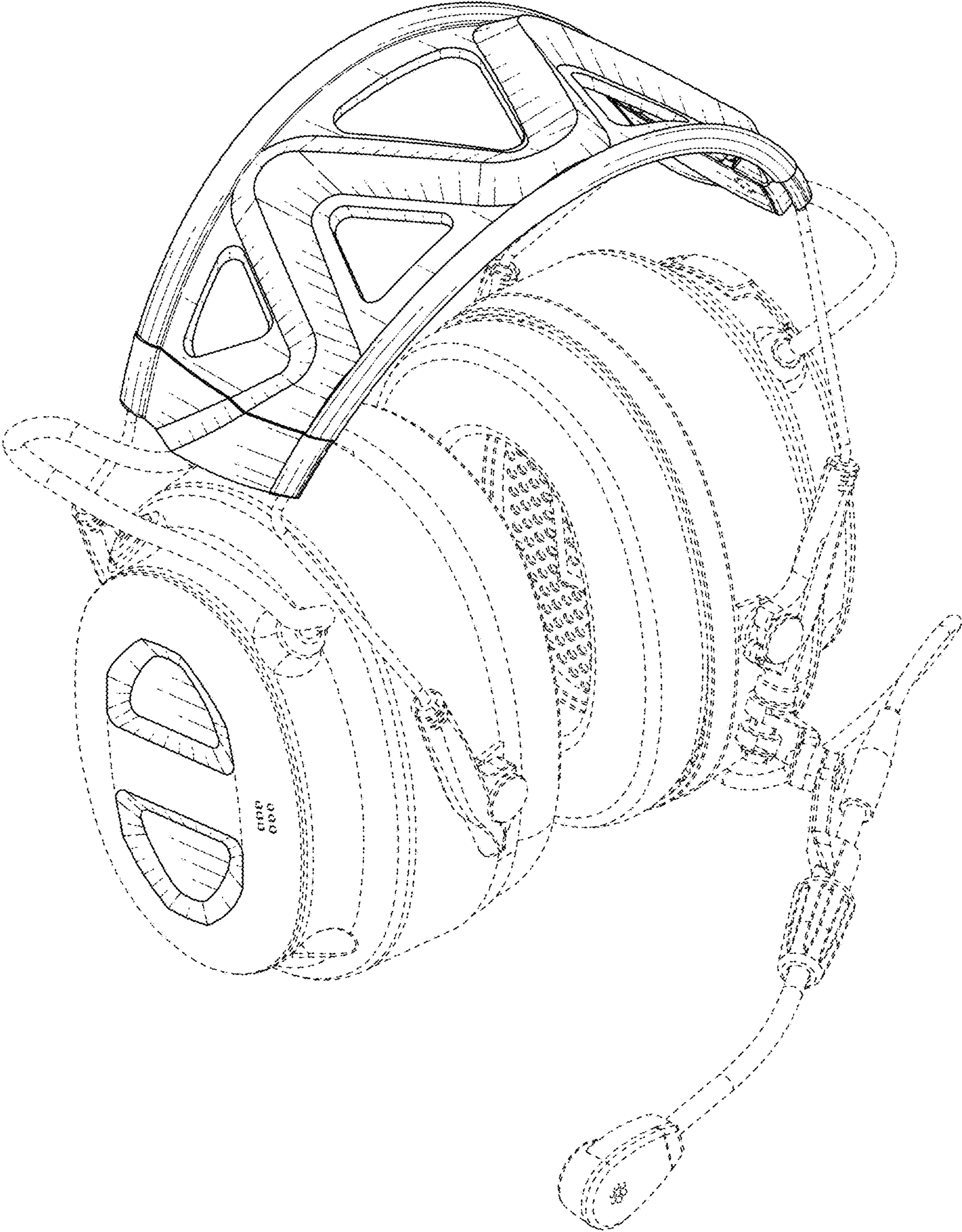


FIG. 1

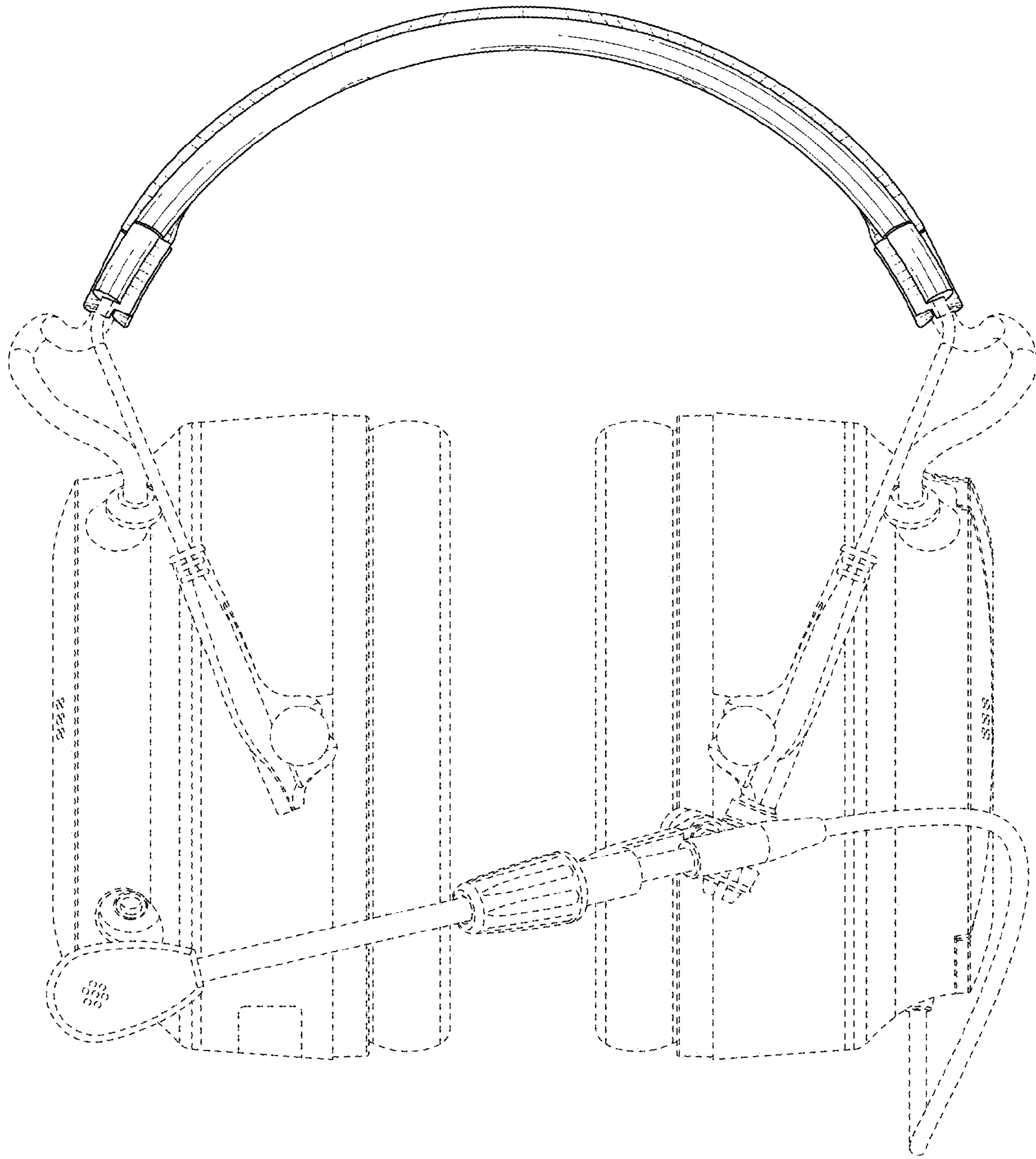


FIG. 2

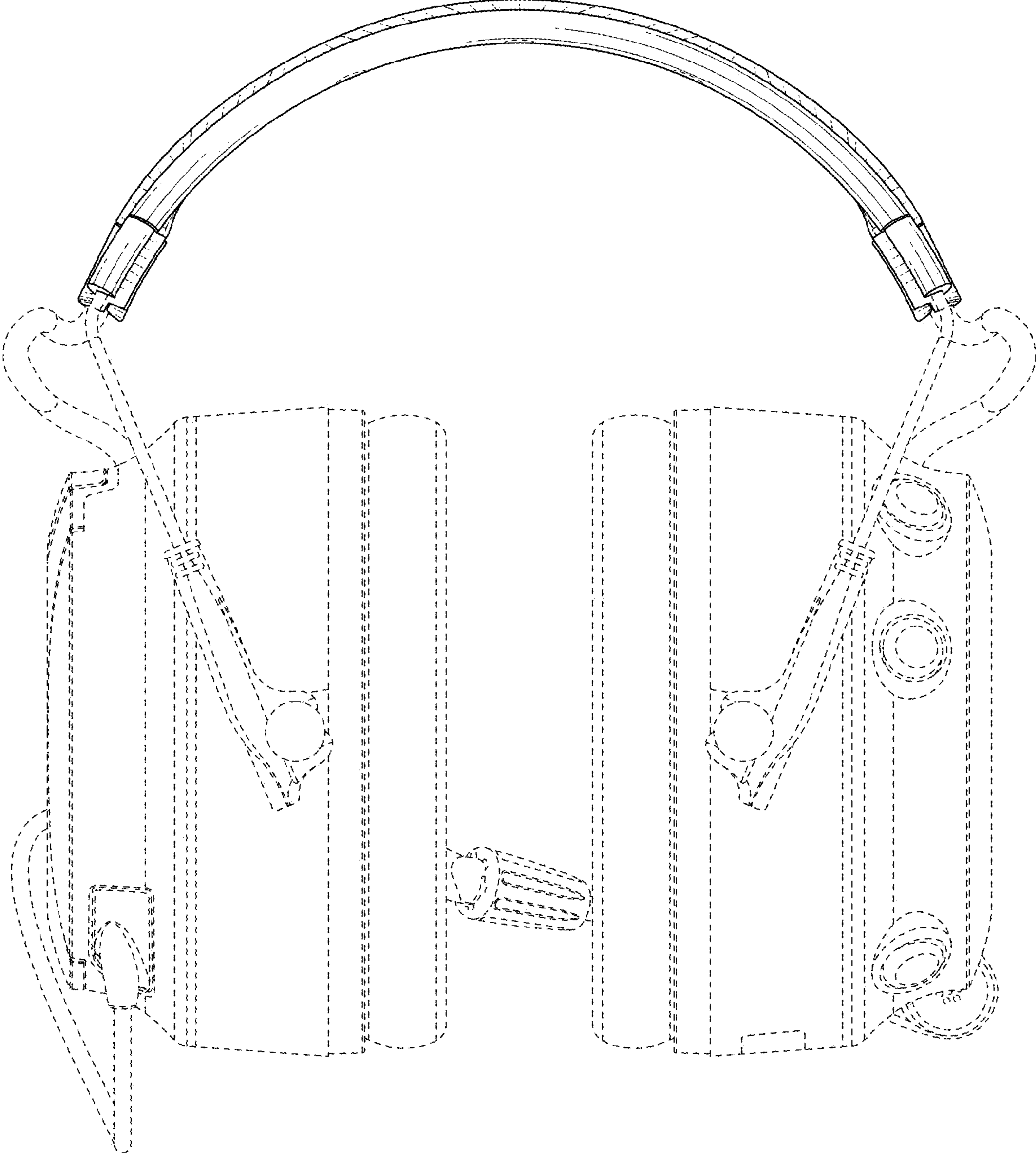


FIG. 3

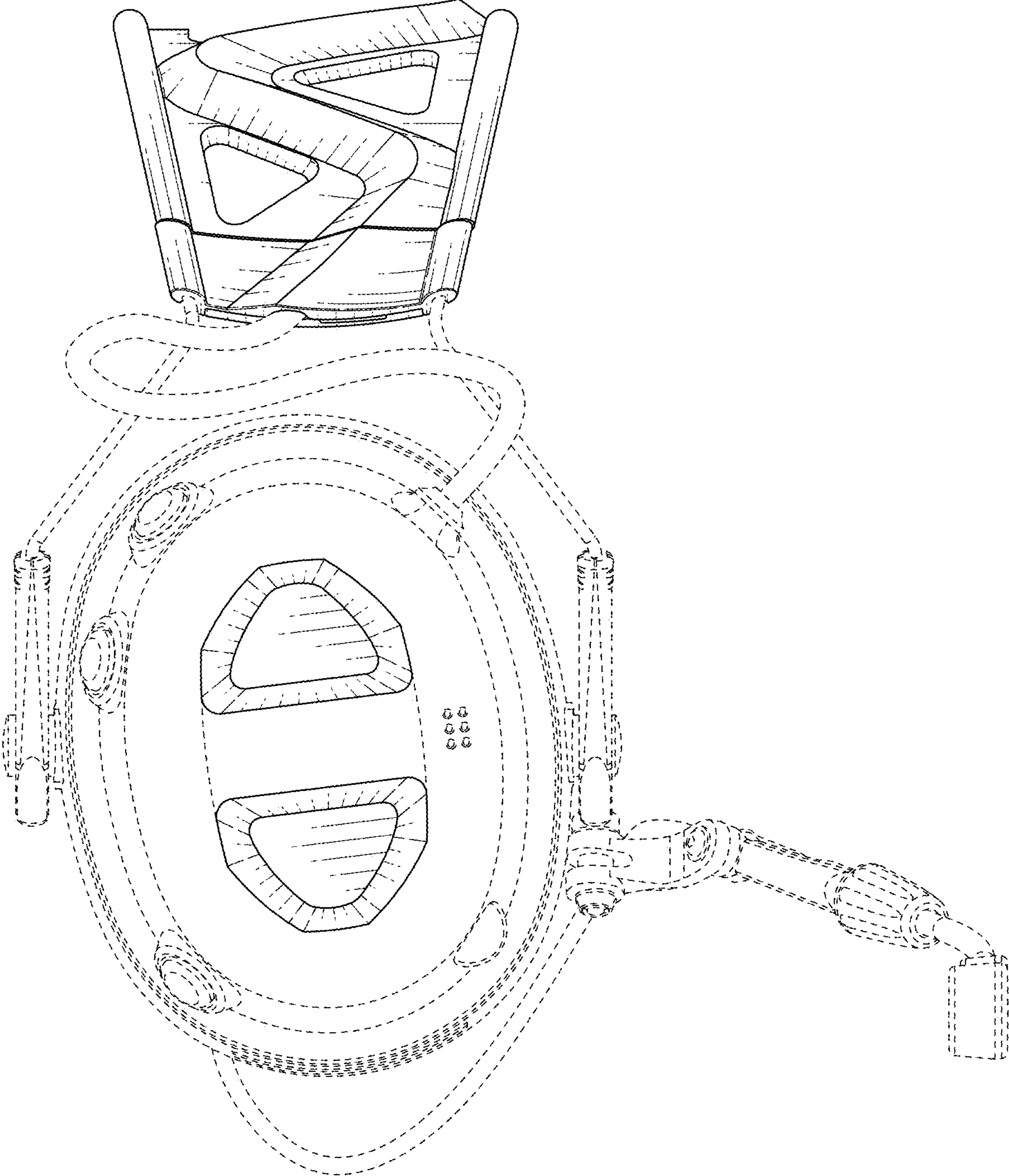


FIG. 4

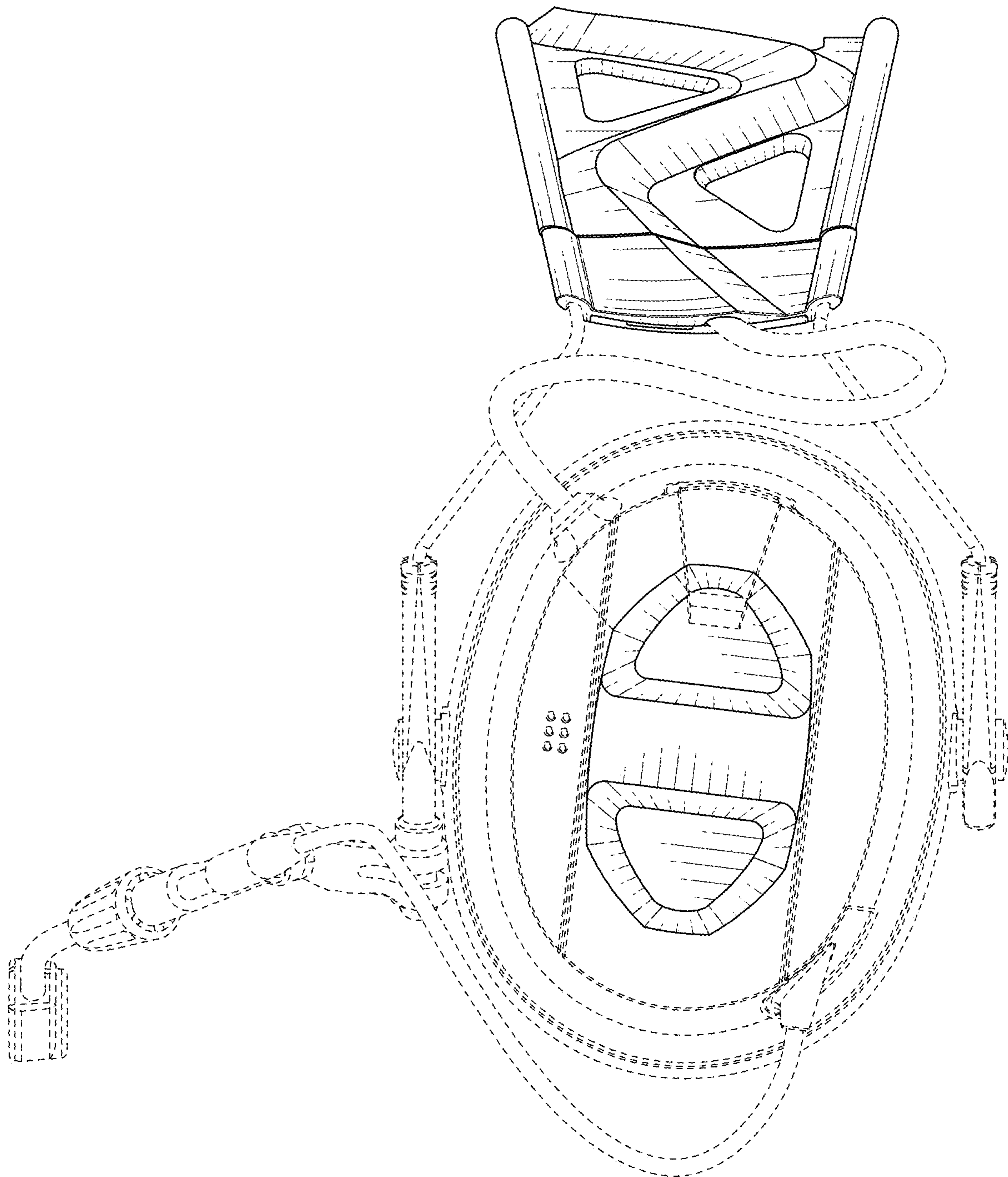


FIG. 5

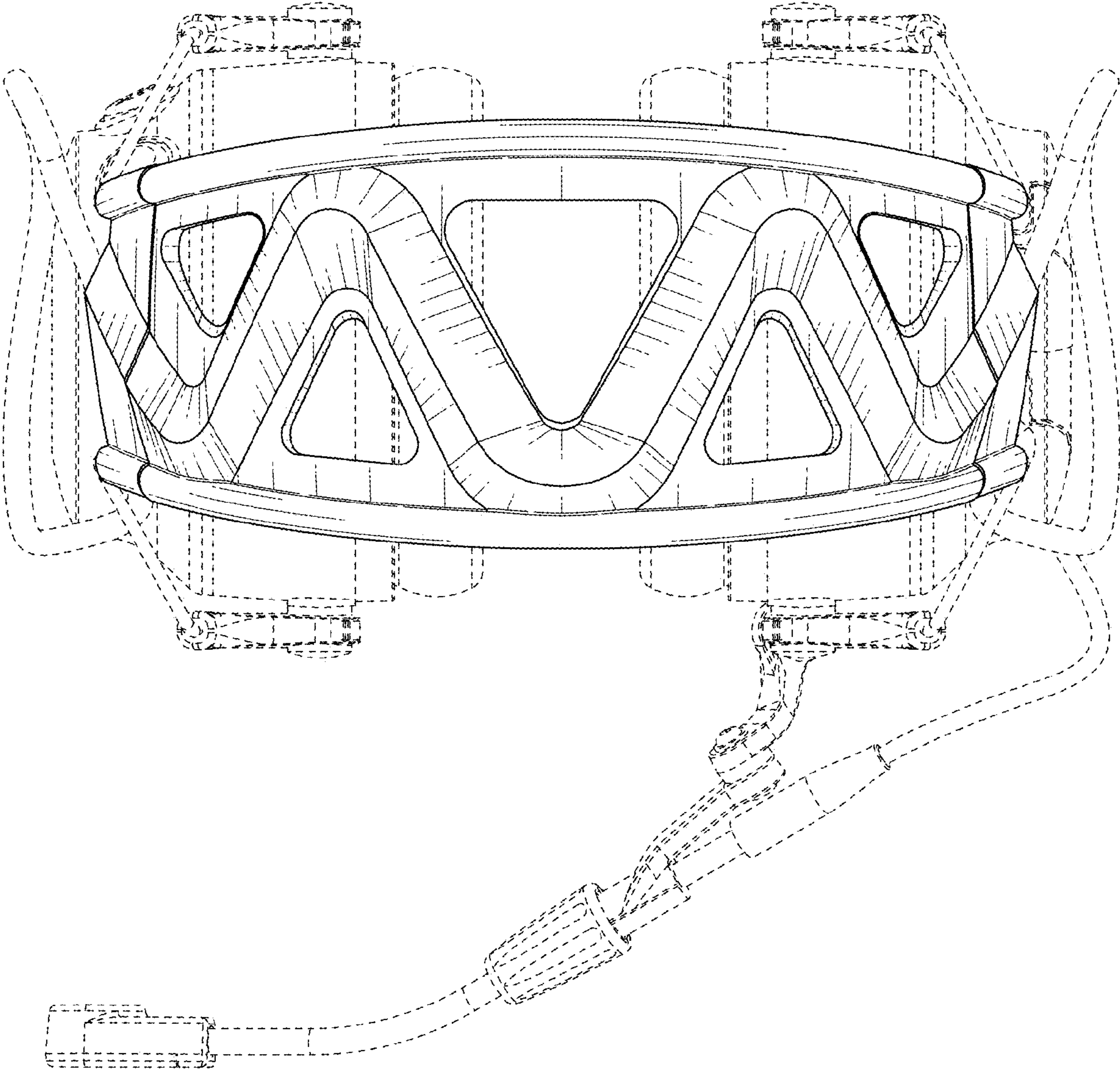


FIG. 6

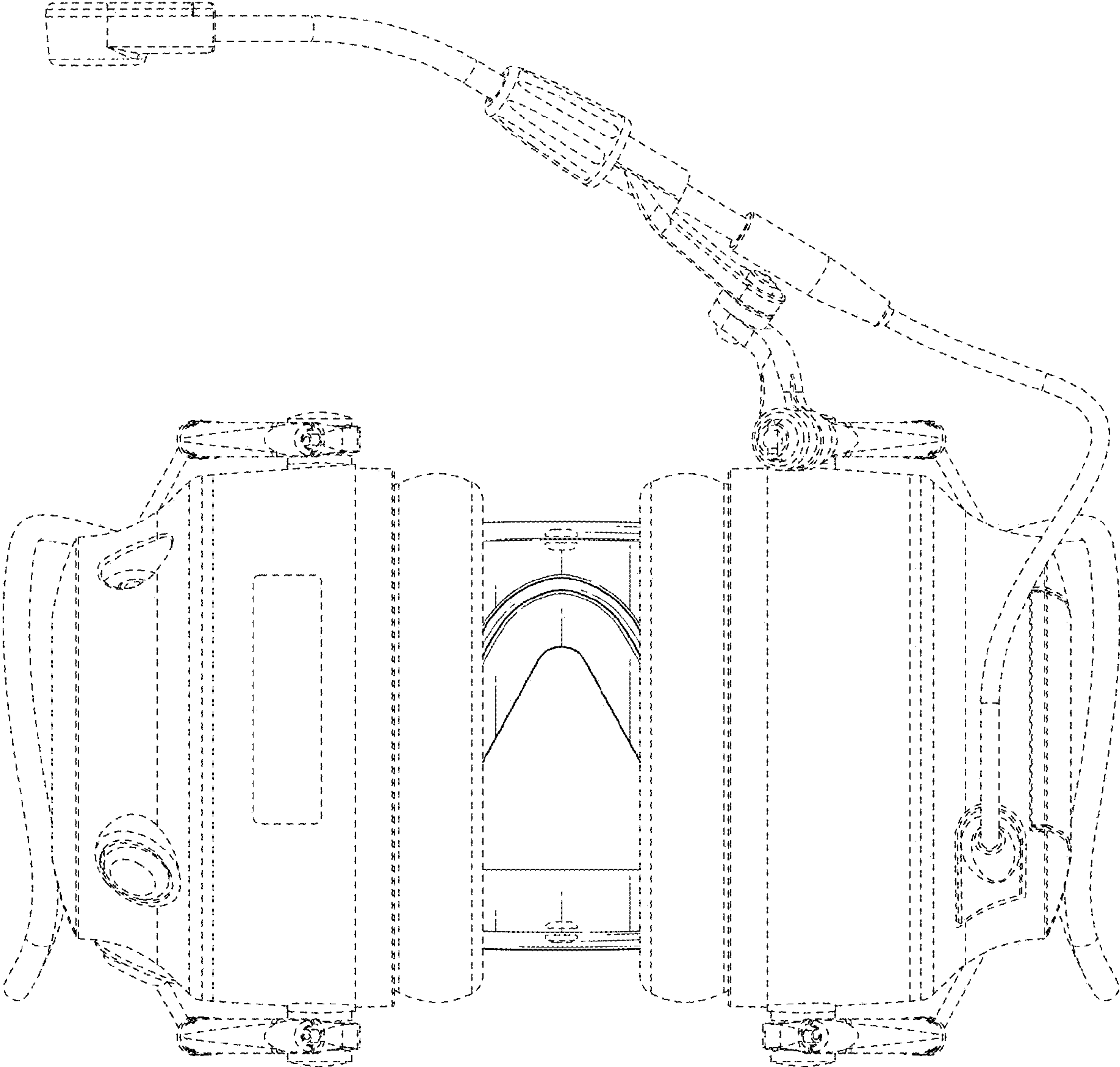


FIG. 7