



US00D978437S

(12) **United States Design Patent** (10) **Patent No.:** **US D978,437 S**  
**Ishida** (45) **Date of Patent:** **\*\* Feb. 14, 2023**

(54) **NAIL CLIPPERS**

(71) Applicant: **Green Bell Co., Ltd.**, Osaka (JP)

(72) Inventor: **Itsuto Ishida**, Osaka (JP)

(73) Assignee: **Green Bell Co., Ltd.**, Osaka (JP)

(\*\*) Term: **15 Years**

(21) Appl. No.: **29/774,123**

(22) Filed: **Mar. 15, 2021**

(51) **LOC (14) Cl.** ..... **28-03**

(52) **U.S. Cl.**  
USPC ..... **D28/60**

(58) **Field of Classification Search**  
USPC ..... D28/55, 57, 60, 61, 62, 91.2, 99;  
D30/158; D8/4, 52  
CPC ..... A45D 2/48; A45D 29/02; A45D 29/04;  
A45D 29/05; A45D 29/06; A45D 29/11;  
A45D 29/17; A45D 29/18; A45D 29/023;  
A45D 2029/026; A45D 2029/008; A45D  
34/00; B26B 13/22  
See application file for complete search history.

(56) **References Cited**

**U.S. PATENT DOCUMENTS**

3,986,257 A \* 10/1976 Kiura ..... A45D 29/023  
30/28  
5,524,344 A \* 6/1996 Bazal ..... A45D 29/02  
30/28  
D437,456 S \* 2/2001 Kim ..... D28/60  
D522,177 S \* 5/2006 Legras de Grandcourt .. D28/60  
D573,757 S \* 7/2008 Kim ..... D28/60  
D593,712 S \* 6/2009 Han ..... D28/60  
D813,460 S \* 3/2018 Ishida ..... D28/60  
10,383,424 B2 \* 8/2019 Kim ..... A45D 29/02  
D867,665 S \* 11/2019 Cacciotti ..... D28/60  
D899,692 S \* 10/2020 Ishida ..... D28/60

10,869,530 B2 \* 12/2020 Middelkoop ..... A01K 17/00  
2008/0168656 A1 \* 7/2008 Cho ..... A45D 29/02  
30/28  
2011/0061668 A1 \* 3/2011 Saenim ..... A45D 29/023  
30/28

**FOREIGN PATENT DOCUMENTS**

CN 306689388 \* 7/2021  
CN 307353245 \* 5/2022

**OTHER PUBLICATIONS**

Rakuten . . . [online]; [publication date unknown]; [retrieved from the internet on Oct. 18, 2022]; URL:https://item.rakuten.co.jp/rankup1709/g1117-030831/ (5 pages). (Year: 2022).\*

(Continued)

*Primary Examiner* — Jasmine Mlinarcik  
*Assistant Examiner* — Victoria A. Rielly  
(74) *Attorney, Agent, or Firm* — Welsh Flaxman & Gitler LLC

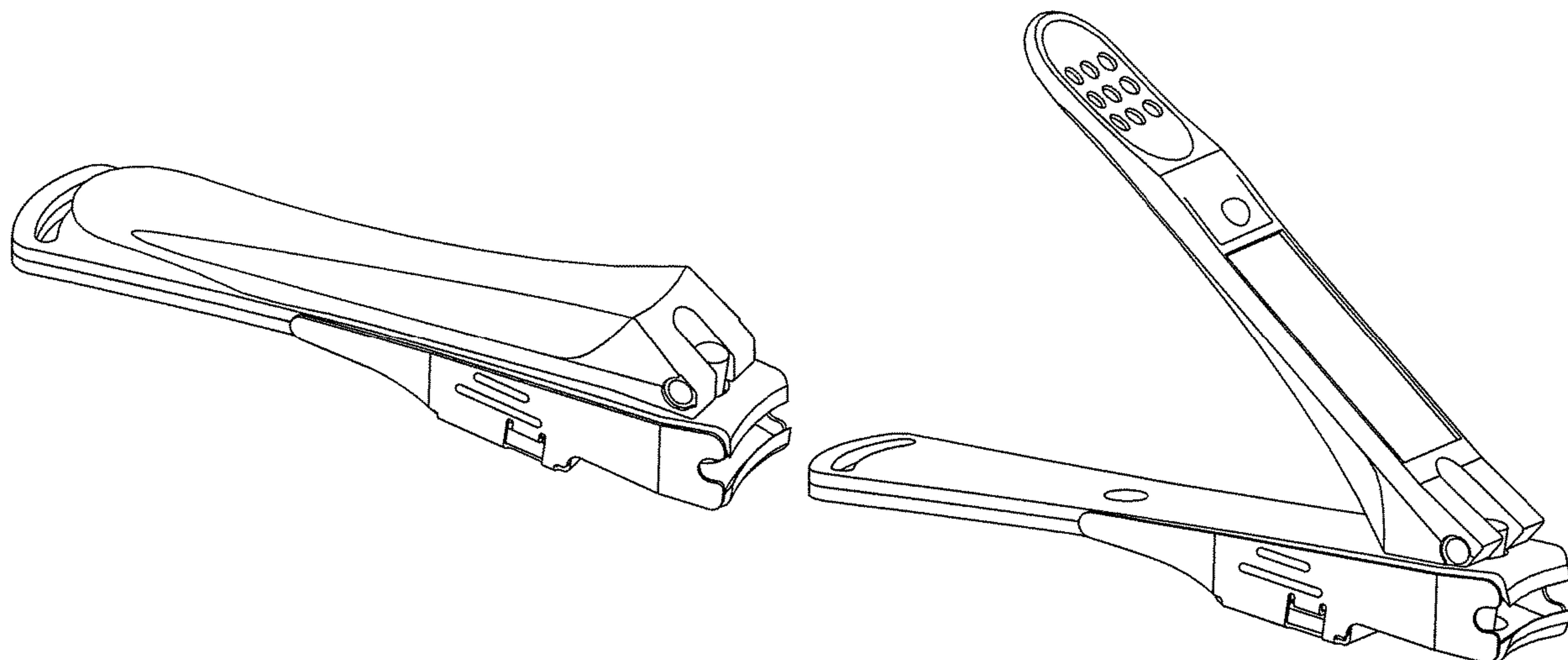
(57) **CLAIM**

The ornamental design for a nail clippers, as shown and described.

**DESCRIPTION**

FIG. 1 is right side elevation view of the nail clippers; FIG. 2 is a left side elevation view of the nail clippers; FIG. 3 is a front elevation view of the nail clippers; FIG. 4 is a rear elevation view of nail clippers; FIG. 5 is a top plan view of the nail clippers; FIG. 6 is a bottom elevation view of the nail clippers; FIG. 7 is a bottom, right side perspective view from the rear of the nail clippers; FIG. 8 is a top, right side perspective view from the front of the nail clippers; and, FIG. 9 is a top, right side perspective view from the front of the nail clippers with the lever up.

**1 Claim, 3 Drawing Sheets**



(56)

**References Cited**

OTHER PUBLICATIONS

Craftsmanship G-1117 . . . [online]; [review published to the internet on Mar. 2, 2022]; [retrieved from the internet on Oct. 18, 2022]; URL:<https://www.amazon.co.jp/-/en/Craftsmanship-G-1117-Stainless-Clipper-Catcher/dp/B09TR3C4BN/> (6 pages). (Year: 2022).\*

Wide Stainless Steel . . . [online]; [publication date unknown]; [retrieved from the internet on Oct. 18, 2022]; URL:<https://greenbell.ne.jp/products/g-1117/> (1 page). (Year: 2022).\*

\* cited by examiner

Fig.1

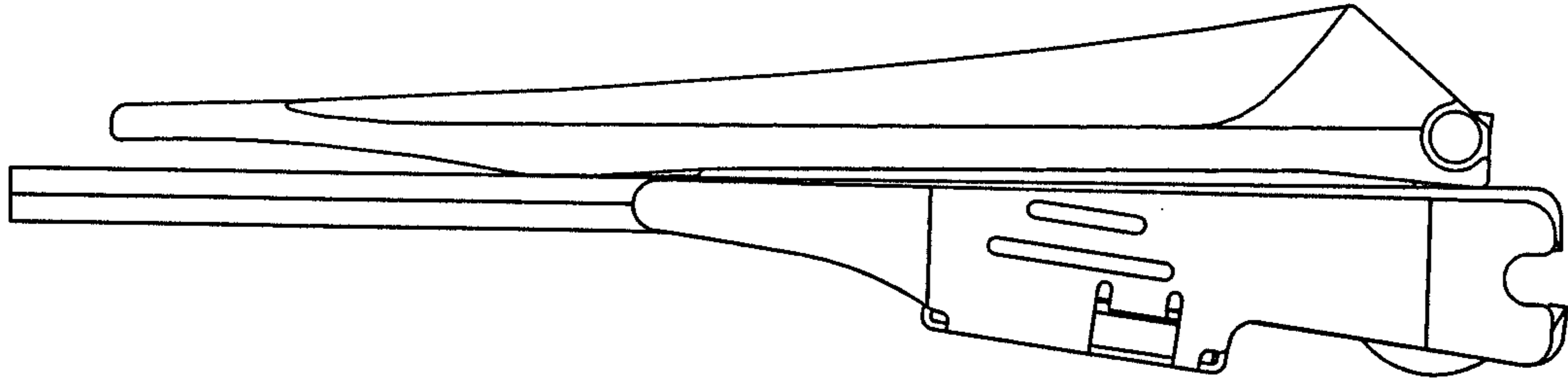


Fig.2

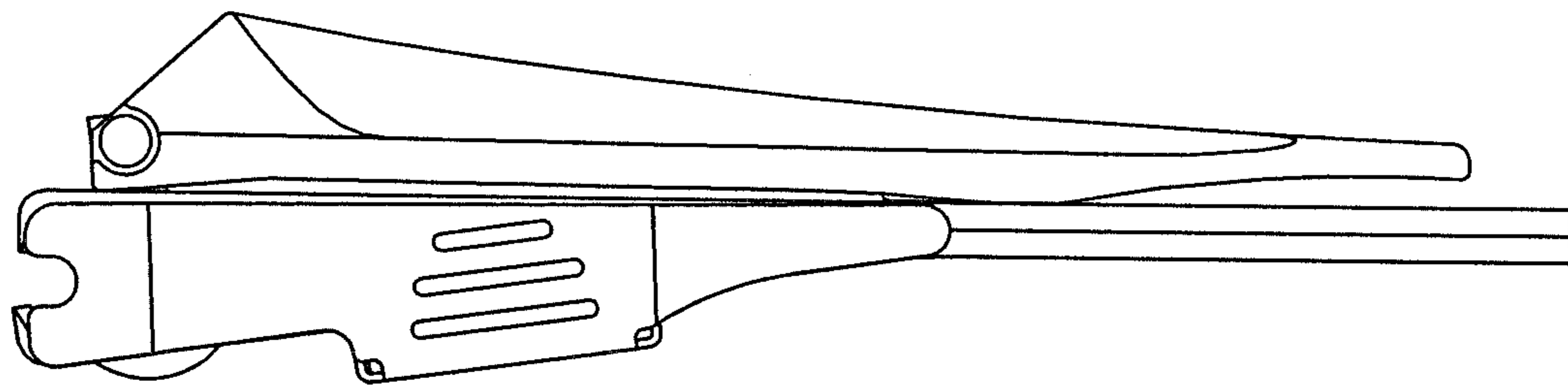


Fig.3

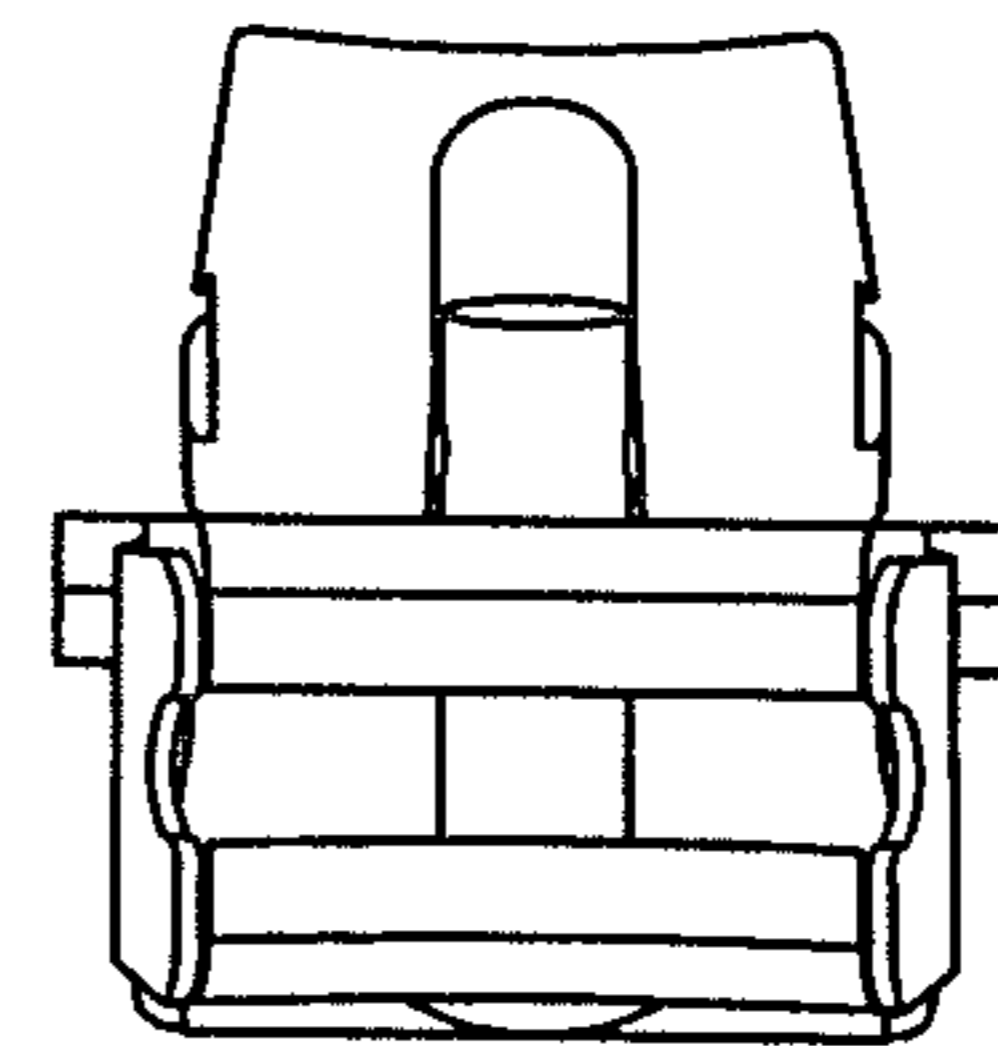


Fig.4

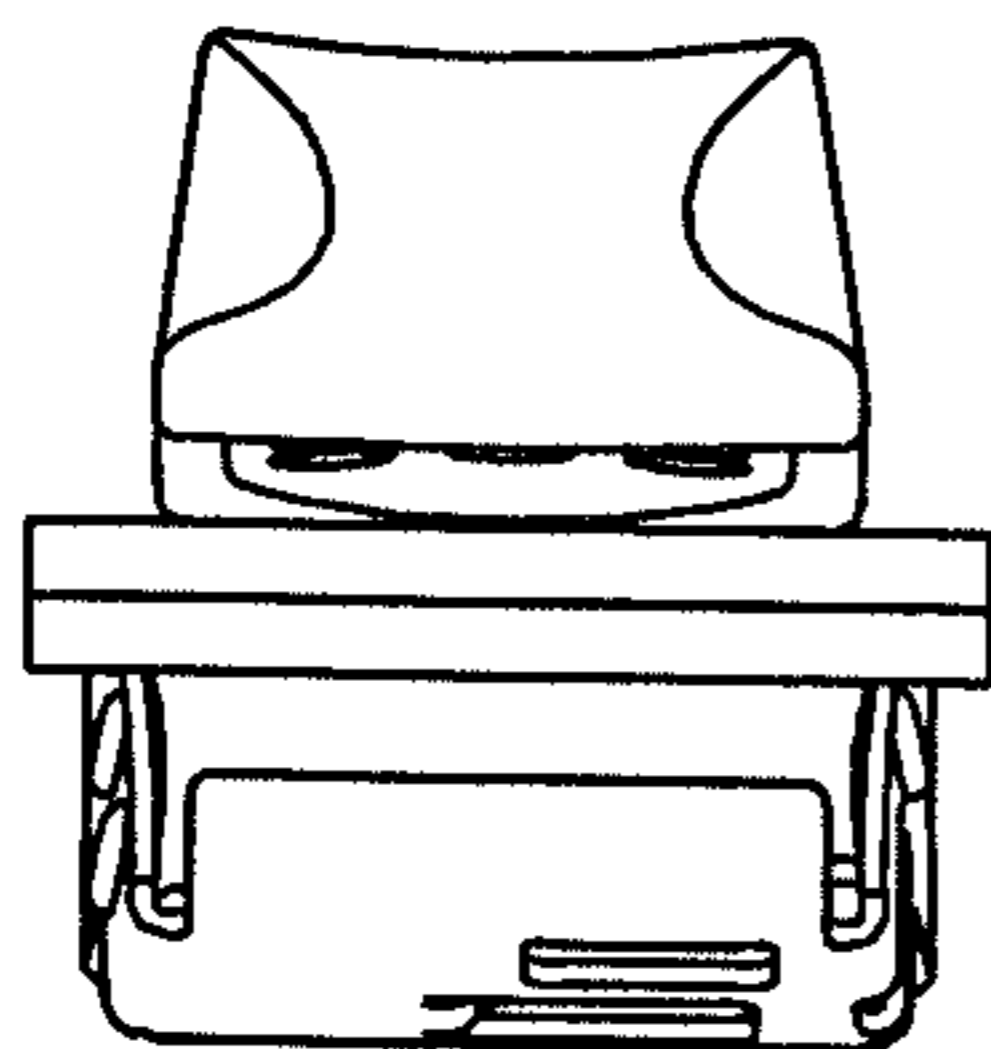


Fig.5

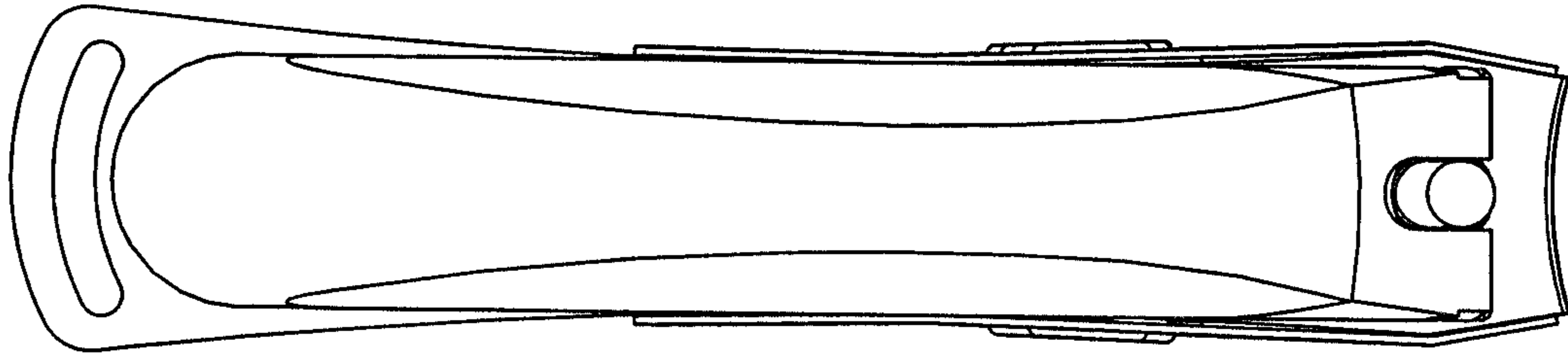


Fig.6

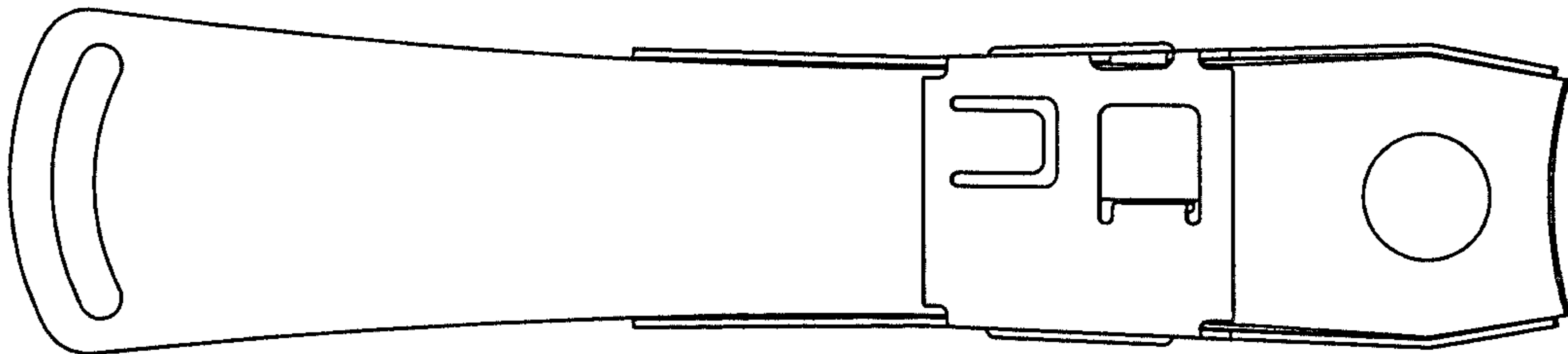


Fig.7

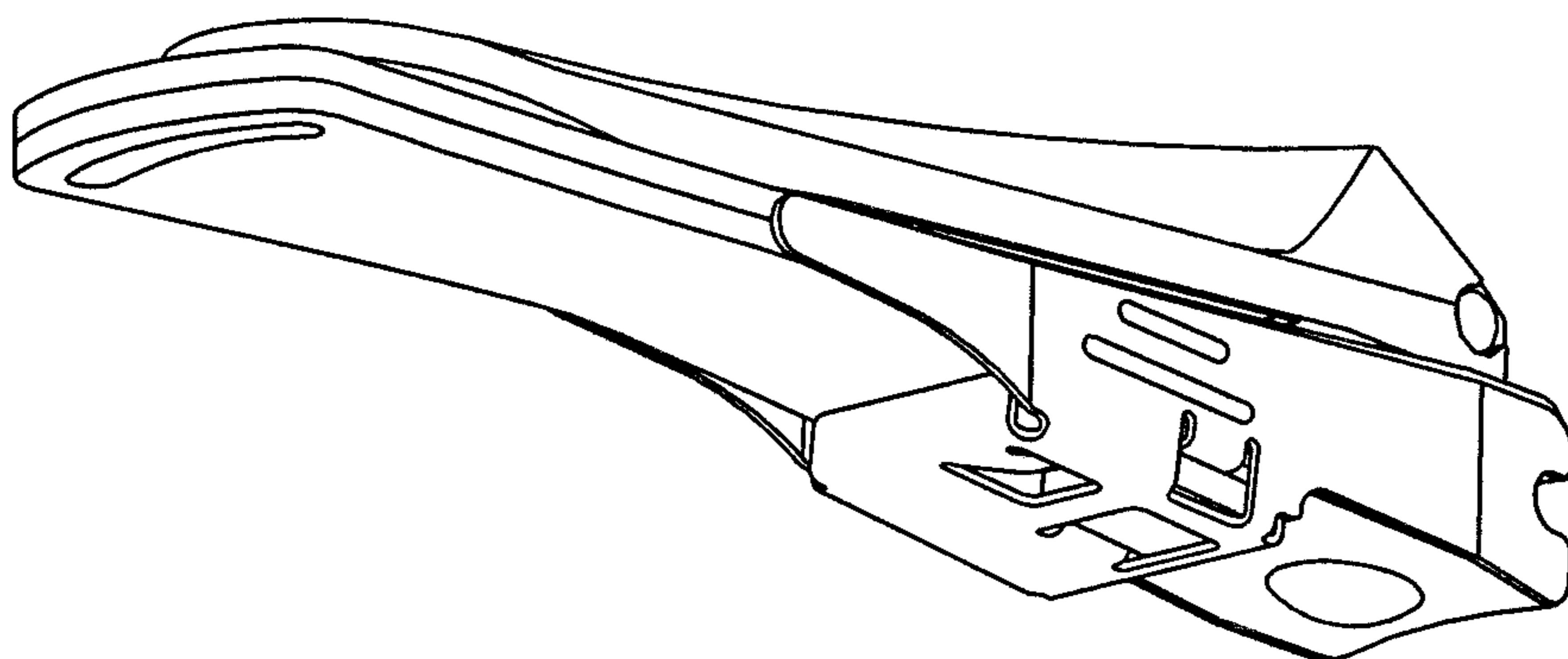


Fig.8

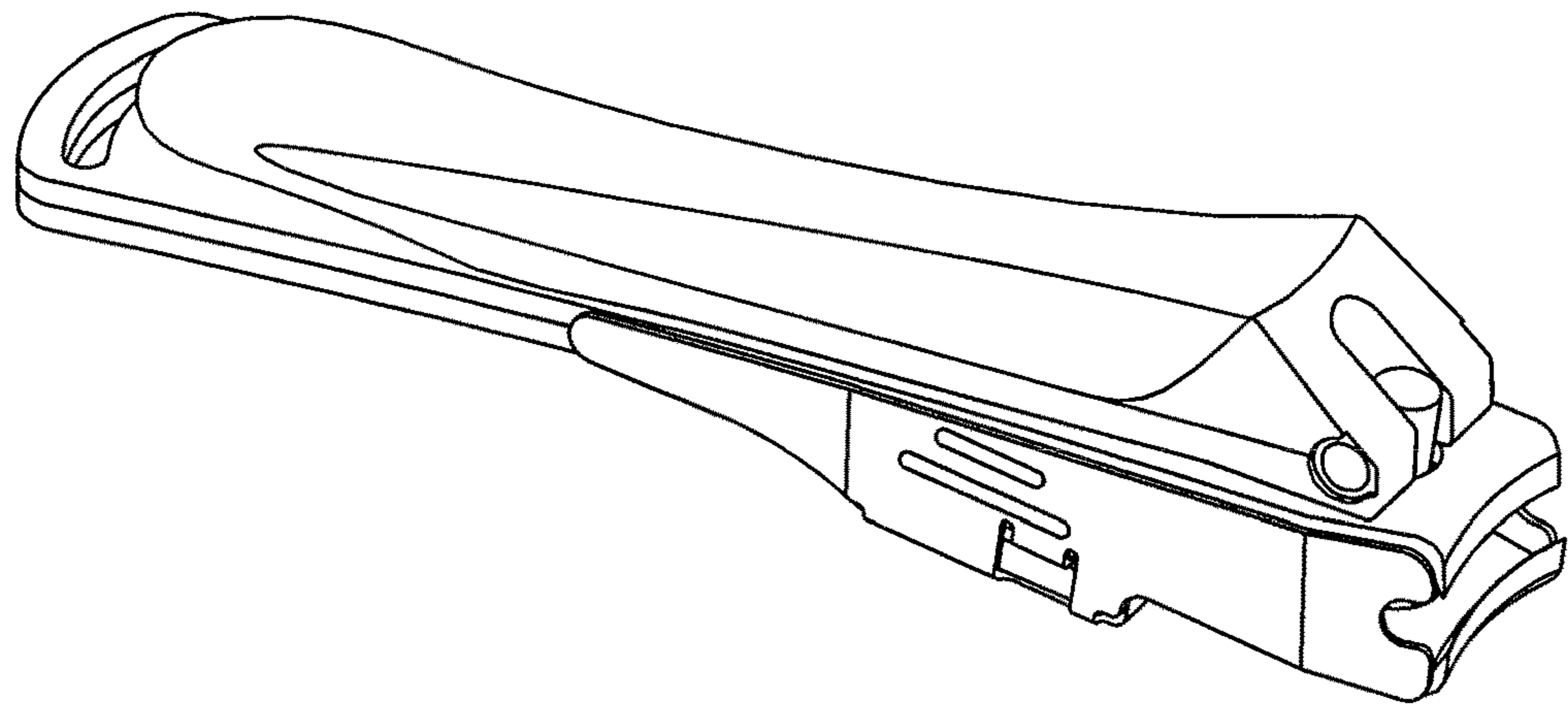


Fig.9

