



US00D978436S

(12) **United States Design Patent** (10) **Patent No.:** **US D978,436 S**
He et al. (45) **Date of Patent:** **** Feb. 14, 2023**

(54) **NAIL DRILL MACHINE**
(71) Applicant: **Shenzhen futuristic innovative technology Co., Ltd**, Guangdong (CN)
(72) Inventors: **Yong He**, Guangdong (CN); **Muqing Wu**, Guangdong (CN)
(73) Assignee: **Shenzhen Futuristic Innovative Technology Co., Ltd.**

D903,866 S * 12/2020 Chen D24/144
D909,681 S * 2/2021 Lu D28/57
D917,110 S * 4/2021 Guo D30/158
D922,335 S * 6/2021 Lu D13/168
D929,042 S * 8/2021 Lu D28/58
D933,299 S * 10/2021 Fu D28/58
D940,396 S * 1/2022 Lu D28/58
D945,073 S * 3/2022 Lu D30/158
D952,948 S * 5/2022 Lu D28/58

(Continued)

(**) Term: **15 Years**

(21) Appl. No.: **29/807,128**

(22) Filed: **Sep. 9, 2021**

(30) **Foreign Application Priority Data**

Sep. 2, 2021 (CN) 202130578606.4

(51) **LOC (14) Cl.** **28-03**

(52) **U.S. Cl.**
USPC **D28/58**

(58) **Field of Classification Search**
USPC D28/56, 57, 58, 59, 62, 99; 132/73, 73.5, 132/73.6, 74.5, 75, 75.3, 75.8
CPC A45D 2029/045; A45D 29/007; A45D 29/00; A45D 29/02; A45D 29/04; A45D 29/05; A45D 29/06; A45D 29/11; A45D 29/14; A45D 29/18

See application file for complete search history.

(56) **References Cited**

U.S. PATENT DOCUMENTS

D317,367 S * 6/1991 Fujisawa D28/58
D397,517 S * 8/1998 Choyee D28/59
D418,944 S * 1/2000 Choi D28/58
D511,401 S * 11/2005 Park D28/58
D598,011 S * 8/2009 Thusbass D14/225
D601,873 S * 10/2009 Lau B25F 5/02
D8/62
D603,561 S * 11/2009 Cho D28/58
D895,210 S * 9/2020 Wu D28/59
D900,395 S * 10/2020 Du D28/58

FOREIGN PATENT DOCUMENTS

EM 008676456-0001 * 9/2021

OTHER PUBLICATIONS

Professional Nail Drill [online], [the publication date is Oct. 24, 2022]. [Retrieved from the internet on Nov. 17, 2022]. URL: <https://www.amazon.com/Professional-TourdeusElectric-AdjustablePortable/dp/B0B9GZQLSP/ref=sr_1_146_sspa?keywords=nail%2Bmachine&qid=1668702236&sr=8-146-spons&sp_csd=d2lkZ2V0TmFtZT1zcF9hdGZfbmV4dA&th=1> (Year: 2022).*

Primary Examiner — Karen E Eldridge Powers
Assistant Examiner — Margaret Leah Bryan
(74) *Attorney, Agent, or Firm* — Sandy Lipkin

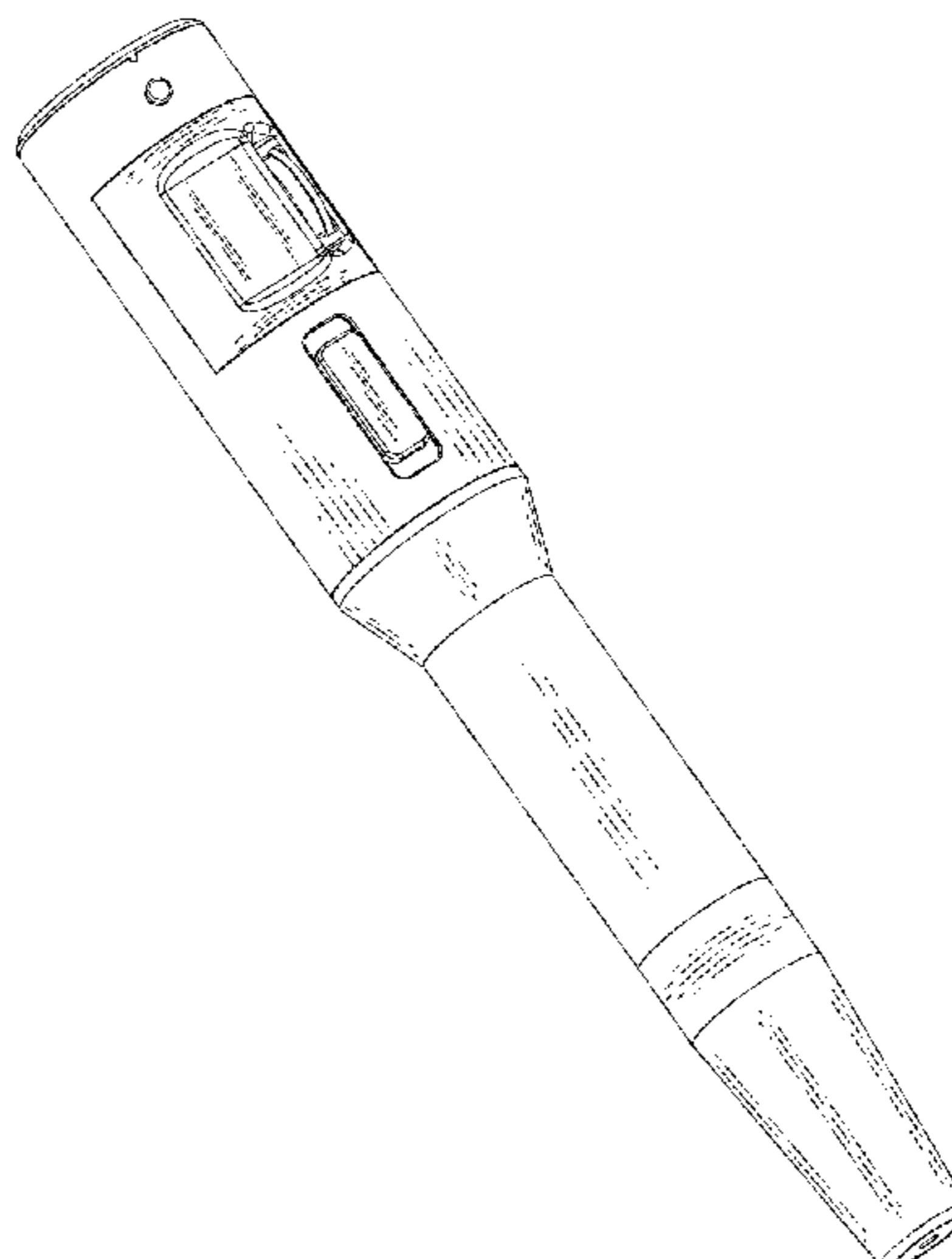
(57) **CLAIM**

The ornamental design for a nail drill machine, as shown and described.

DESCRIPTION

FIG. 1 is a front elevational view of a nail drill showing my new design;
FIG. 2 is a top plan view thereof;
FIG. 3 is a bottom plan view thereof;
FIG. 4 is a rear elevational view thereof;
FIG. 5 is a left side elevational view thereof;
FIG. 6 is a right side elevational view thereof; and,
FIG. 7 is a front, bottom, and left-side perspective view thereof.

1 Claim, 7 Drawing Sheets



(56)

References Cited

U.S. PATENT DOCUMENTS

D954,352 S * 6/2022 Lu D28/58
D954,941 S * 6/2022 Yuan D24/144
11,484,107 B2 * 11/2022 Hurter G08C 17/02
2011/0247642 A1 * 10/2011 Cristina A45D 29/18
132/200
2020/0052514 A1 * 2/2020 Haile A45D 29/05
2021/0045513 A1 * 2/2021 Cheng A45D 29/14
2021/0100332 A1 * 4/2021 Hsieh A61L 2/10
2022/0346521 A1 * 11/2022 Li A45D 29/05

* cited by examiner

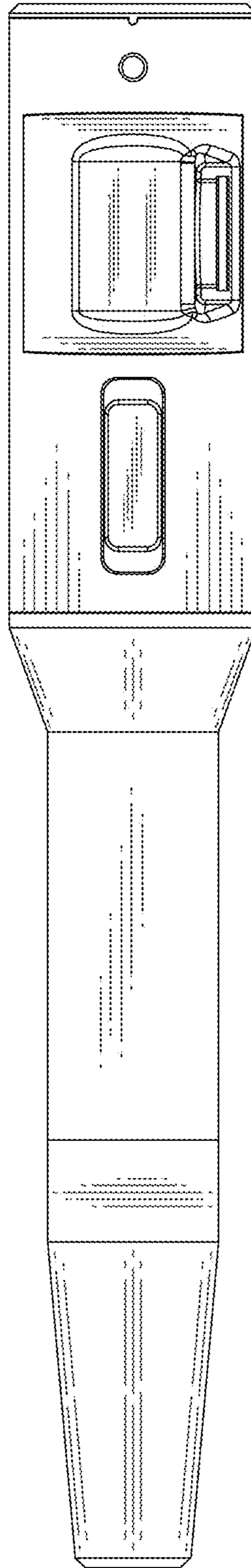


FIG. 1

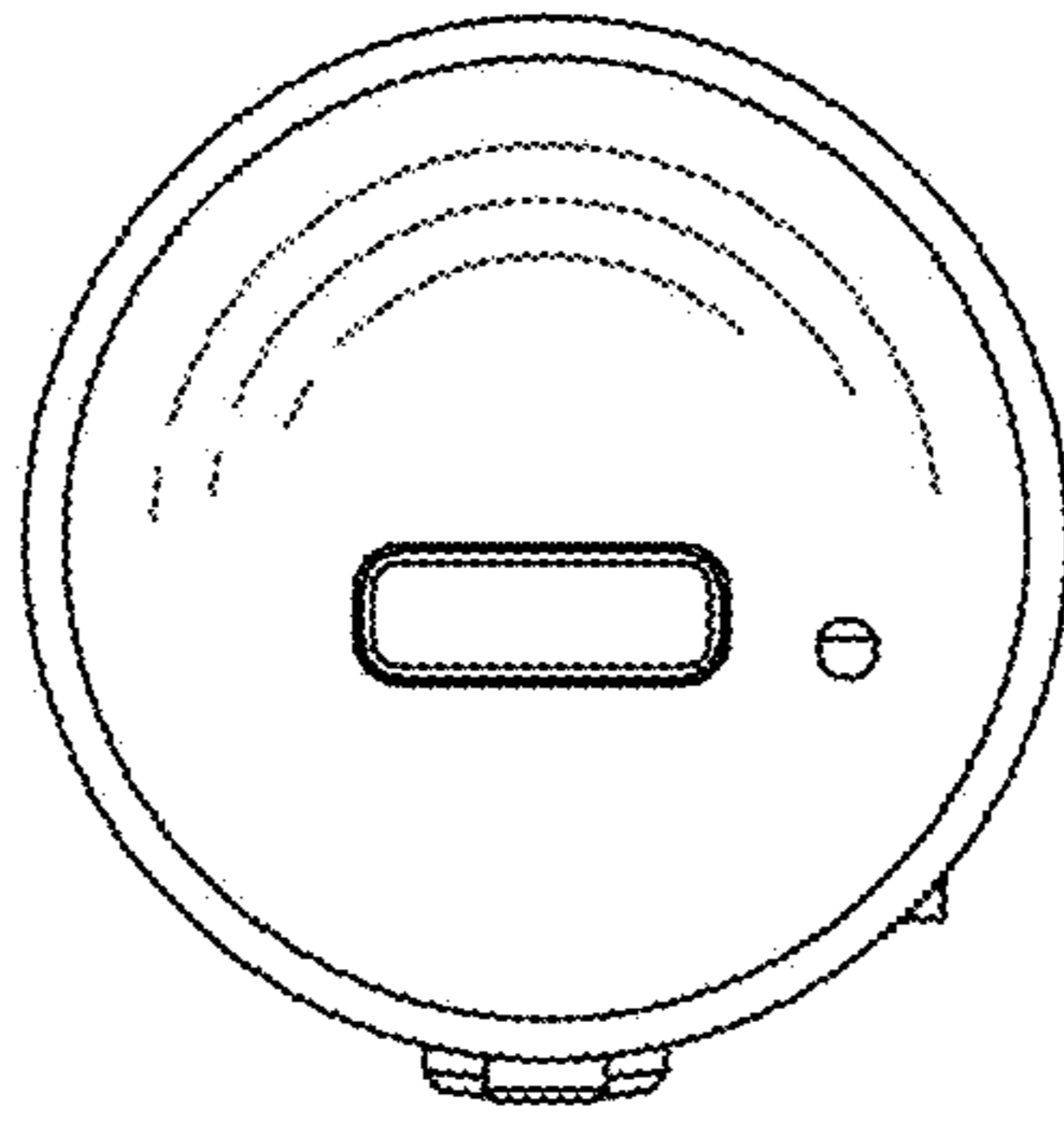


FIG. 2

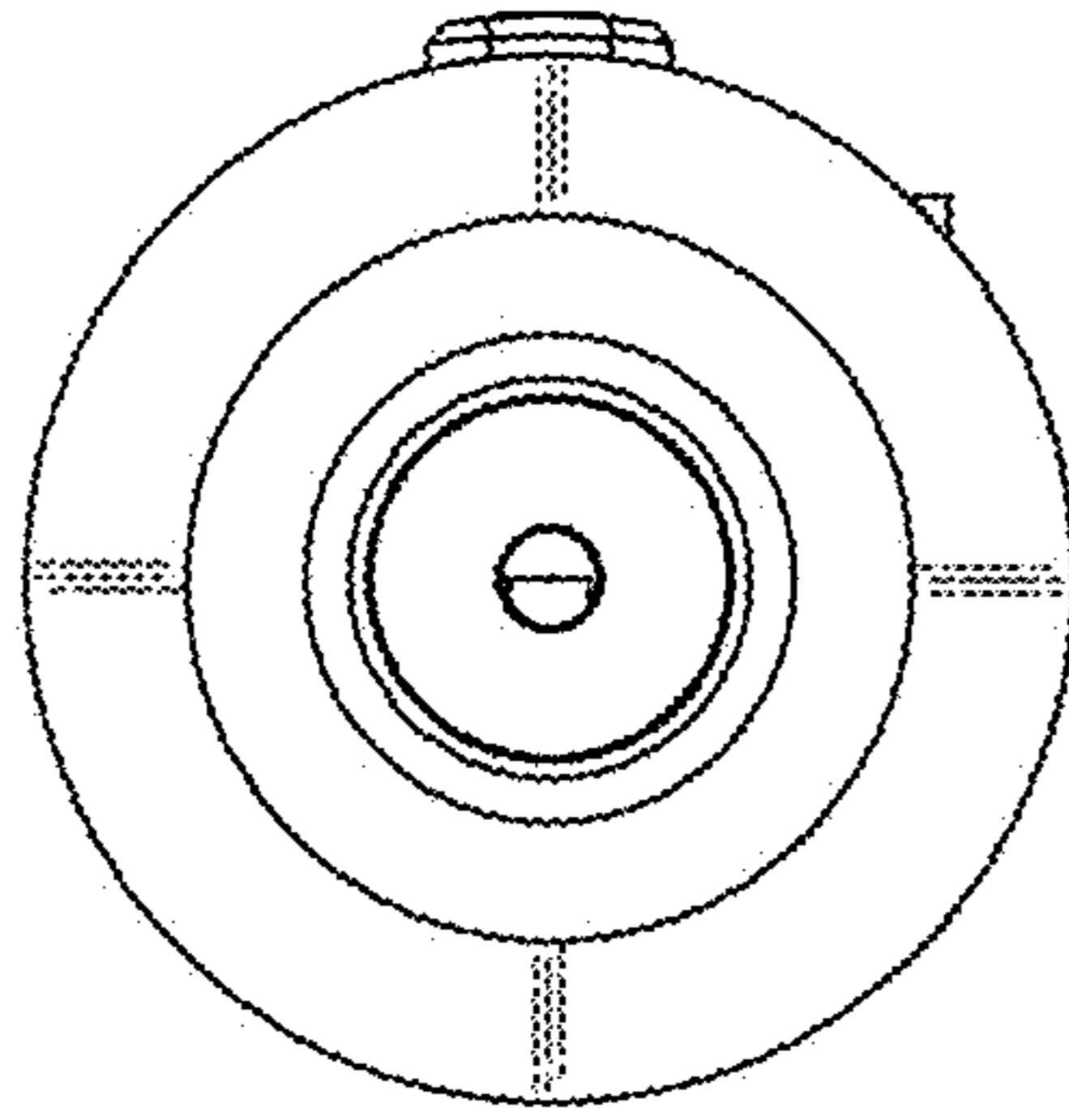


FIG. 3

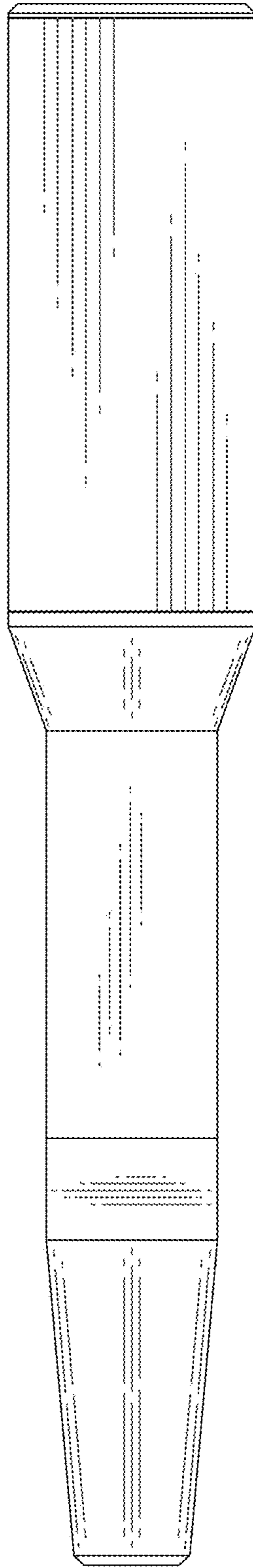


FIG. 4

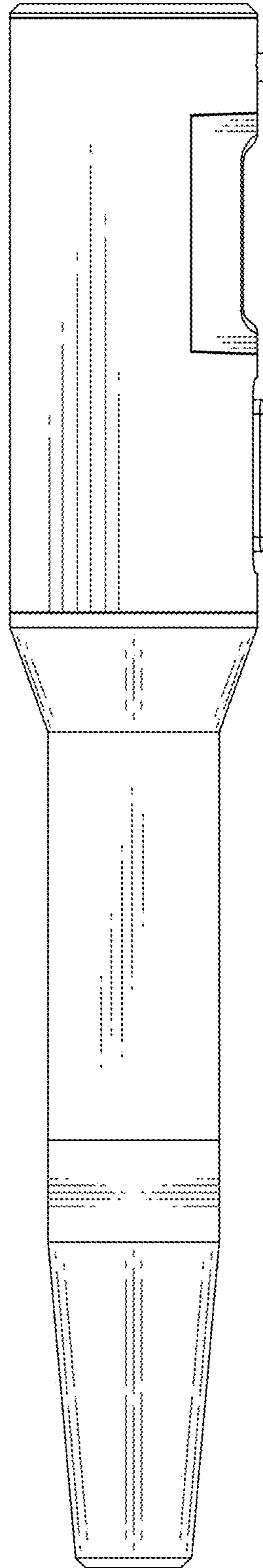


FIG. 5

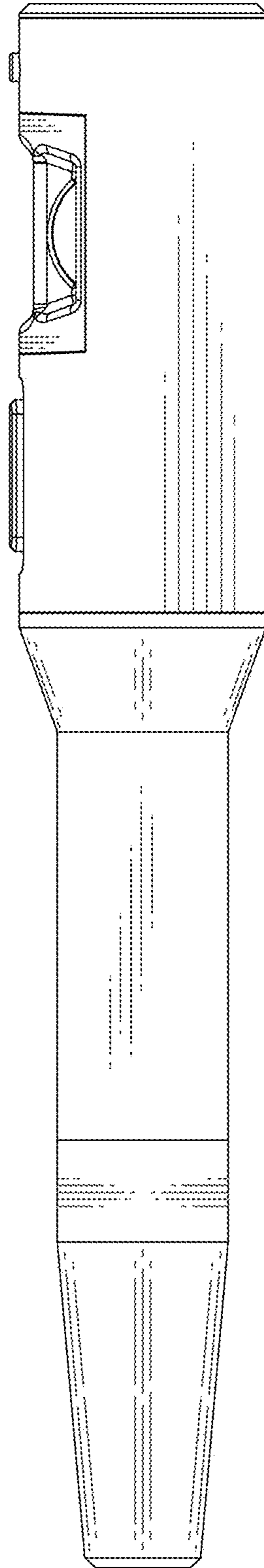


FIG. 6

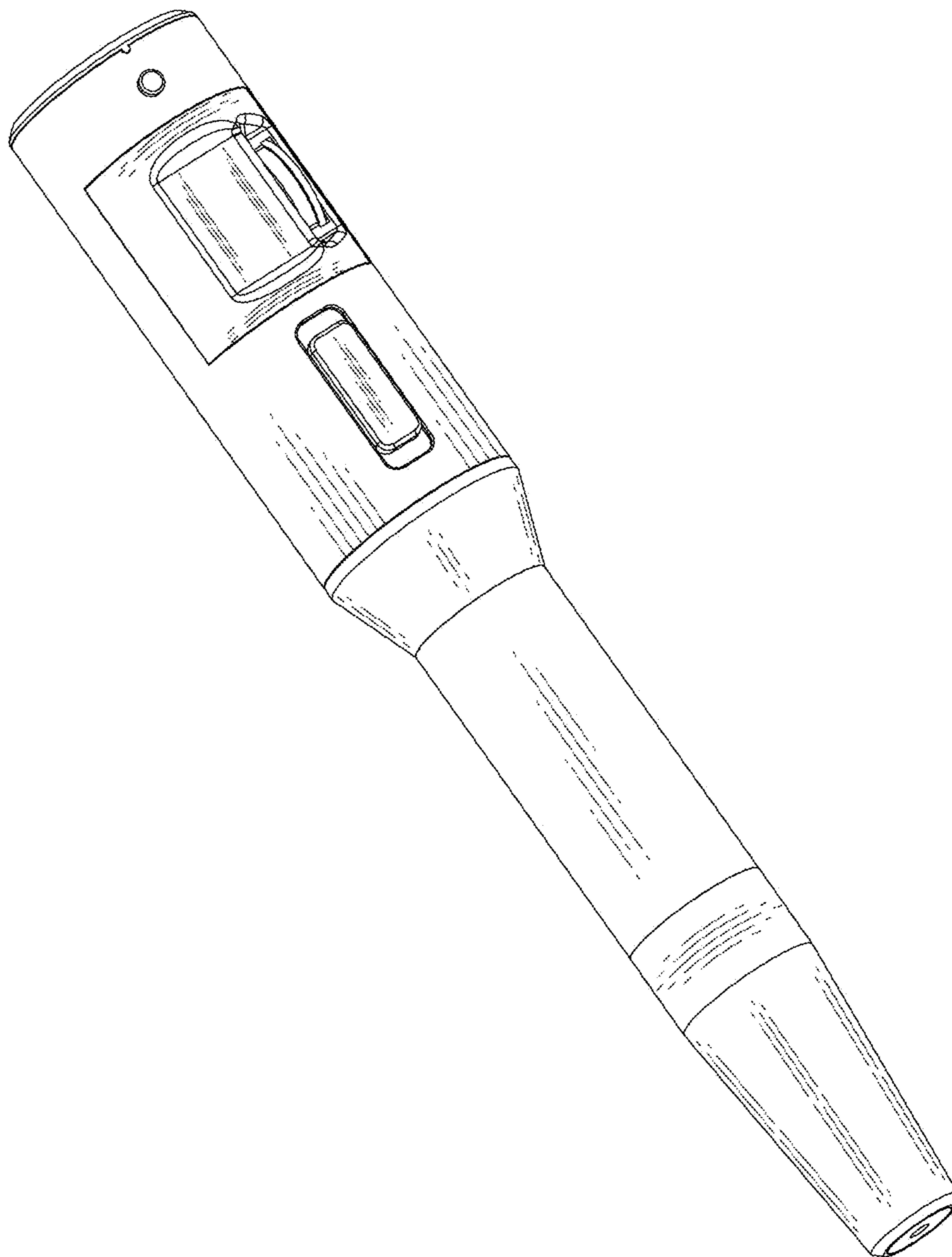


FIG. 7