



US00D978430S

(12) **United States Design Patent** (10) **Patent No.:** **US D978,430 S**
Luo (45) **Date of Patent:** **** Feb. 14, 2023**

(54) **HAIR CLIPPER COMB**
(71) Applicant: **Shenzhen Vidoly Technology Co., Ltd., Shenzhen (CN)**
(72) Inventor: **Zhicai Luo, Huizhou (CN)**
(73) Assignee: **SHENZHEN VIDOLY TECHNOLOGY CO., LTD., Shenzhen (CN)**

10,293,500 B1 * 5/2019 Baker B26B 19/22
10,377,049 B2 * 8/2019 Whittaker B26B 19/3813
D947,455 S * 3/2022 Jiang D28/54
2009/0019706 A1 * 1/2009 Werner B26B 19/3813
30/233.5
2009/0113722 A1 * 5/2009 Werner B26B 19/20
30/200
2014/0331504 A1 * 11/2014 Michel B26B 13/24
29/428

(**) Term: **15 Years**

(21) Appl. No.: **29/743,525**

(22) Filed: **Jul. 22, 2020**

(51) **LOC (14) Cl.** **28-03**

(52) **U.S. Cl.**
USPC **D28/54**

(58) **Field of Classification Search**
USPC D28/54
CPC B26B 19/20; B26B 19/3813
See application file for complete search history.

(56) **References Cited**

U.S. PATENT DOCUMENTS

D559,456 S * 1/2008 Melton D28/54
D565,793 S * 4/2008 Wallace D28/54
7,918,029 B2 * 4/2011 Melton B26B 19/3813
30/200
D748,862 S * 2/2016 Aulwes D28/54
D791,410 S * 7/2017 Whittaker D28/54
10,011,029 B2 * 7/2018 Bellisario B26B 19/20

OTHER PUBLICATIONS

Kaynway Magnetic Comb at www.amazon.com, first available Dec. 2021, 1 page (Year: 2021).*

* cited by examiner

Primary Examiner — Jennifer Rivard
(74) *Attorney, Agent, or Firm* — WPAT, PC

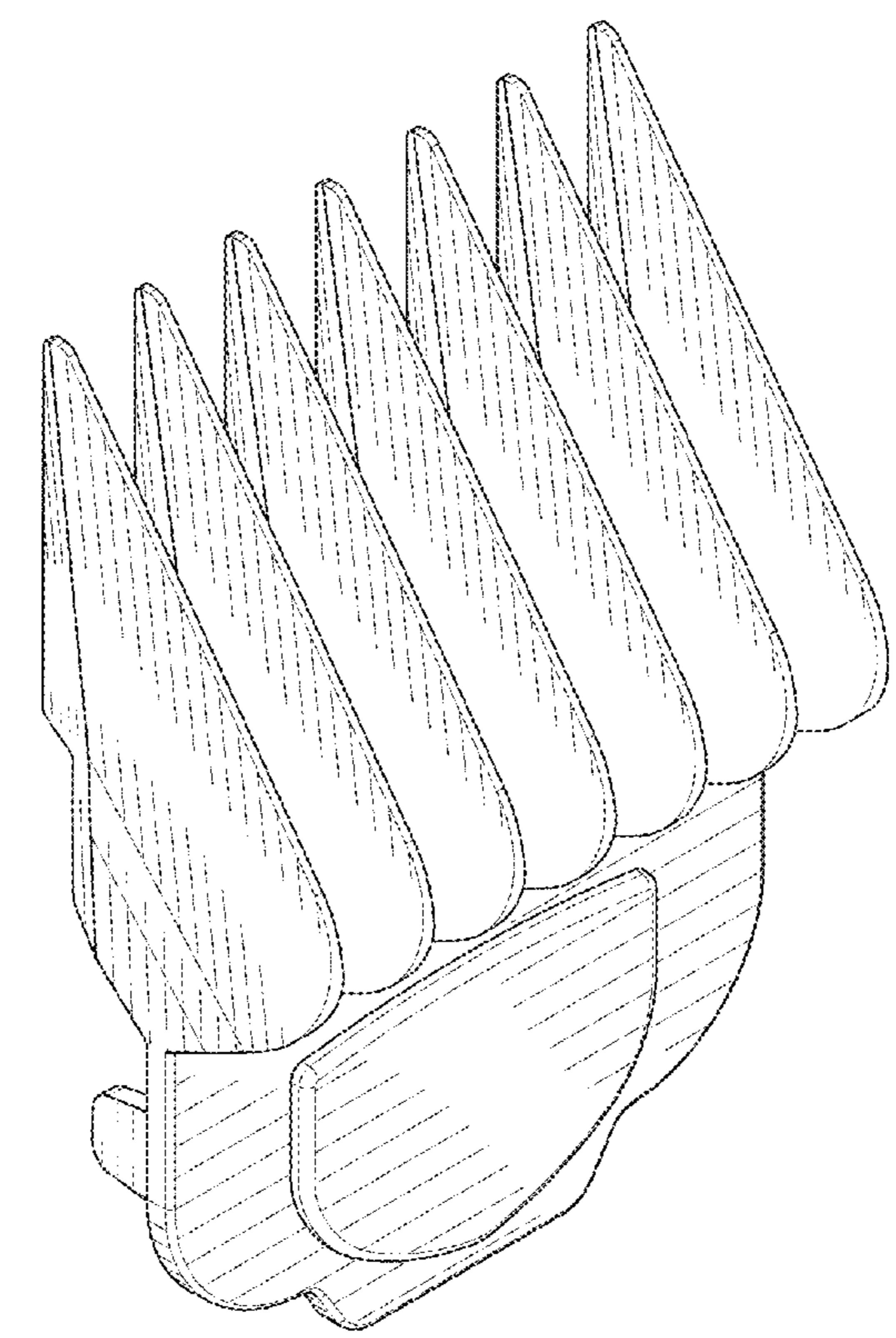
(57) **CLAIM**

The ornamental design for a hair clipper comb, as shown and described.

DESCRIPTION

FIG. 1 is a perspective view of a hair clipper comb, showing the new design;
FIG. 2 is a front view thereof;
FIG. 3 is a rear view thereof;
FIG. 4 is a left-side view thereof;
FIG. 5 is a right-side view thereof;
FIG. 6 is a top view thereof; and,
FIG. 7 is a bottom view thereof.

1 Claim, 6 Drawing Sheets



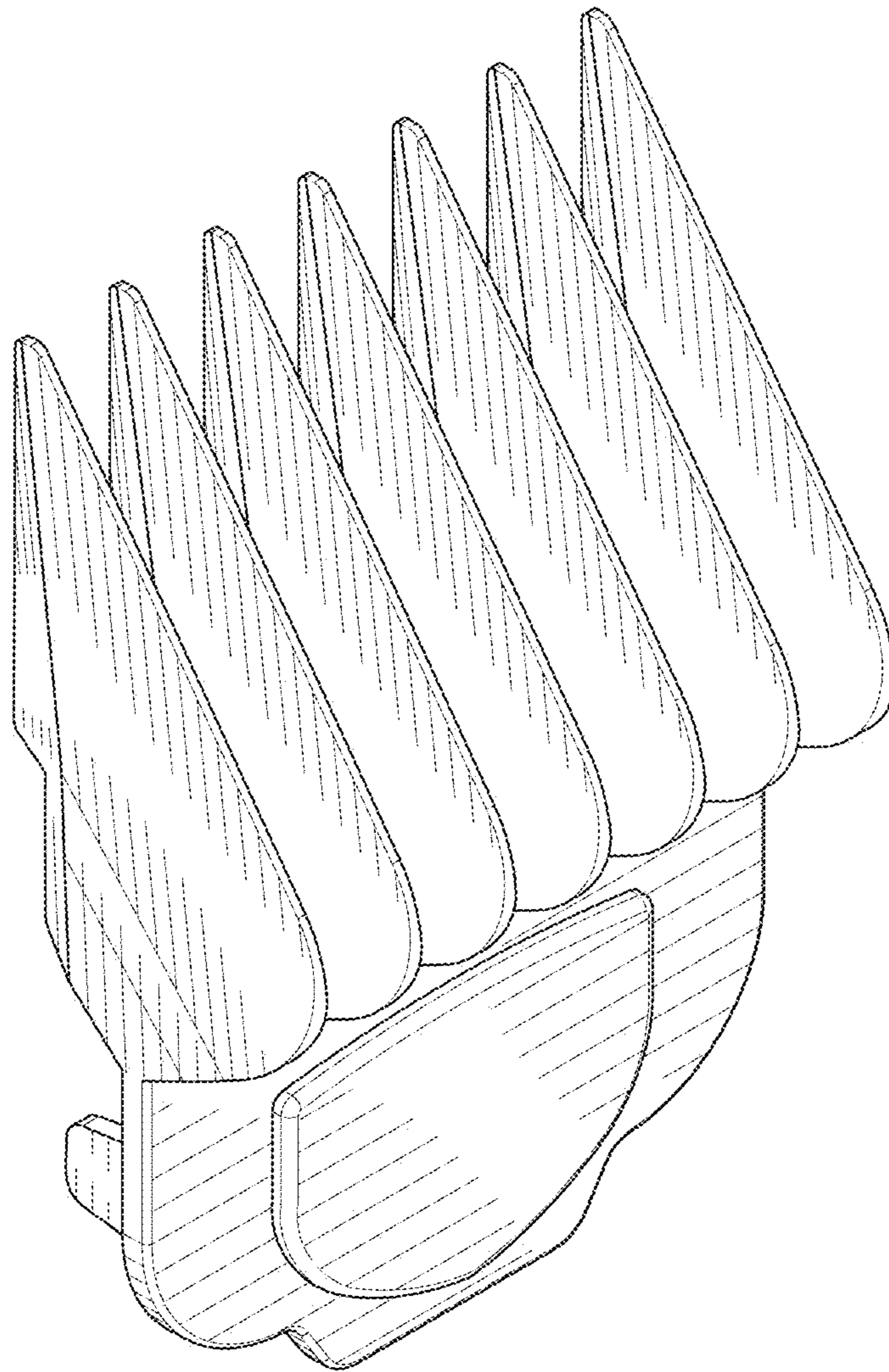


FIG. 1

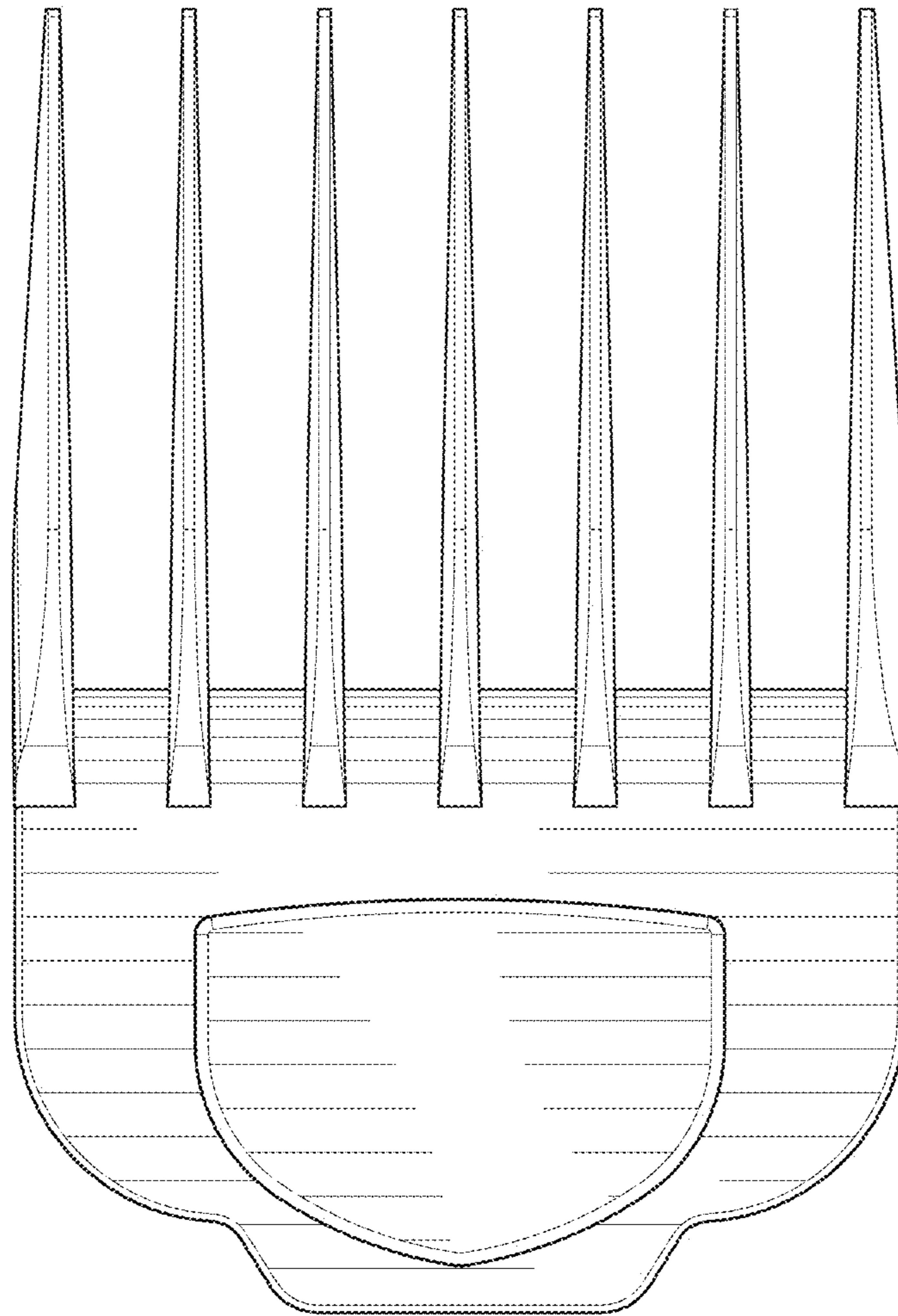


FIG. 2

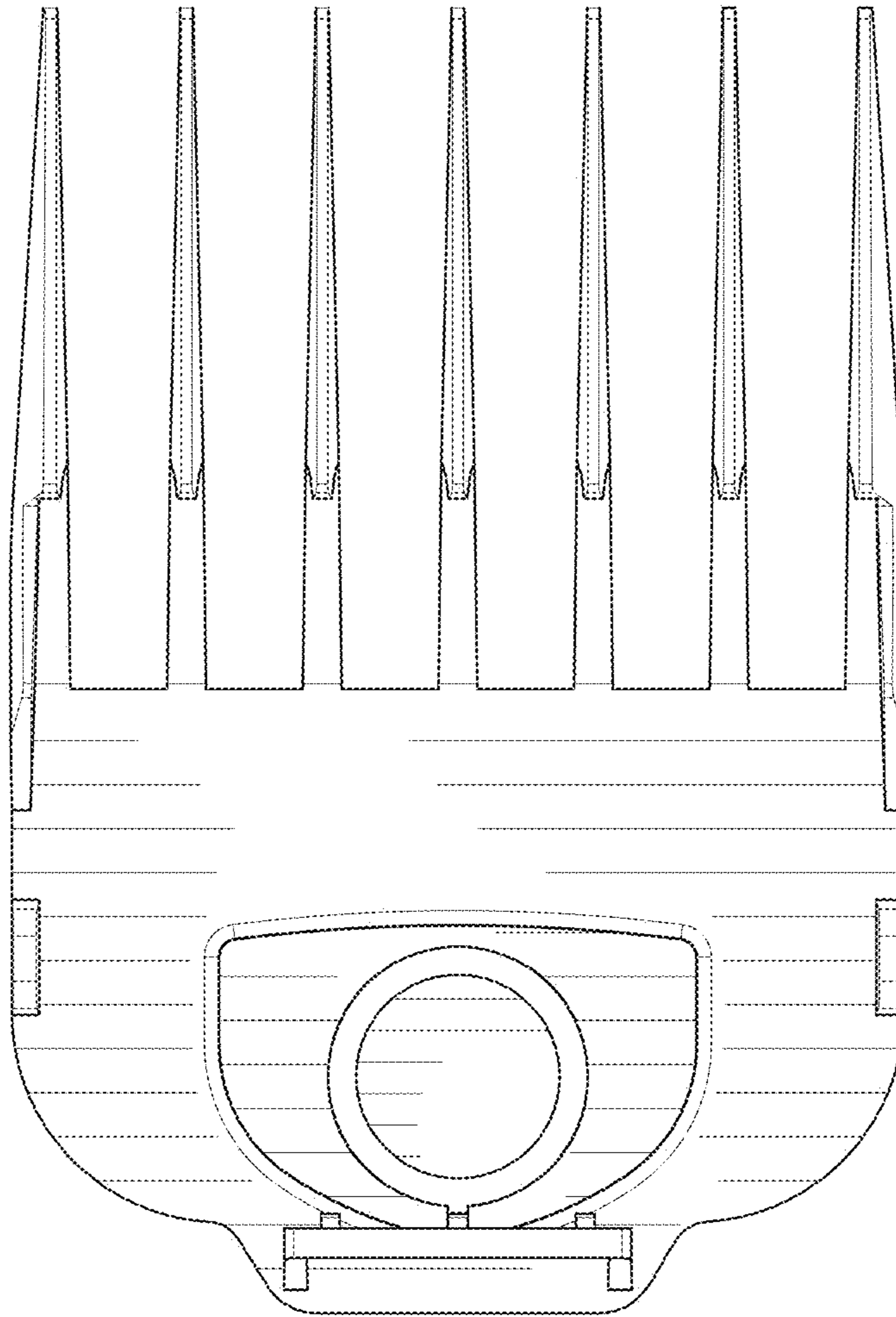


FIG. 3

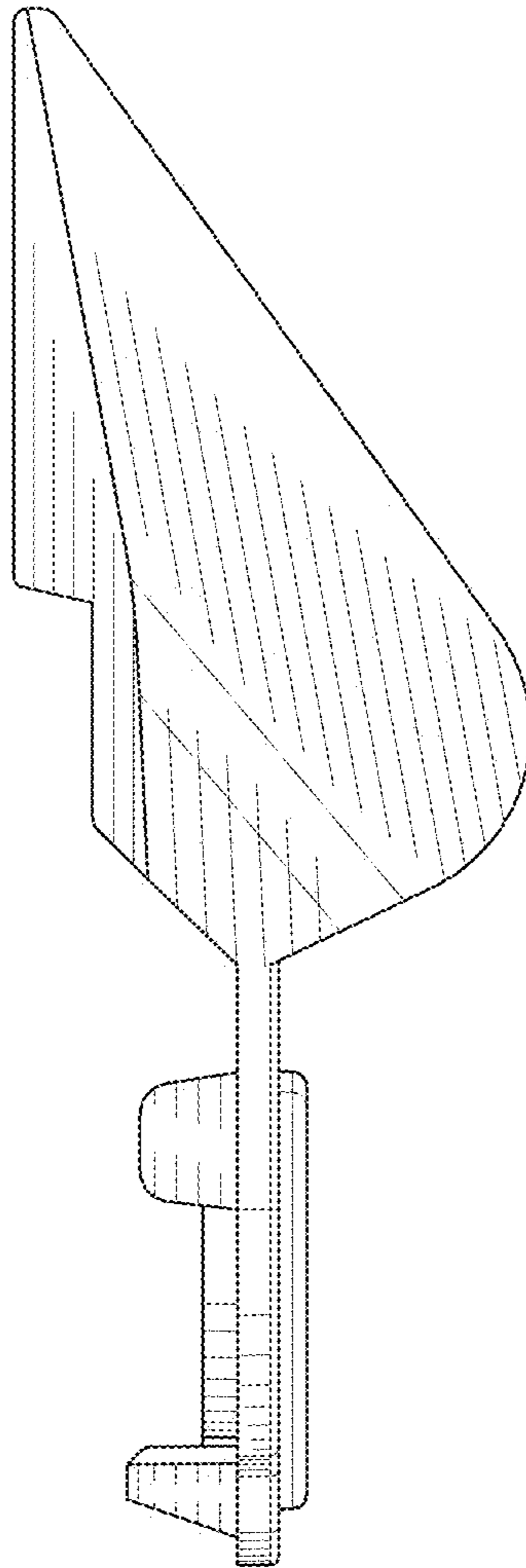


FIG. 4

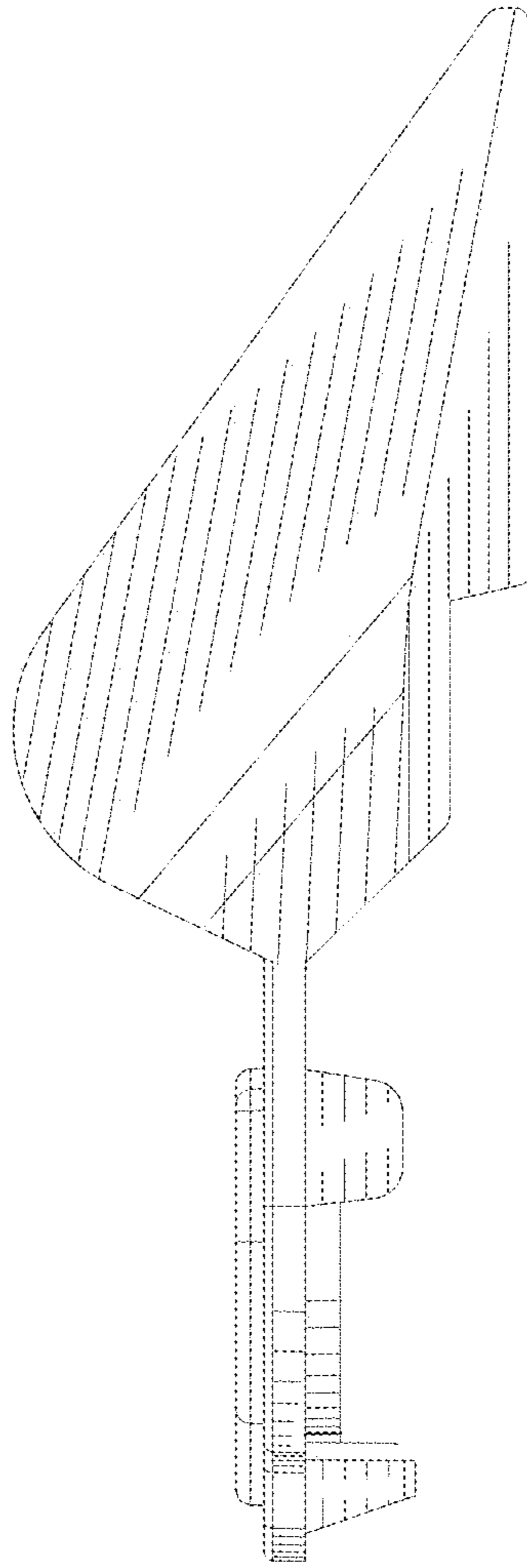


FIG. 5

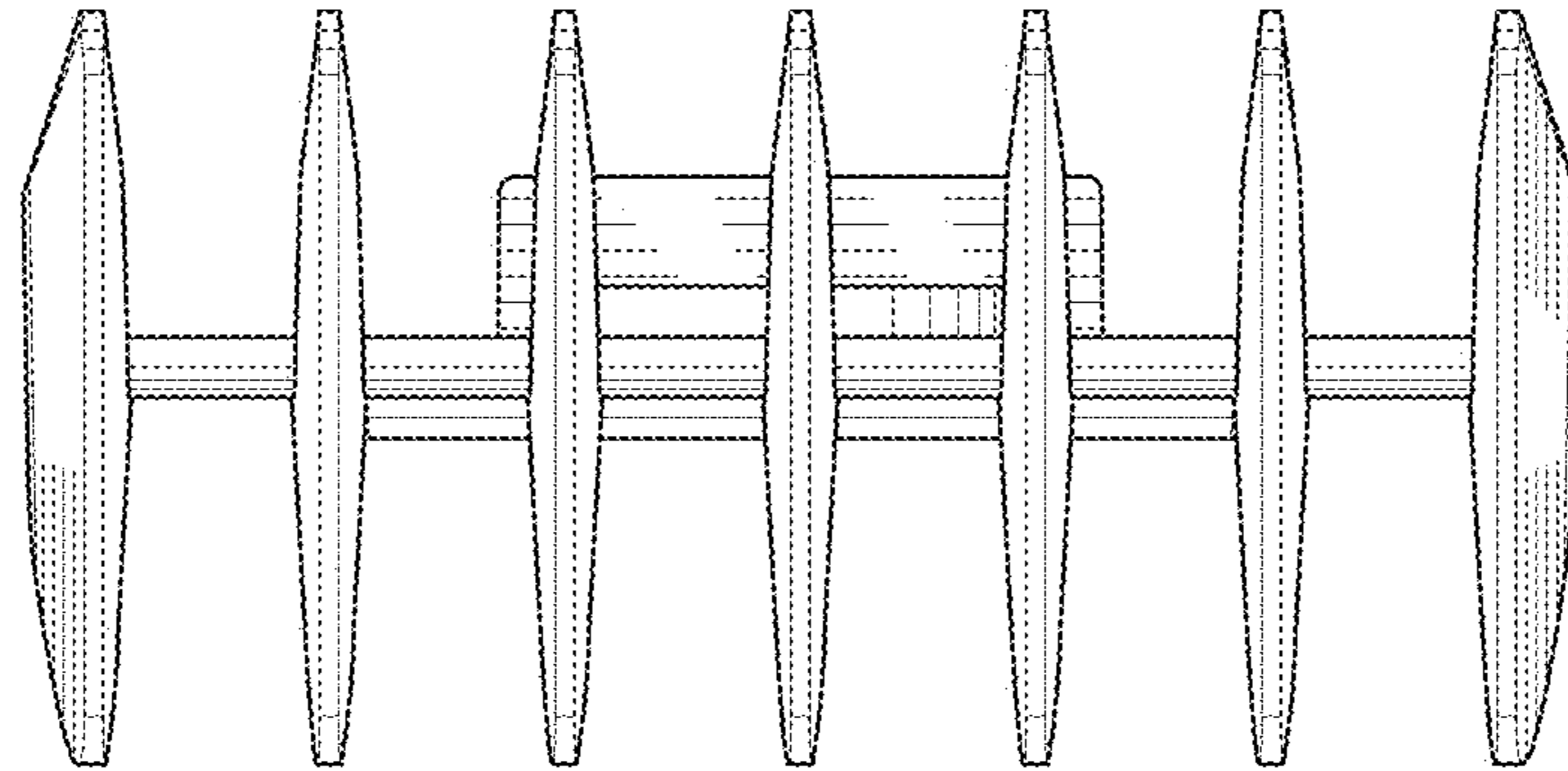


FIG. 6

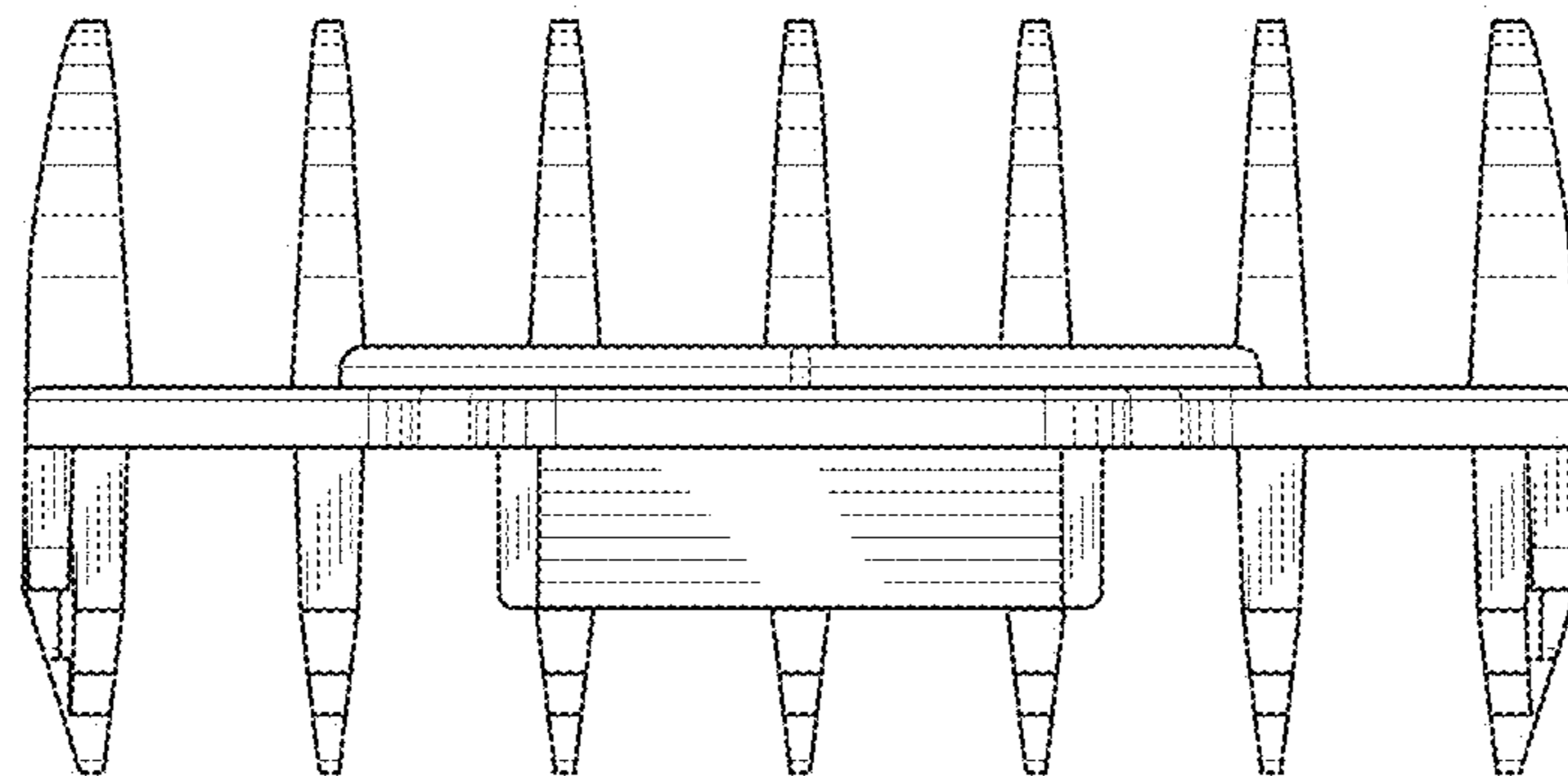


FIG. 7