



US00D978425S

(12) **United States Design Patent**
Ma et al.

(10) **Patent No.:** **US D978,425 S**
(45) **Date of Patent:** **** Feb. 14, 2023**

(54) **HAIR CURLER**
(71) Applicant: **SHENZHEN SANWIN TECHNOLOGY CO., LTD**, Shenzhen (CN)
(72) Inventors: **Wansong Ma**, Shenzhen (CN); **Chengjiang Xia**, Shenzhen (CN)
(73) Assignee: **SHENZHEN SANWIN TECHNOLOGY CO., LTD**, Shenzhen (CN)

D925,829 S * 7/2021 Zeng D28/35
D934,500 S * 10/2021 Yang D28/35
D936,898 S * 11/2021 Duan D28/35
D948,787 S * 4/2022 Xia D28/35
D965,875 S * 10/2022 Chen D28/35
2014/0366909 A1* 12/2014 Richmond A45D 6/02
132/211
2019/0328100 A1* 10/2019 Duan A45D 2/36
2020/0060405 A1* 2/2020 Wang A45D 1/04
2020/0196728 A1* 6/2020 Yong A45D 1/04

(**) Term: **15 Years**
(21) Appl. No.: **29/778,425**
(22) Filed: **Apr. 13, 2021**

(30) **Foreign Application Priority Data**
Jan. 18, 2021 (CN) 202130033860.6
(51) **LOC (14) Cl.** **28-03**
(52) **U.S. Cl.**
USPC **D28/35**
(58) **Field of Classification Search**
USPC D28/35
CPC A45D 2001/004; A45D 4/00; A45D 4/02;
A45D 4/04; A45D 4/06; A45D 4/08;
A45D 2/00; A45D 2/001; A45D 2/12;
A45D 2/36; A45D 2/362; A45D 1/00;
A45D 1/02; A45D 1/04; A45D 1/06;
A45D 1/08; A45D 1/16; A45D 1/20;
A45D 1/28

See application file for complete search history.

(56) **References Cited**
U.S. PATENT DOCUMENTS
D724,784 S * 3/2015 Richmond D28/35
D892,405 S * 8/2020 Huang D28/35
D899,687 S * 10/2020 Chen D28/35
D905,333 S * 12/2020 Ng D28/35
D919,886 S * 5/2021 Wang D28/35

OTHER PUBLICATIONS

CHI Spin N Curl, reviewed as early as Jul. 8, 2018 on amazon.com, retrieved from: https://www.amazon.com/CHI-Black-Shoulder-Length-between-inches/dp/B0795WDZZ9/ref=sr_1_56?crd=1QMY1QI6I46EW&keywords=cordless%2Bautomatic%2Bhair%2Bcurler&qid=1667588260&qu=eyJxc2MiOil1LjgxlwiwXNhljoiNS43MCIslnFzcCI6ljUuNzcfQ%3D%3D&s.*

* cited by examiner

Primary Examiner — Alison M Ofstun
(74) *Attorney, Agent, or Firm* — Westbridge IP LLC

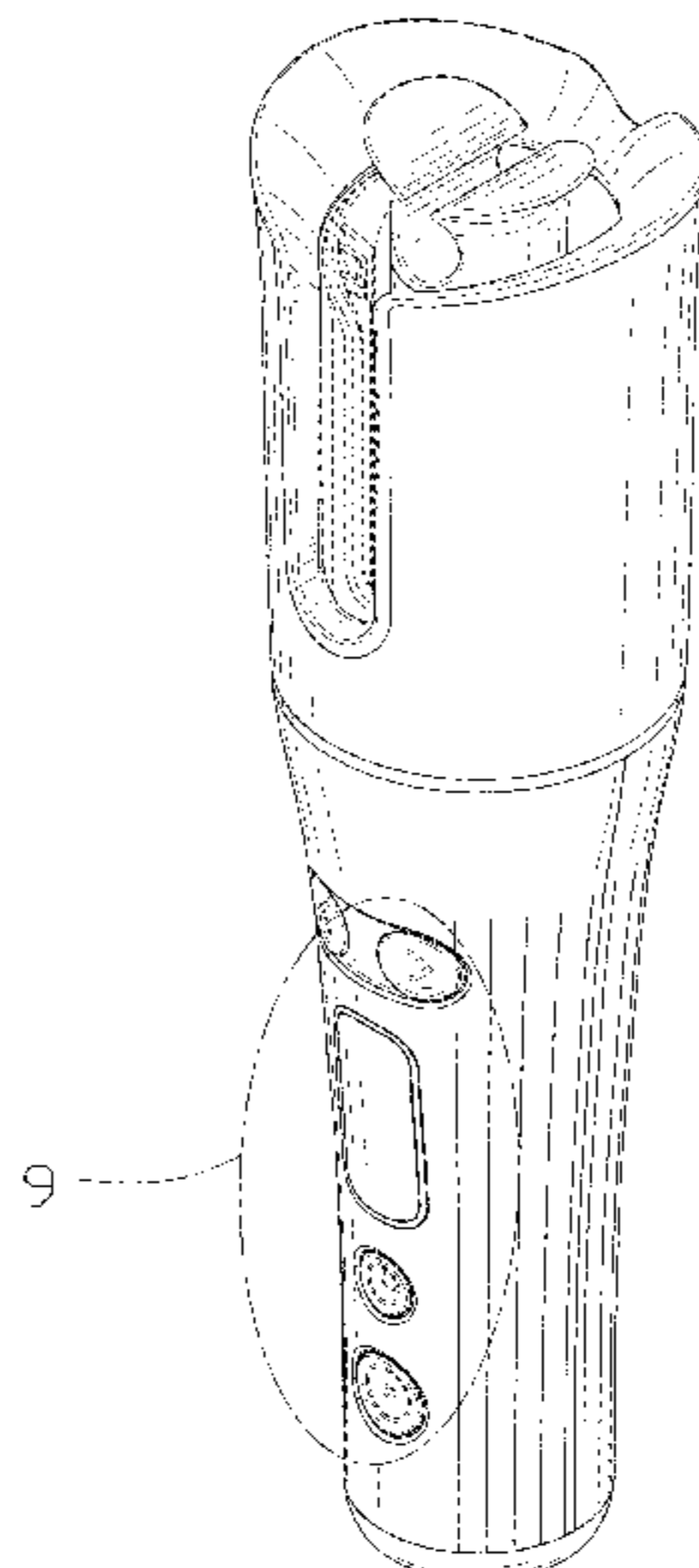
(57) **CLAIM**

The ornamental design for a hair curler, as shown and described.

DESCRIPTION

FIG. 1 is a front perspective view of a hair curler showing our new design;
FIG. 2 is a rear perspective view thereof;
FIG. 3 is a front elevational view thereof;
FIG. 4 is a rear elevational view thereof;
FIG. 5 is a left side elevational view thereof;
FIG. 6 is a right side elevational view thereof;
FIG. 7 is a top plan view thereof;
FIG. 8 is a bottom plan view thereof; and,
FIG. 9 is an enlarged view of portion 9 of FIG. 1.
The broken lines in the drawings illustrate the portions of the hair curler which form no part of the claimed design.

1 Claim, 9 Drawing Sheets



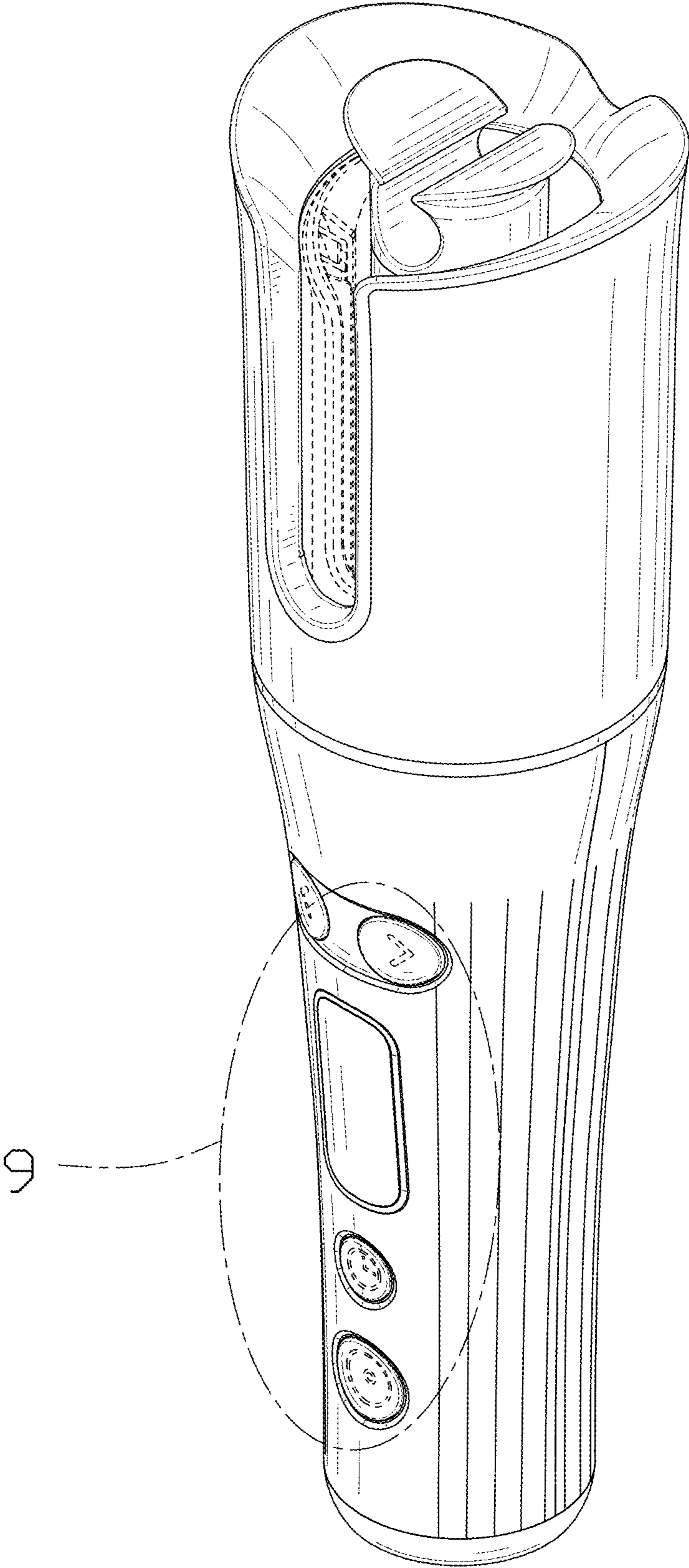


FIG. 1

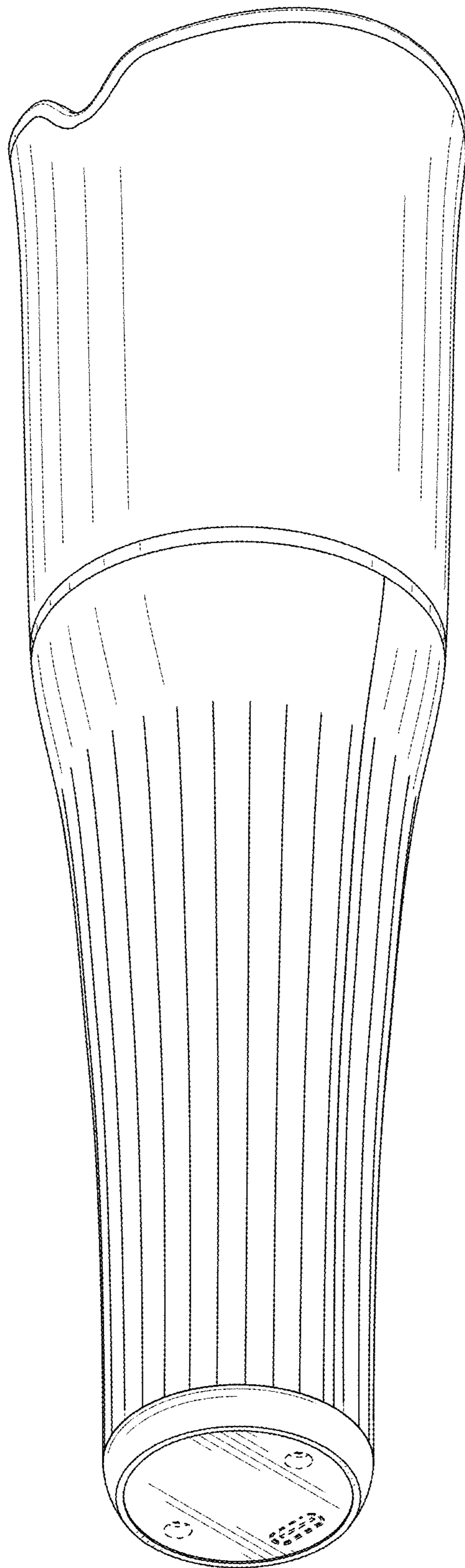


FIG. 2

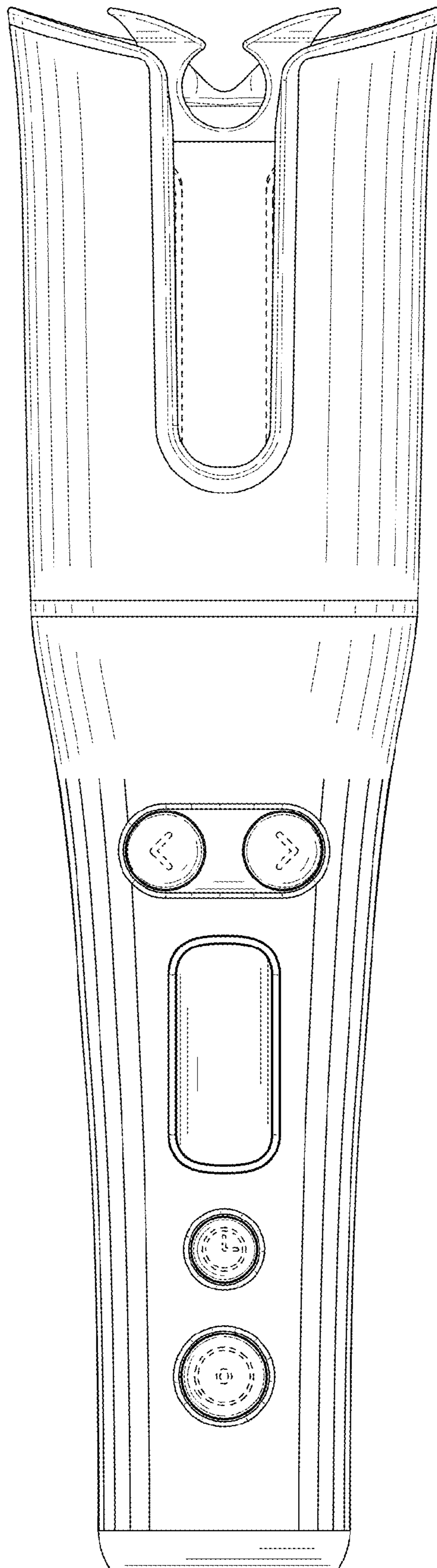


FIG. 3

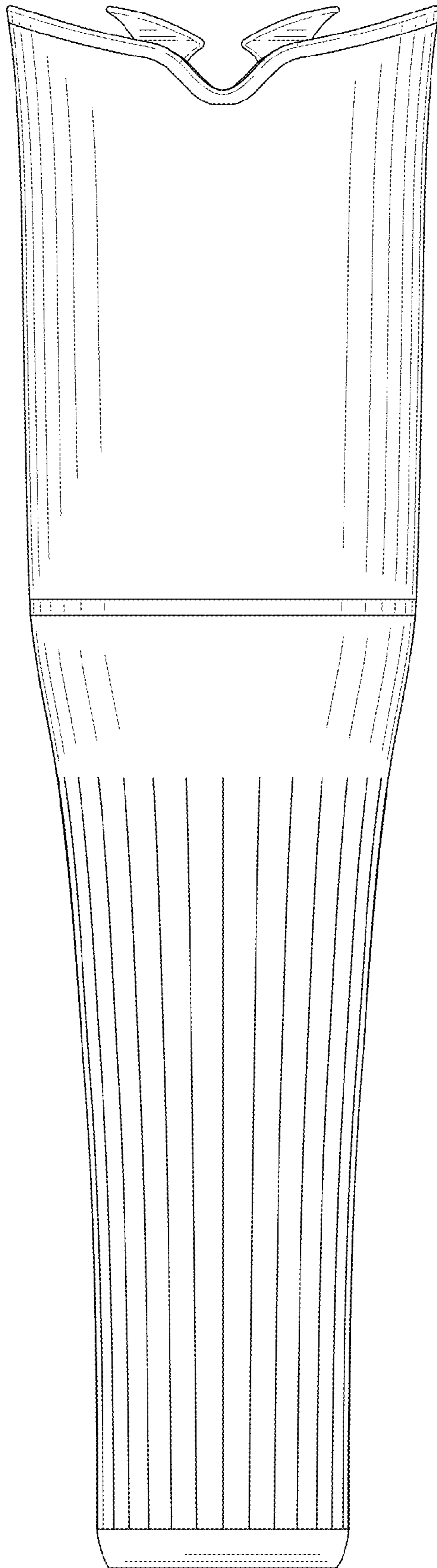


FIG. 4

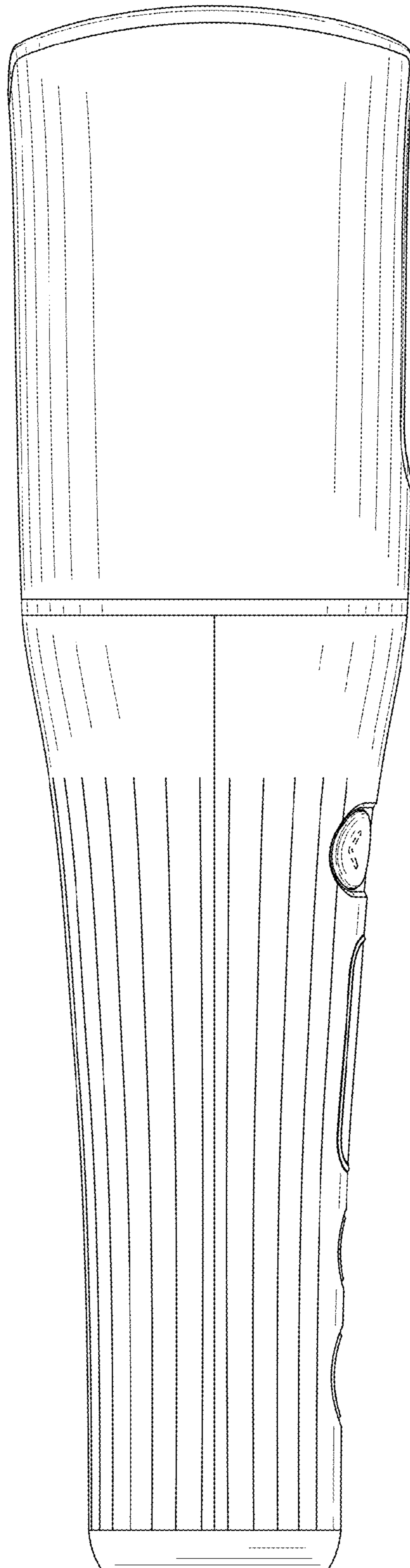


FIG. 5

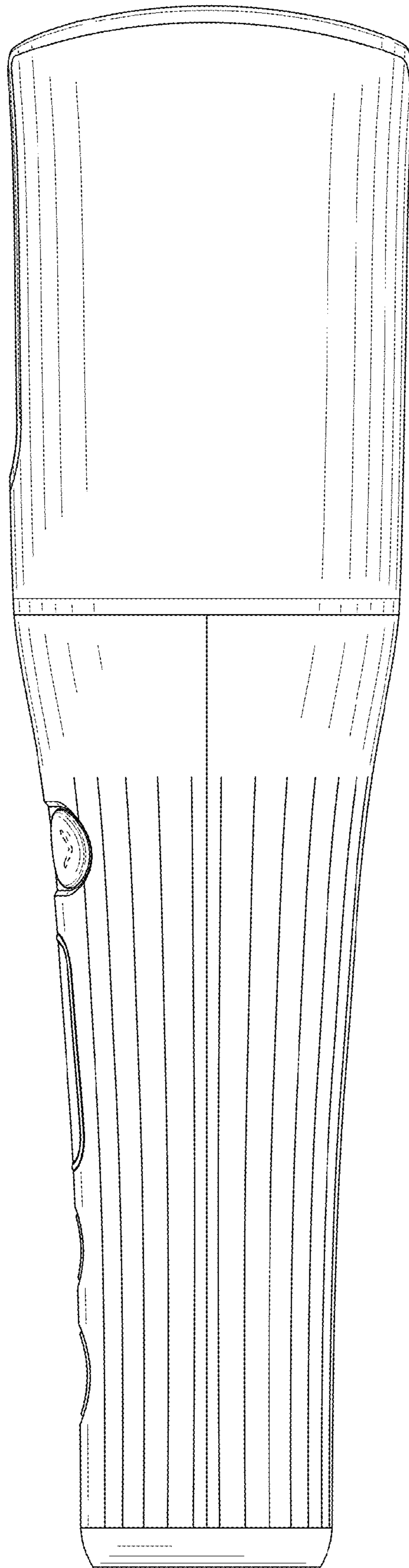


FIG. 6

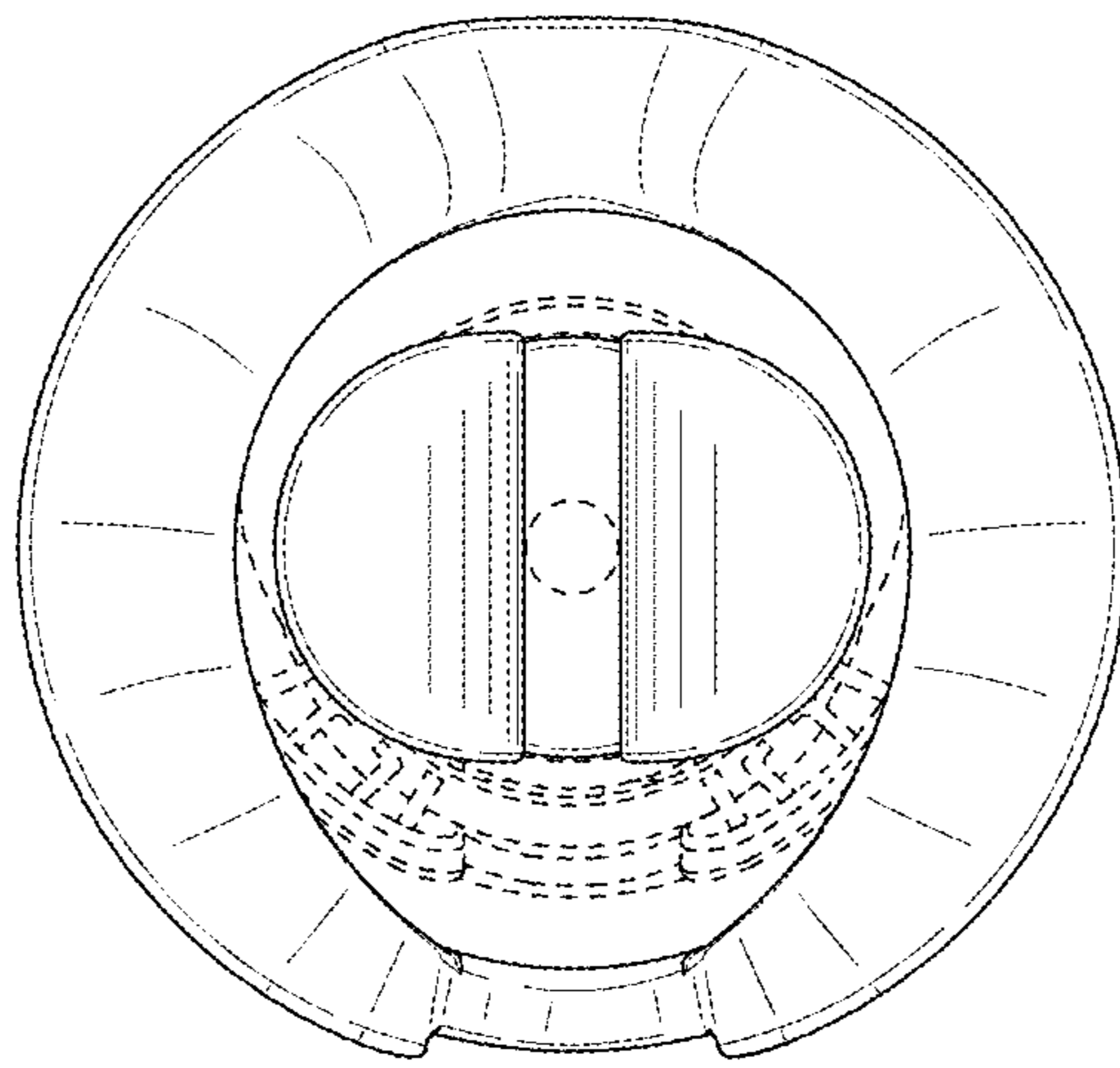


FIG. 7

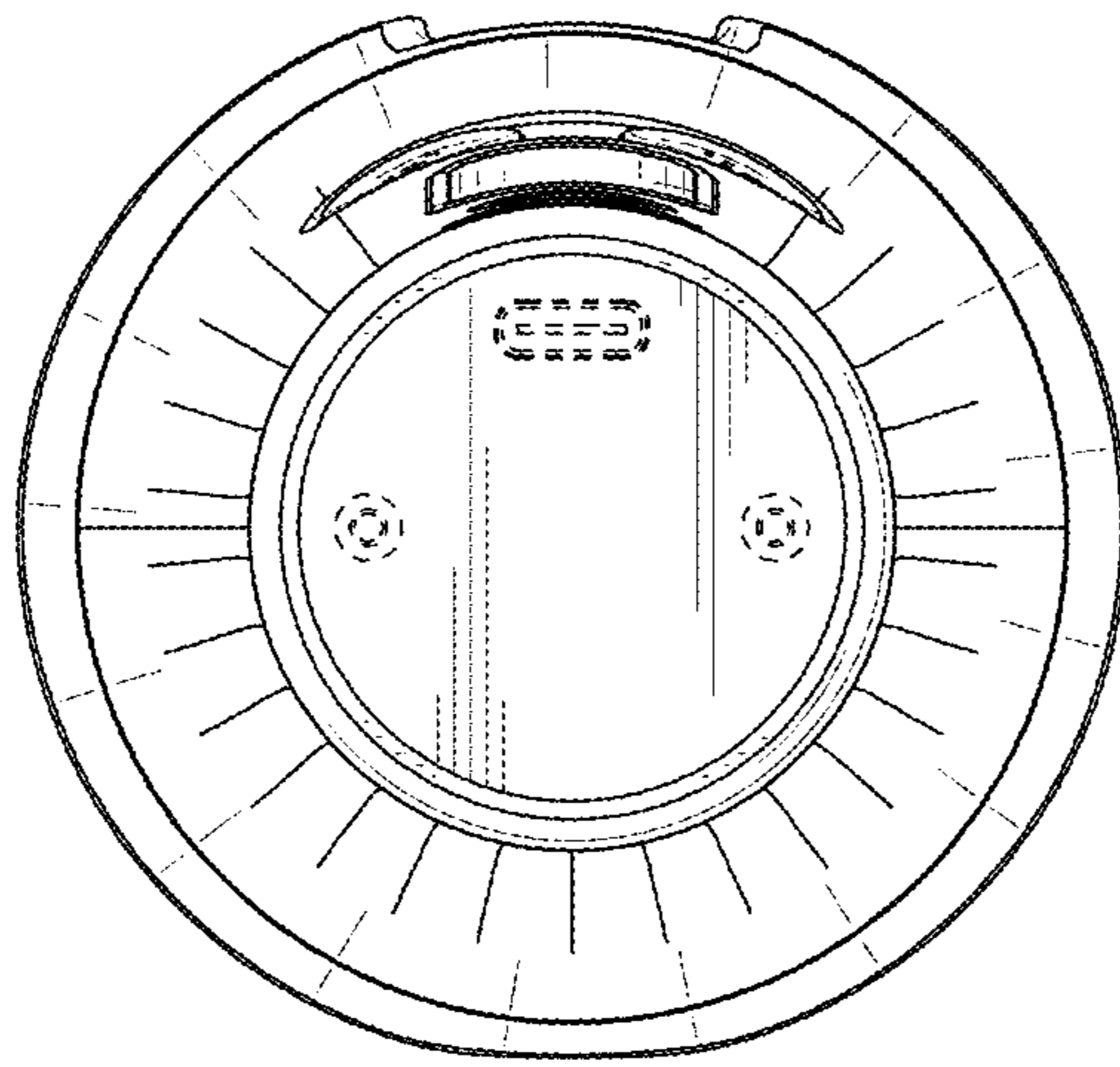


FIG. 8

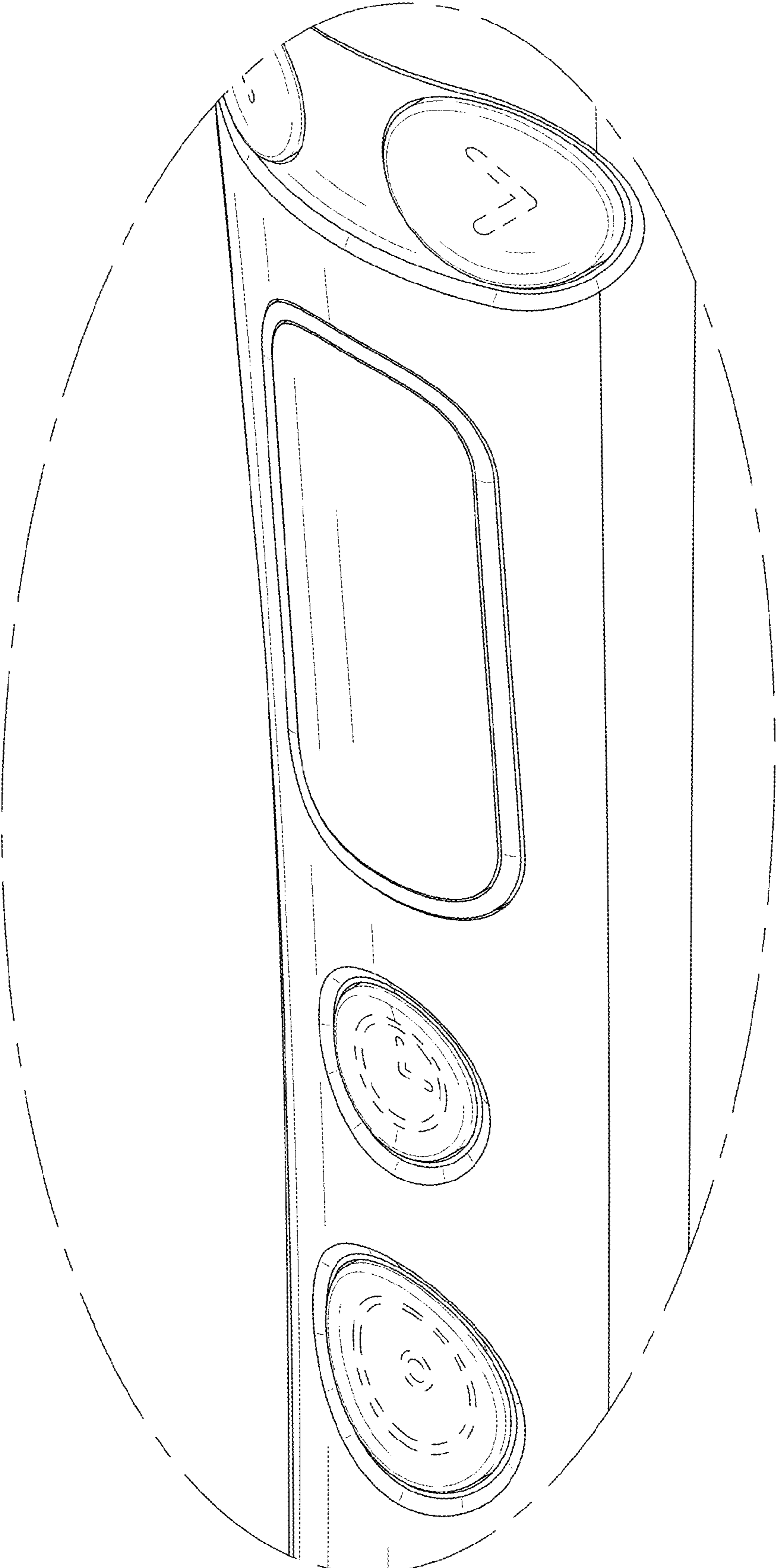


FIG. 9