



US00D978424S

(12) **United States Design Patent** (10) **Patent No.:** **US D978,424 S**
Chu (45) **Date of Patent:** **** Feb. 14, 2023**

(54) **ELECTRIC COMB** D799,117 S 10/2017 Larsen
D805,689 S 12/2017 Gaon
(71) Applicant: **Lu Chu**, Zaozhuang (CN) D843,655 S 3/2019 Davis
D858,877 S 9/2019 Maor
(72) Inventor: **Lu Chu**, Zaozhuang (CN) D872,367 S * 1/2020 Yan D30/158
D919,885 S 5/2021 Liang
D935,690 S * 11/2021 Huang D28/24
(**) Term: **15 Years** D959,839 S * 8/2022 Hu D4/100
D970,117 S * 11/2022 Lambrecht D28/54

(21) Appl. No.: **29/834,580**

(22) Filed: **Apr. 13, 2022**

(51) **LOC (14) Cl.** **28-03**

(52) **U.S. Cl.**
USPC **D28/24**

(58) **Field of Classification Search**
USPC D28/7, 20-34; D30/158, 159
CPC A45D 24/00; A45D 24/005; A45D 24/02;
A45D 24/04; A45D 24/06; A45D 24/14;
A45D 24/22

See application file for complete search history.

(56) **References Cited**

U.S. PATENT DOCUMENTS

D332,505 S * 1/1993 Ward D28/21
8,359,755 B1 * 1/2013 Laube A01K 13/002
30/340
D703,867 S 4/2014 Srivastava
D771,310 S 11/2016 He
D794,249 S 8/2017 Hou
D794,250 S 8/2017 Hou
D796,116 S 8/2017 Watkins

* cited by examiner

Primary Examiner — Zenia I Bennett

(74) *Attorney, Agent, or Firm* — Rumit Ranjit Kanakia

(57) **CLAIM**

The ornamental design for a electric comb, as shown and described.

DESCRIPTION

FIG. 1 is a perspective view of a electric comb showing my new design;

FIG. 2 is another perspective view thereof;

FIG. 3 is a front elevational view thereof;

FIG. 4 is a rear elevational view thereof;

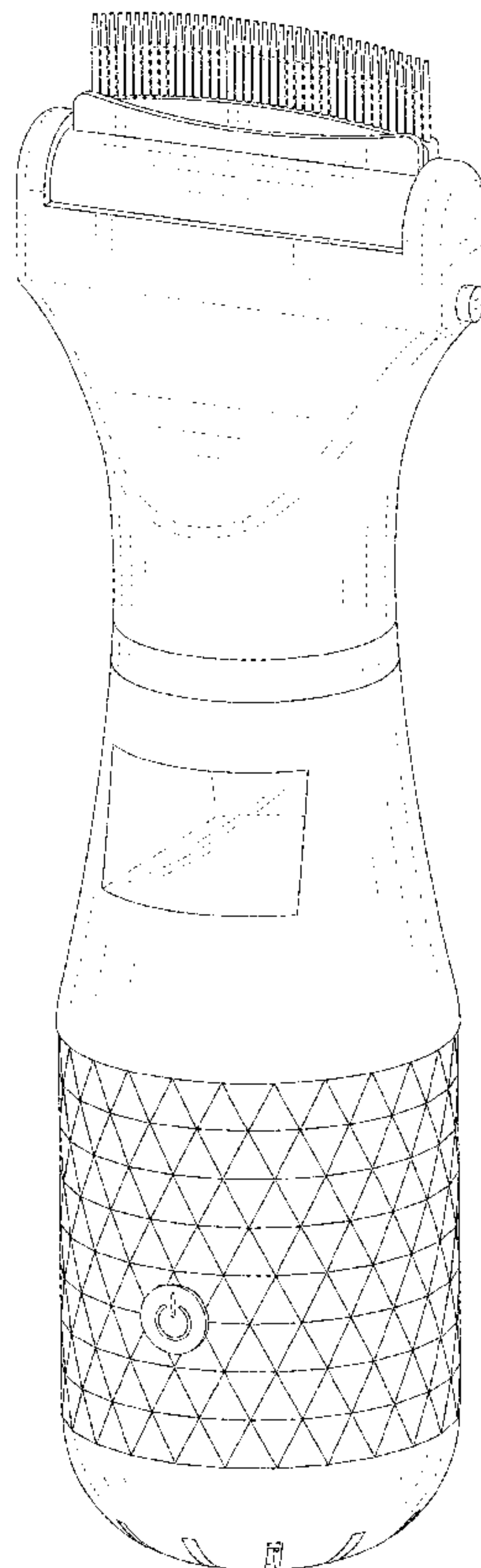
FIG. 5 is a left side view thereof, the right side view being a mirror image thereof;

FIG. 6 is a top plan view thereof; and,

FIG. 7 is a bottom plan view thereof.

The broken lines in the figures are for the purposes of illustrating portions of the electric comb, which form no part of the claimed design.

1 Claim, 6 Drawing Sheets



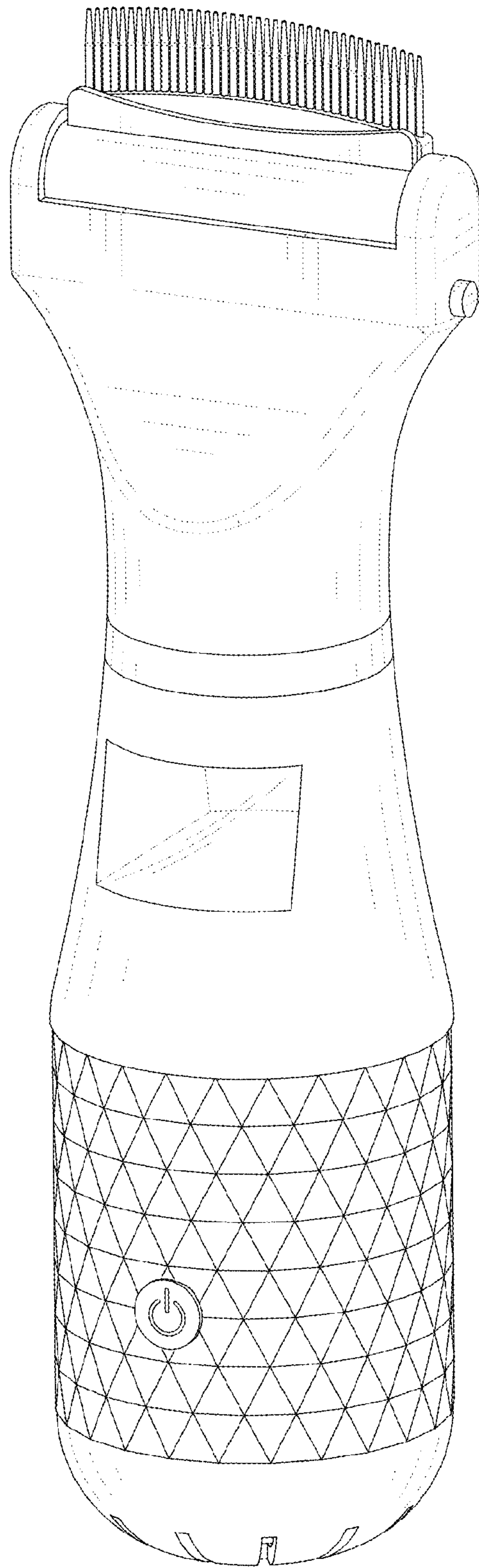


FIG. 1

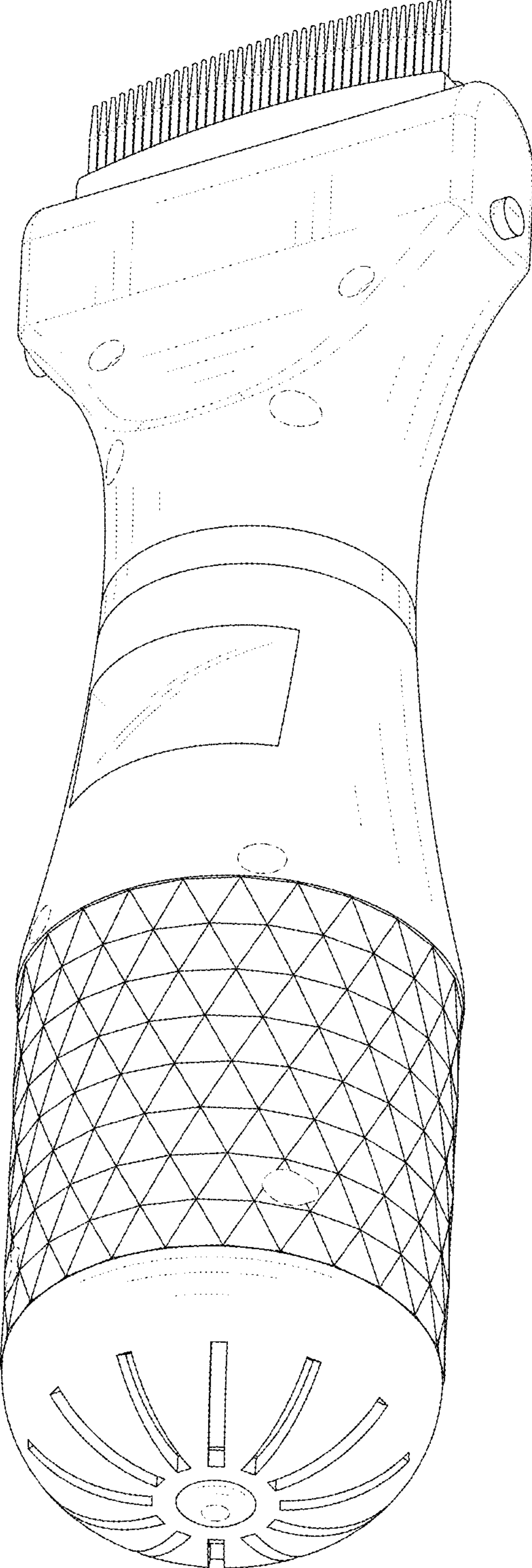


FIG. 2

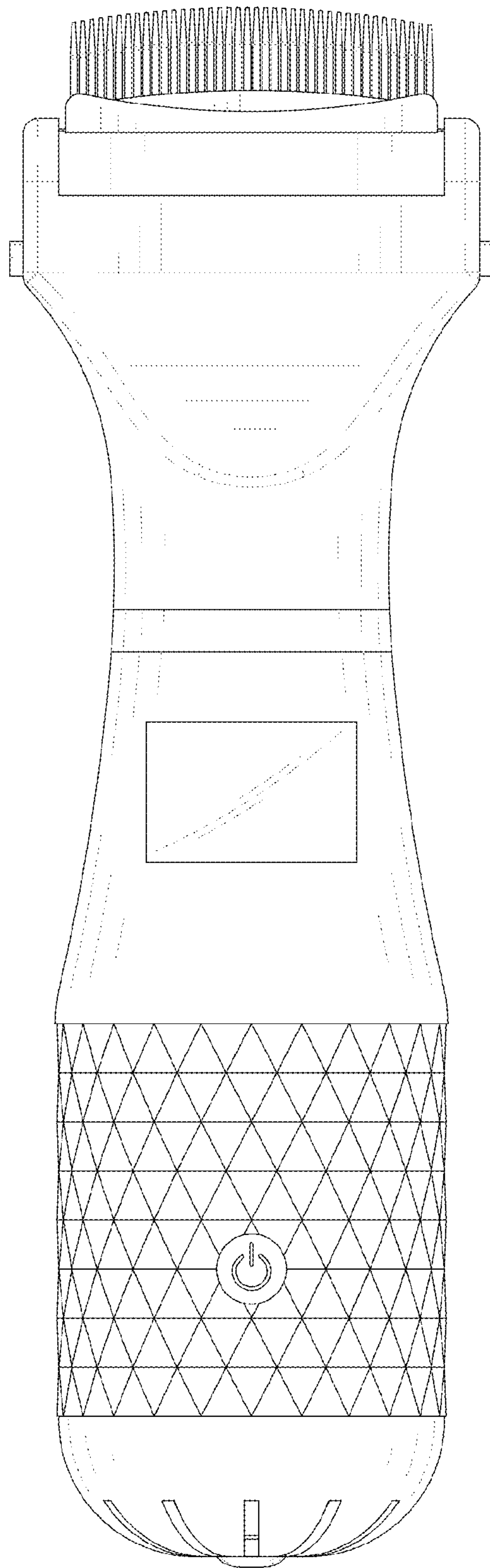


FIG. 3

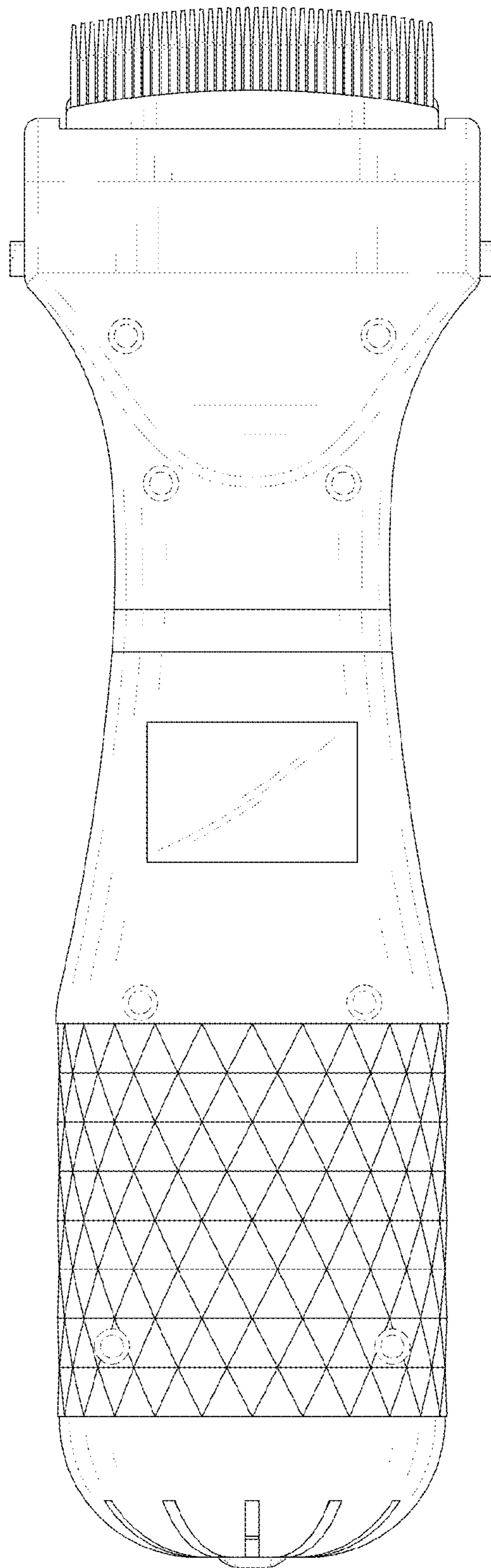


FIG. 4

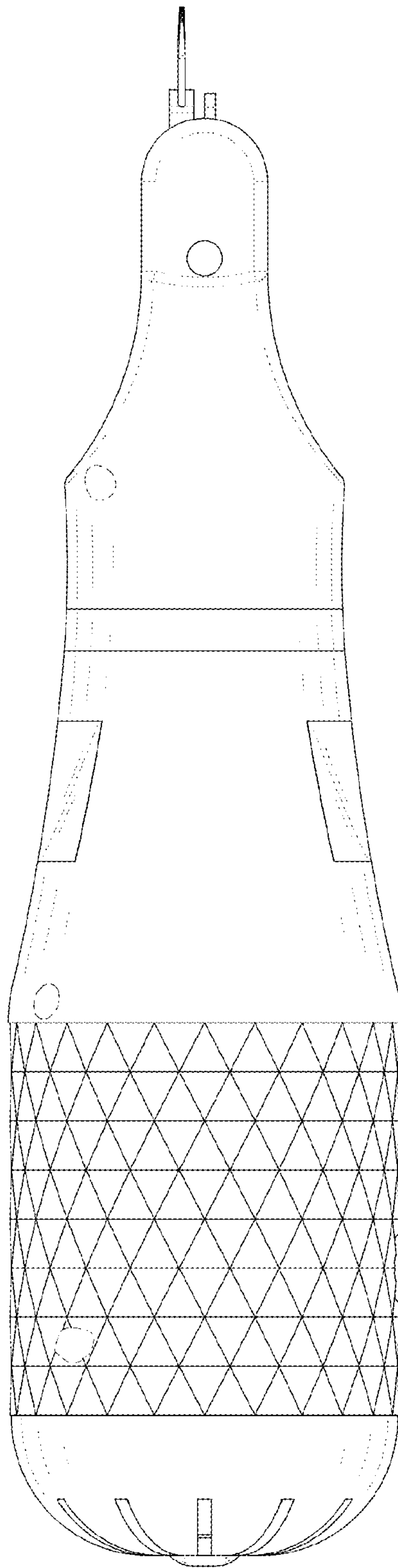


FIG. 5

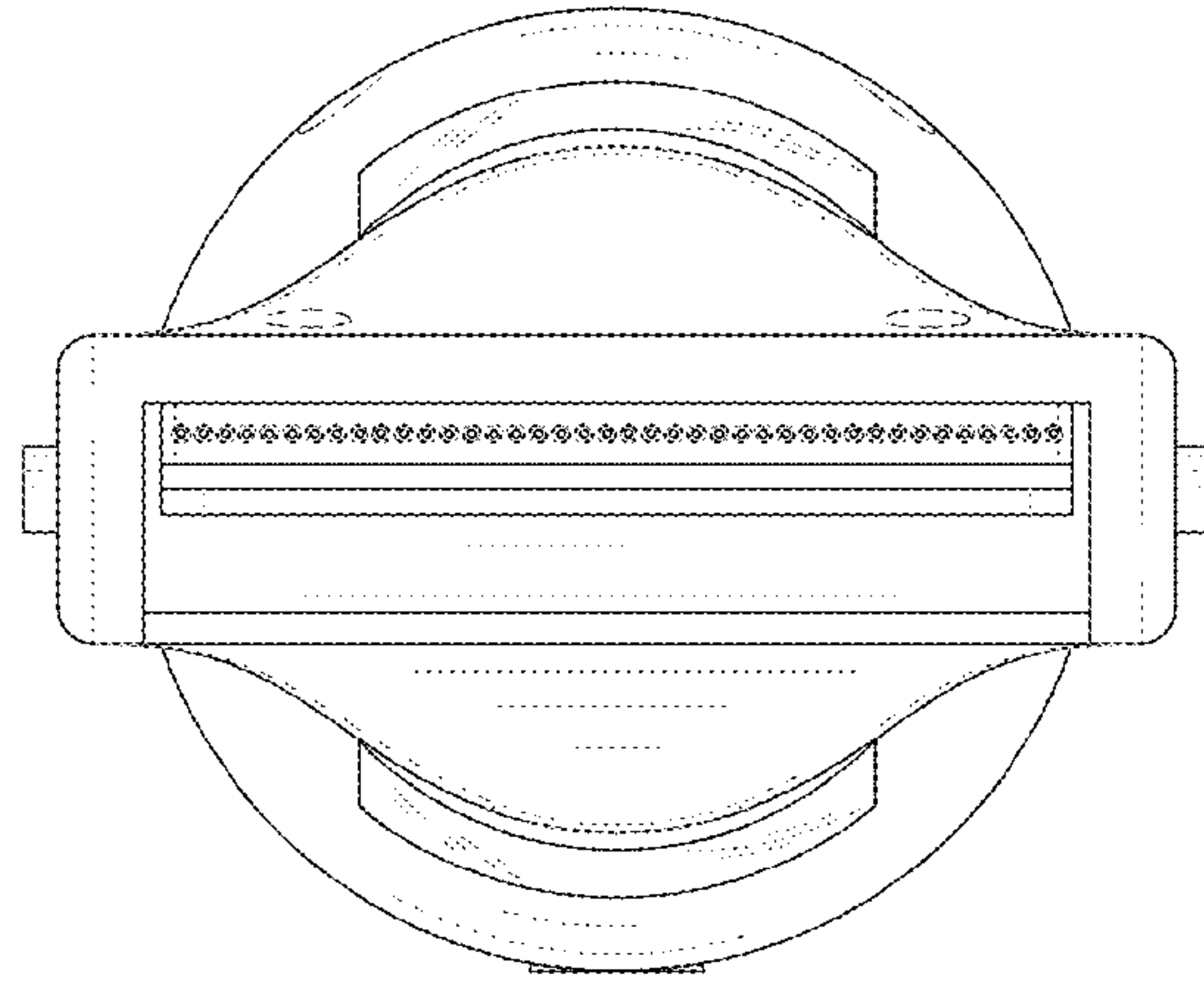


FIG. 6

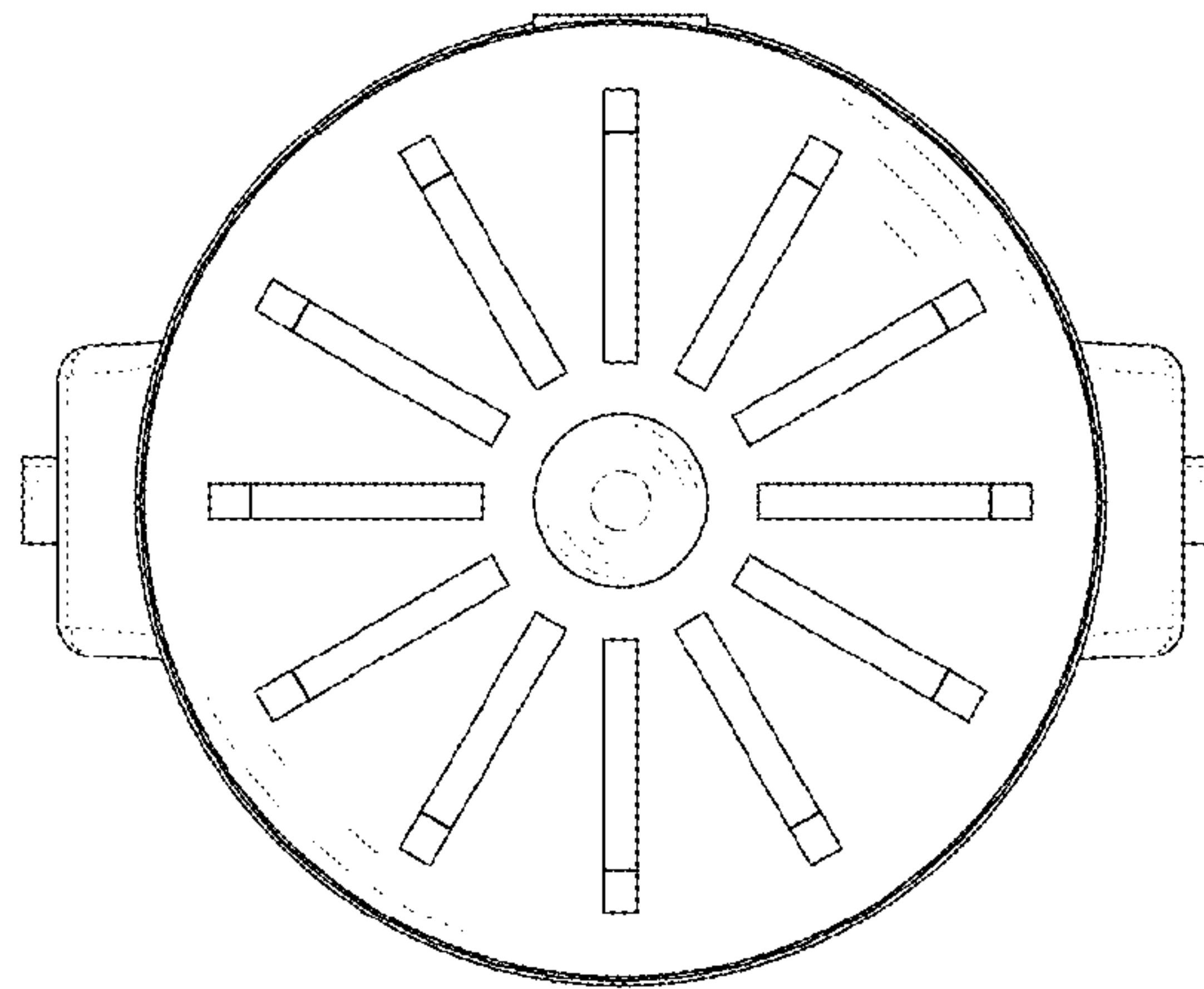


FIG. 7