



US00D978423S

(12) **United States Design Patent** (10) **Patent No.:** **US D978,423 S**
Goradesky (45) **Date of Patent:** **** Feb. 14, 2023**

(54) **STORAGE CONTAINER WITH TWO LIDS**
(71) Applicant: **Buddy Box, LLC**, Weston, FL (US)
(72) Inventor: **Harold Scot Goradesky**, Plantation, FL (US)
(73) Assignee: **Buddy Box, LLC**, Weston, FL (US)
(**) Term: **15 Years**
(21) Appl. No.: **29/770,762**
(22) Filed: **Feb. 16, 2021**
(51) **LOC (14) Cl.** **27-06**
(52) **U.S. Cl.**
USPC **D27/189**
(58) **Field of Classification Search**
USPC D27/189, 186, 187, 188, 183, 184, 172;
D9/503, 420, 435, 770, 499, 504
(Continued)

(56) **References Cited**
U.S. PATENT DOCUMENTS
D273,426 S * 4/1984 Zucker D27/187
D363,568 S * 10/1995 Ghrawi D9/414
(Continued)

Primary Examiner — Rebecca Tsehaye
(74) *Attorney, Agent, or Firm* — Christopher & Weisberg, P.A.

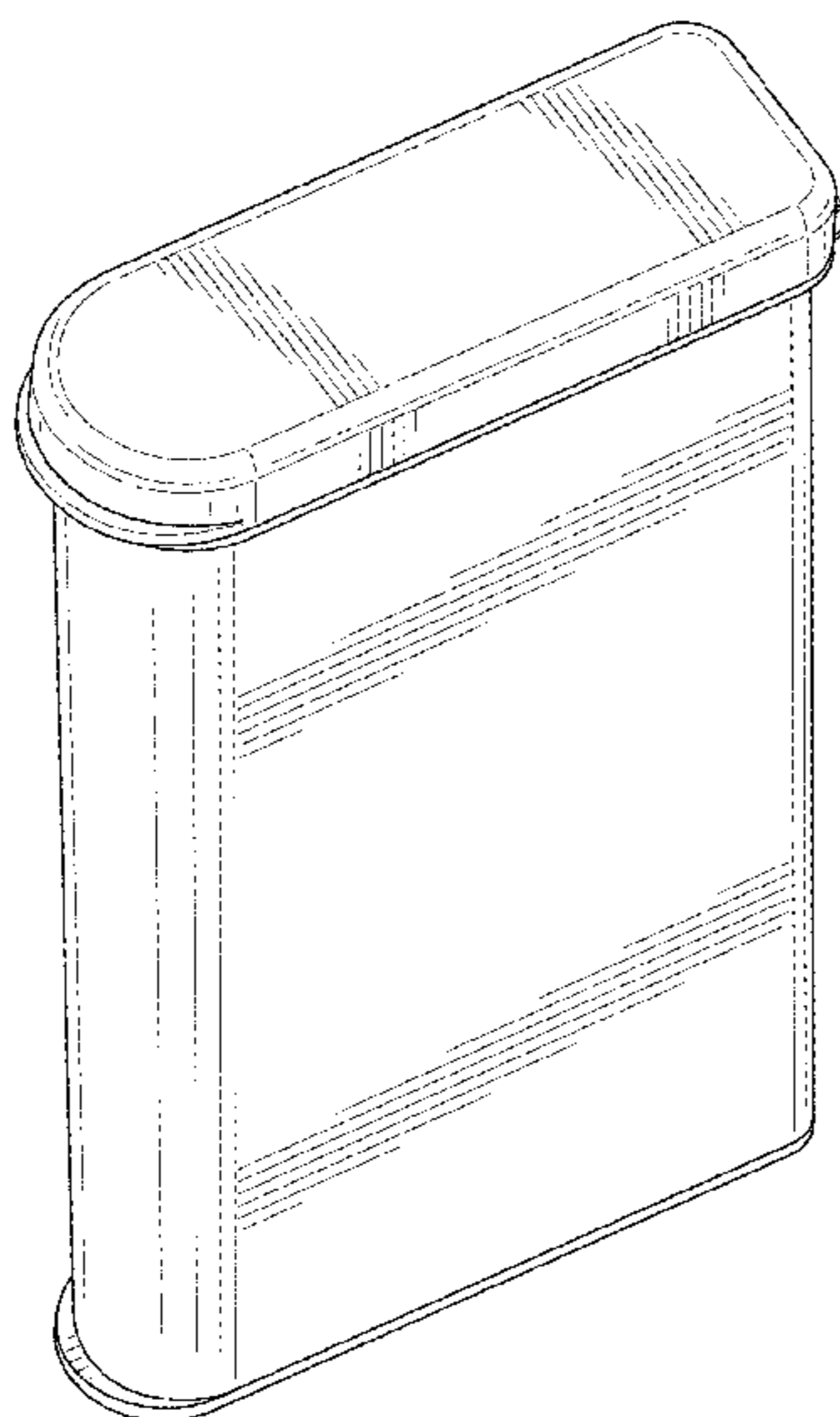
(57) **CLAIM**
The ornamental design for a storage container with two lids, as shown.

DESCRIPTION

FIG. 1 is an upper perspective view of a first embodiment of a storage container with two lids with the lids of the storage container closed;

FIG. 2 is a lower perspective view thereof;
FIG. 3 is a front view thereof;
FIG. 4 is a rear view thereof;
FIG. 5 is a left side view thereof;
FIG. 6 is a right side view thereof;
FIG. 7 is a top view thereof;
FIG. 8 is a bottom view thereof;
FIG. 9 is an upper perspective view of the first embodiment of the storage container with two lids with the lids of the storage container open;
FIG. 10 is a lower perspective view thereof;
FIG. 11 is a front view thereof;
FIG. 12 is a rear view thereof;
FIG. 13 is a left side view thereof;
FIG. 14 is a right side view thereof;
FIG. 15 is a top view thereof;
FIG. 16 is a bottom view thereof;
FIG. 17 is an upper perspective view of a second embodiment of the storage container with two lids with the lids of the storage container closed;
FIG. 18 is a lower perspective view thereof;
FIG. 19 is a front view thereof;
FIG. 20 is a rear view thereof;
FIG. 21 is a left side view thereof;
FIG. 22 is a right side view thereof;
FIG. 23 is a top view thereof;
FIG. 24 is a bottom view thereof;
FIG. 25 is an upper perspective view of the second embodiment of the storage container with two lids with the lids of the storage container open;
FIG. 26 is a lower perspective view thereof;
FIG. 27 is a front view thereof;
FIG. 28 is a rear view thereof;
FIG. 29 is a left side view thereof;
FIG. 30 is a right side view thereof;
FIG. 31 is a top view thereof; and,
FIG. 32 is a bottom view thereof.
The broken lines in the drawings depict portions of the storage container with two lids that form no part of the claimed design.

1 Claim, 22 Drawing Sheets



(58) **Field of Classification Search**

CPC A24B 13/02; A24B 13/06; A24B 13/12;
A24B 13/16; A24F 15/02; A24F 15/00

See application file for complete search history.

(56) **References Cited**

U.S. PATENT DOCUMENTS

D479,357 S * 9/2003 Focke D27/189
D510,777 S * 10/2005 Engel D27/189
D554,287 S * 10/2007 Sugiharto D27/189
D719,701 S * 12/2014 Scatterday D27/189
D733,961 S * 7/2015 Wu D27/189
D770,090 S * 10/2016 Zahr D27/189
10,258,081 B1 * 4/2019 Goradesky A24F 23/04
D939,341 S * 12/2021 Goradesky D9/423
2022/0242656 A1 * 8/2022 Goradesky A24F 15/12
2022/0369700 A1 * 11/2022 Goradesky A24F 13/22

* cited by examiner

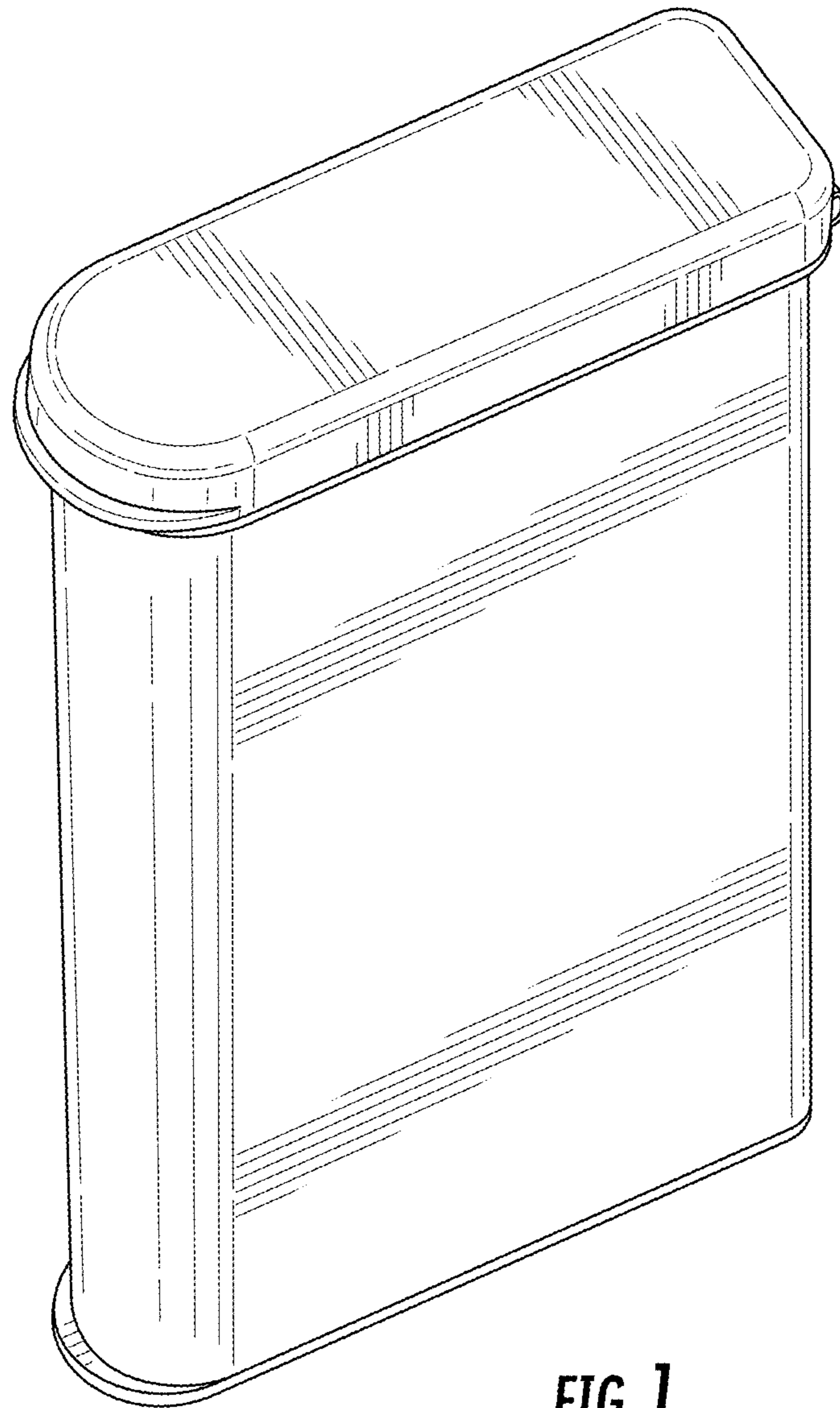


FIG. 1

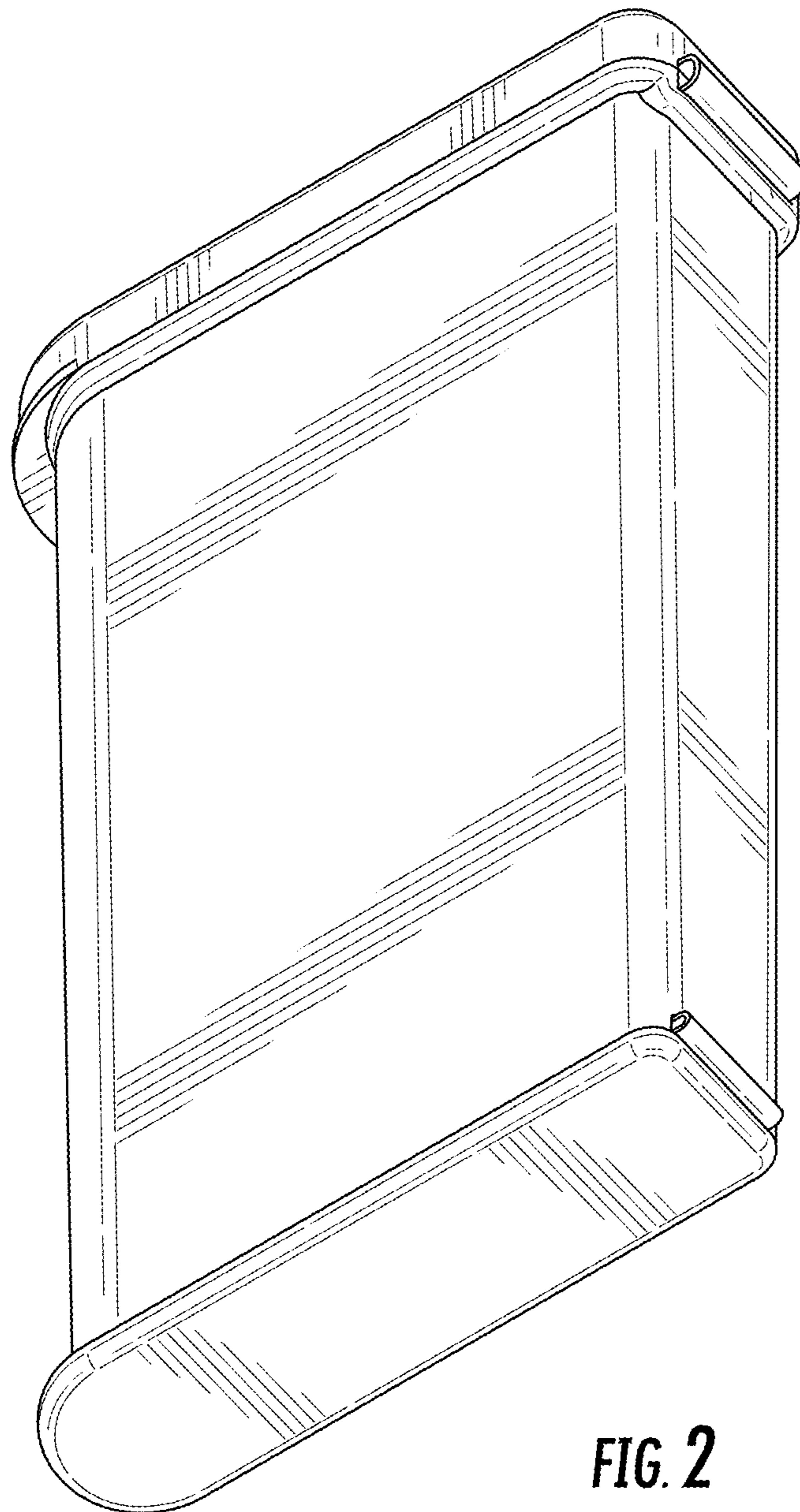


FIG. 2

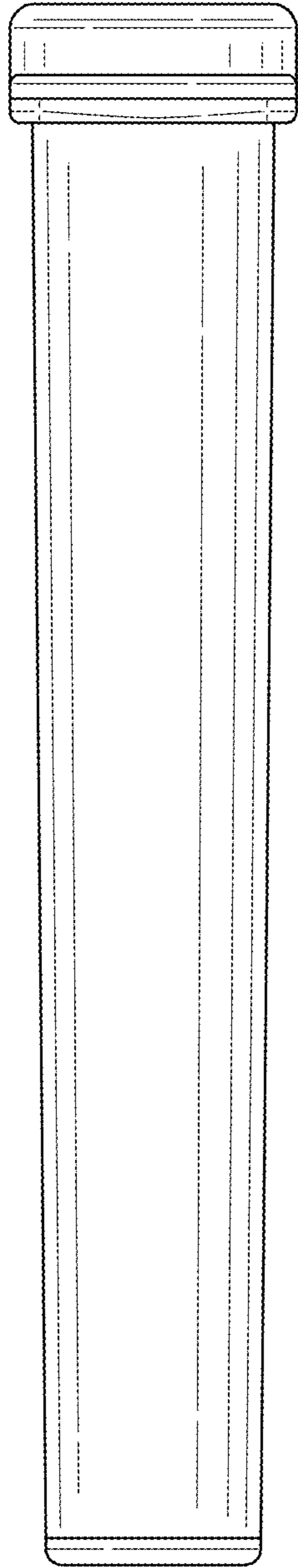


FIG. 3

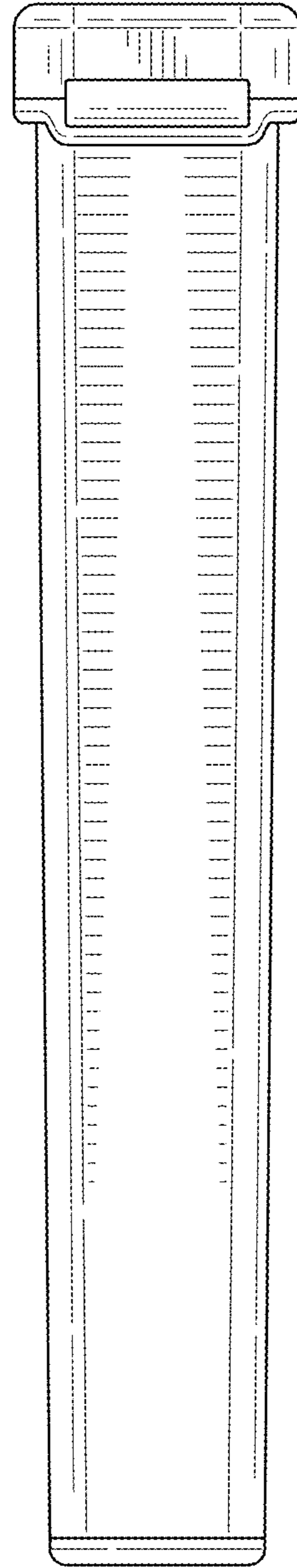


FIG. 4

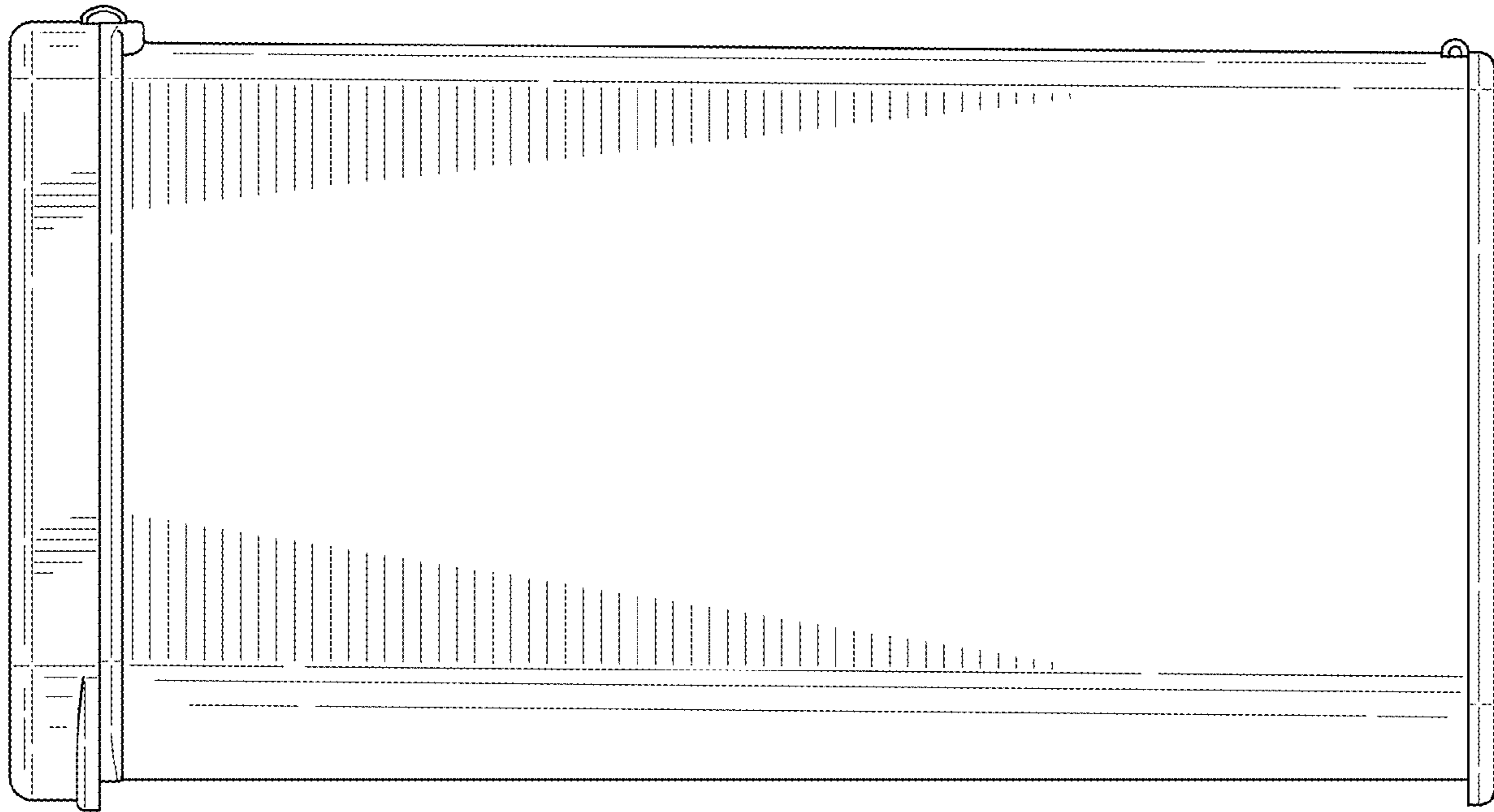


FIG. 6

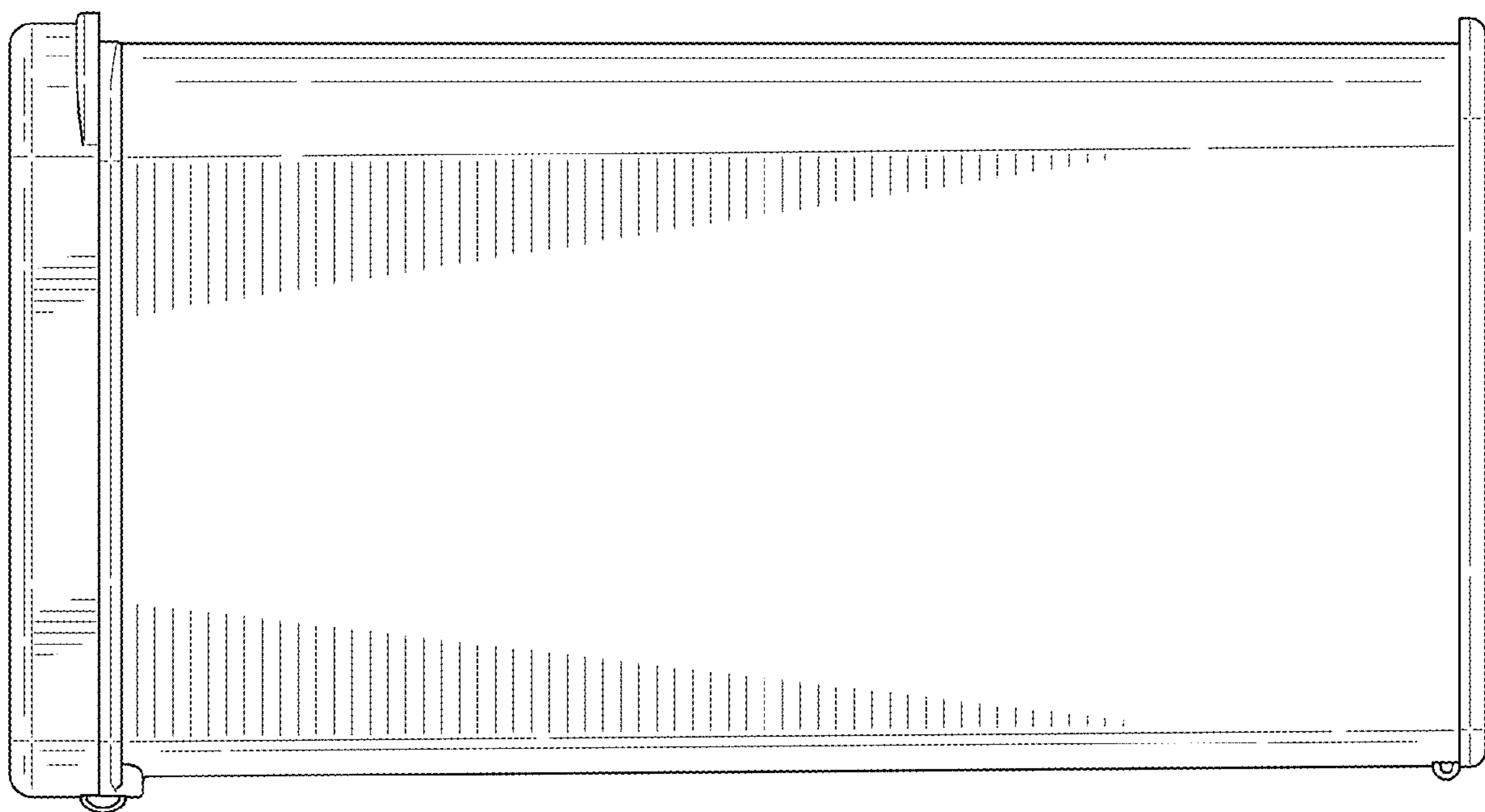


FIG. 5

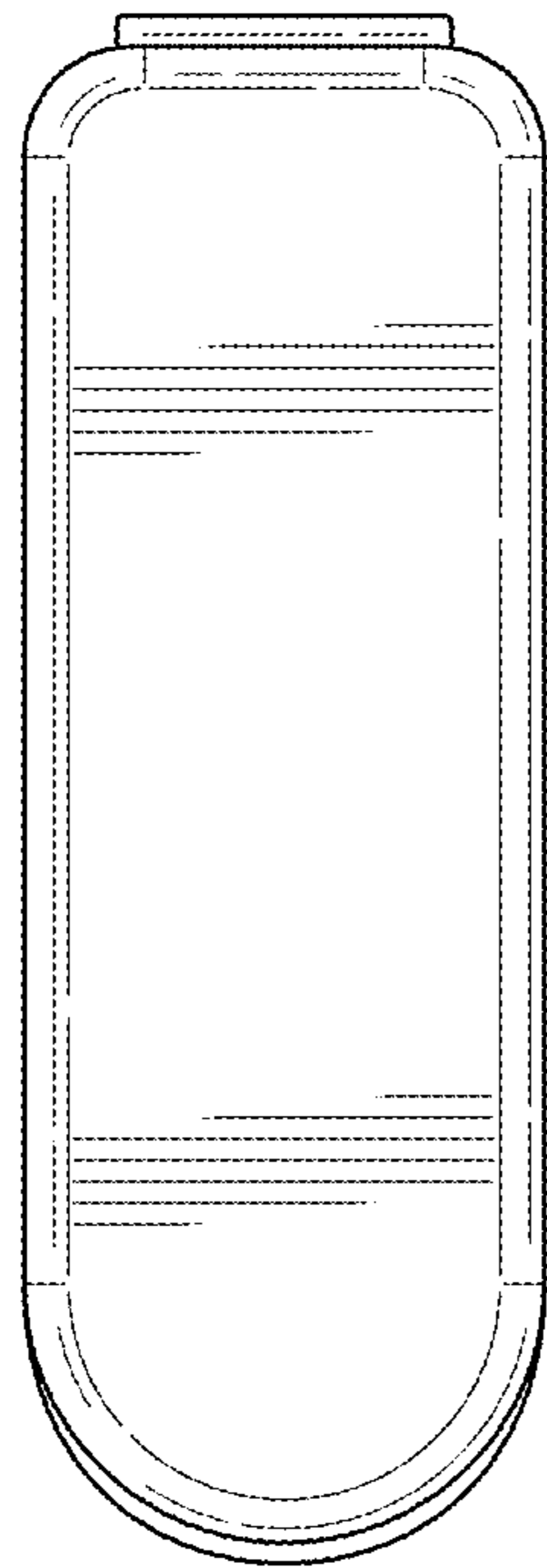


FIG. 7

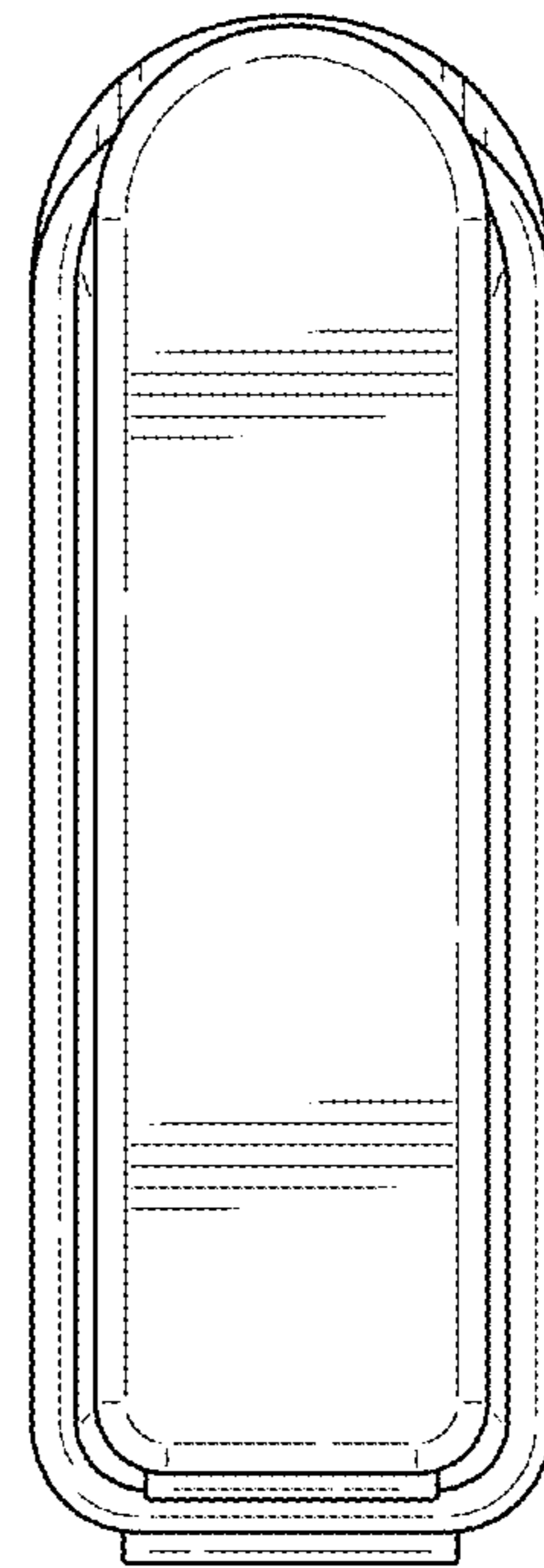


FIG. 8

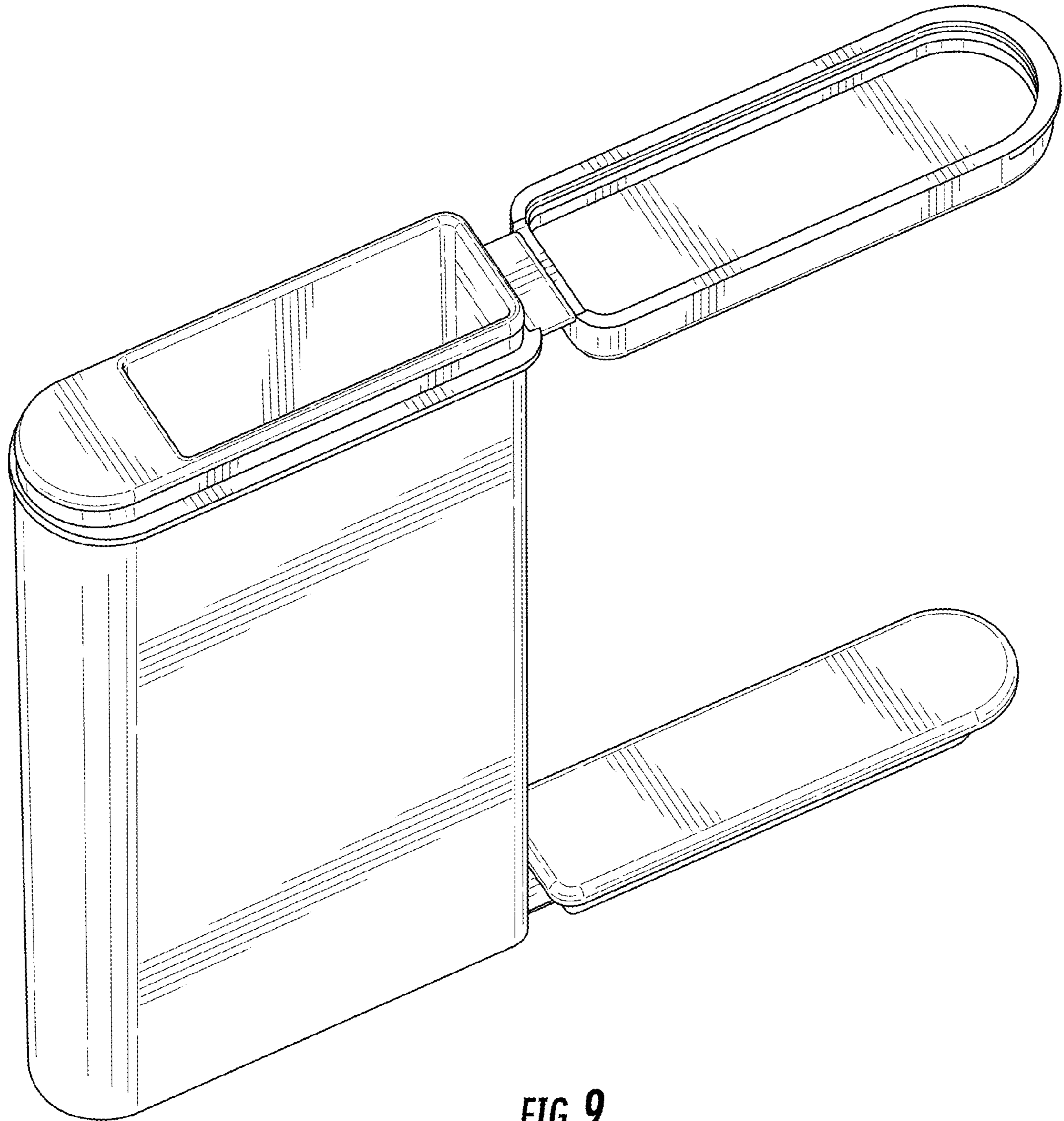


FIG. 9

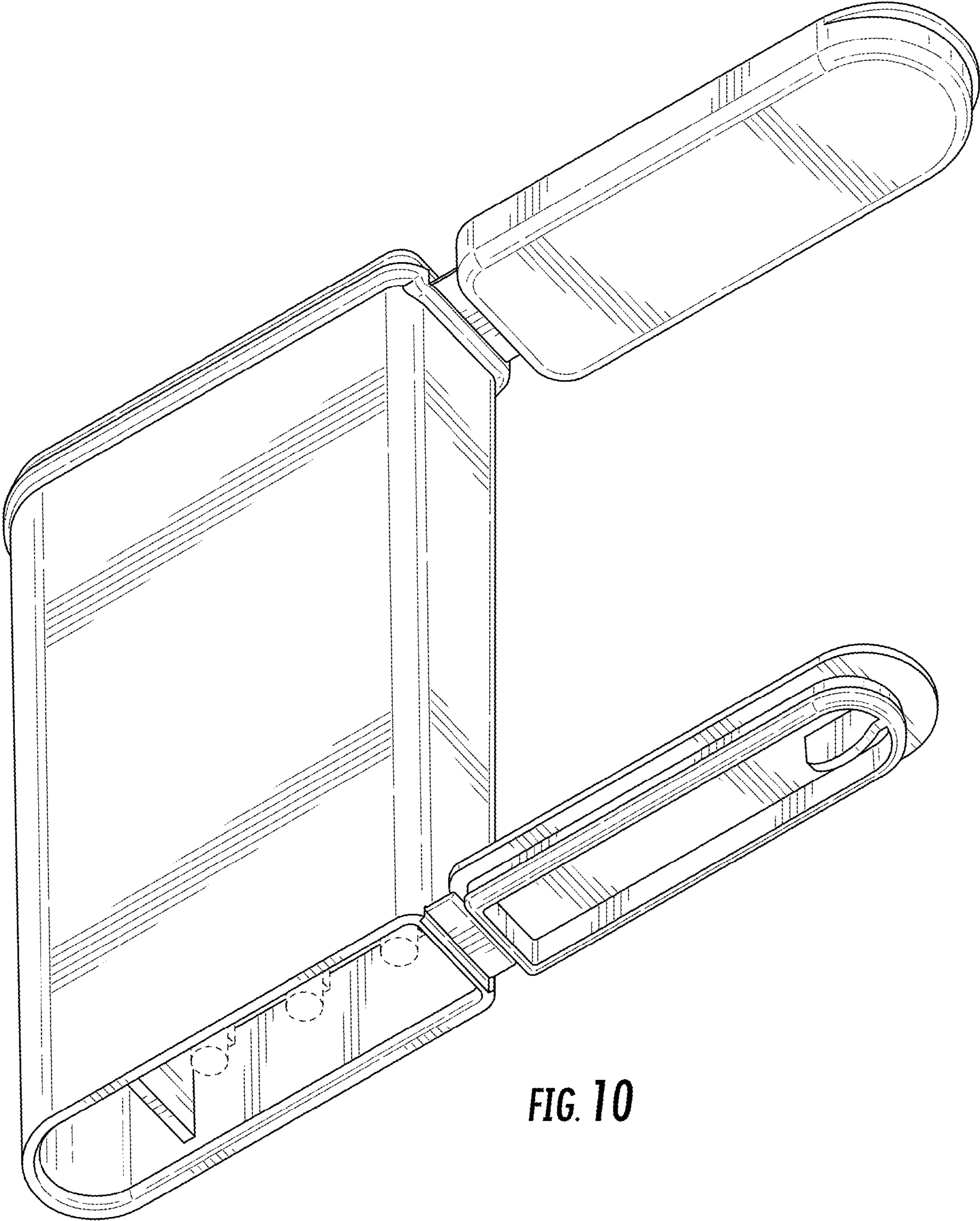


FIG. 10

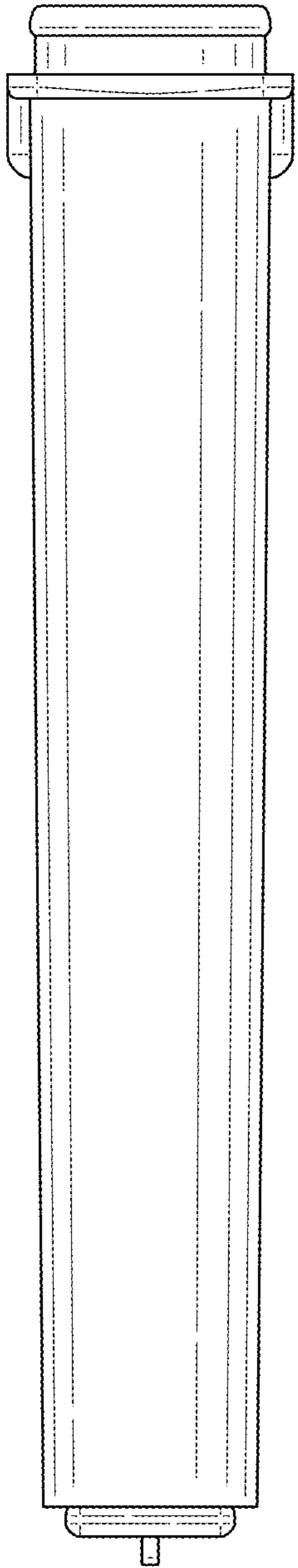


FIG. 11

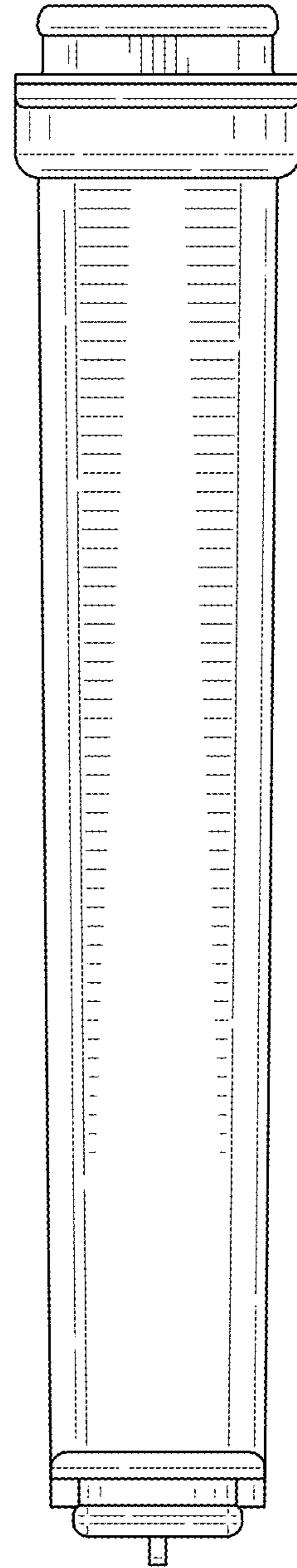
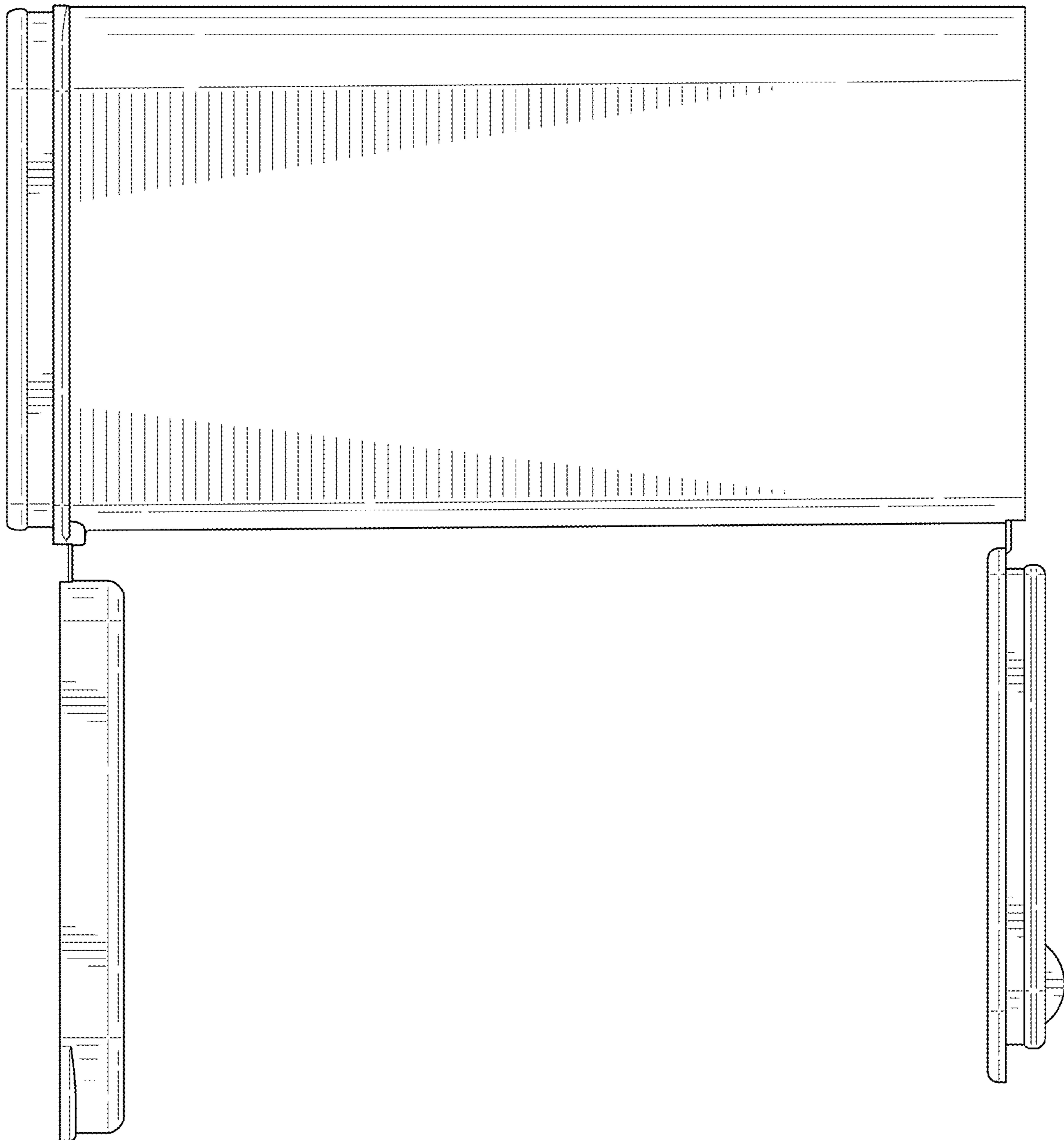


FIG. 12

FIG. 13



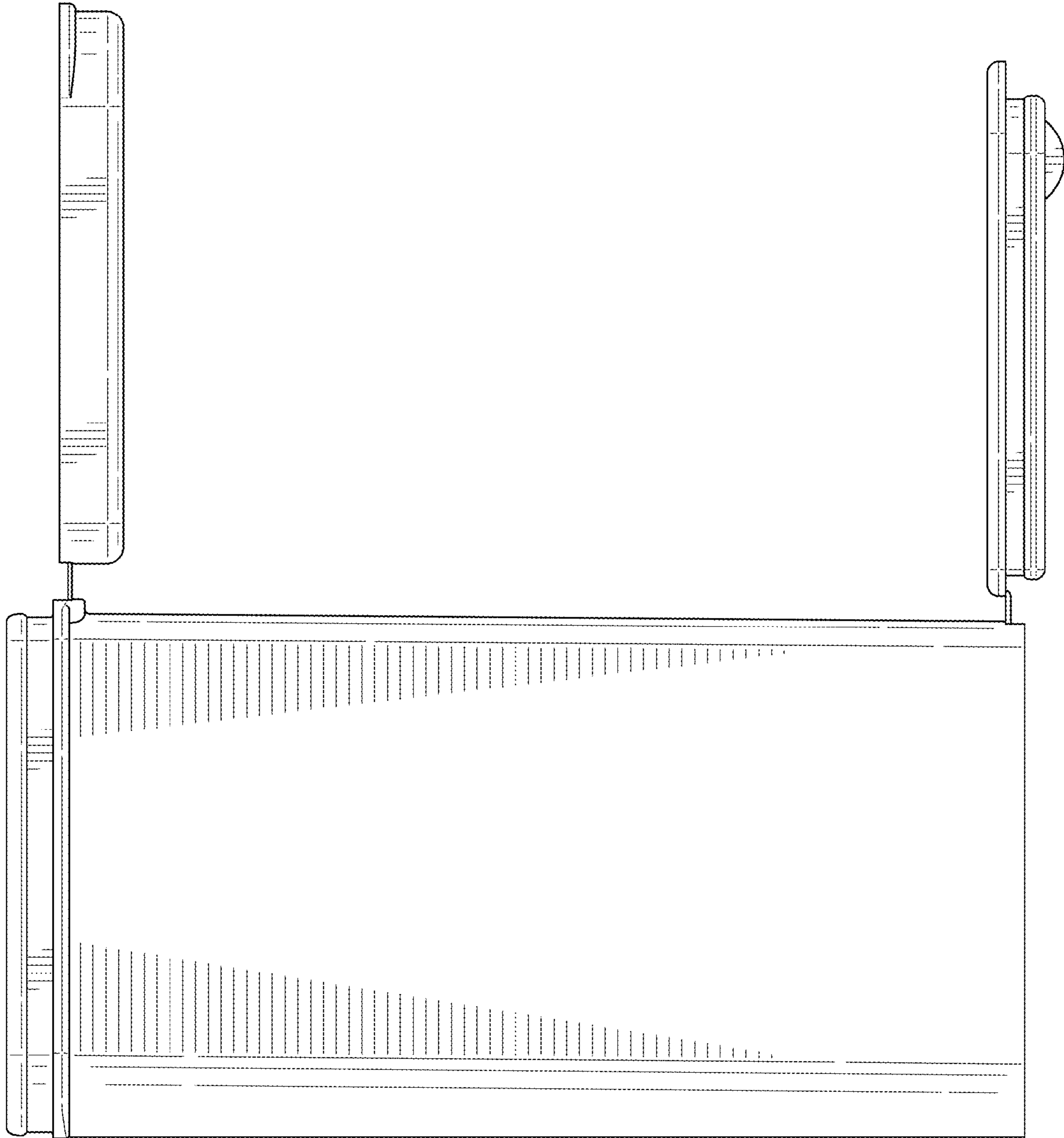


FIG. 14

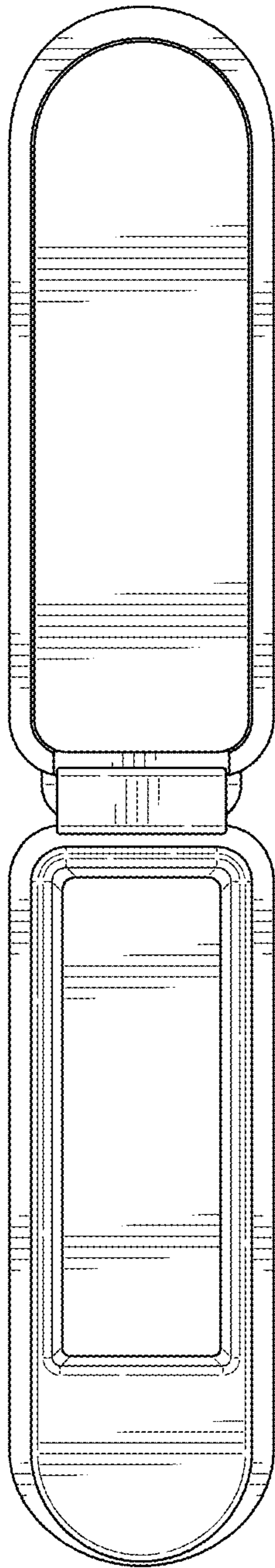


FIG. 15

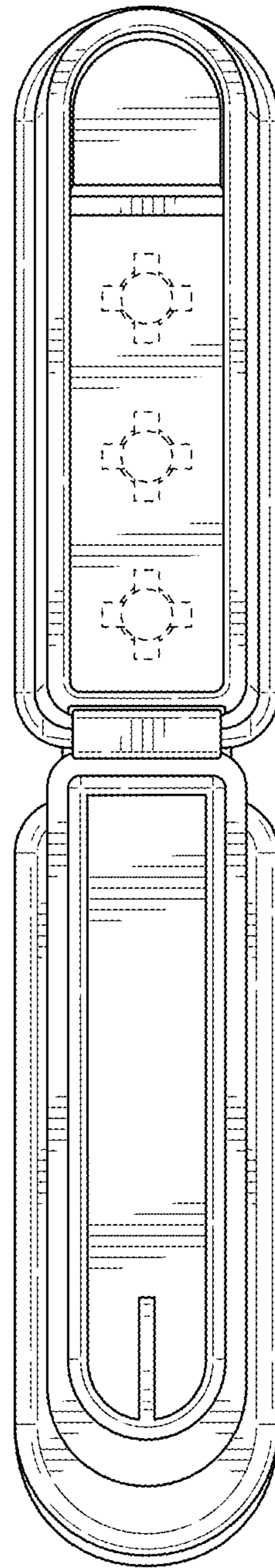


FIG. 16

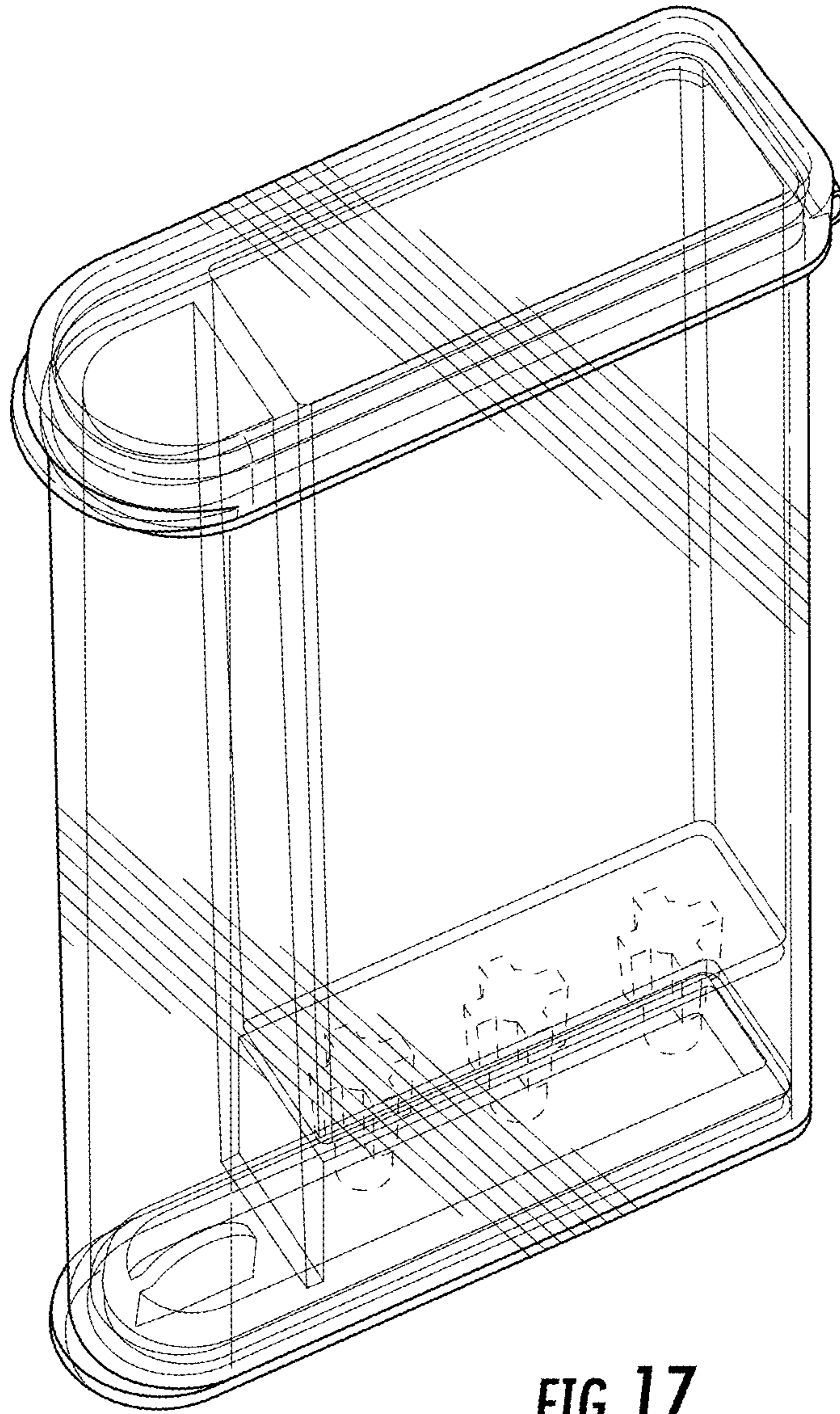
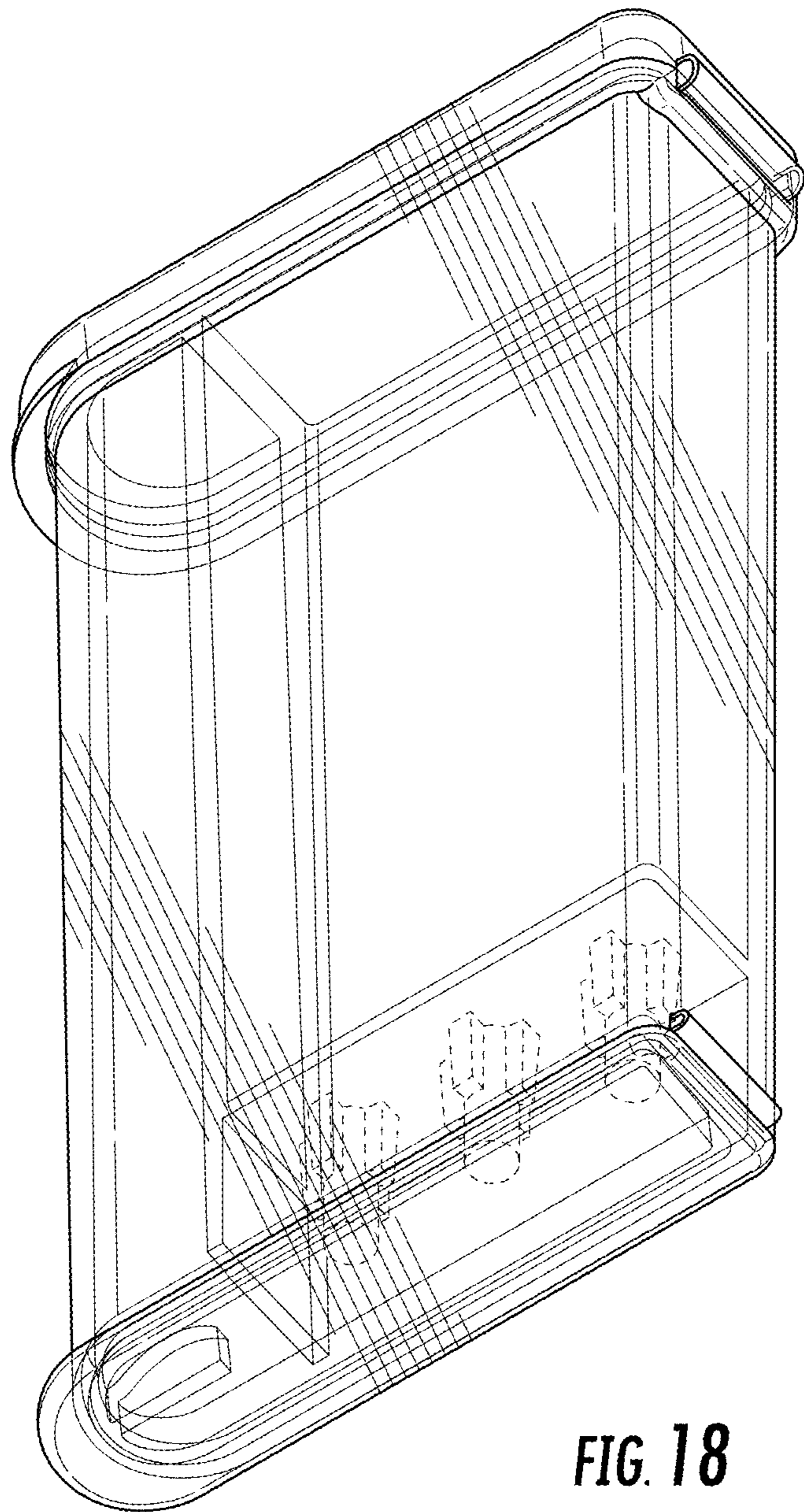


FIG. 17



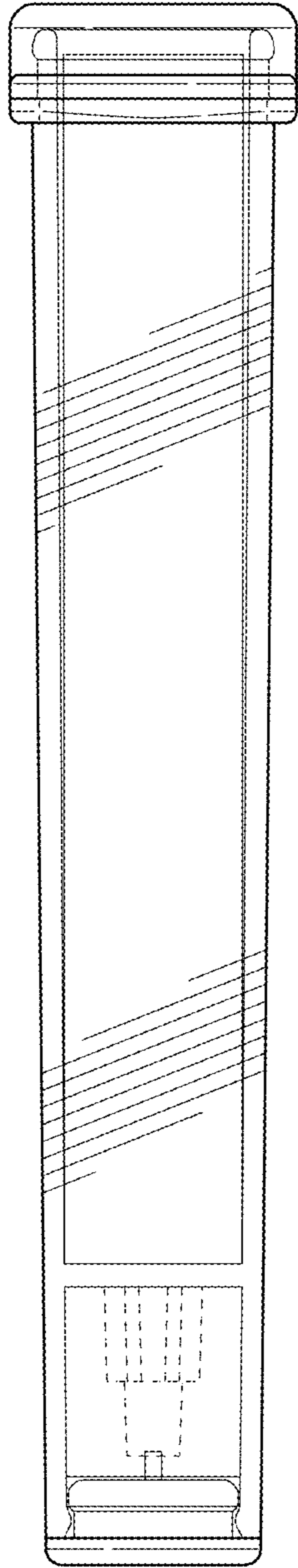


FIG. 19

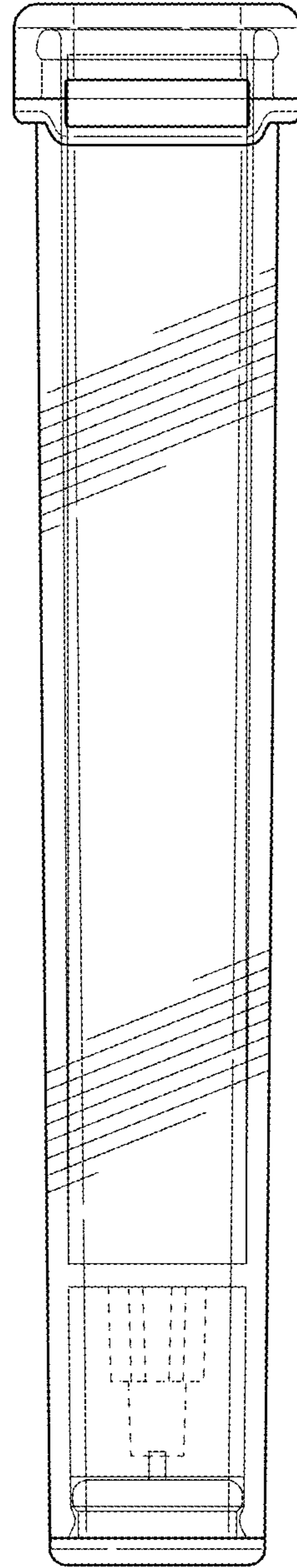


FIG. 20

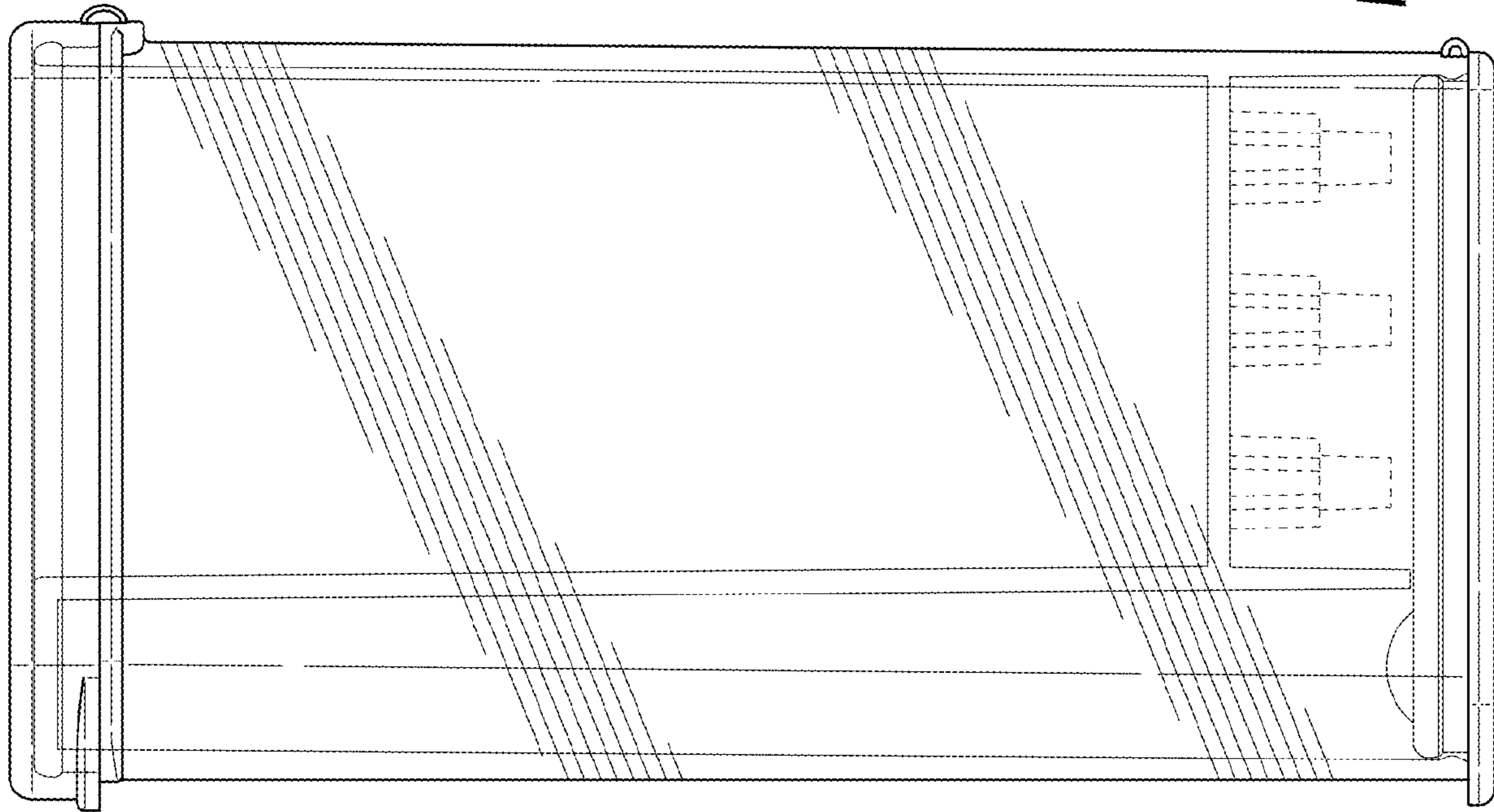


FIG. 21

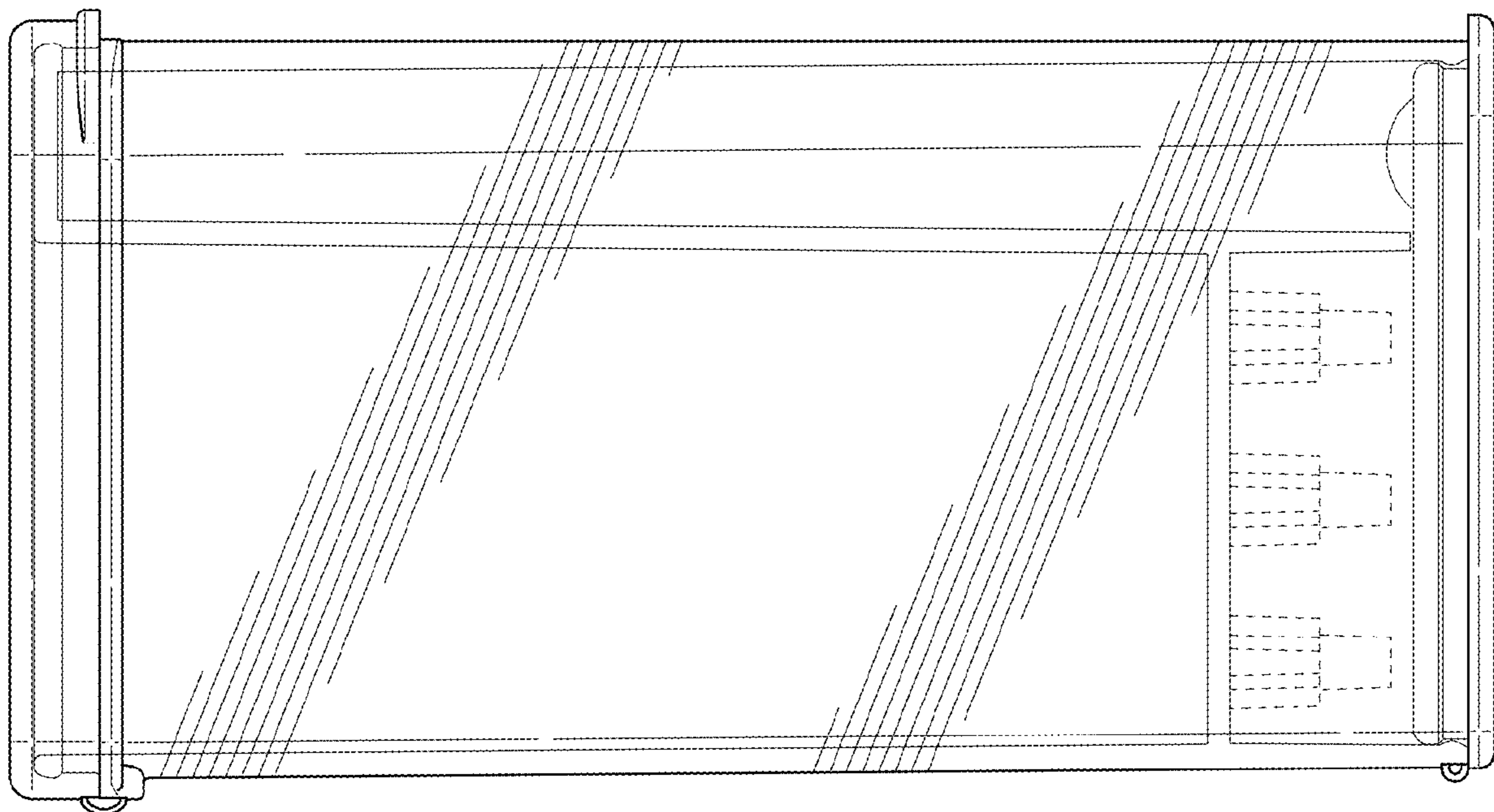


FIG. 22

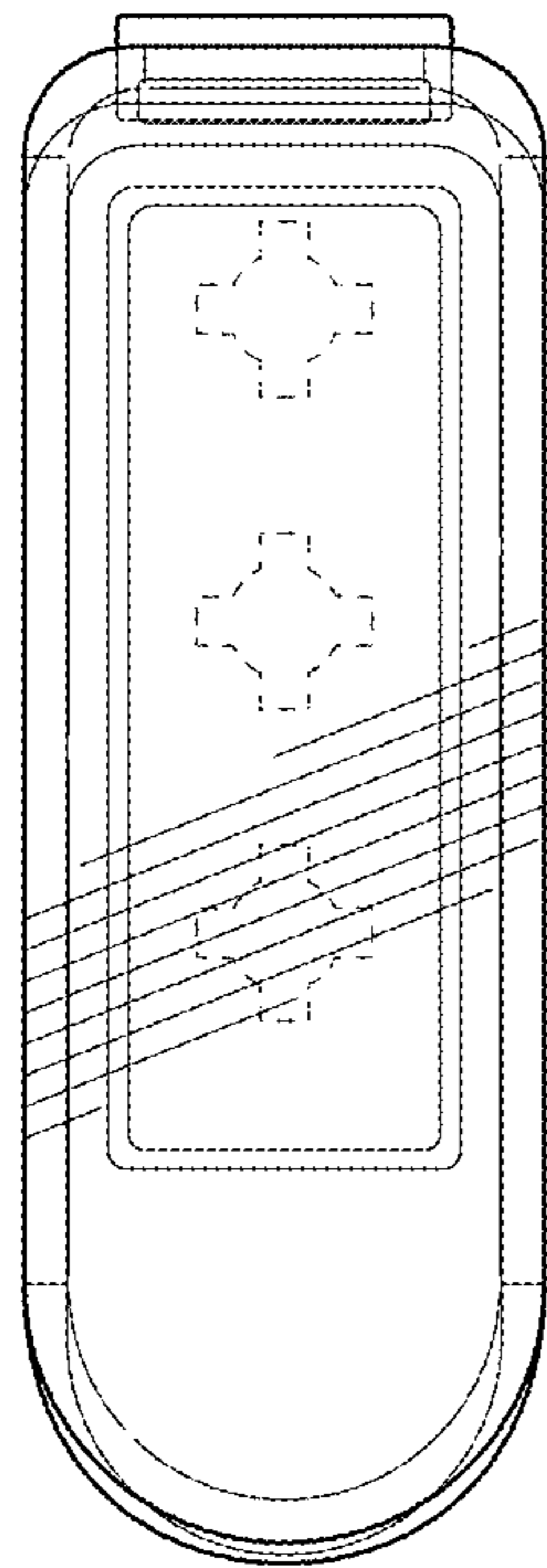


FIG. 23

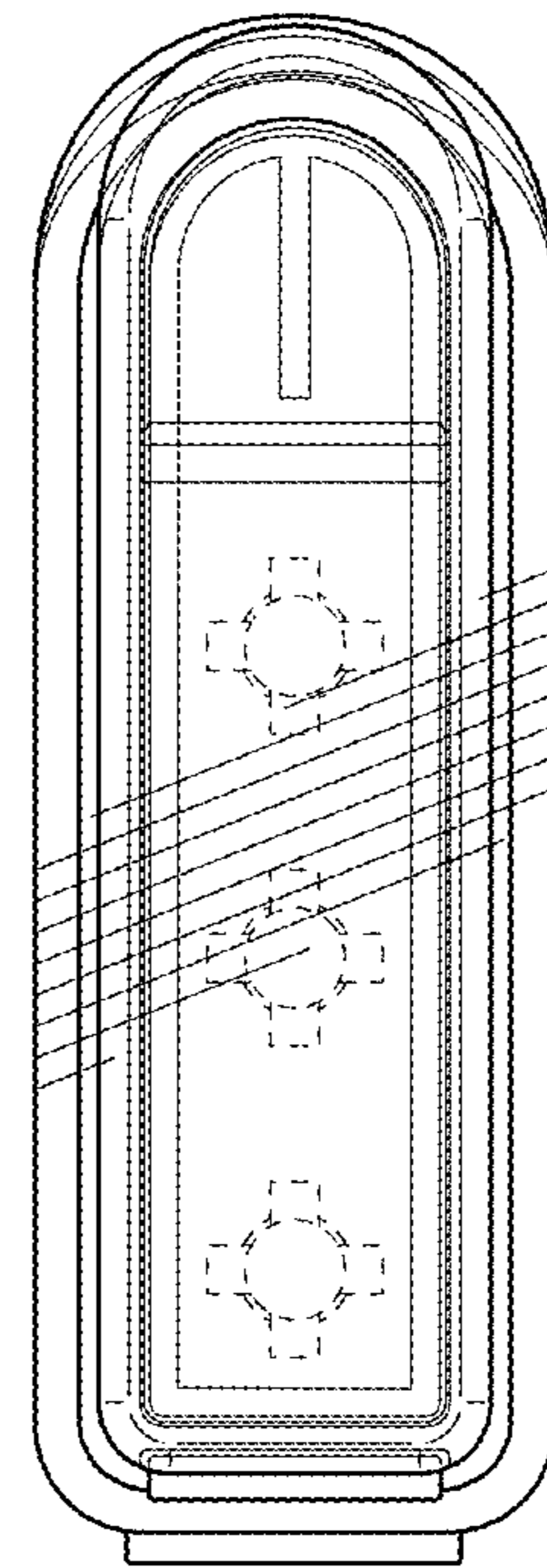


FIG. 24

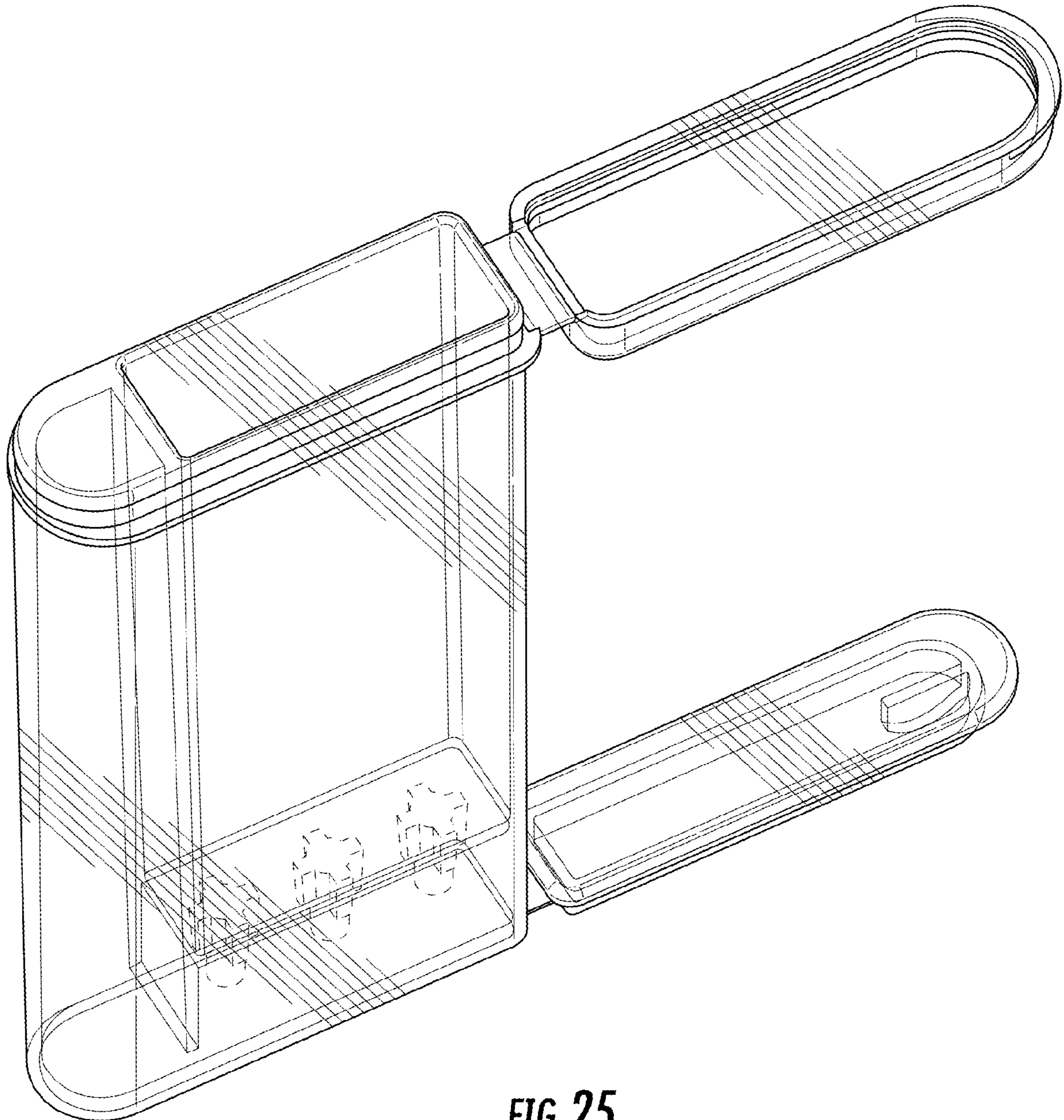


FIG. 25

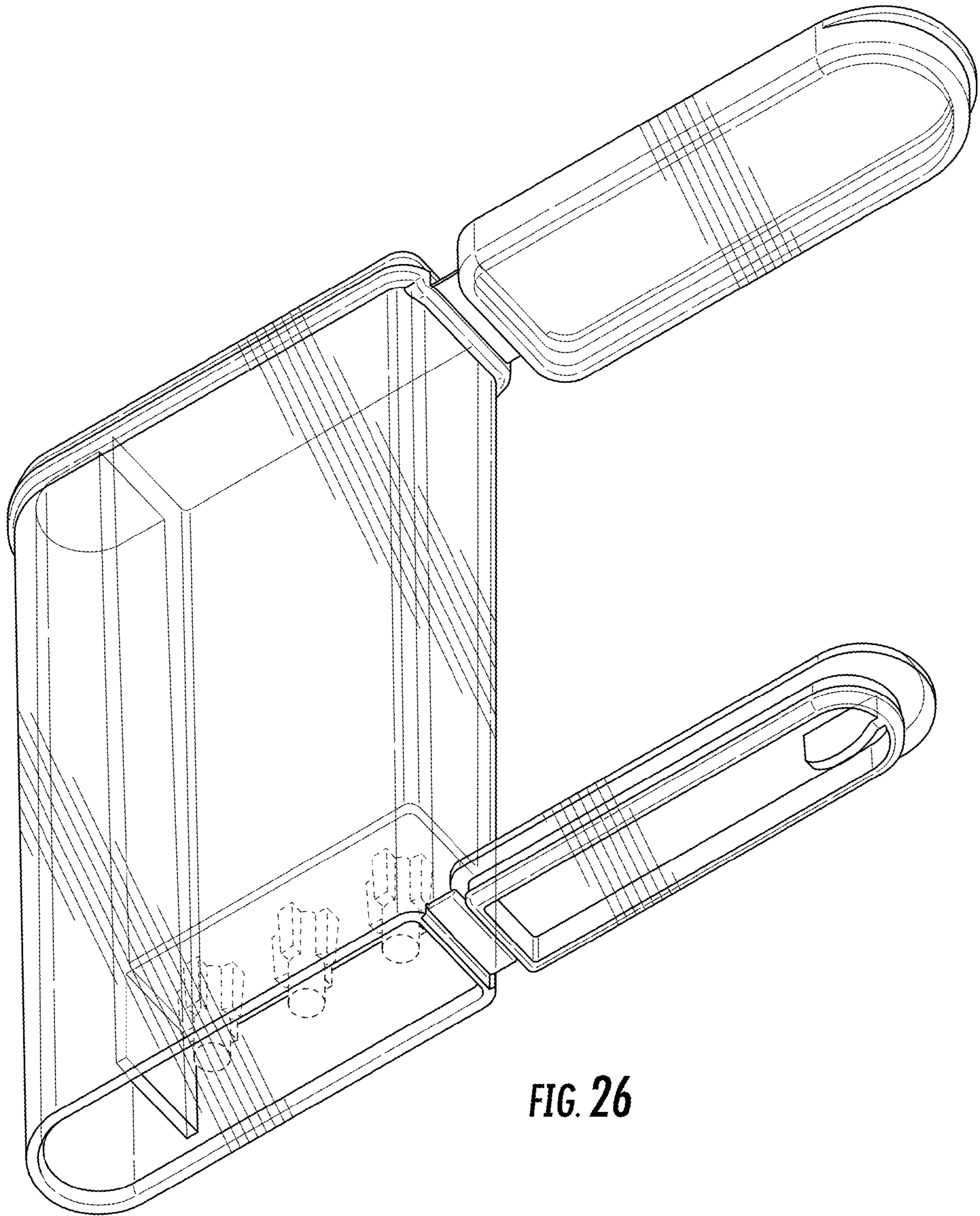


FIG. 26

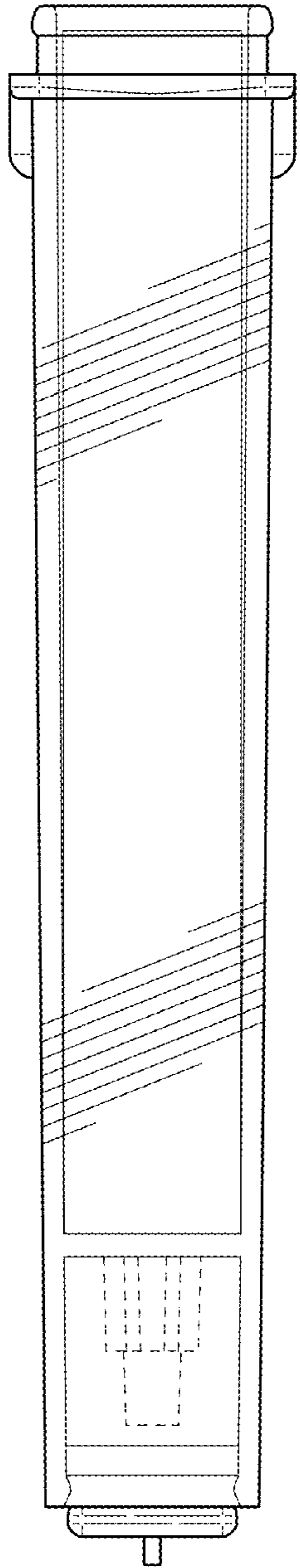


FIG. 27

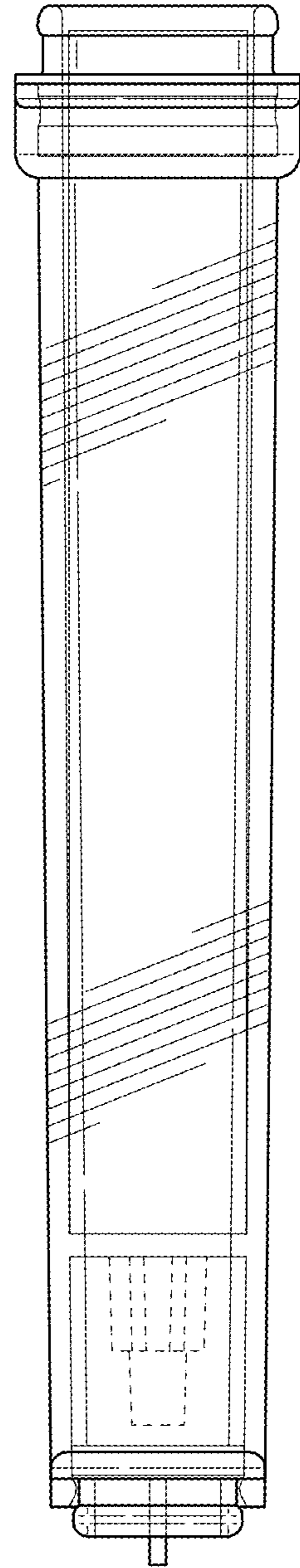
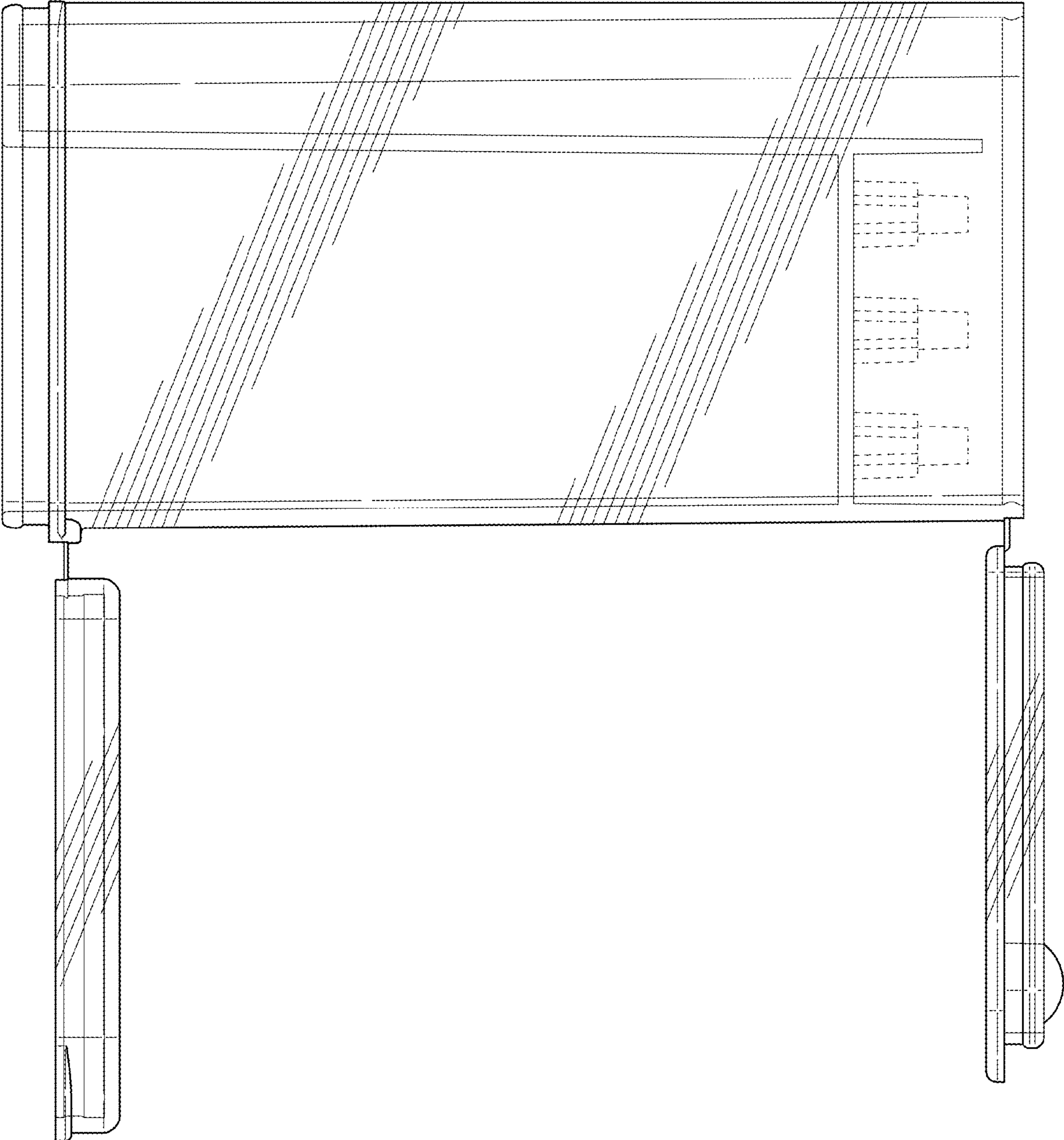


FIG. 28

FIG. 29



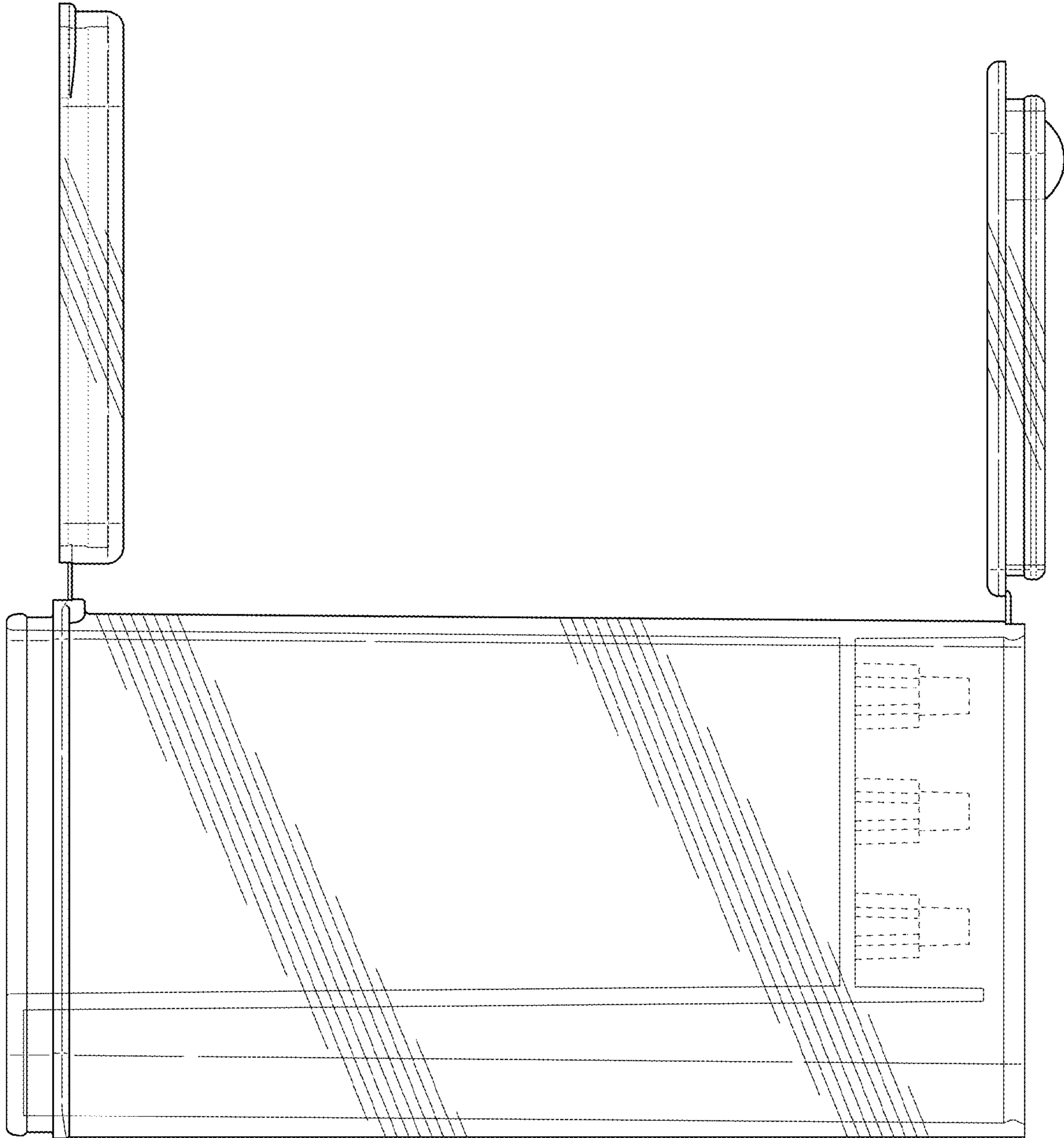


FIG. 30

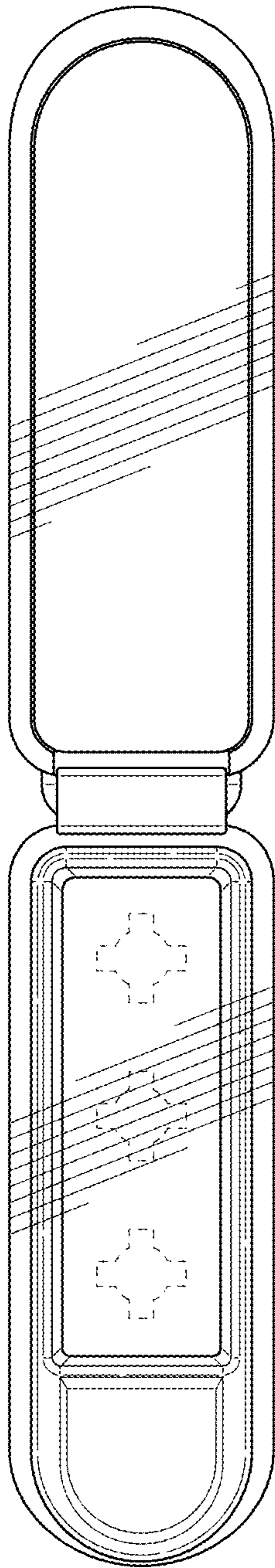


FIG. 31

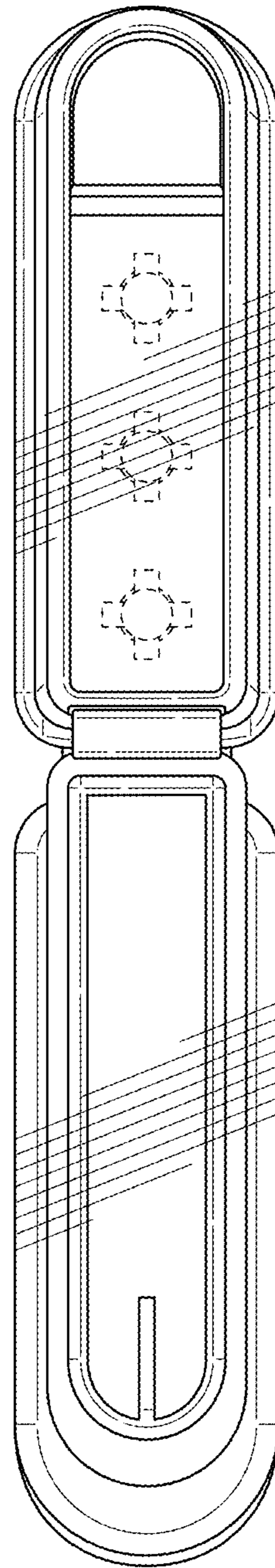


FIG. 32