

US00D978422S

(12) **United States Design Patent**
Chen

(10) **Patent No.:** **US D978,422 S**

(45) **Date of Patent:** **** Feb. 14, 2023**

(54) **HOOKAH**

(71) Applicant: **Suzhi Chen**, Ningbo (CN)

(72) Inventor: **Suzhi Chen**, Ningbo (CN)

(**) Term: **15 Years**

(21) Appl. No.: **29/840,950**

(22) Filed: **Jun. 2, 2022**

(51) **LOC (14) Cl.** **27-02**

(52) **U.S. Cl.**
USPC **D27/162**

(58) **Field of Classification Search**
USPC D27/162, 100, 103, 163–165, 167, 169,
D27/180, 181, 183, 194; D23/332, 335,
D23/317, 360, 370, 359
CPC A24F 1/30; A24F 1/02; A24F 1/00; A24F
47/008; A24F 47/002; A61M 11/00;
F24H 3/0417; F24H 3/0405; F24H 3/02;
F24H 3/022; F24H 3/002; F24H 3/00
See application file for complete search history.

(56) **References Cited**

U.S. PATENT DOCUMENTS

D771,420 S	*	11/2016	Almaghlouth	D6/691.4
D779,723 S		2/2017	Marrakchi		
D791,848 S	*	7/2017	Zhu	D16/200
D828,953 S	*	9/2018	Chen	D27/167
D832,502 S		10/2018	Durand		
D864,473 S	*	10/2019	Reimann	D27/162

D875,301 S		2/2020	Masri		
D917,381 S	*	4/2021	Ouyang	D27/162
D932,093 S	*	9/2021	Shi	D27/162
D943,720 S	*	2/2022	Pease	D23/335
D945,513 S	*	3/2022	Han	D16/218
D946,202 S	*	3/2022	Zouev	D27/162
D947,447 S	*	3/2022	Liu	D27/162
D950,696 S	*	5/2022	Xie	D23/359
D959,736 S	*	8/2022	Chen	D27/162

* cited by examiner

Primary Examiner — Rebecca Tsehaye

(74) *Attorney, Agent, or Firm* — Runit Ranjit Kanakia

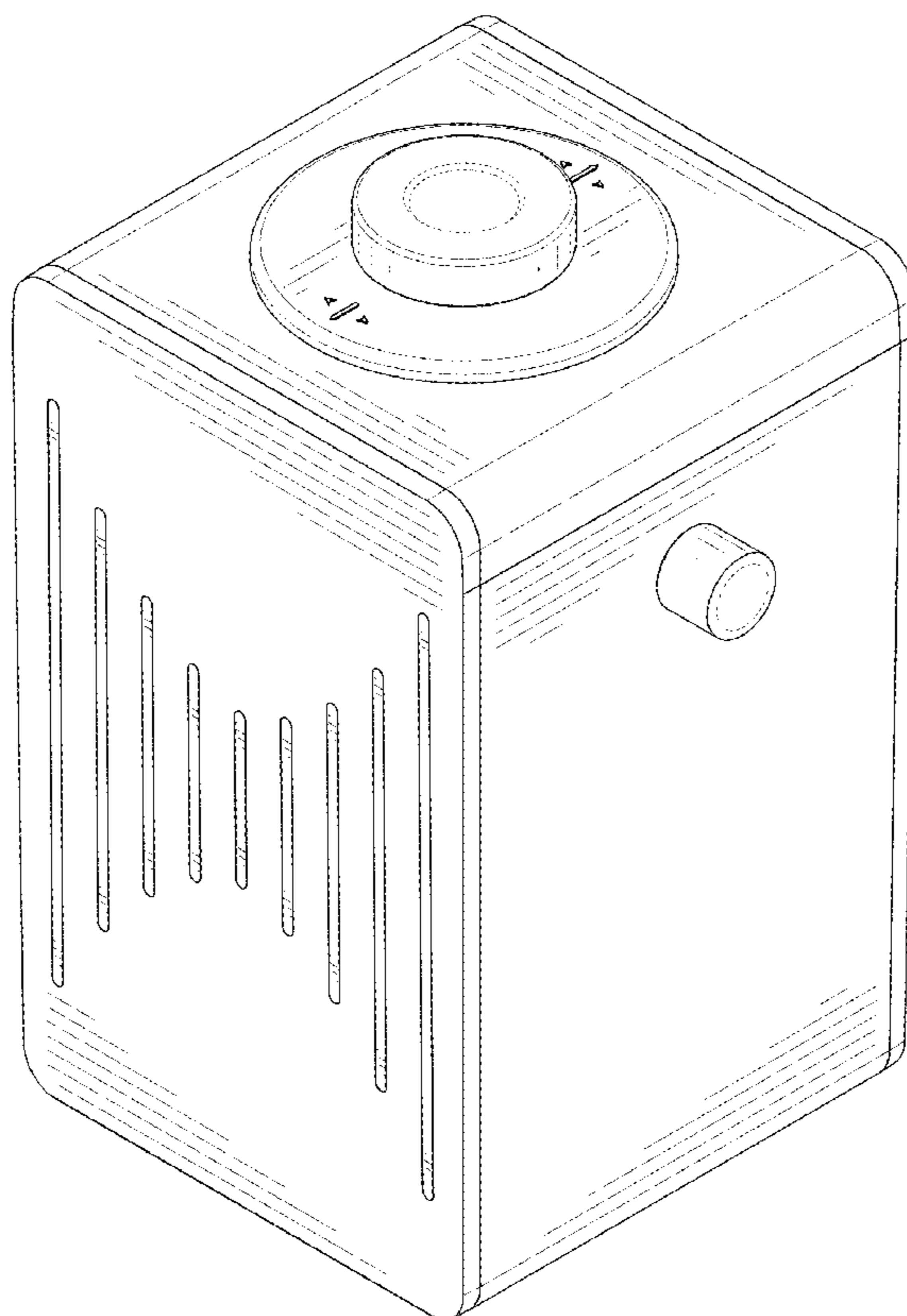
(57) **CLAIM**

The ornamental design for a hookah, as shown and described.

DESCRIPTION

FIG. 1 is a first perspective view of a hookah showing my new design;
FIG. 2 is a second perspective view thereof;
FIG. 3 is a front view thereof;
FIG. 4 is a back view thereof;
FIG. 5 is a left side view thereof;
FIG. 6 is a right side view thereof;
FIG. 7 is a top view thereof; and,
FIG. 8 is a bottom view thereof.
The broken lines shown in the drawings depict portions of the hookah that form no part of the claimed design.

1 Claim, 8 Drawing Sheets



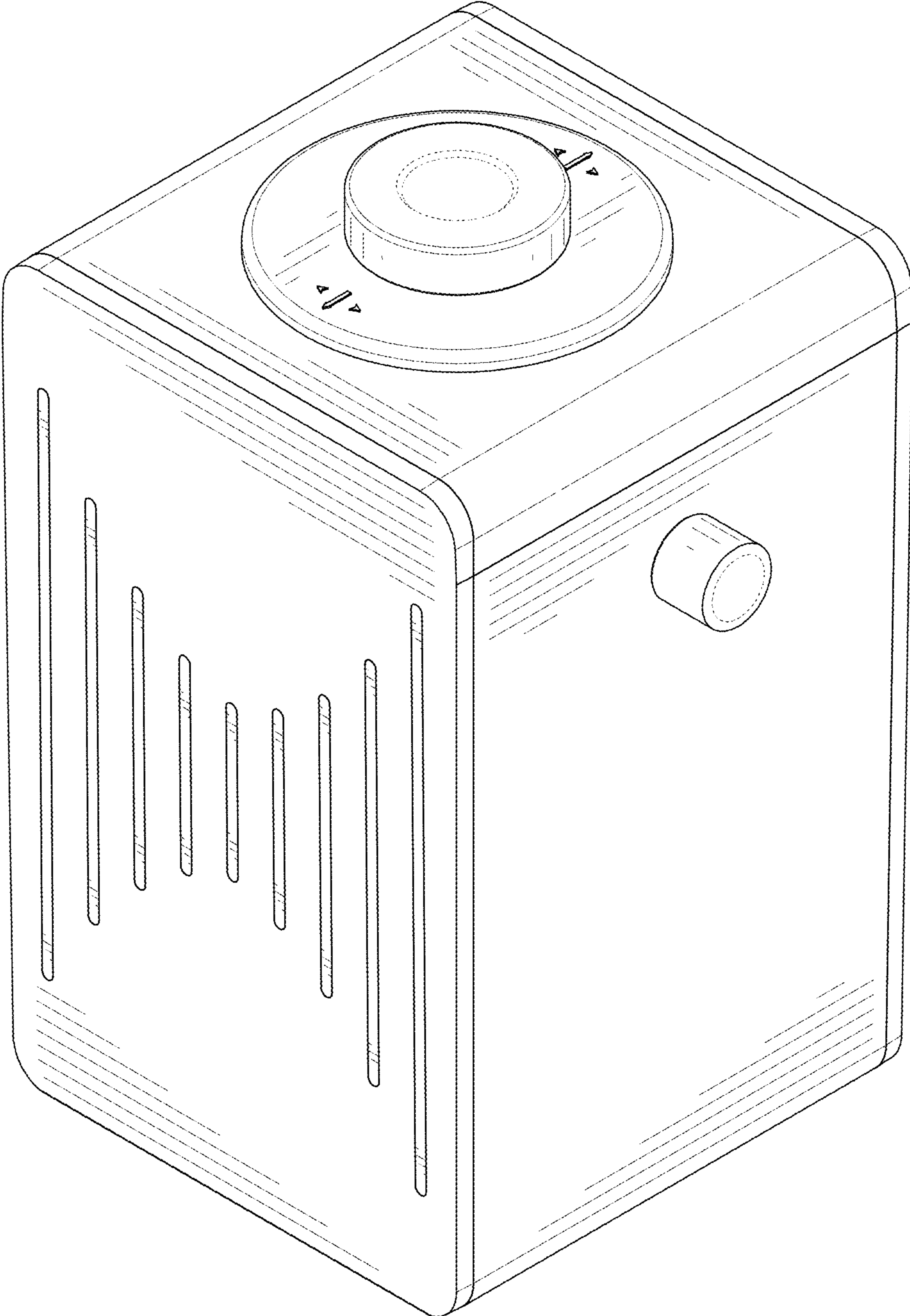


FIG. 1

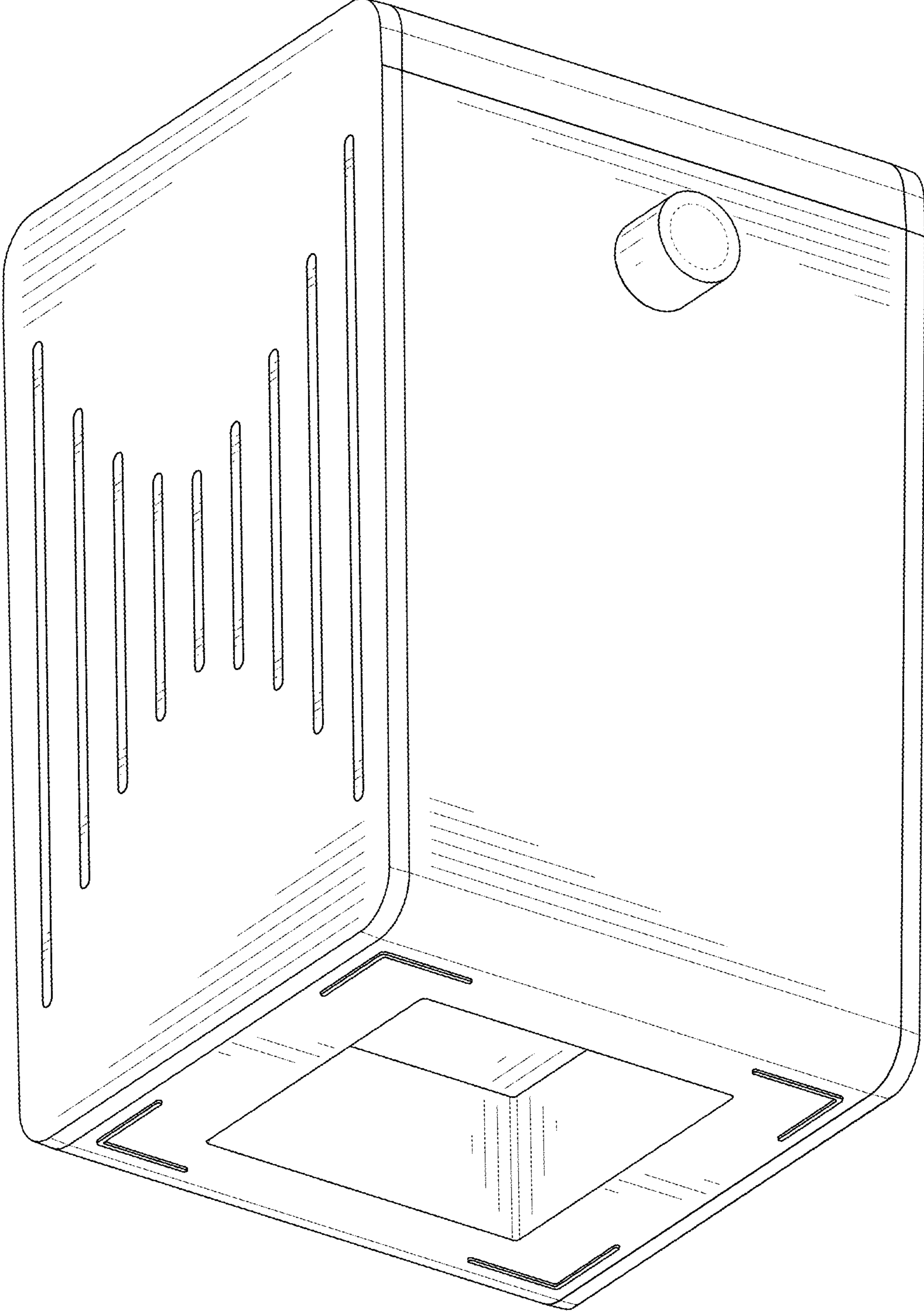


FIG. 2

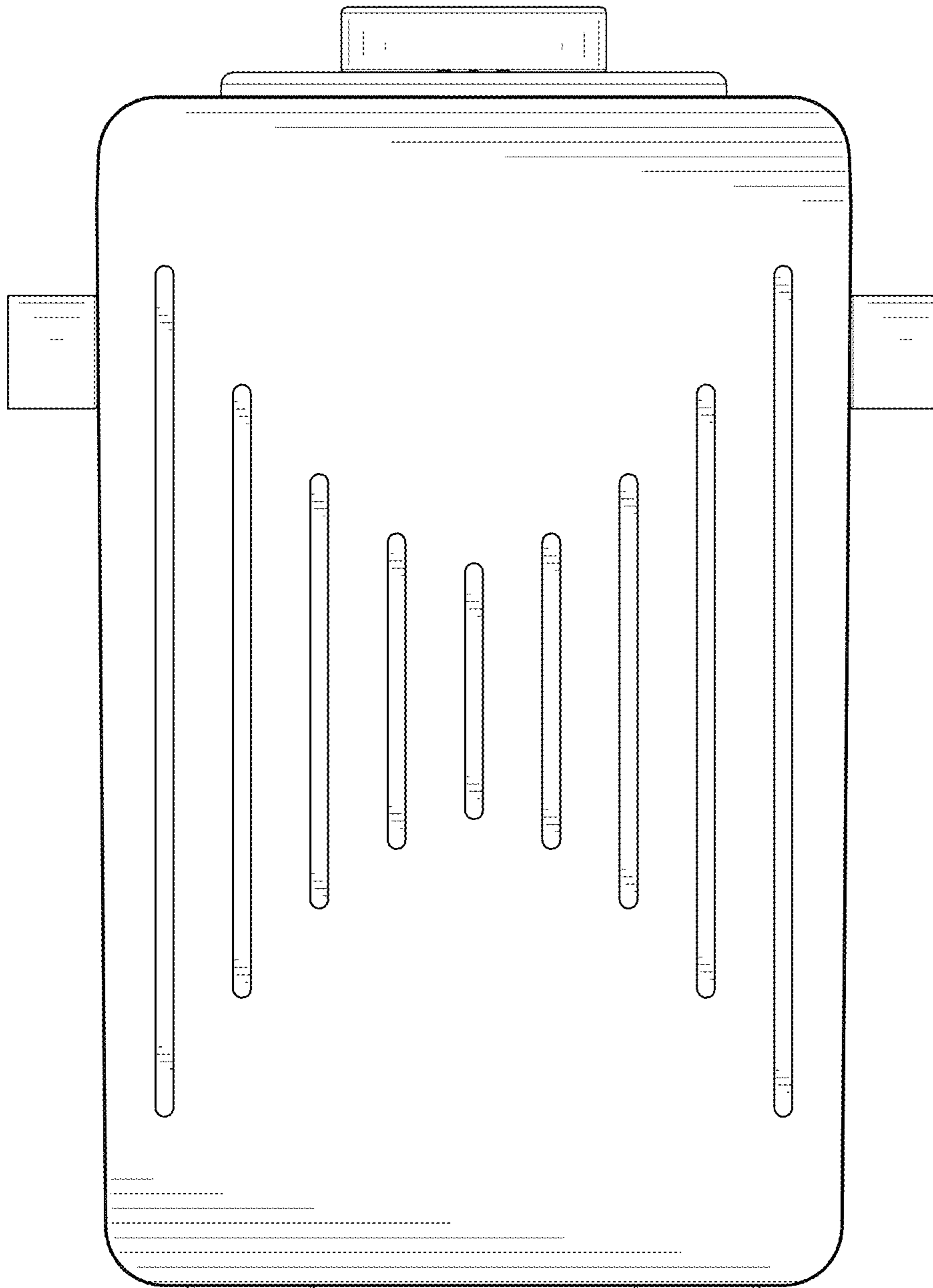


FIG. 3

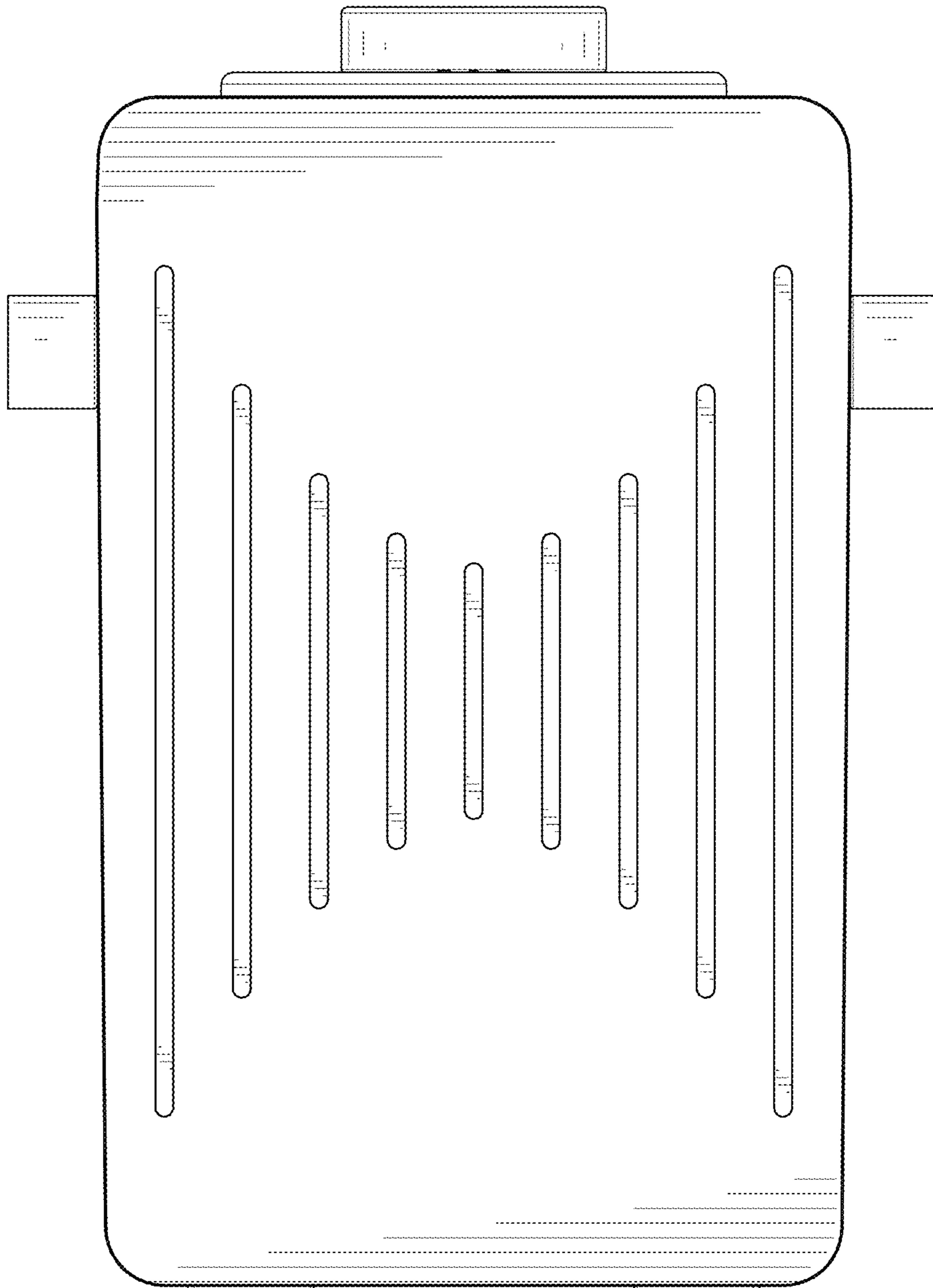


FIG. 4

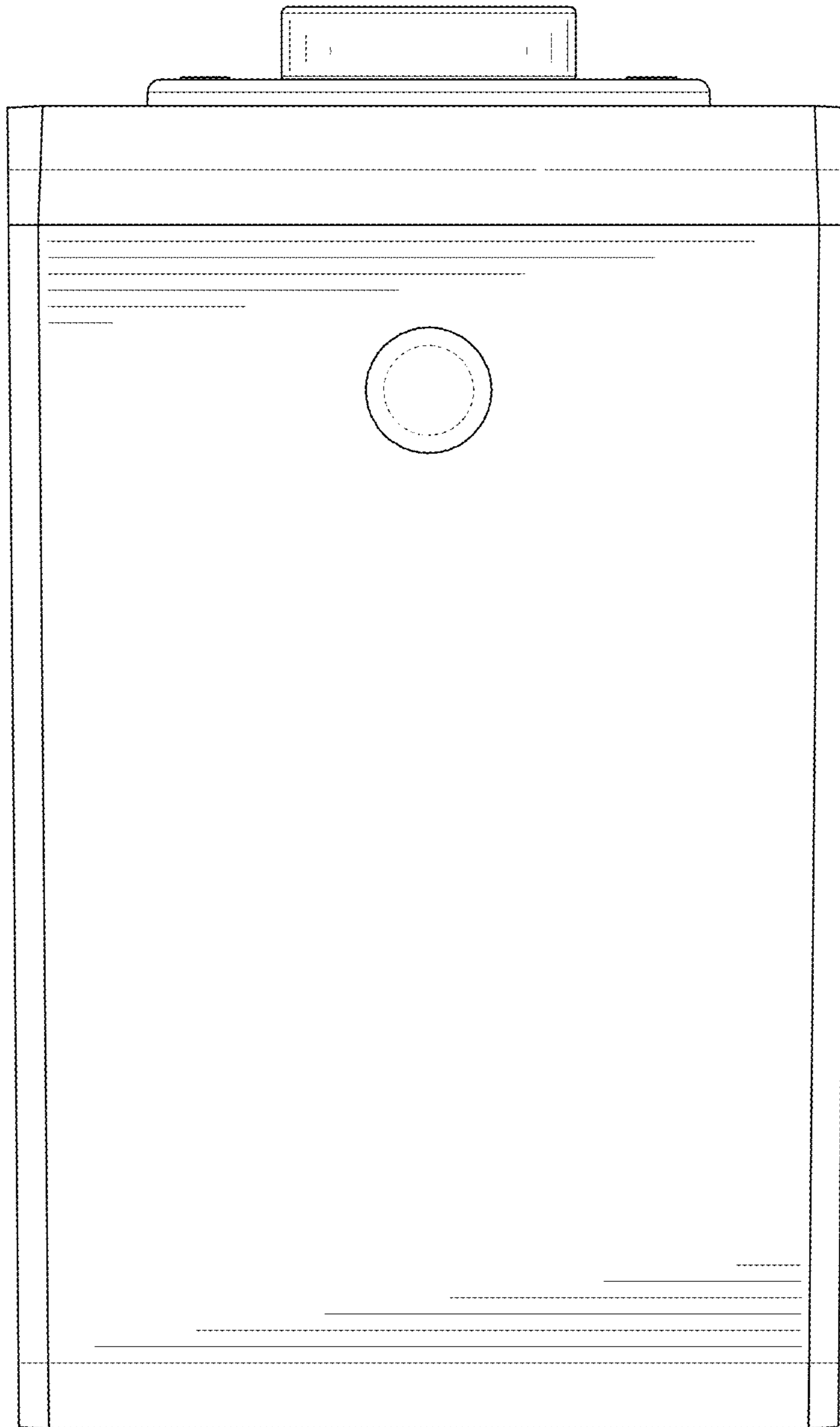


FIG. 5

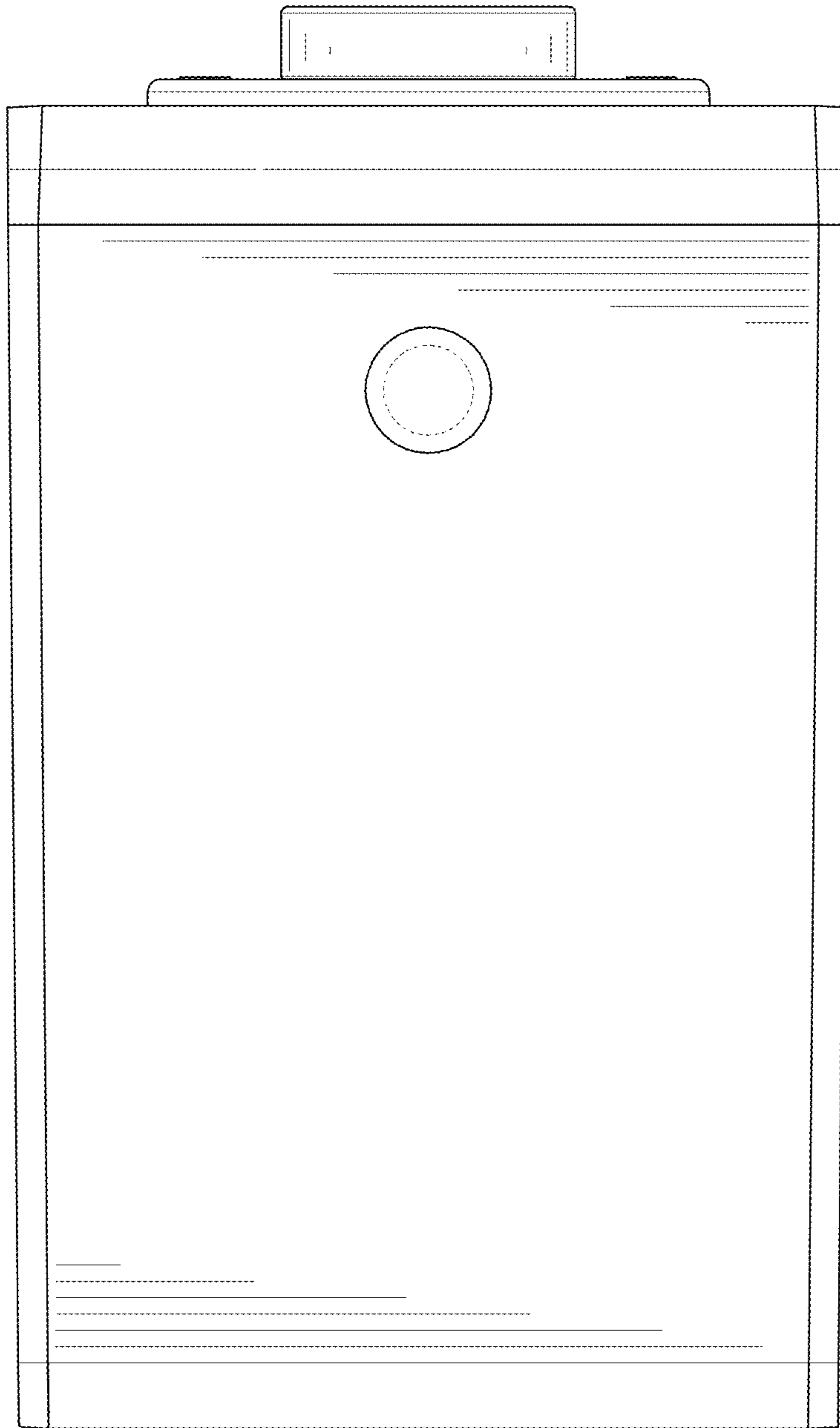


FIG. 6

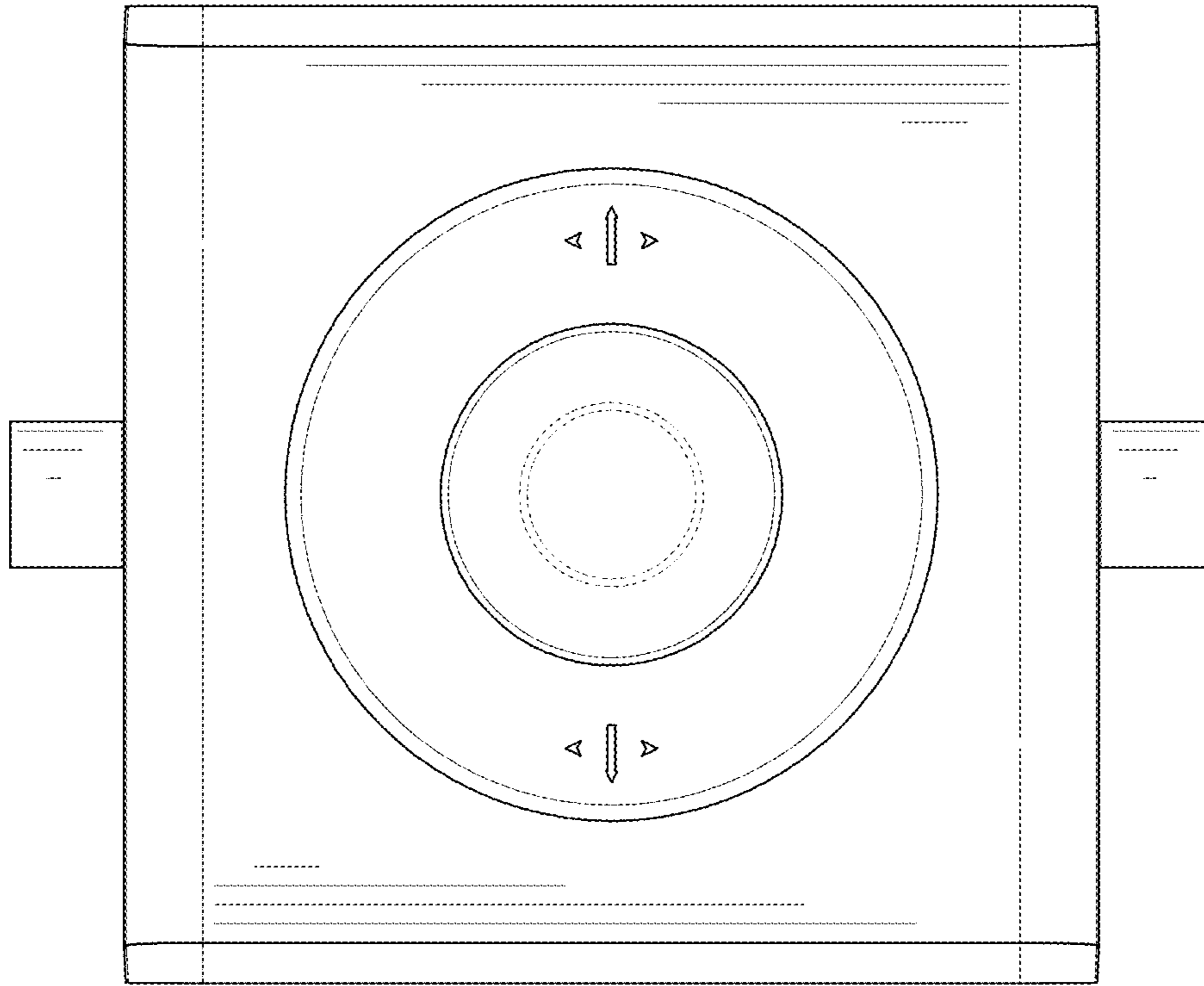


FIG. 7

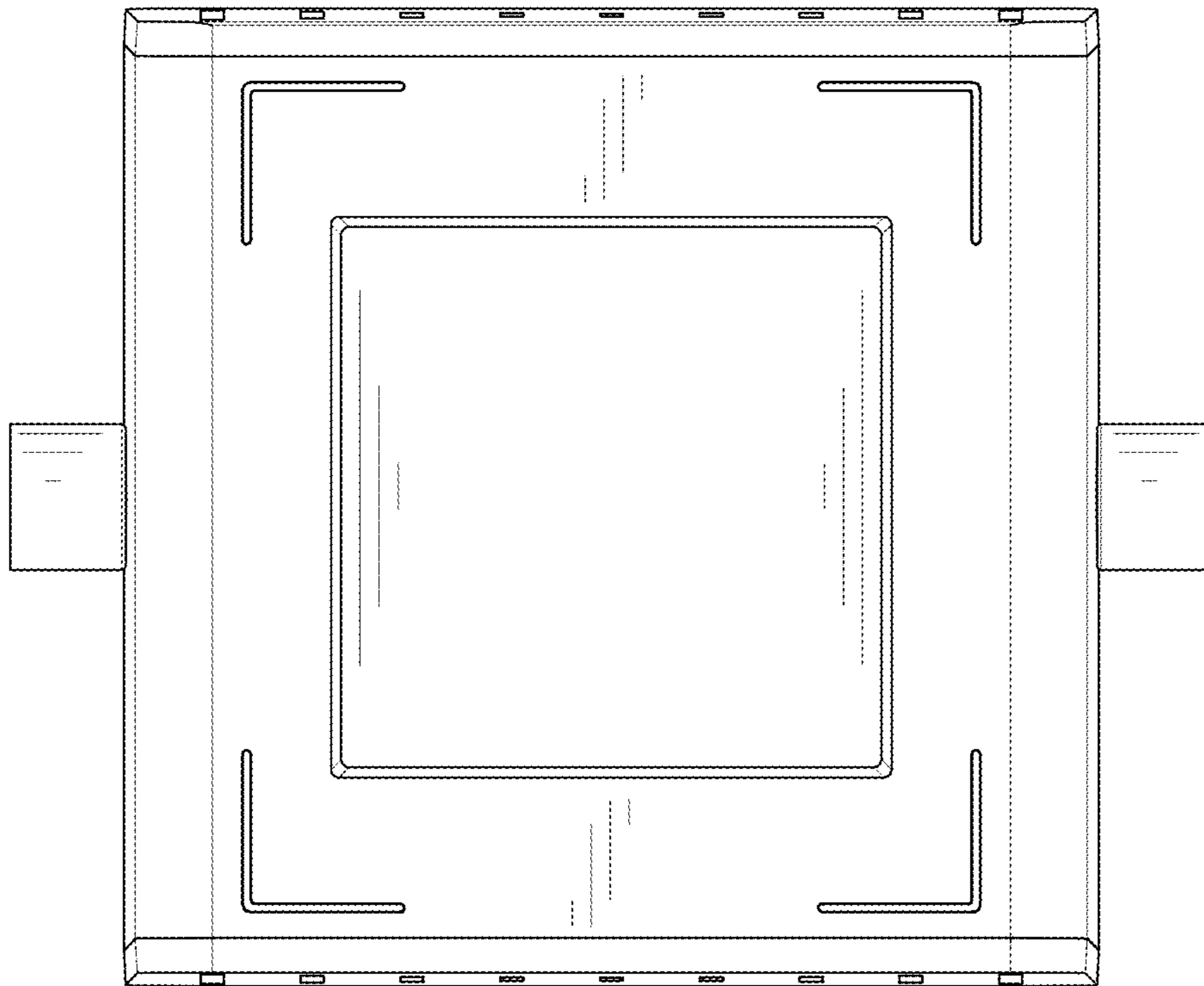


FIG. 8