

US00D978421S

(12) **United States Design Patent** (10) **Patent No.:** **US D978,421 S**
Liu (45) **Date of Patent:** **** Feb. 14, 2023**

(54) **ATOMIZER FOR AN ELECTRONIC CIGARETTE**

(71) Applicant: **Shenzhen Eigate Technology Co., Ltd.**, Shenzhen (CN)

(72) Inventor: **Tuanfang Liu**, Shenzhen (CN)

(73) Assignee: **ASPIRE NORTH AMERICA LLC**

(**) Term: **15 Years**

(21) Appl. No.: **29/779,968**

(22) Filed: **Apr. 21, 2021**

(30) **Foreign Application Priority Data**

Nov. 26, 2020 (CN) 202030722739.X

(51) **LOC (14) Cl.** **27-02**

(52) **U.S. Cl.**
USPC **D27/162**

(58) **Field of Classification Search**
USPC D27/162, 100, 101, 163-170, 172, D27/174-176, 183, 185-194; D24/110, D24/110.5; D13/103, 107; D23/360, D23/363, 366

CPC A24F 40/40; A24F 40/42; A24F 40/44; A24F 40/00; A24F 40/10; A24F 40/20; A24F 15/015; A24F 15/00; A24F 15/02; A24F 15/12; A61M 15/00; A61M 15/06

See application file for complete search history.

(56) **References Cited**

U.S. PATENT DOCUMENTS

- D811,652 S * 2/2018 Liu D27/167
- D817,544 S * 5/2018 Chen D27/167
- D823,534 S * 7/2018 Chen D27/162
- D867,657 S * 11/2019 Fornarelli D27/194
- D877,975 S * 3/2020 Crowe D27/162
- D898,993 S * 10/2020 Li D27/167
- D920,571 S * 5/2021 Jones D27/162
- D927,773 S * 8/2021 Jones D27/162

- D929,647 S * 8/2021 Liu D27/162
- D932,096 S * 9/2021 Liu D27/162
- D933,288 S * 10/2021 Liu D27/162
- D943,816 S * 2/2022 Liu D27/162
- D948,778 S * 4/2022 Liu D27/162
- D948,780 S * 4/2022 Liu D27/162
- D958,449 S * 7/2022 Yuan D27/162
- D958,451 S * 7/2022 Li D27/162
- D960,441 S * 8/2022 Liu D27/162
- D961,839 S * 8/2022 Liu D27/162

OTHER PUBLICATIONS

Convertible Rechargeable Pluo-in Handle By: Welch Allyn (Sep. 22, 2022) https://www.amazon.com/Welch-Allyn-71000-C-Convertible-Rechargeable/dp/B00082IX72/ref=sr_1_50?crd=3FZNA8FRWIRO4&keywords= (Apr. 14, 2007).*

* cited by examiner

Primary Examiner — Rebecca Tsehaye

(74) *Attorney, Agent, or Firm* — Matthias Scholl P.C.; Matthias Scholl

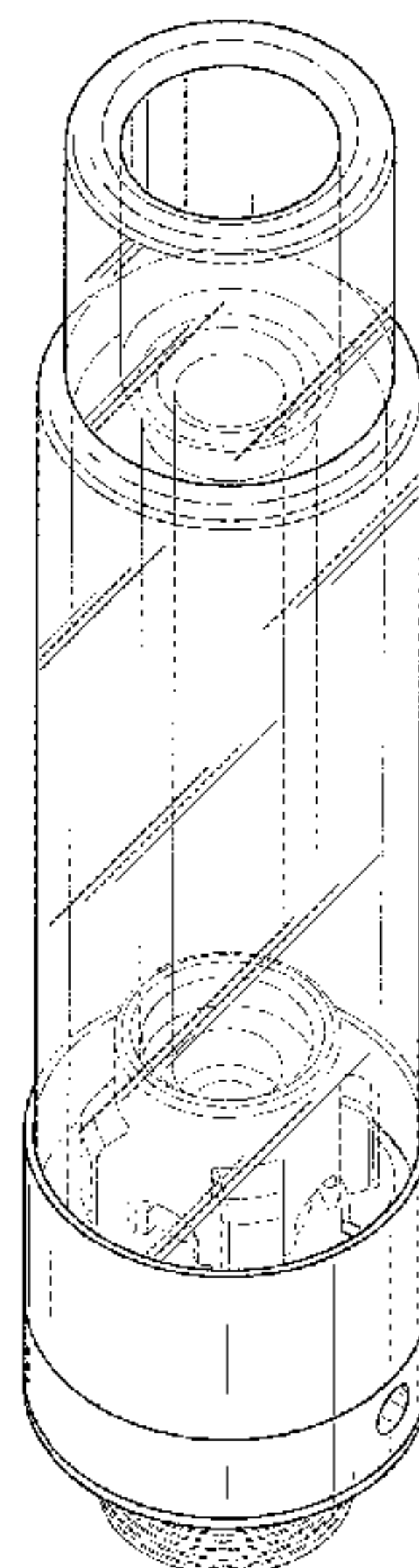
(57) **CLAIM**

The ornamental design for an atomizer for an electronic cigarette, as shown and described.

DESCRIPTION

FIG. 1 is a front elevation view of an atomizer for an electronic cigarette, showing my new design; FIG. 2 is a rear elevation view thereof; FIG. 3 is a left-side elevation view thereof; FIG. 4 is a right-side elevation view thereof; FIG. 5 is a top plan view thereof; FIG. 6 is a bottom plan view thereof; FIG. 7 is a top perspective view thereof; and, FIG. 8 is a bottom perspective view thereof. The broken lines in the drawings depict portions of the atomizer for an electronic cigarette that form no part of the claimed design.

1 Claim, 8 Drawing Sheets



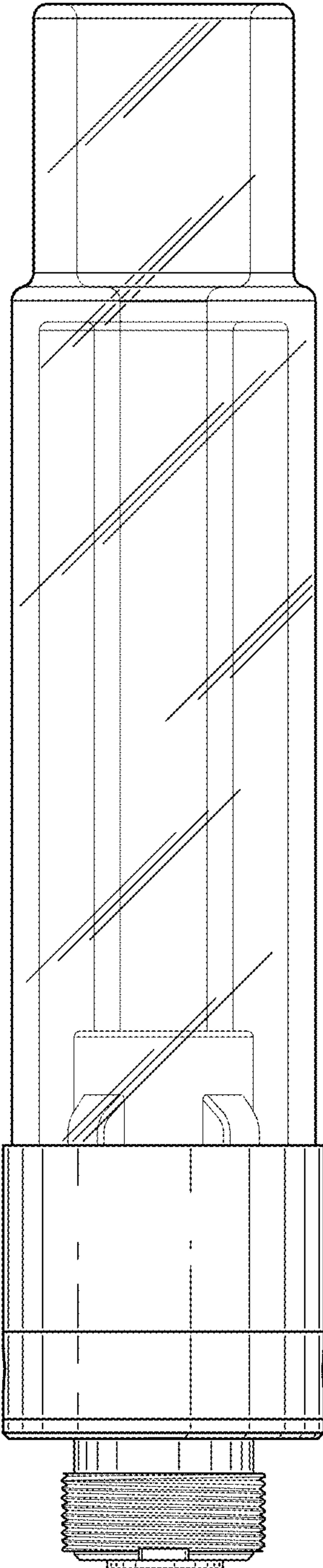


FIG. 1

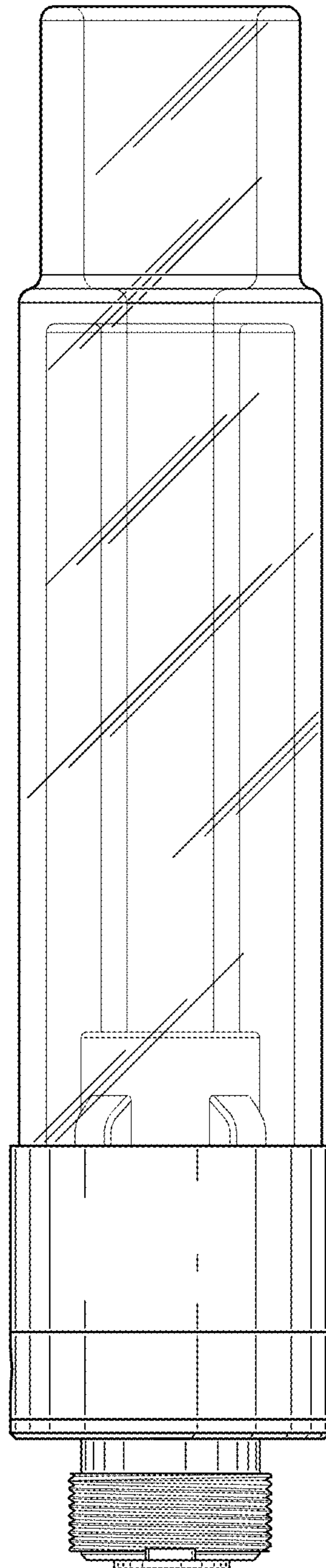


FIG. 2

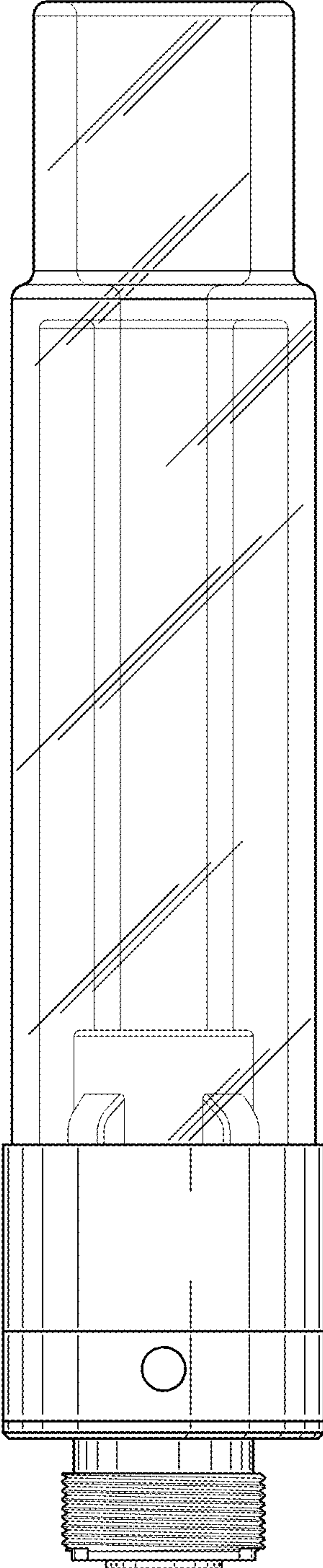


FIG. 3

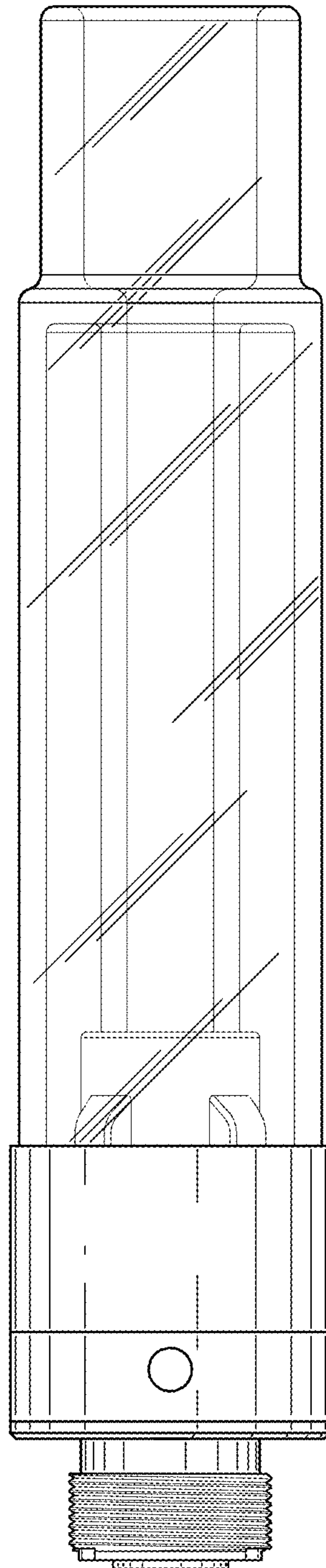


FIG. 4

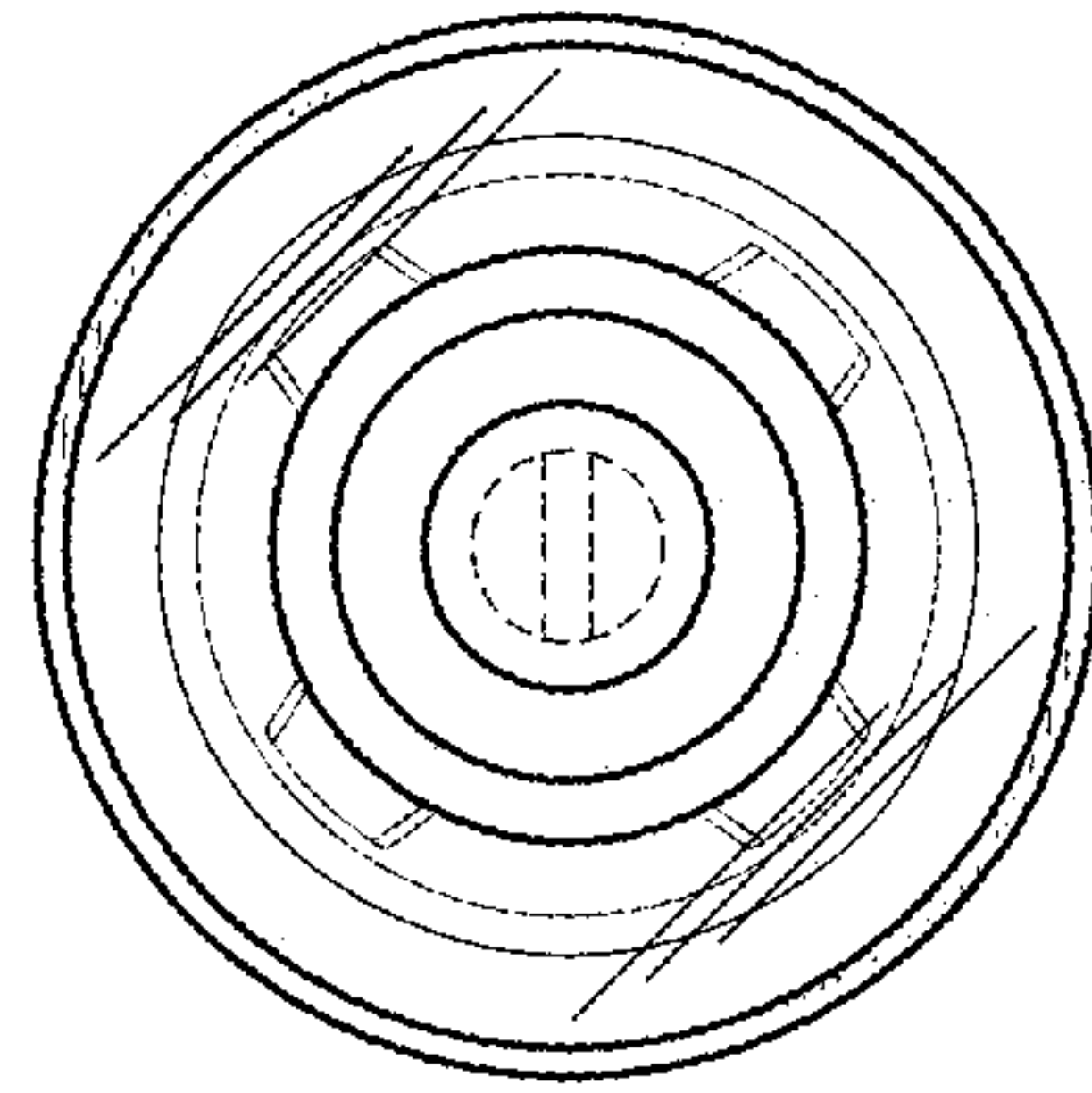


FIG. 5

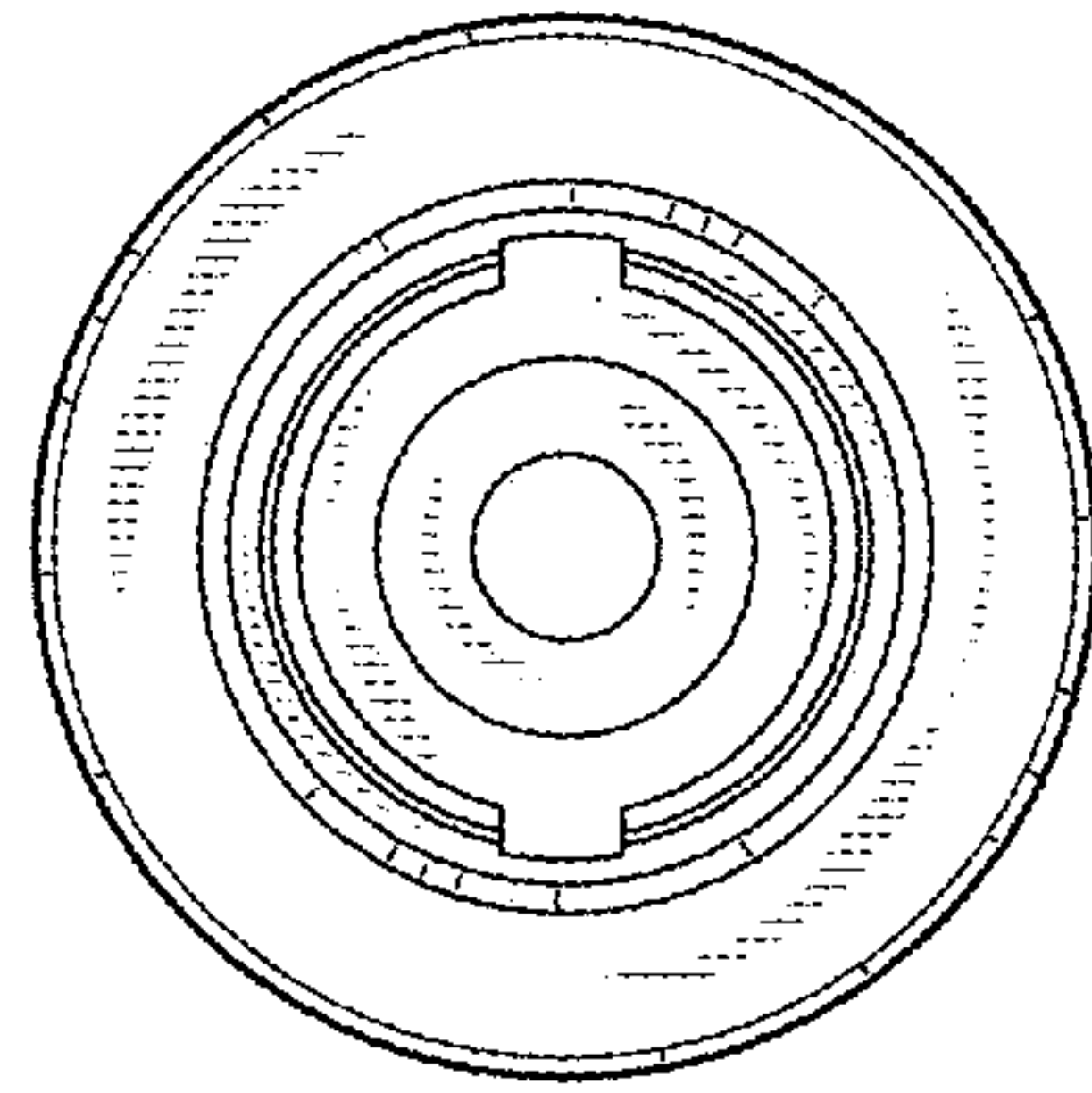


FIG. 6

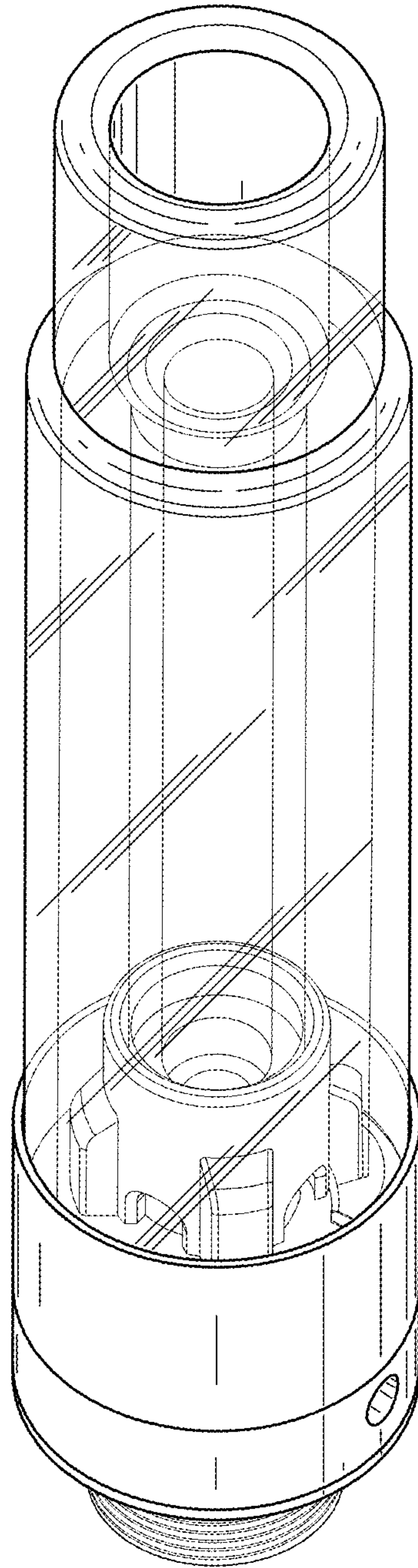


FIG. 7

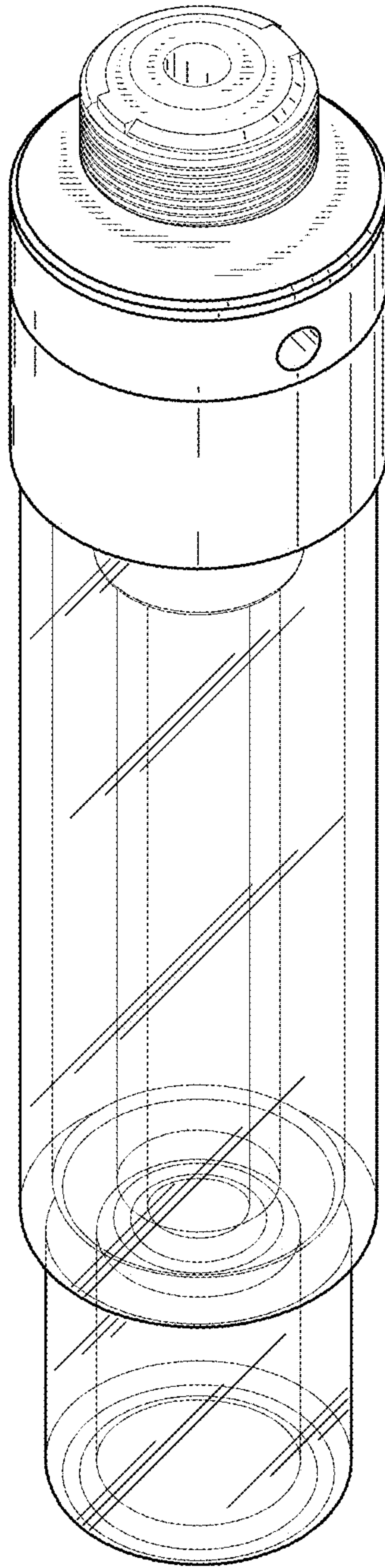


FIG. 8