

US00D978420S

(12) **United States Design Patent** (10) **Patent No.:** **US D978,420 S**  
**Reid et al.** (45) **Date of Patent:** **\*\* Feb. 14, 2023**

(54) **VAPORIZING DEVICE**  
(71) Applicant: **iKrusher, Inc.**, Arcadia, CA (US)  
(72) Inventors: **Blake Reid**, Brea, CA (US); **Ali Kohbodi**, Sierra Madre, CA (US)  
(73) Assignee: **IKRUSHER, INC.**, Arcadia, CA (US)  
(\*\*) Term: **15 Years**

10,813,386 B1 \* 10/2020 Bajpai ..... A24F 1/30  
D909,665 S 2/2021 Volodarsky et al.  
D921,279 S \* 6/2021 Schlaegel ..... D27/162  
D943,163 S \* 2/2022 Gibson ..... D27/162  
D943,807 S \* 2/2022 LeNoir ..... D27/162  
D943,812 S \* 2/2022 Gibson ..... D27/162  
D949,310 S \* 4/2022 Bajpai ..... D23/360  
D949,467 S \* 4/2022 Liu ..... D27/162  
D950,148 S \* 4/2022 Chen ..... D27/162

\* cited by examiner

(21) Appl. No.: **29/772,496**  
(22) Filed: **Mar. 2, 2021**  
(51) **LOC (14) Cl.** ..... **27-02**  
(52) **U.S. Cl.**  
USPC ..... **D27/162**  
(58) **Field of Classification Search**  
USPC ..... D27/162, 163-165, 167, 169, 172, 174,  
D27/183, 185-192, 194; D24/110, 110.5;  
D23/360, 366  
CPC .... A24F 47/002; A24F 47/006; A24F 47/008;  
A61M 15/00; A61M 15/06  
See application file for complete search history.

*Primary Examiner* — Rebecca Tsehaye  
(74) *Attorney, Agent, or Firm* — Fish IP Law, LLP

(57) **CLAIM**

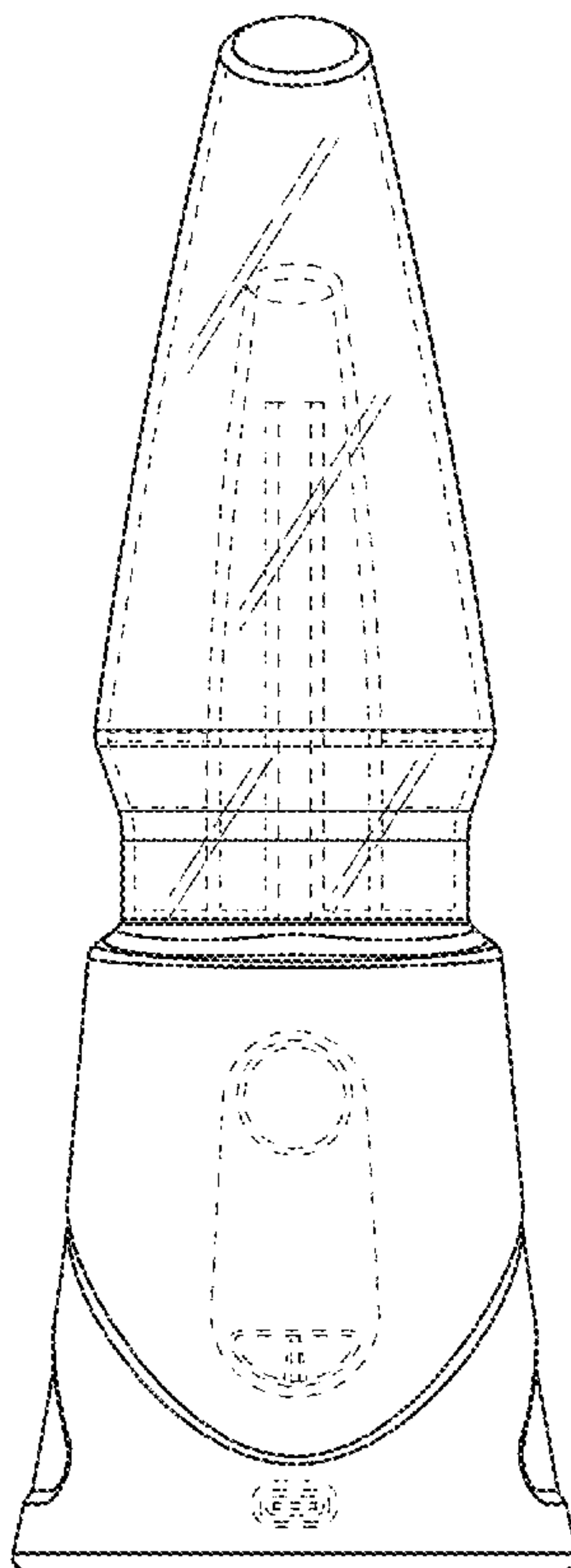
The ornamental design for a vaporizing device, as shown and described.

**DESCRIPTION**

FIG. 1 is a front view of a vaporizing device of the new design;  
FIG. 2 is a front side perspective view thereof;  
FIG. 3 is rear side perspective view of thereof;  
FIG. 4 is a top-down perspective view thereof;  
FIG. 5 is a bottom-up perspective view thereof;  
FIG. 6 is a right-side view thereof;  
FIG. 7 is a left-side view thereof; and,  
FIG. 8 is a rear-side view thereof.  
The broken lines in the drawings depict portions of the vaporizing device that form no part of the claimed design.

(56) **References Cited**  
U.S. PATENT DOCUMENTS  
D608,879 S \* 1/2010 Colombo ..... D23/366  
D728,382 S \* 5/2015 Goswell ..... D9/504  
10,517,334 B1 12/2019 Volodarsky et al.  
D882,867 S 4/2020 Volodarsky et al.  
D895,894 S \* 9/2020 Bajpai ..... D27/162

**1 Claim, 8 Drawing Sheets**



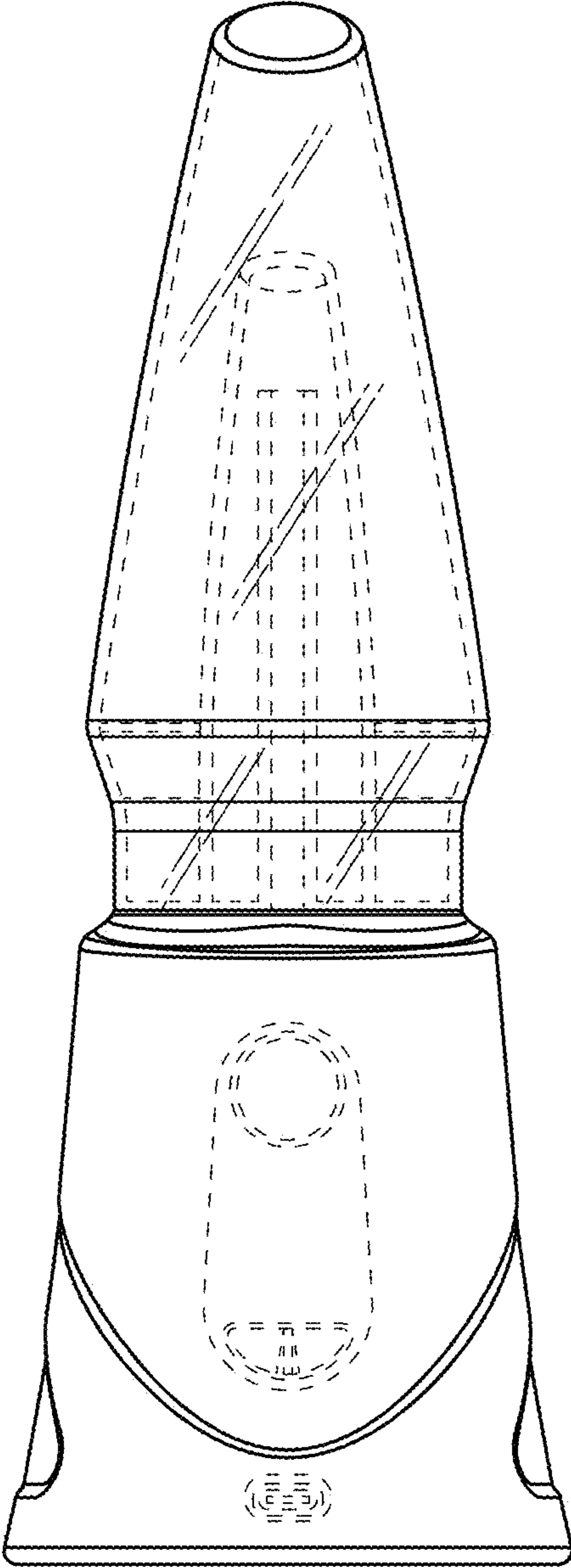


FIG. 1

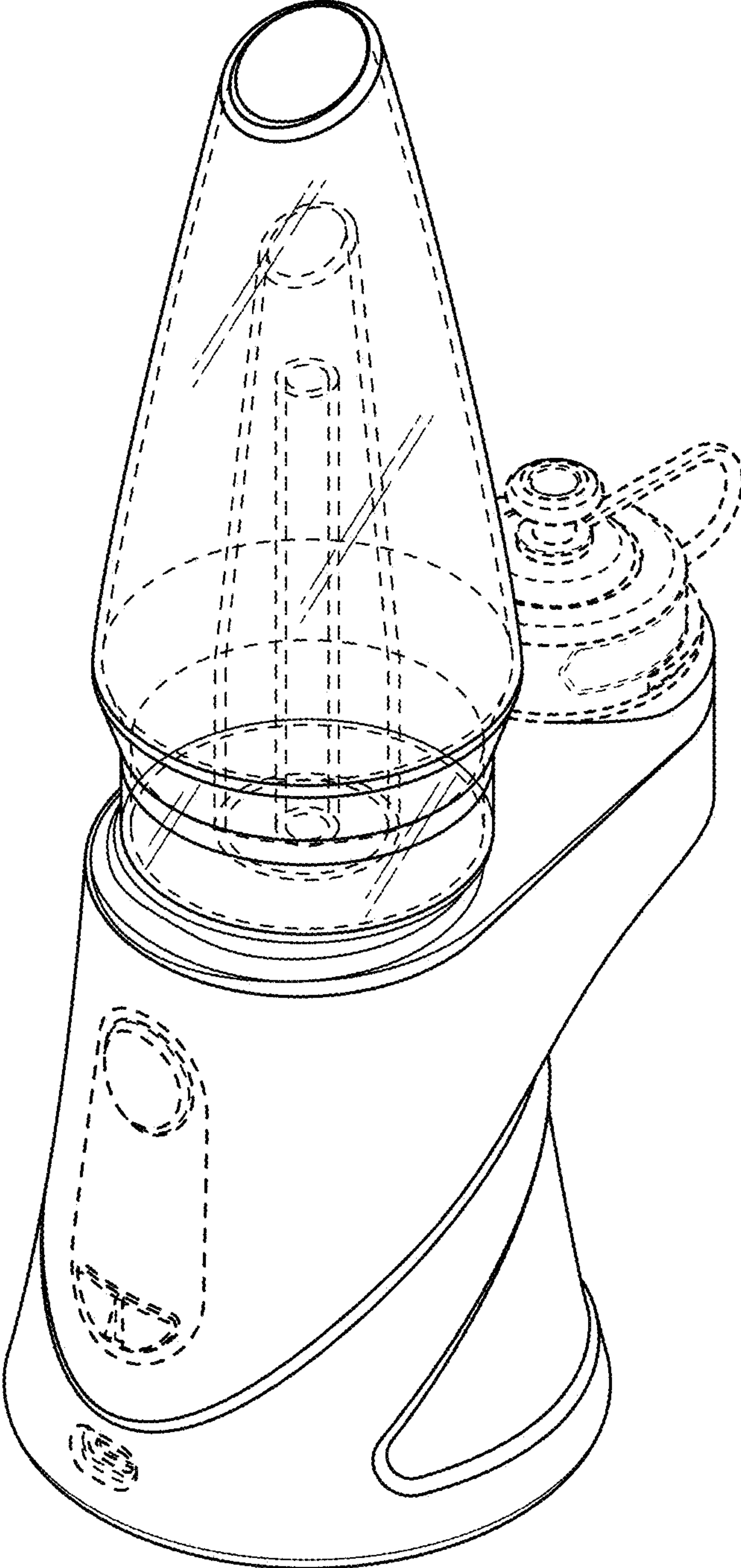


FIG. 2

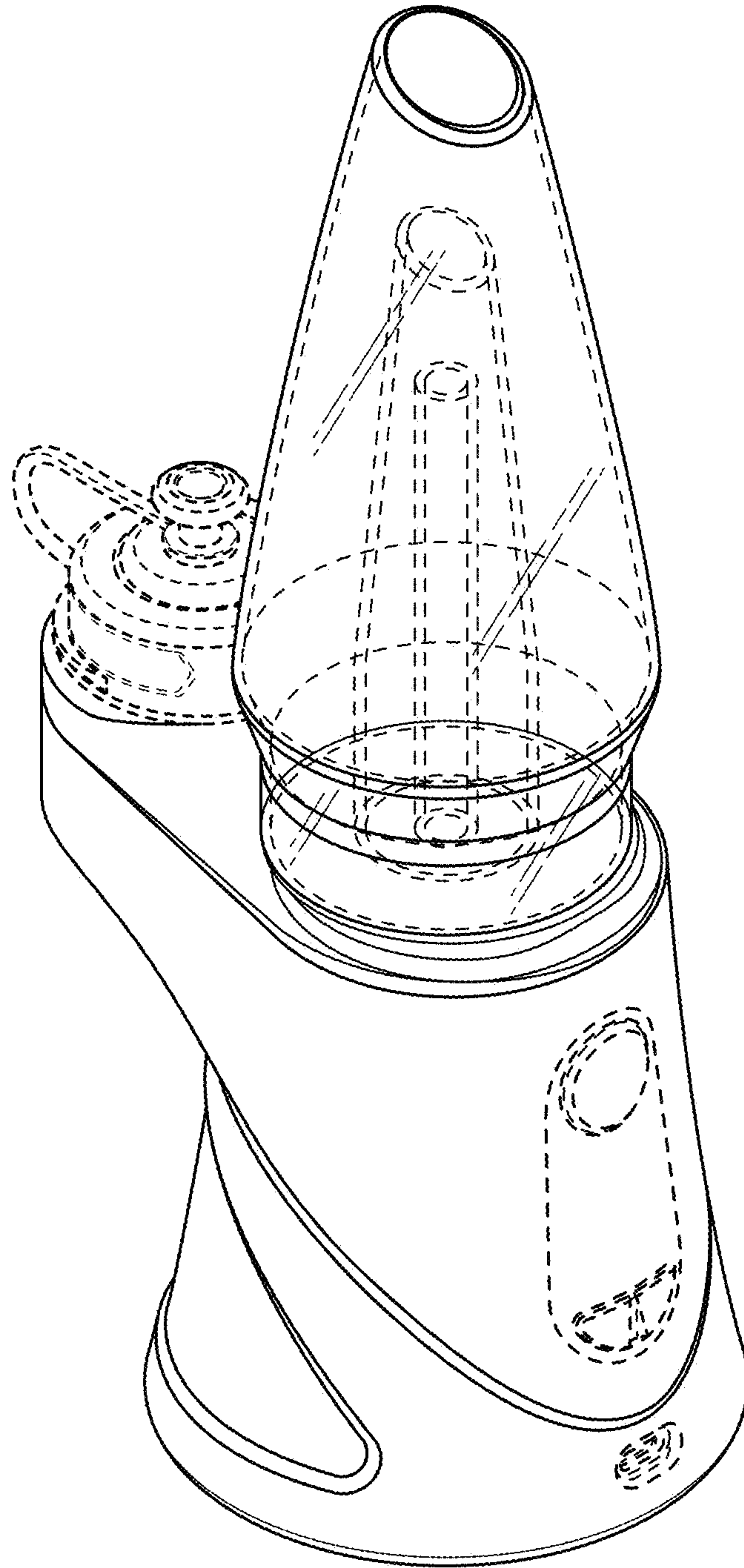


FIG. 3

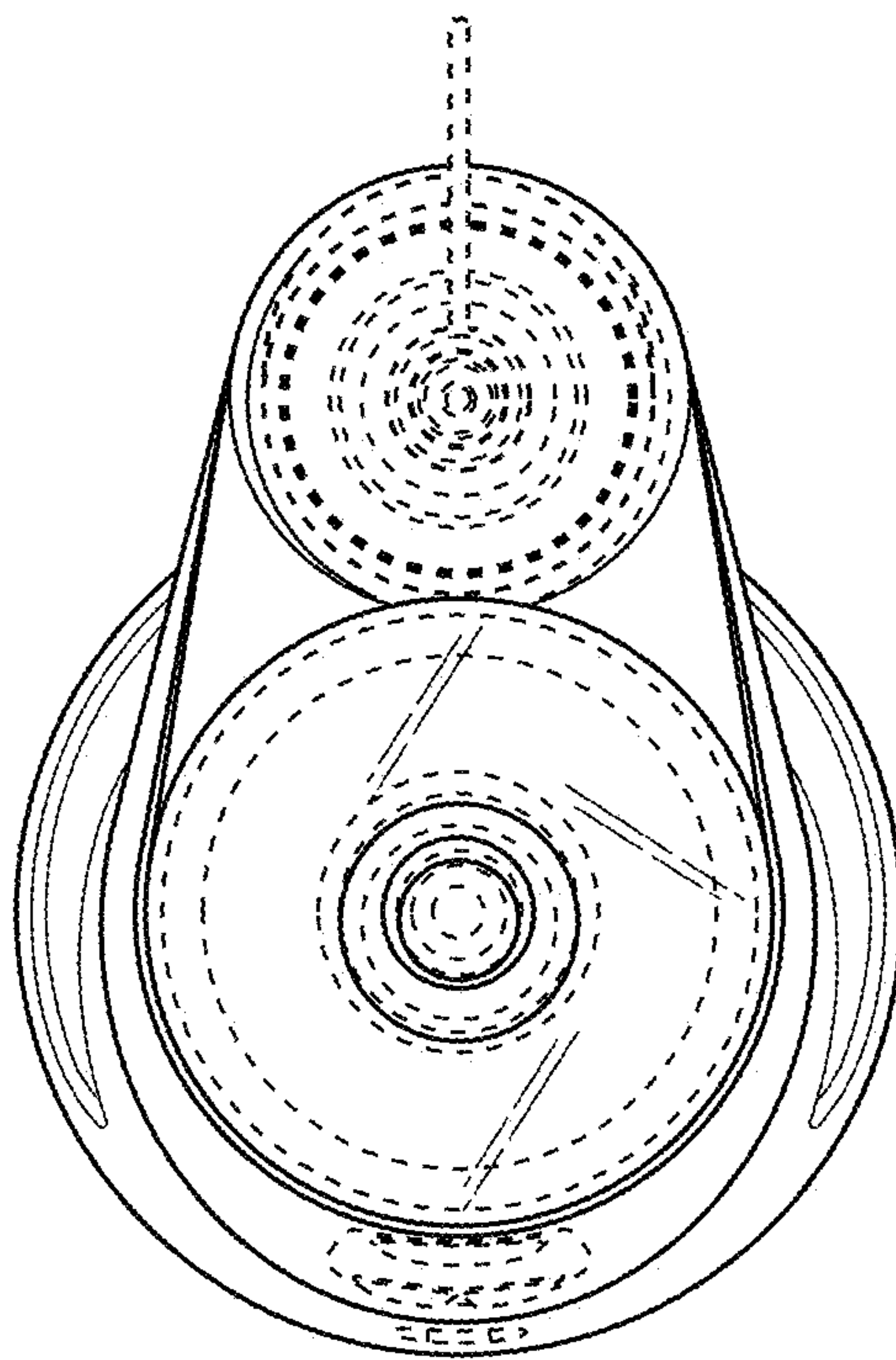
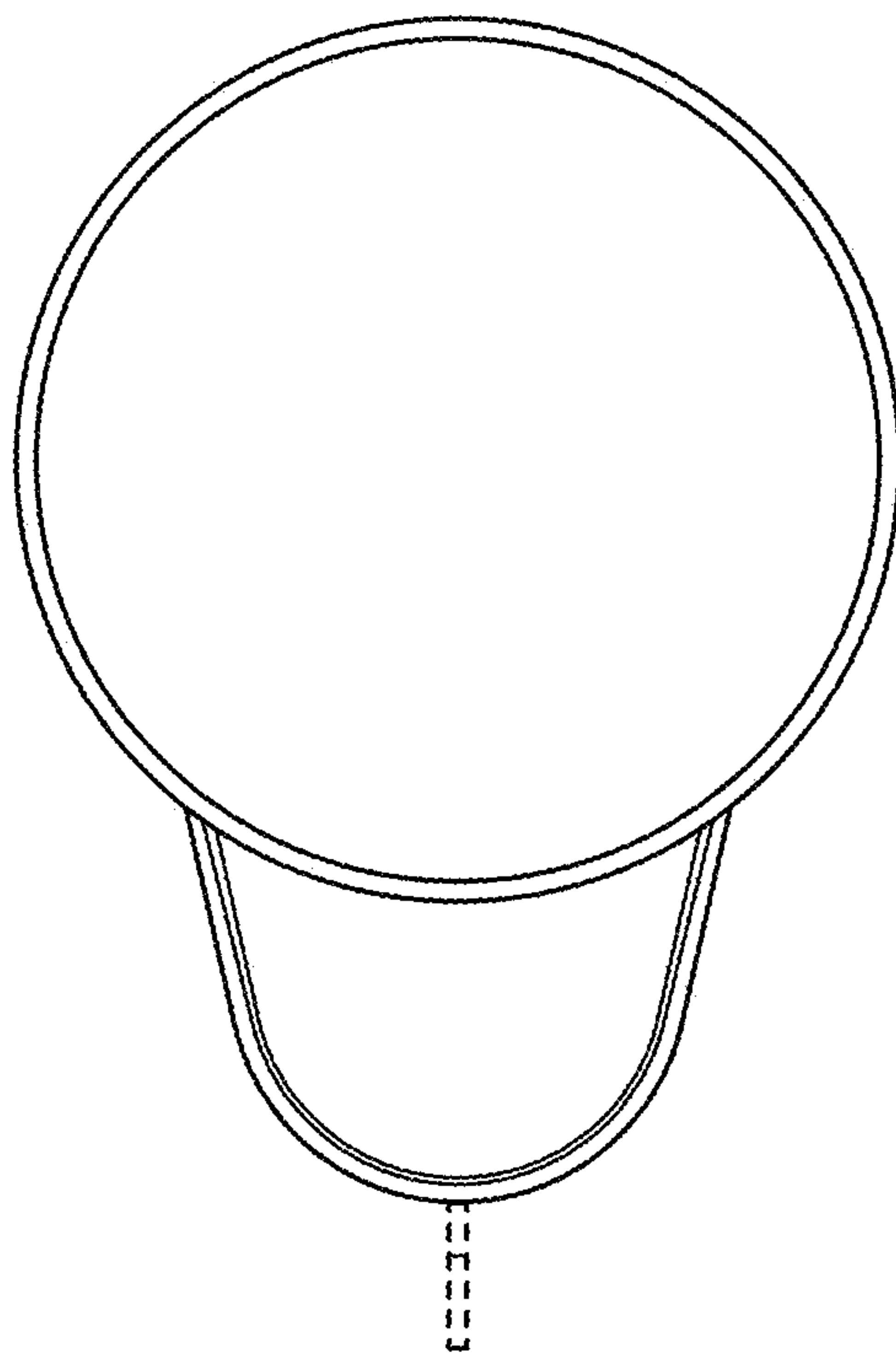


FIG. 4





*FIG. 5*

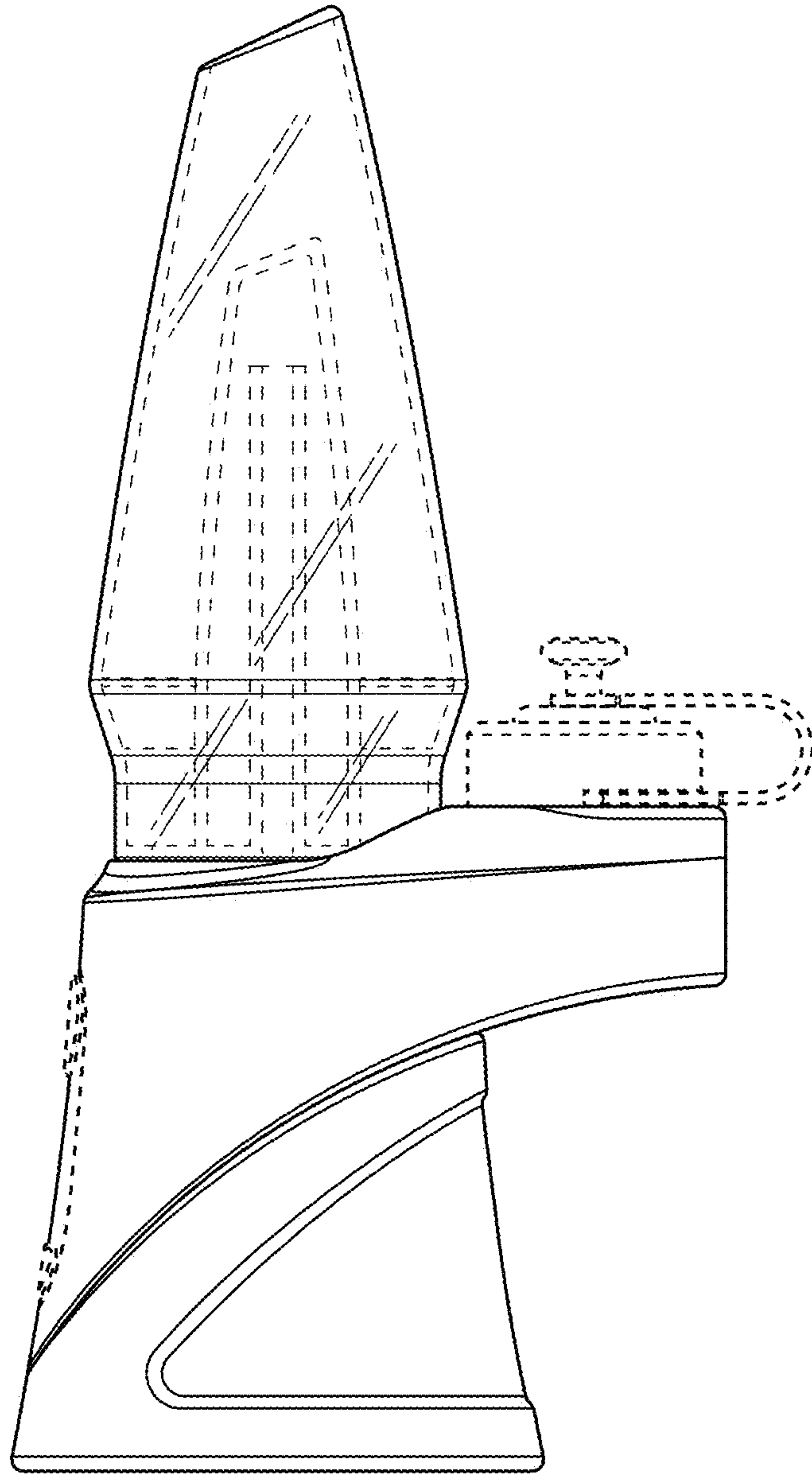


FIG. 6

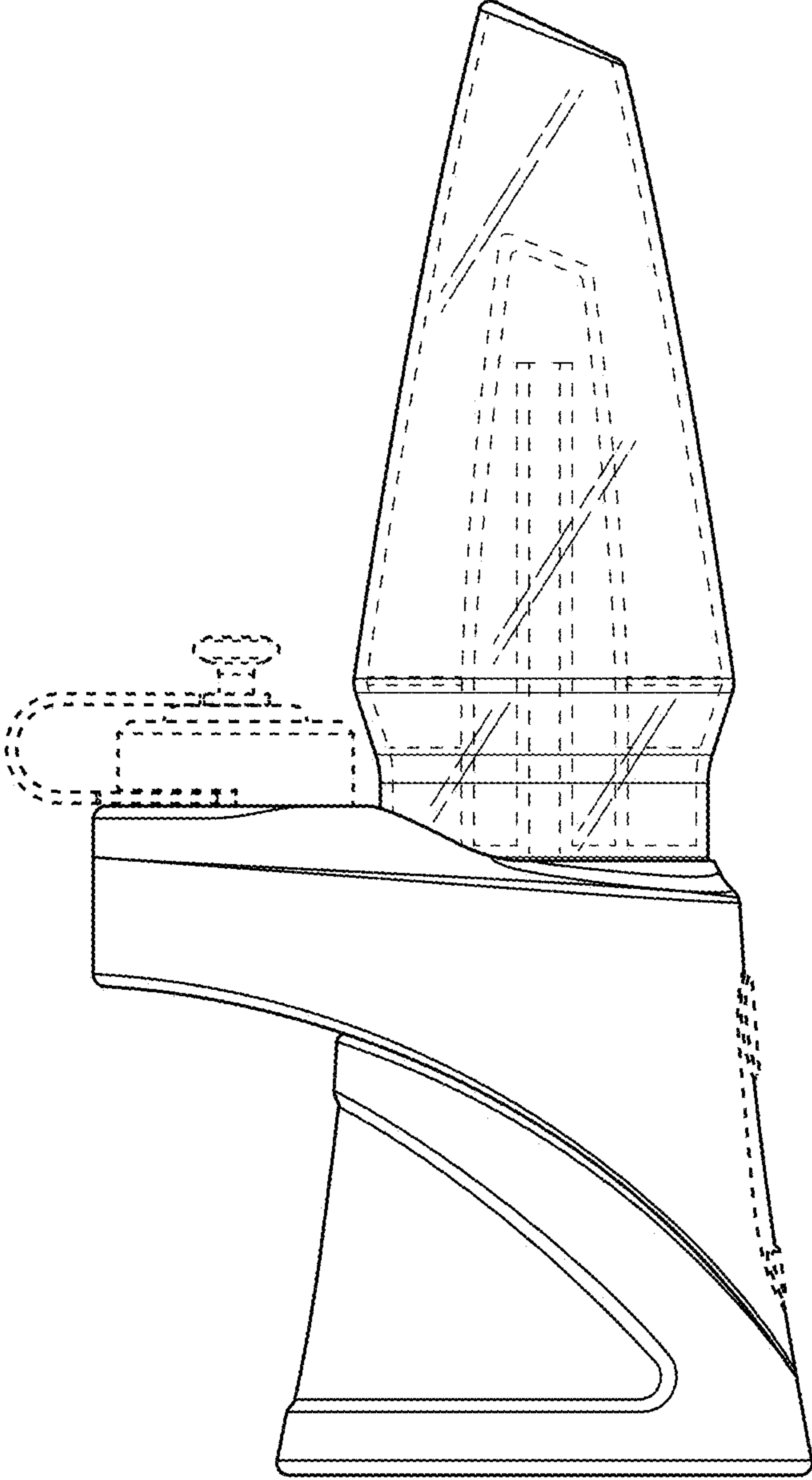


FIG. 7



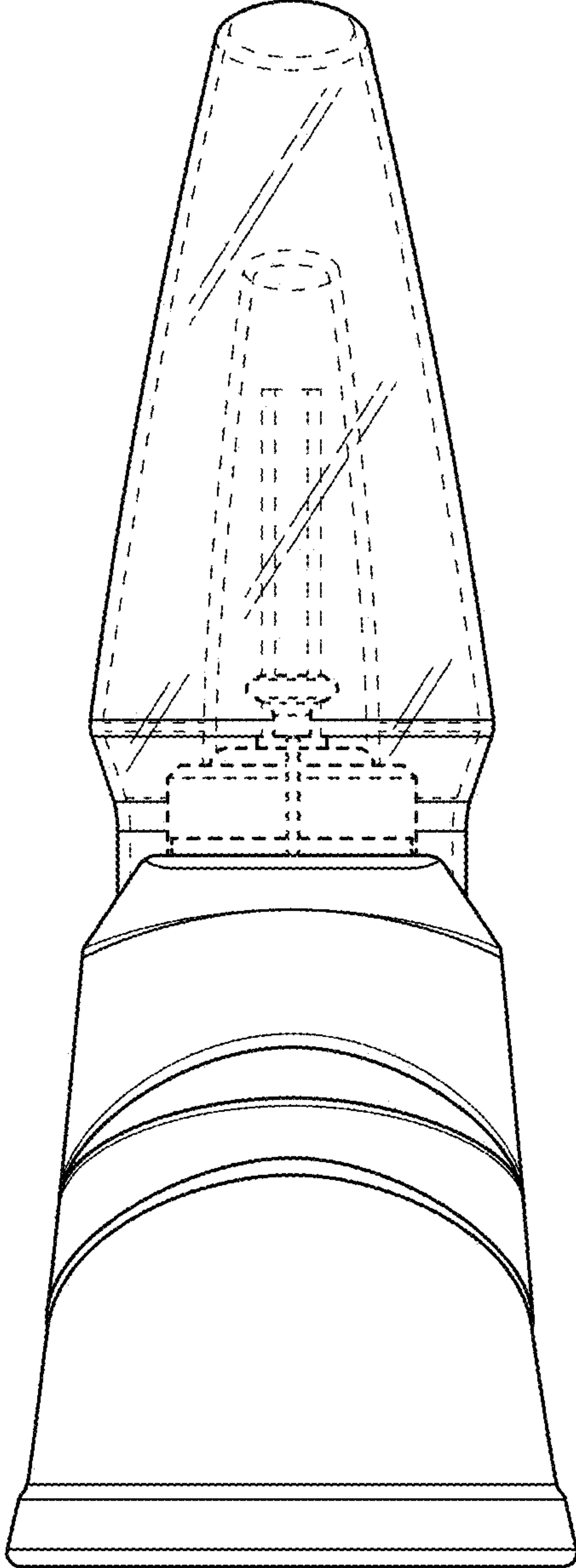


FIG. 8