



US00D978418S

(12) **United States Design Patent** (10) **Patent No.:** **US D978,418 S**  
**Liu** (45) **Date of Patent:** **\*\* Feb. 14, 2023**

(54) **GROUND LIGHT BASE**  
(71) Applicant: **Jiaming Liu**, Shenzhen (CN)  
(72) Inventor: **Jiaming Liu**, Shenzhen (CN)  
(\*\*) Term: **15 Years**  
(21) Appl. No.: **29/848,989**  
(22) Filed: **Aug. 8, 2022**  
(51) **LOC (14) Cl.** ..... **26-05**  
(52) **U.S. Cl.**  
USPC ..... **D26/142; D26/67**  
(58) **Field of Classification Search**  
USPC ..... D26/67-70, 85, 142  
CPC .... F21S 8/03; F21S 8/033; F21S 8/036; F21S  
8/081; F21S 9/037; F21V 21/0824; F21W  
2111/02; F21W 2111/023; F21W  
2131/109  
See application file for complete search history.

(56) **References Cited**  
U.S. PATENT DOCUMENTS  
1,819,733 A \* 8/1931 Castelli ..... F21L 17/00  
428/3  
D365,169 S \* 12/1995 Fillipp ..... D21/718  
10,156,777 B1 \* 12/2018 Altamura ..... F21S 4/10  
D925,901 S 7/2021 Zhong  
D935,676 S \* 11/2021 Ma ..... D26/67  
D942,662 S 2/2022 Wang  
D945,672 S 3/2022 Tsai  
D950,822 S 3/2022 Hollinger

2009/0122564 A1\* 5/2009 Beadle ..... F21V 21/0824  
362/431  
2014/0036487 A1\* 2/2014 Adams ..... E04H 15/62  
24/72.5  
2021/0356098 A1\* 11/2021 Liu ..... F21V 23/009

**OTHER PUBLICATIONS**

Ironsmith Lighting Products 8-Inch Low Profile In-Ground Stake, ASIN: B09JKF9NP7. Available from amazon.com Apr. 14, 2019. (Year: 2019).\*  
Beau Jardin 8 Pcs Plastic Ground Replacement Spikes Stakes 0.8 inch Diameter for Solar Pathway Lights, ASIN: B08BFB5LVS. Available from amazon.com as early as Oct. 8, 2020. (Year: 2020).\*  
Novelty Lights Universal Light Stakes, ASIN: B005XA6MBS. Available from amazon.com as early as Nov. 19, 2016. (Year: 2016).\*

\* cited by examiner

*Primary Examiner* — Clare E Heflin  
(74) *Attorney, Agent, or Firm* — Kevin P. Chen

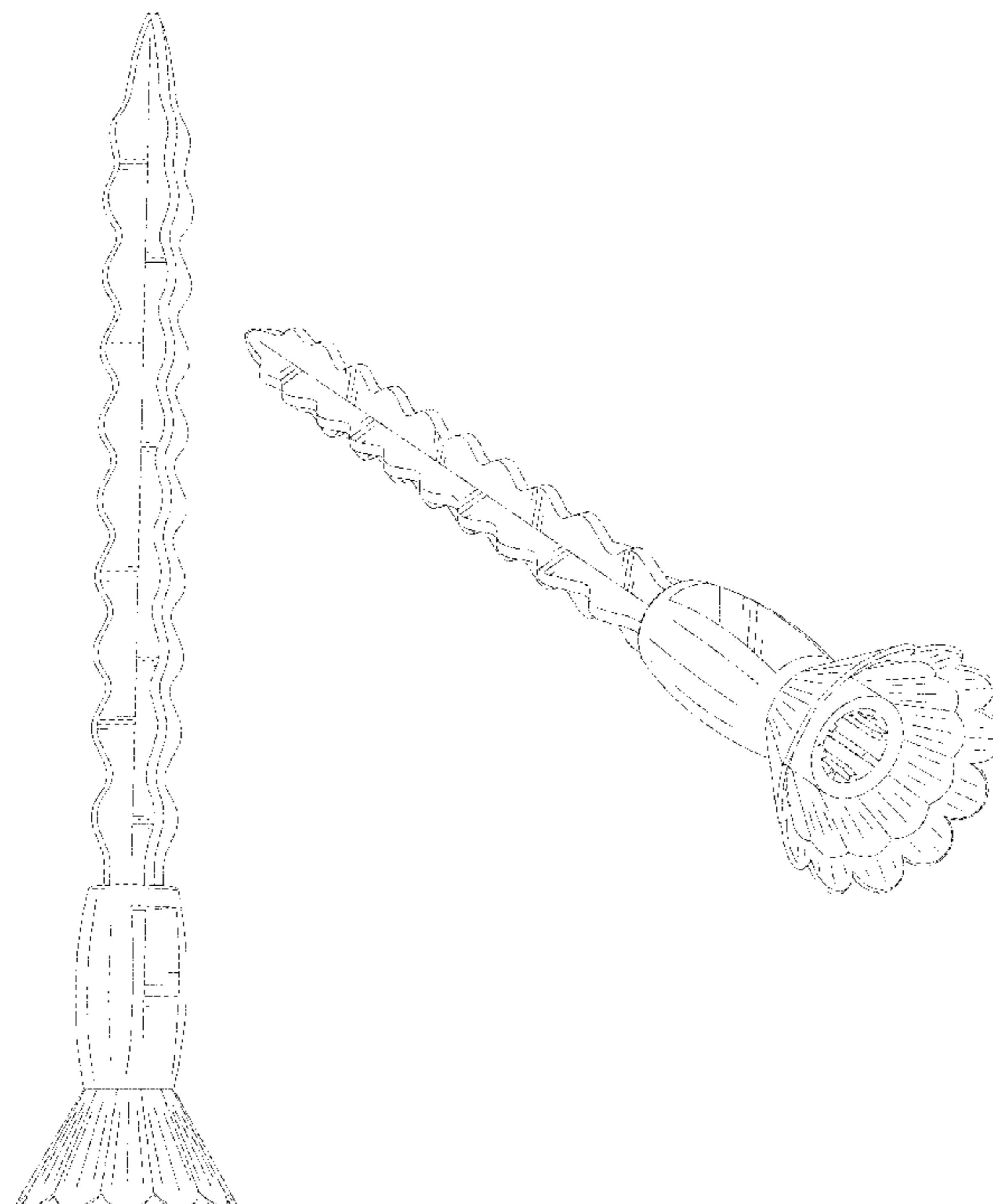
(57) **CLAIM**

The ornamental design for a ground light base, as shown and described.

**DESCRIPTION**

FIG. 1 is a front view of a ground light base showing my new design;  
FIG. 2 is a rear view thereof;  
FIG. 3 is a right view of thereof;  
FIG. 4 is a left view thereof;  
FIG. 5 is a top view thereof;  
FIG. 6 is a bottom view thereof;  
FIG. 7 is a side view thereof, rotated forty-five degrees from the side shown in FIG. 3; and,  
FIG. 8 is another perspective view thereof.

**1 Claim, 8 Drawing Sheets**



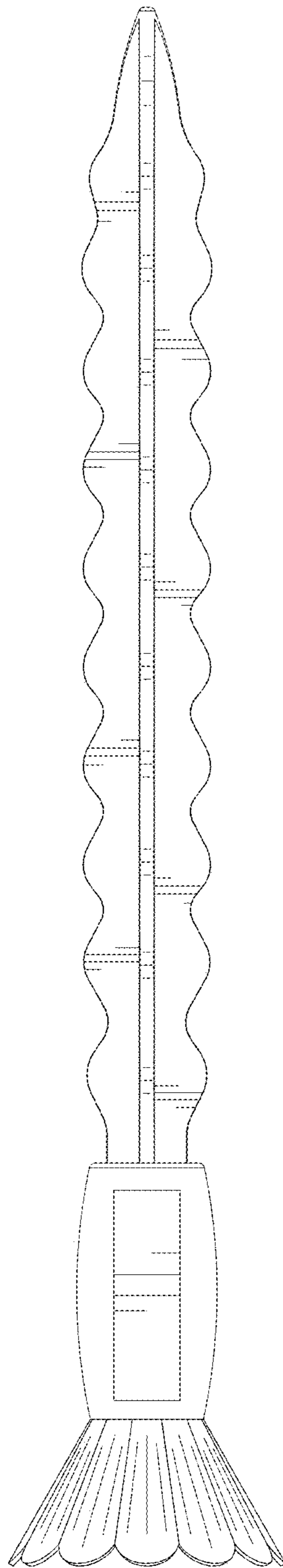


FIG. 1

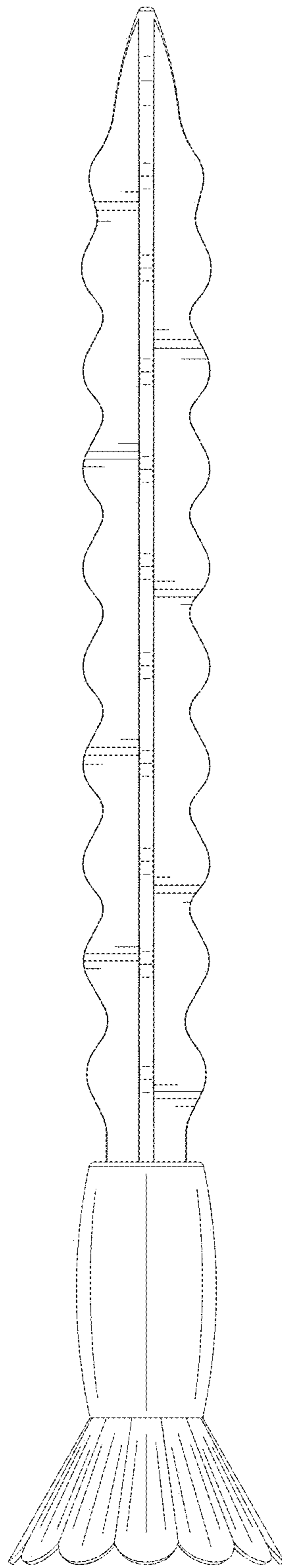


FIG. 2

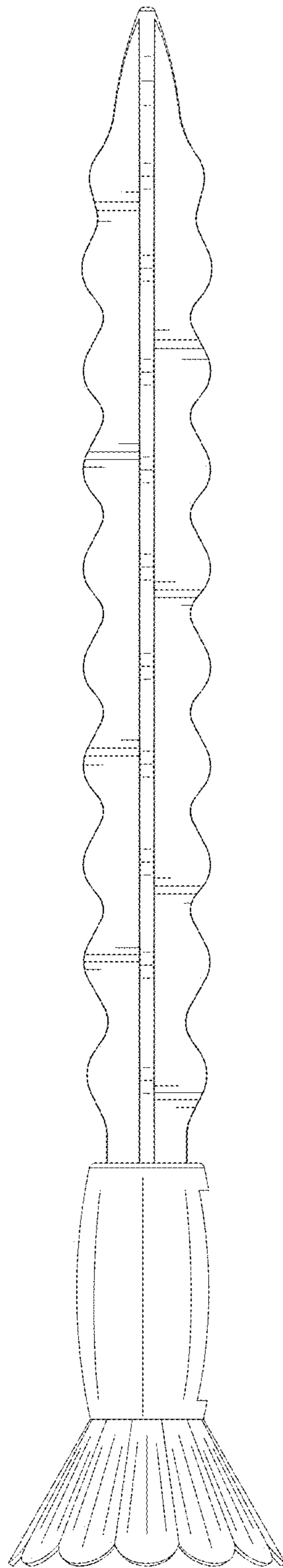


FIG. 3

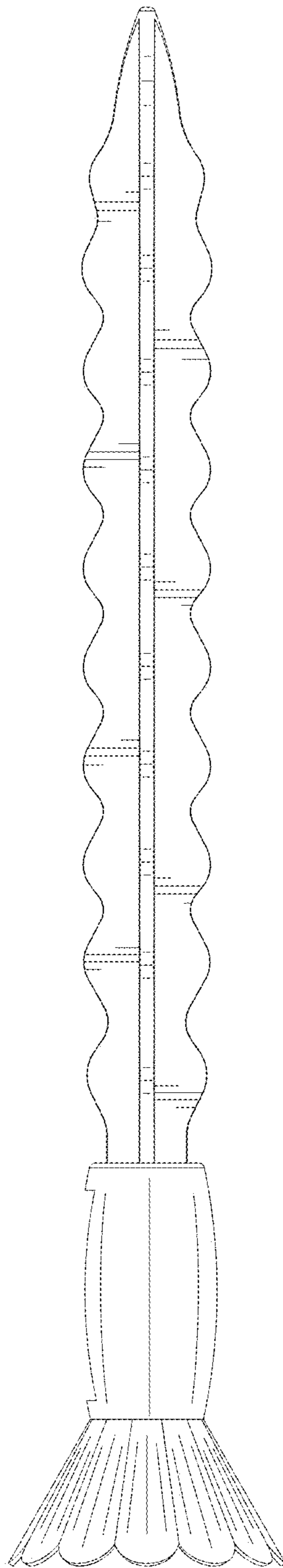


FIG. 4

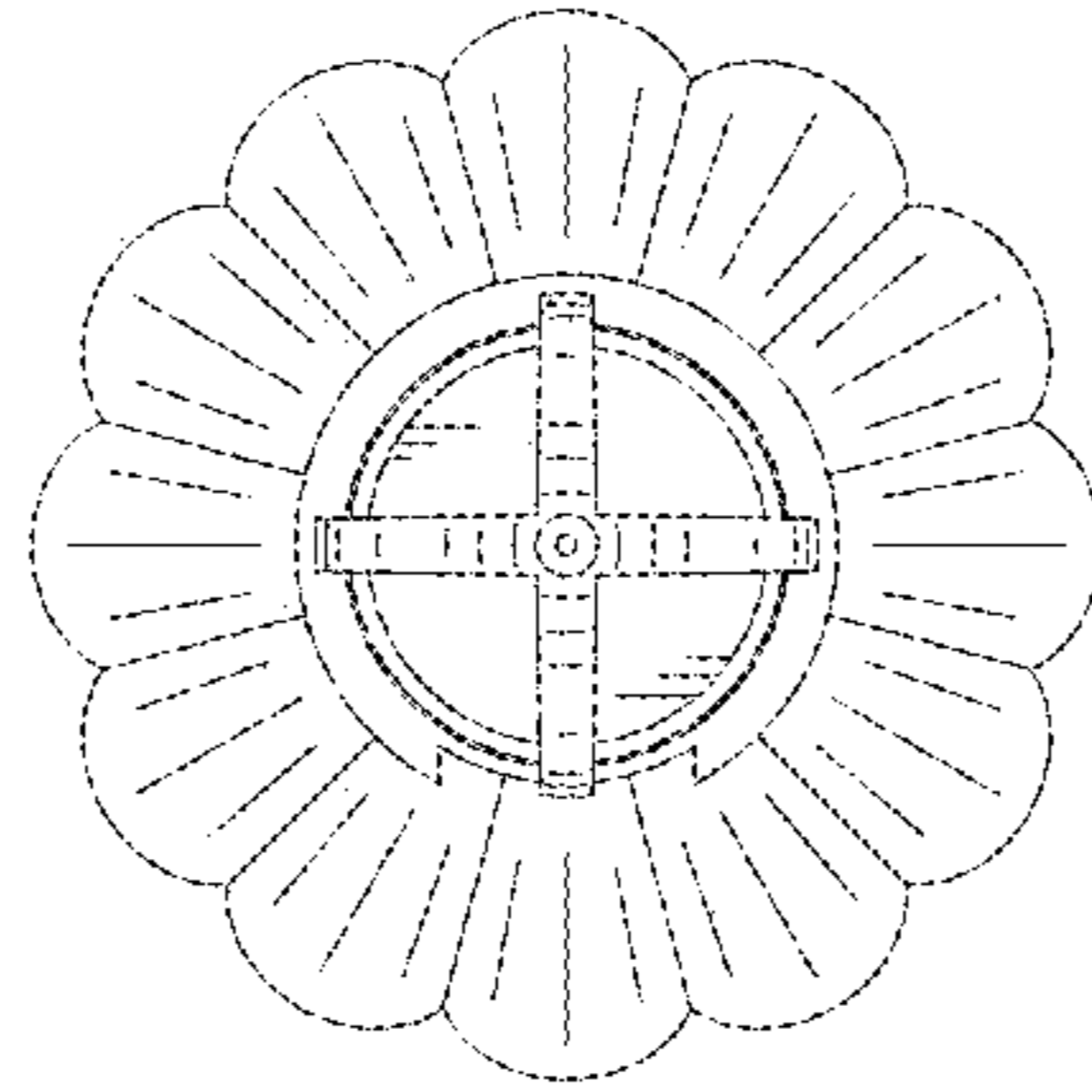


FIG. 5

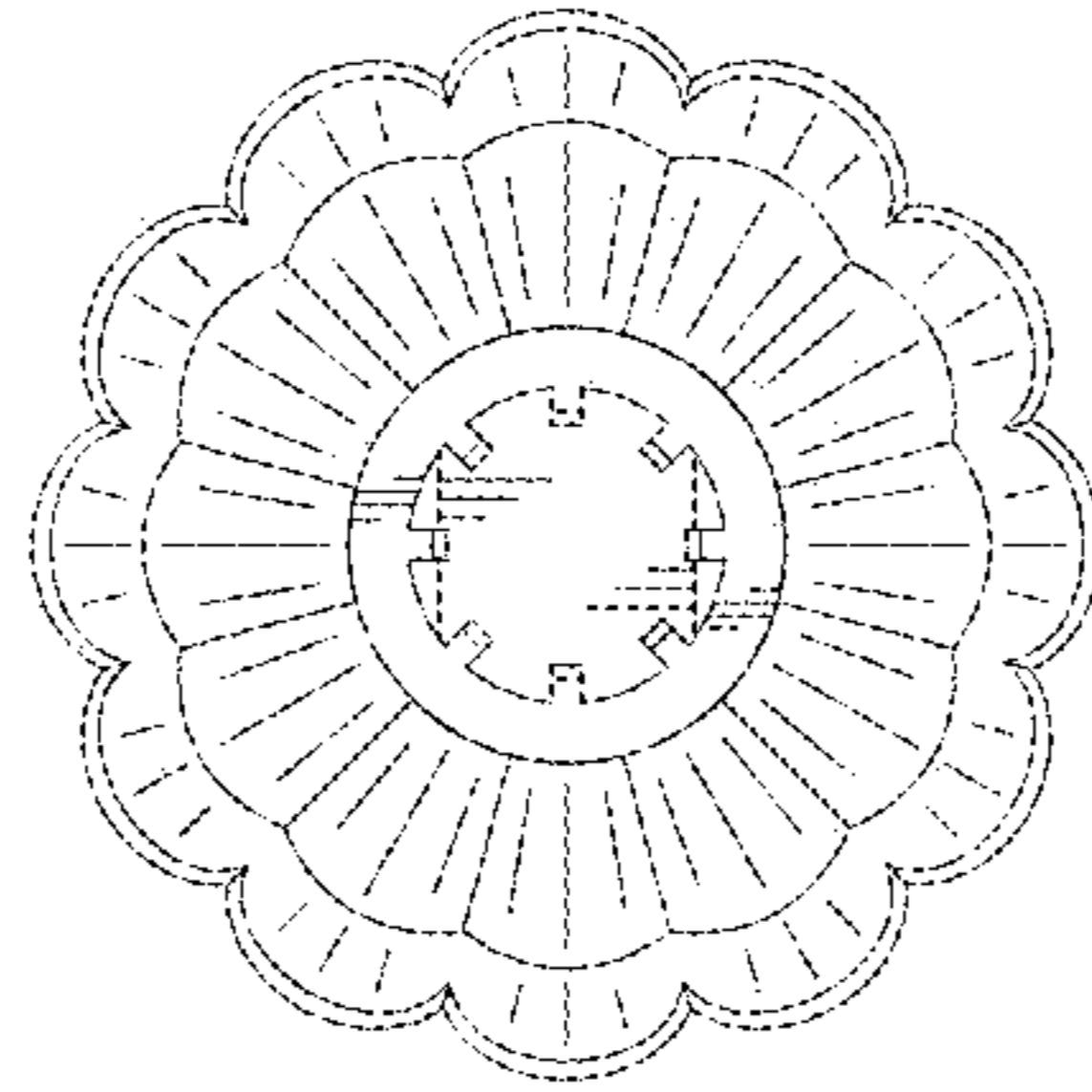


FIG. 6

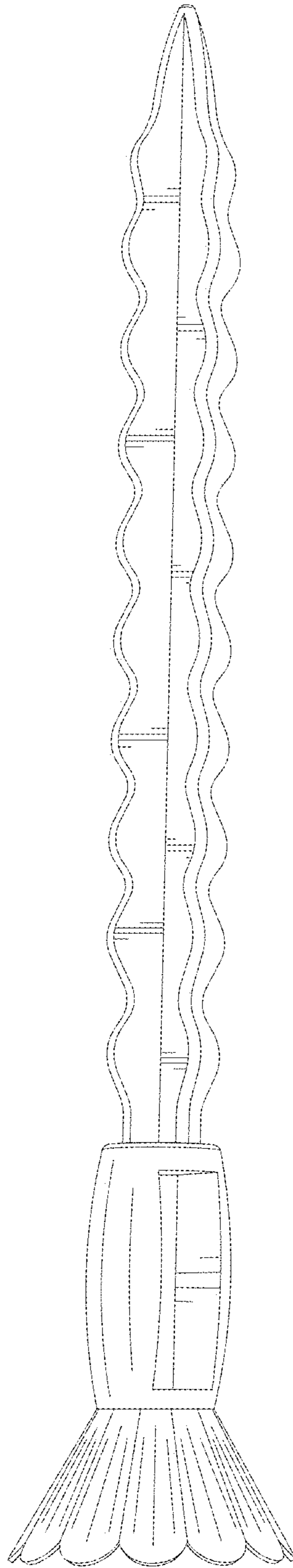


FIG. 7



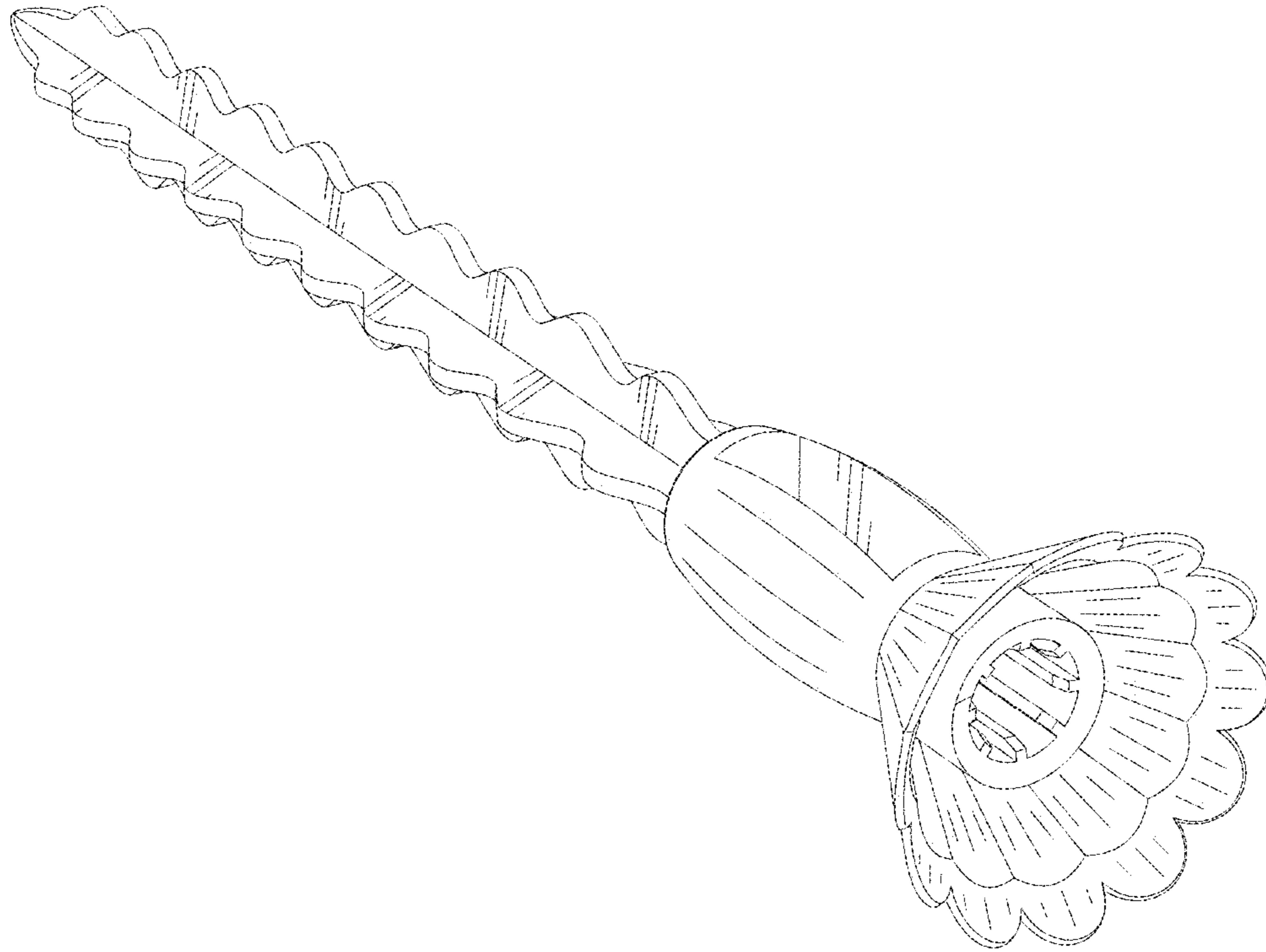


FIG. 8