



US00D978417S

(12) **United States Design Patent** (10) **Patent No.:** **US D978,417 S**
Yang (45) **Date of Patent:** **** Feb. 14, 2023**

(54) **LIGHT HOLDER**

(71) Applicant: **Yuhao Yang**, Linhai (CN)

(72) Inventor: **Yuhao Yang**, Linhai (CN)

(**) Term: **15 Years**

(21) Appl. No.: **29/830,276**

(22) Filed: **Mar. 11, 2022**

(51) **LOC (14) Cl.** **26-05**

(52) **U.S. Cl.**
USPC **D26/138**

(58) **Field of Classification Search**
USPC D26/25, 72, 74, 76, 78-83, 85, 86, 88,
D26/90, 93, 111, 113, 118, 119, 120, 121,
D26/122, 138, 139, 140, 141, 142, 152
CPC F21S 2/00; F21S 4/00; F21S 4/003; F21S
4/005; F21S 4/006; F21S 4/007; F21S
4/008; F21S 6/00; F21S 8/00; F21S
8/024; F21S 8/026; F21S 8/031; F21S
8/033; F21S 8/035-037; F21S 8/04; F21S
8/043; F21S 8/063

See application file for complete search history.

(56) **References Cited**

U.S. PATENT DOCUMENTS

D336,536 S	*	6/1993	Shaanan	D26/140
D375,453 S	*	11/1996	Fleck	D8/395
D379,247 S	*	5/1997	Stangland	D26/138
D422,744 S	*	4/2000	Losole, III	D26/138
D422,745 S	*	4/2000	Losole, III	D26/138
D453,572 S	*	2/2002	Livecchi	D24/224
D519,455 S	*	4/2006	Tufano	D13/134
D533,960 S		12/2006	Flores		
D578,868 S	*	10/2008	Ramakers	D8/354
D581,091 S		11/2008	Hofer		

D583,761 S	*	12/2008	Schenck	D13/134
D631,840 S	*	2/2011	Qian	D13/134
D651,568 S	*	1/2012	Hicks	D13/134
D709,643 S	*	7/2014	Kohler	D26/138
D782,419 S	*	3/2017	Willette	D13/134
D816,874 S	*	5/2018	Lentz	D26/25
D828,948 S	*	9/2018	Altamura	D26/113
D853,624 S	*	7/2019	Hargreaves	D26/138
D858,863 S	*	9/2019	Deng	D26/119
D869,012 S	*	12/2019	Zhu	D26/25
D914,271 S	*	3/2021	Wang	D26/138
D919,127 S	*	5/2021	Zhou	D26/25
D940,919 S	*	1/2022	Jin	D26/4

* cited by examiner

Primary Examiner — Natasha Vujcic

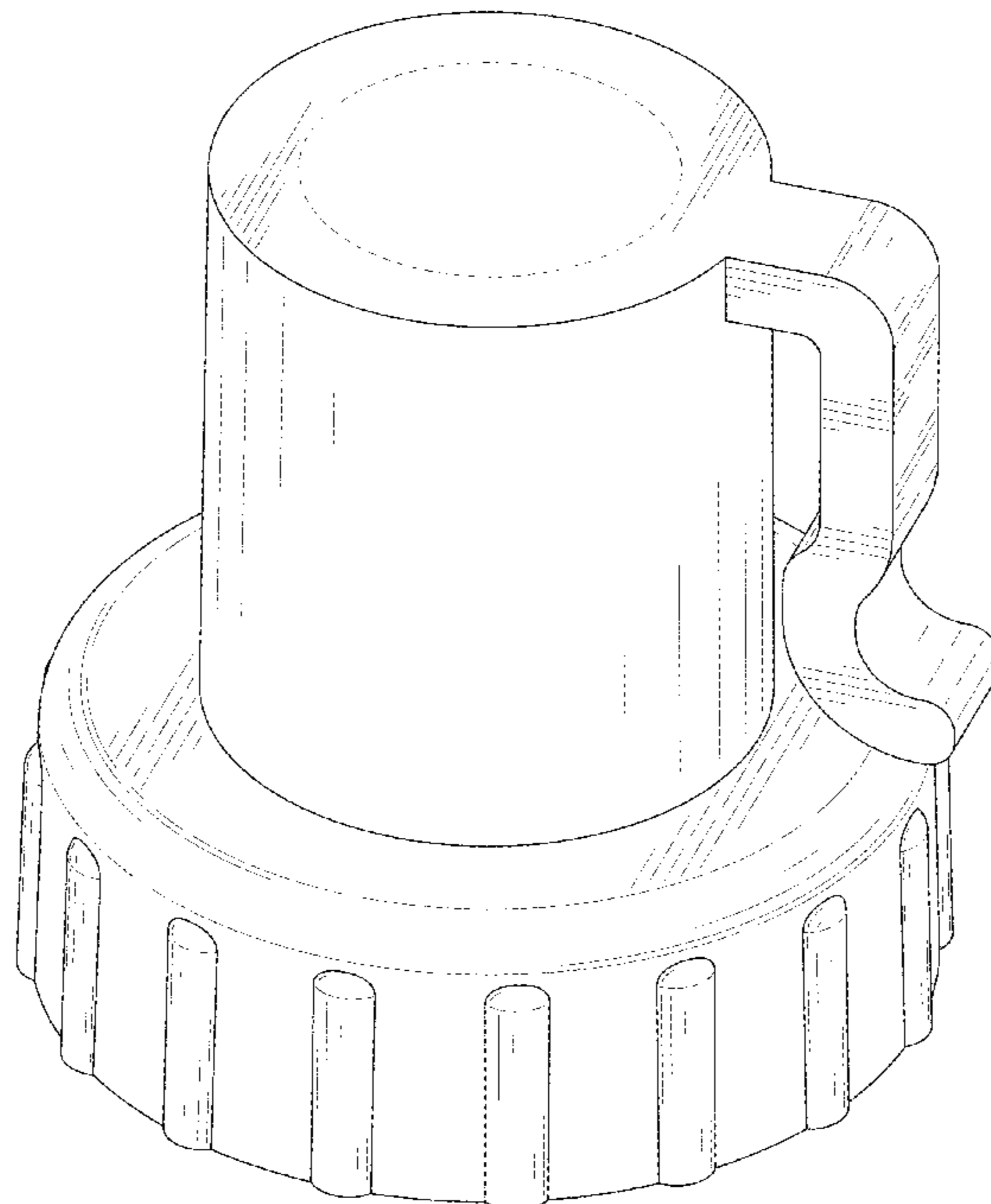
(57) **CLAIM**

The ornamental design for a light holder, as shown and described.

DESCRIPTION

FIG. 1 is a perspective view of a light holder showing my new design;
FIG. 2 is another perspective view thereof;
FIG. 3 is a front elevational view thereof;
FIG. 4 is a rear elevational view thereof;
FIG. 5 is a left side elevational view thereof;
FIG. 6 is a right side elevational view thereof;
FIG. 7 is a top plan view thereof;
FIG. 8 is a bottom plan view thereof; and,
FIG. 9 is a perspective view of the light holder where the light holder is in a configuration of use.
The broken lines in the drawings illustrate portions of the light holder and its environment which form no part of the claimed design.

1 Claim, 9 Drawing Sheets



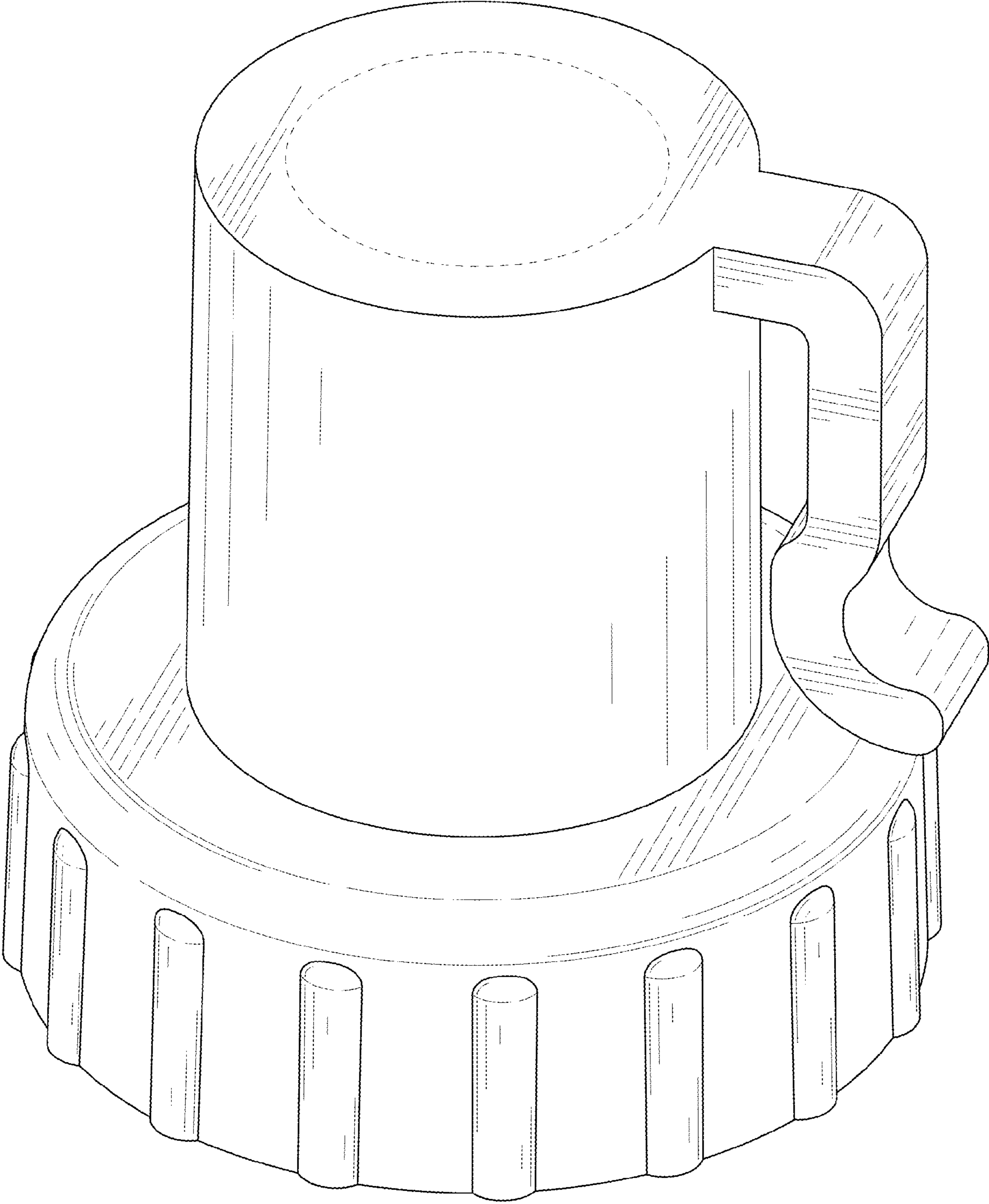


FIG. 1

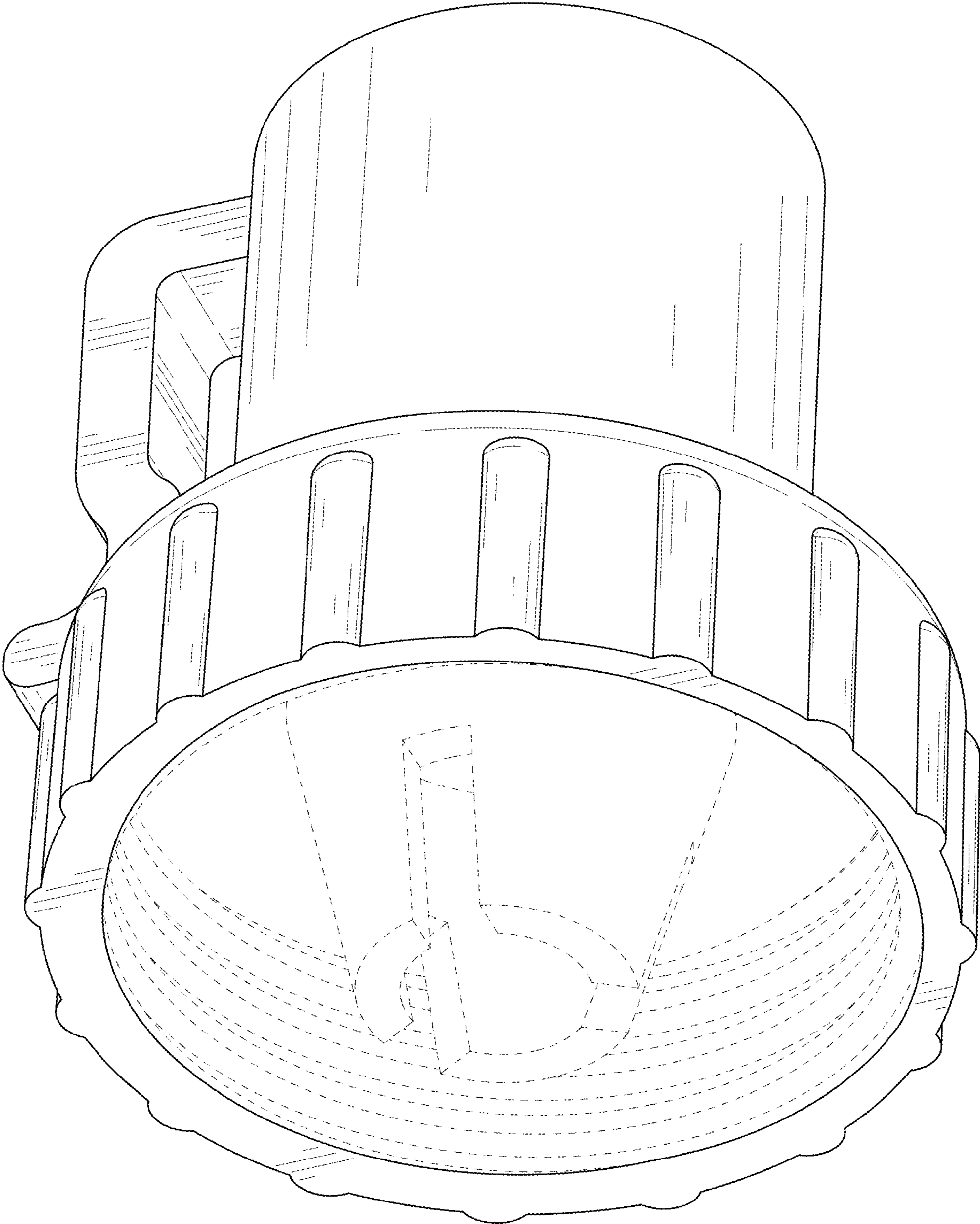


FIG. 2

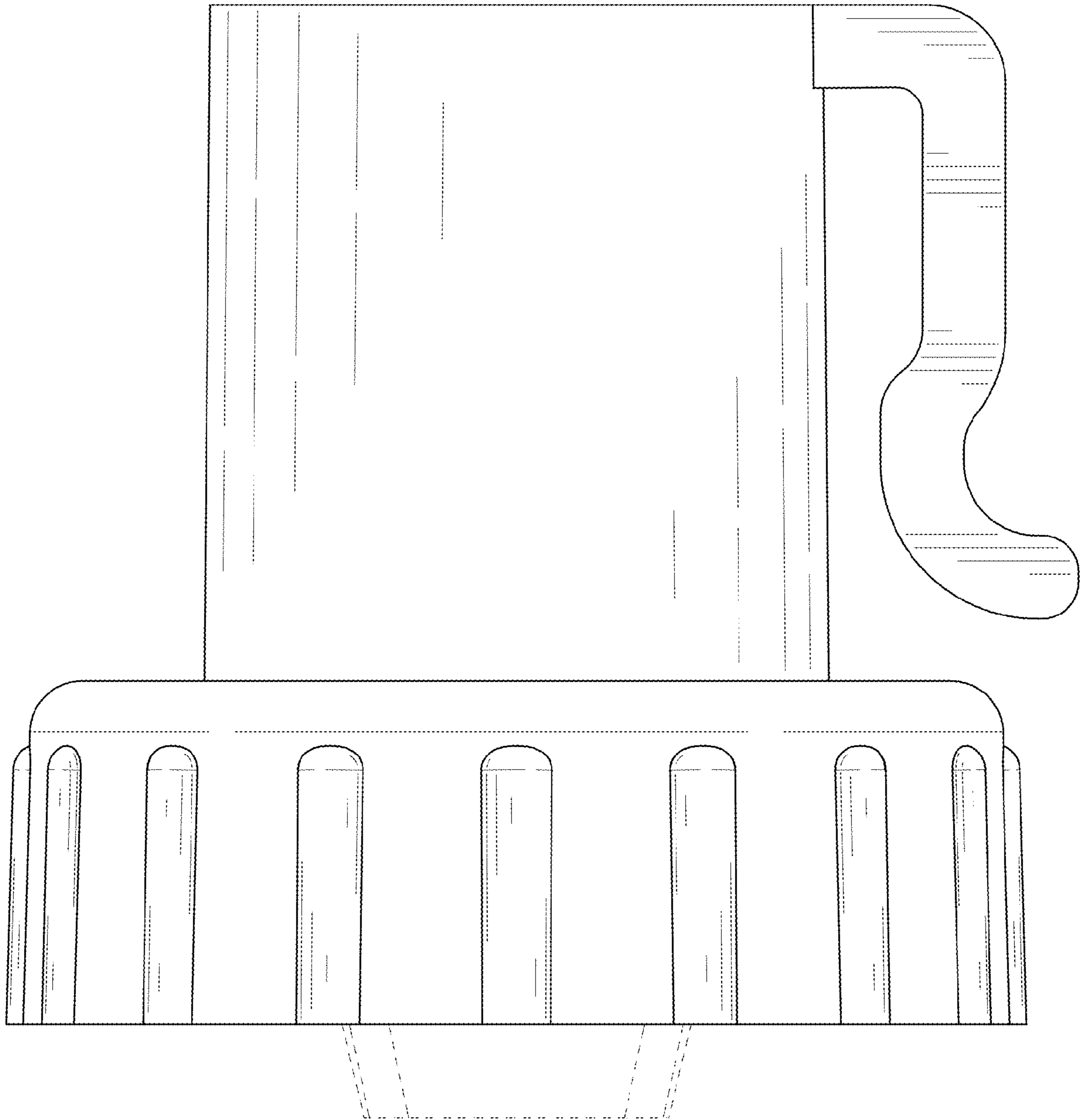


FIG. 3

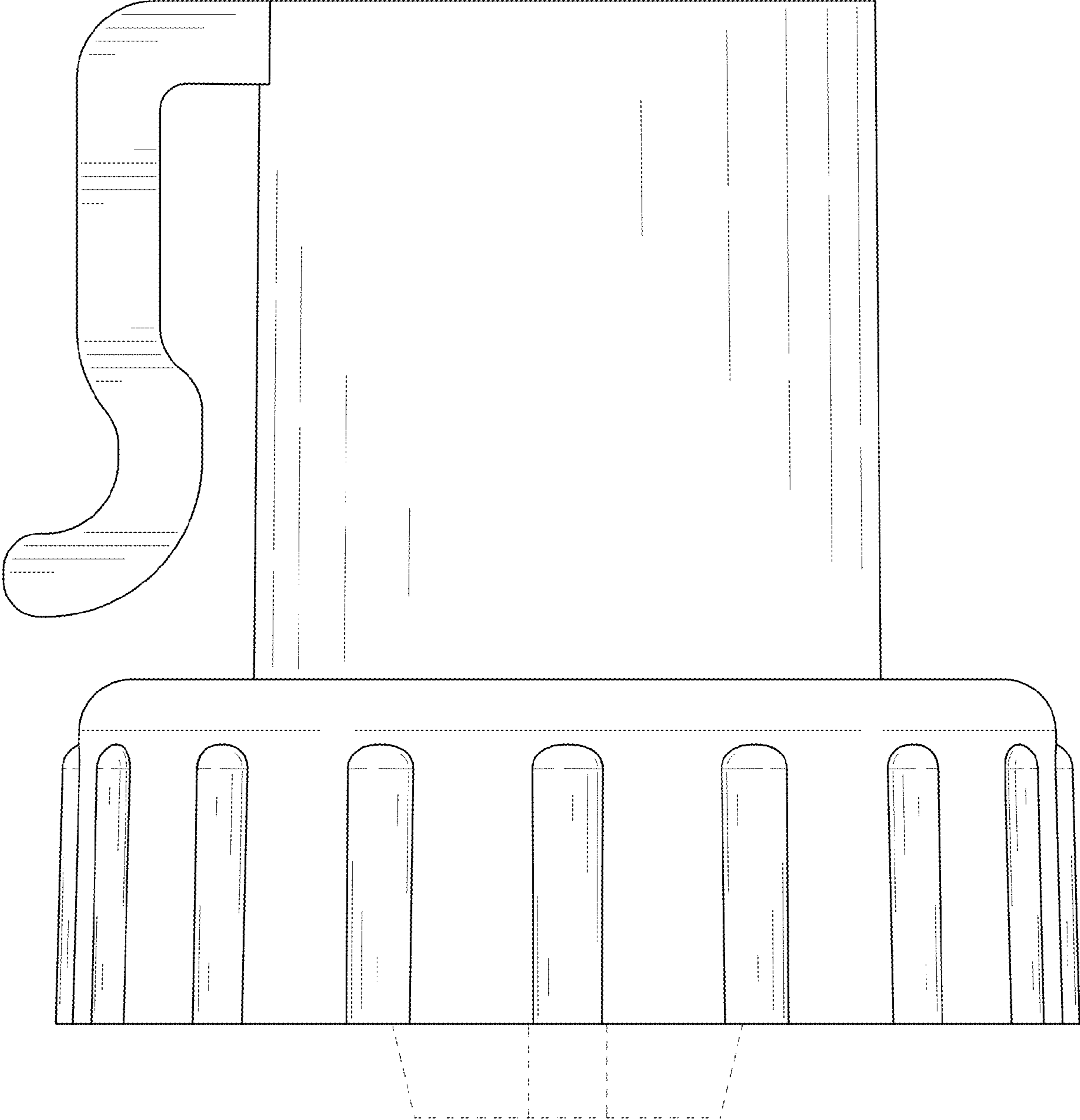


FIG. 4

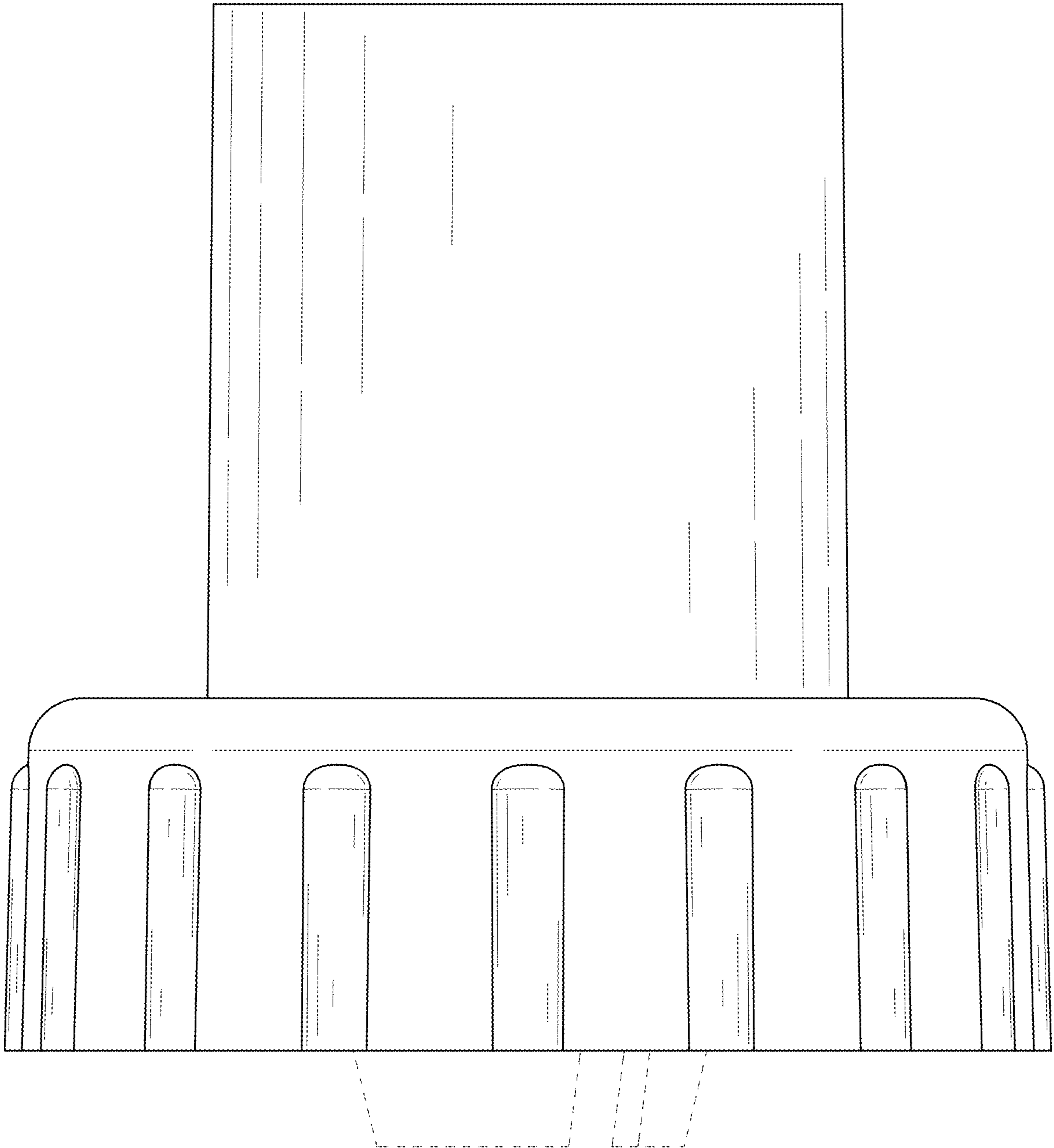


FIG. 5

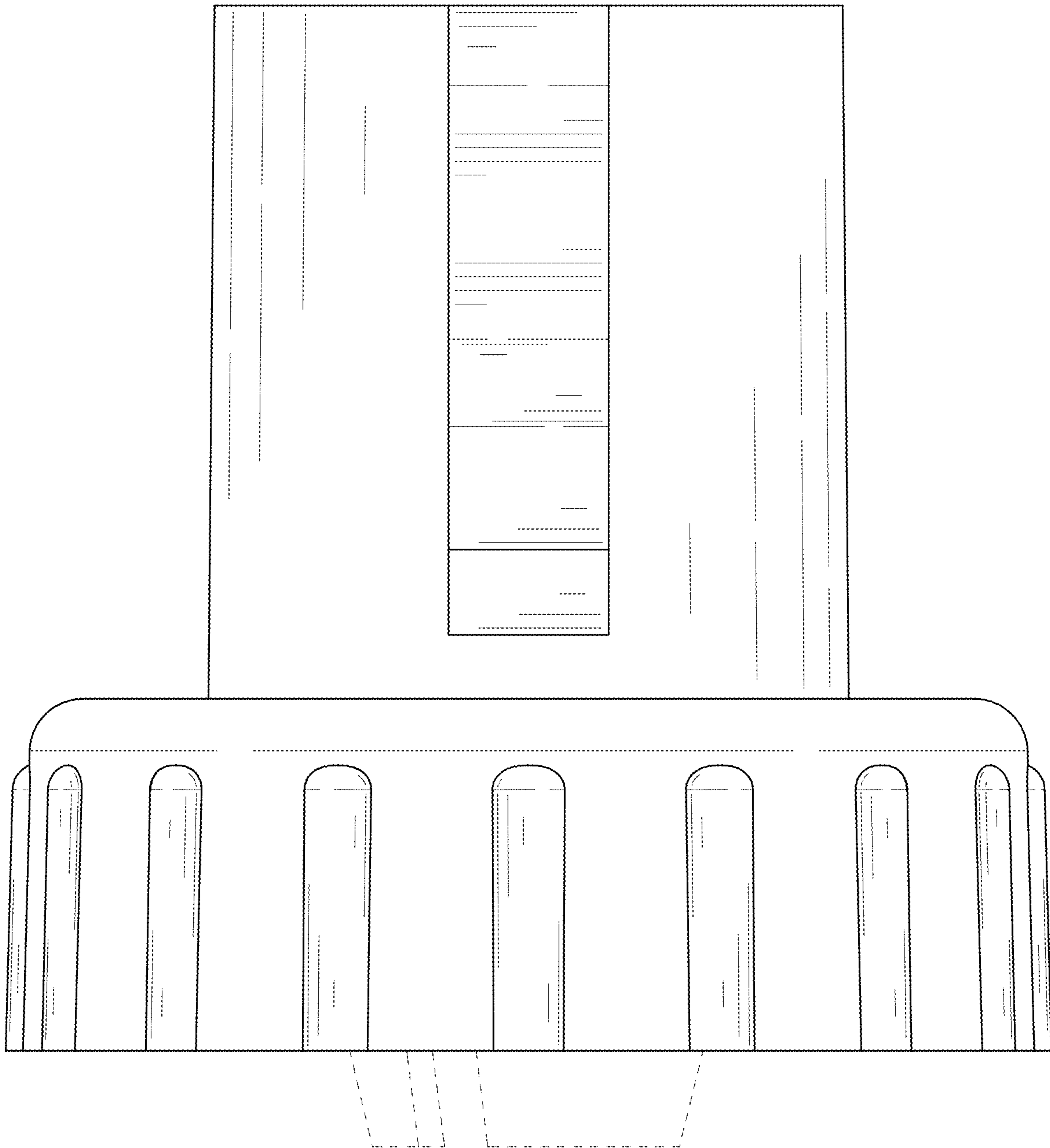


FIG. 6

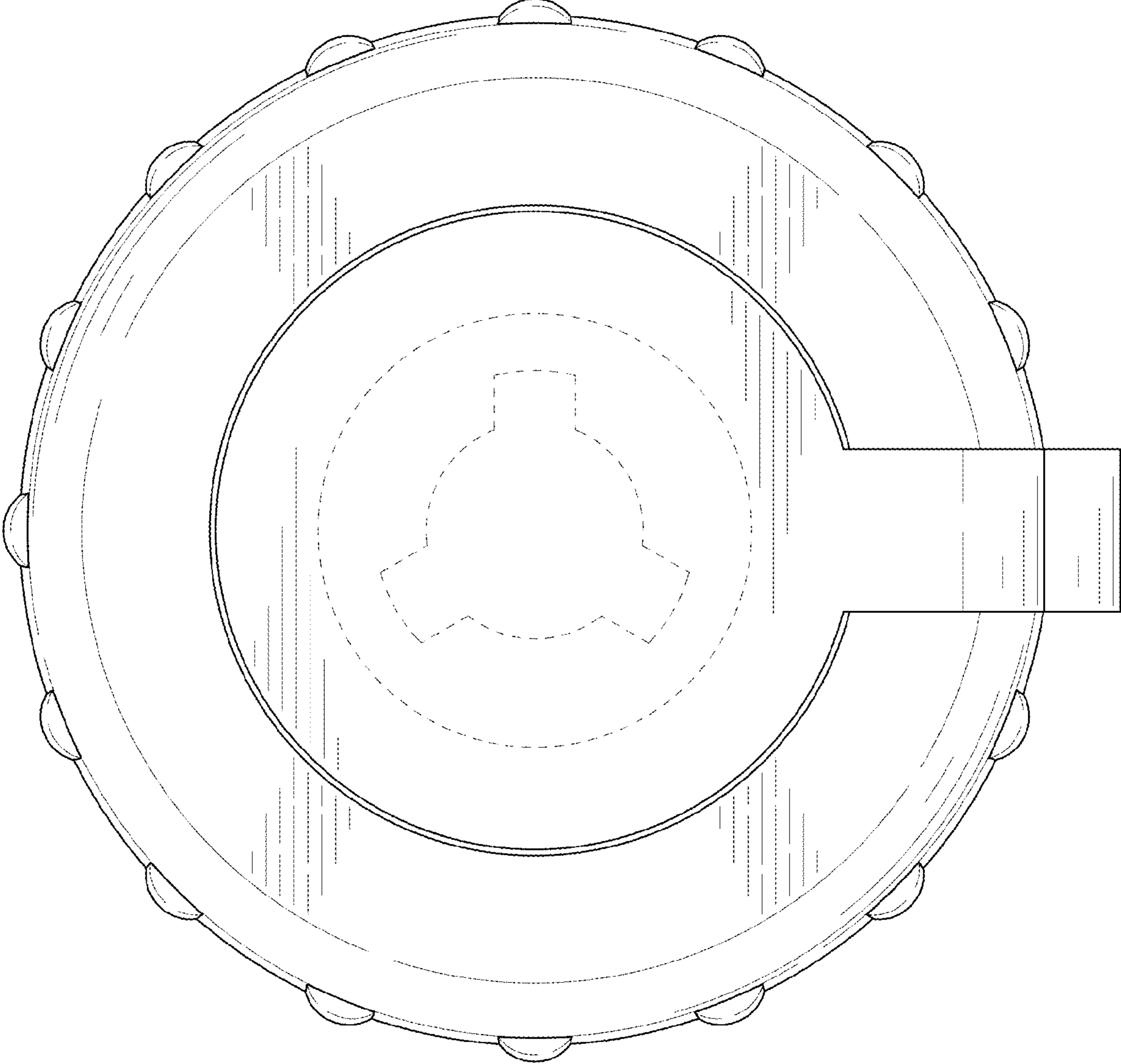


FIG. 7

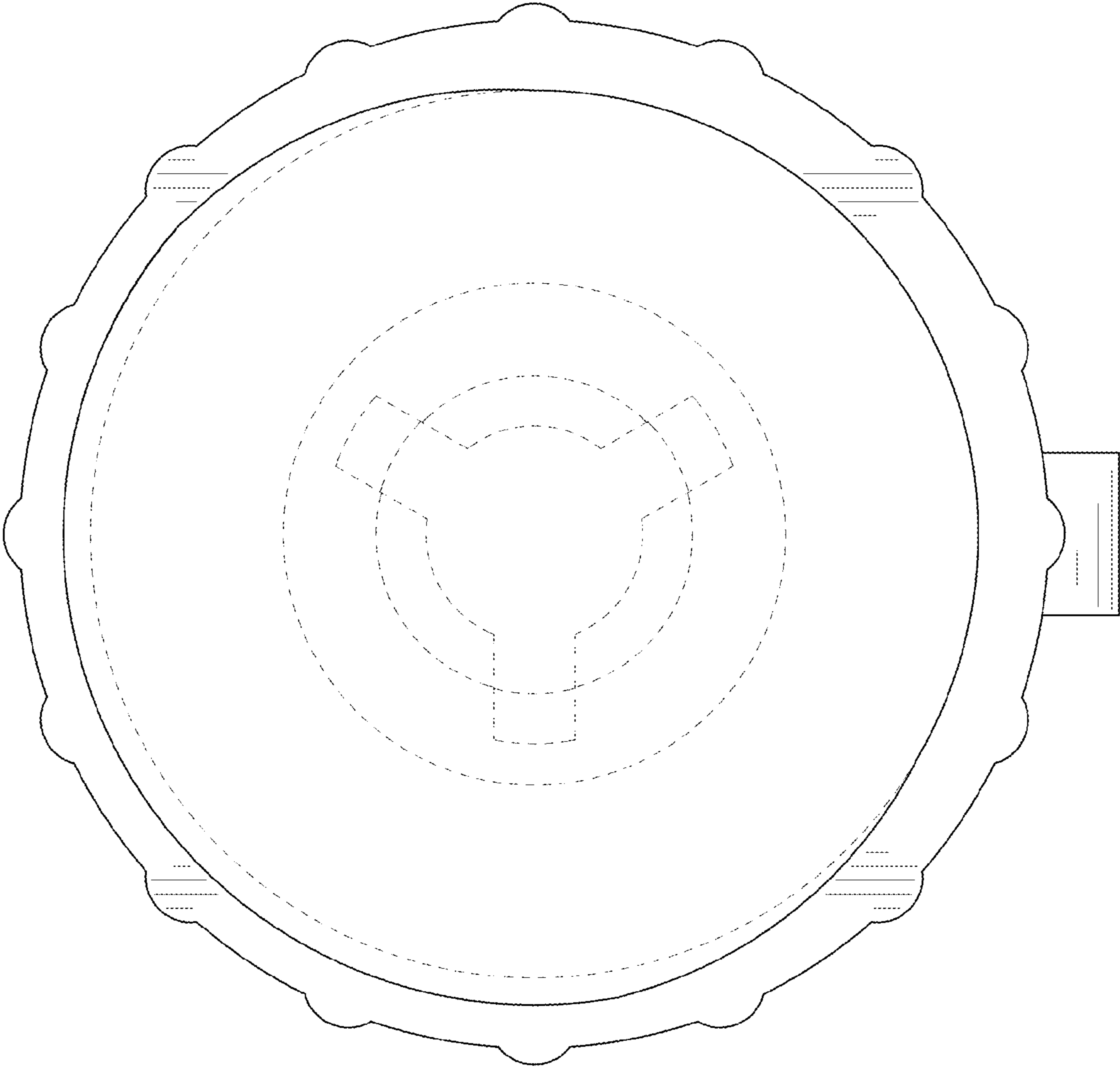


FIG. 8

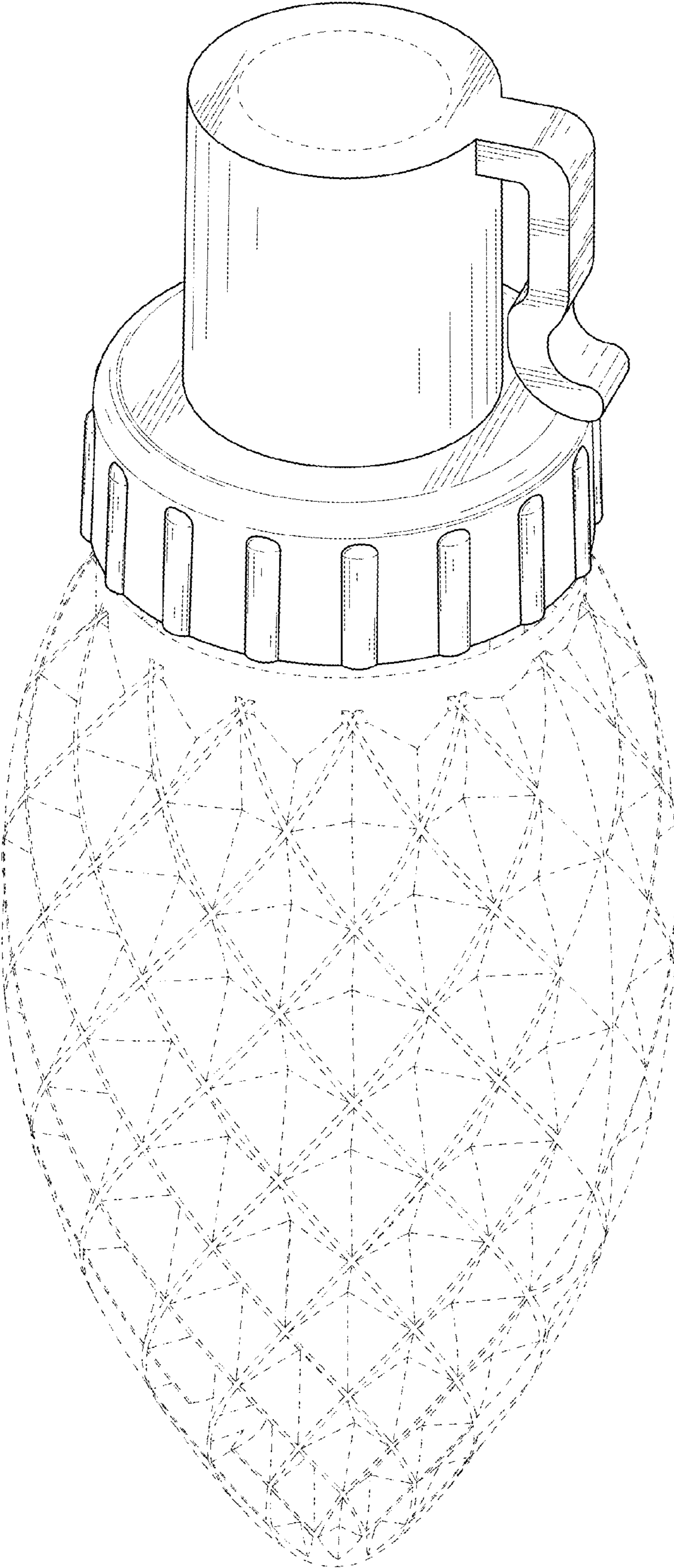


FIG. 9