



US00D978415S

(12) **United States Design Patent** (10) **Patent No.:** **US D978,415 S**
Yu (45) **Date of Patent:** **** Feb. 14, 2023**

(54) **LAMP HOLDER**

(71) Applicant: **NINGBO WELL ELECTRIC APPLIANCE CO., LTD.**, Ningbo (CN)

(72) Inventor: **Guolin Yu**, Ningbo (CN)

(73) Assignee: **NINGBO WELL ELECTRIC APPLIANCE CO., LTD.**, Ningbo (CN)

(**) Term: **15 Years**

(21) Appl. No.: **29/781,004**

(22) Filed: **Apr. 28, 2021**

(51) **LOC (14) Cl.** **26-05**

(52) **U.S. Cl.**
USPC **D26/119**

(58) **Field of Classification Search**
USPC D26/25, 40, 72, 80, 82, 83, 85, 87, 88, D26/89, 102, 110, 118, 119
CPC F21S 8/03; F21S 8/04; F21S 8/06; F21S 8/003; F21S 8/041; F21S 8/046; F21S 8/061; F21S 8/063; F21S 4/00; F21S 4/10; F21S 4/20; F21V 23/06; F21V 23/001; F21V 15/01; F21V 15/02; F21V 21/02; F21V 21/03; F21V 21/005; F21V 21/008; F21W 2131/10; F21W 2131/101; F21W 2131/1005

See application file for complete search history.

(56) **References Cited**

U.S. PATENT DOCUMENTS

3,078,367 A * 2/1963 Jackson F21V 21/0885 24/511
D439,697 S * 3/2001 Klaus D26/119

D469,565 S * 1/2003 Anderson D20/17
D832,492 S * 10/2018 Murphy D26/118
D832,493 S * 10/2018 Murphy D26/118
D863,658 S * 10/2019 Altamura D26/118
D915,644 S * 4/2021 Lin D26/25
D917,740 S * 4/2021 Lan D26/25
D940,377 S * 1/2022 Lin D26/83
2019/0063697 A1 * 2/2019 Lan F21S 2/005

* cited by examiner

Primary Examiner — Wan Laymon
Assistant Examiner — Clint A Samuel

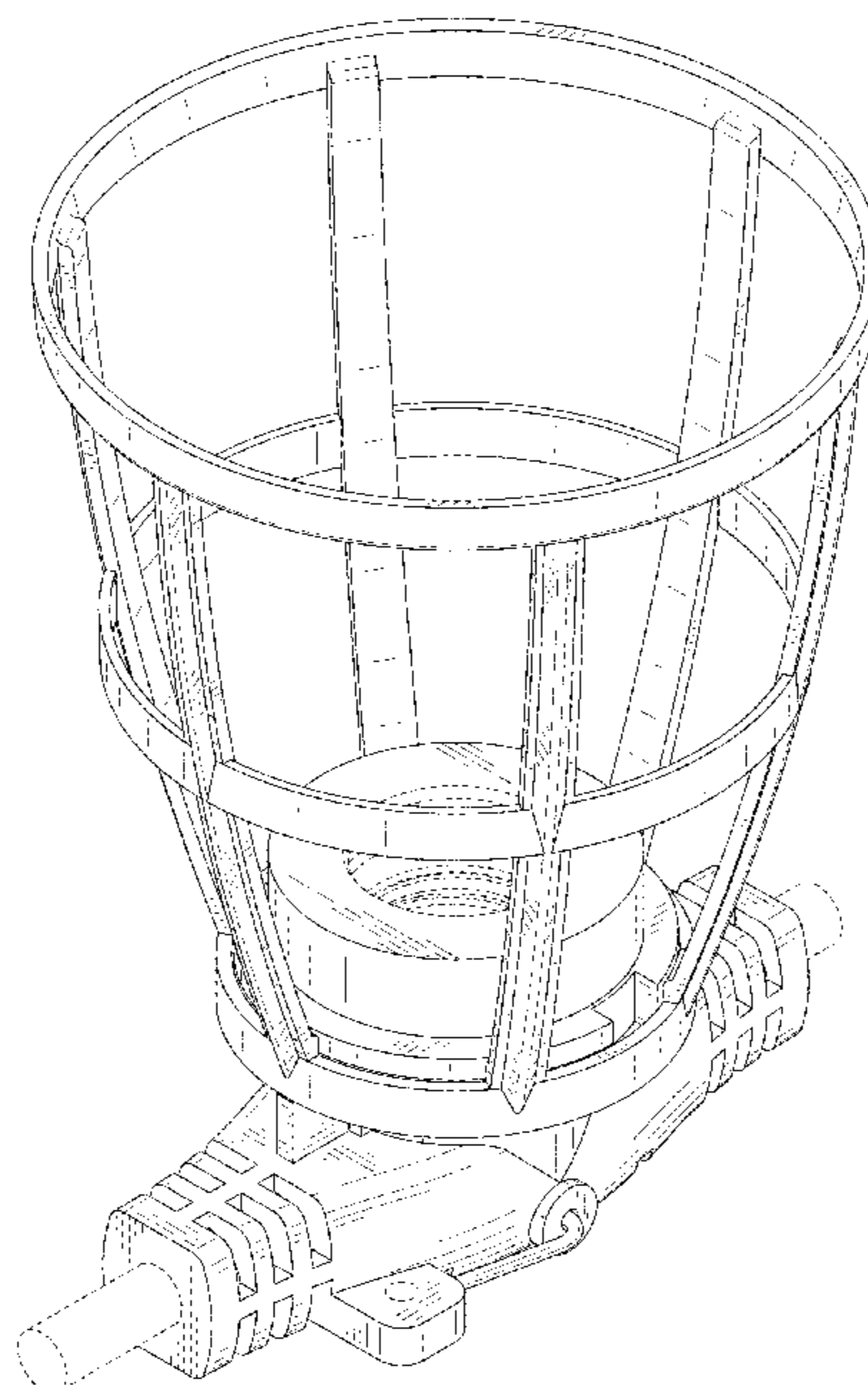
(57) **CLAIM**

The ornamental design for a lamp holder, as shown and described.

DESCRIPTION

FIG. 1 is a left, front, top perspective view of a lamp holder showing my new design;
FIG. 2 is a right, rear, bottom perspective view thereof;
FIG. 3 is a front plan view thereof;
FIG. 4 is a rear plan view thereof;
FIG. 5 is a left side elevational view thereof;
FIG. 6 is a right side elevational view thereof;
FIG. 7 is a top elevational view thereof;
FIG. 8 is a bottom elevational view thereof; and,
FIG. 9 is a right, rear, bottom perspective view of the lamp holder of FIG. 2 in a using state.
In the drawings, the broken lines depict portions of the lamp holder that form no part of the claimed design.

1 Claim, 9 Drawing Sheets



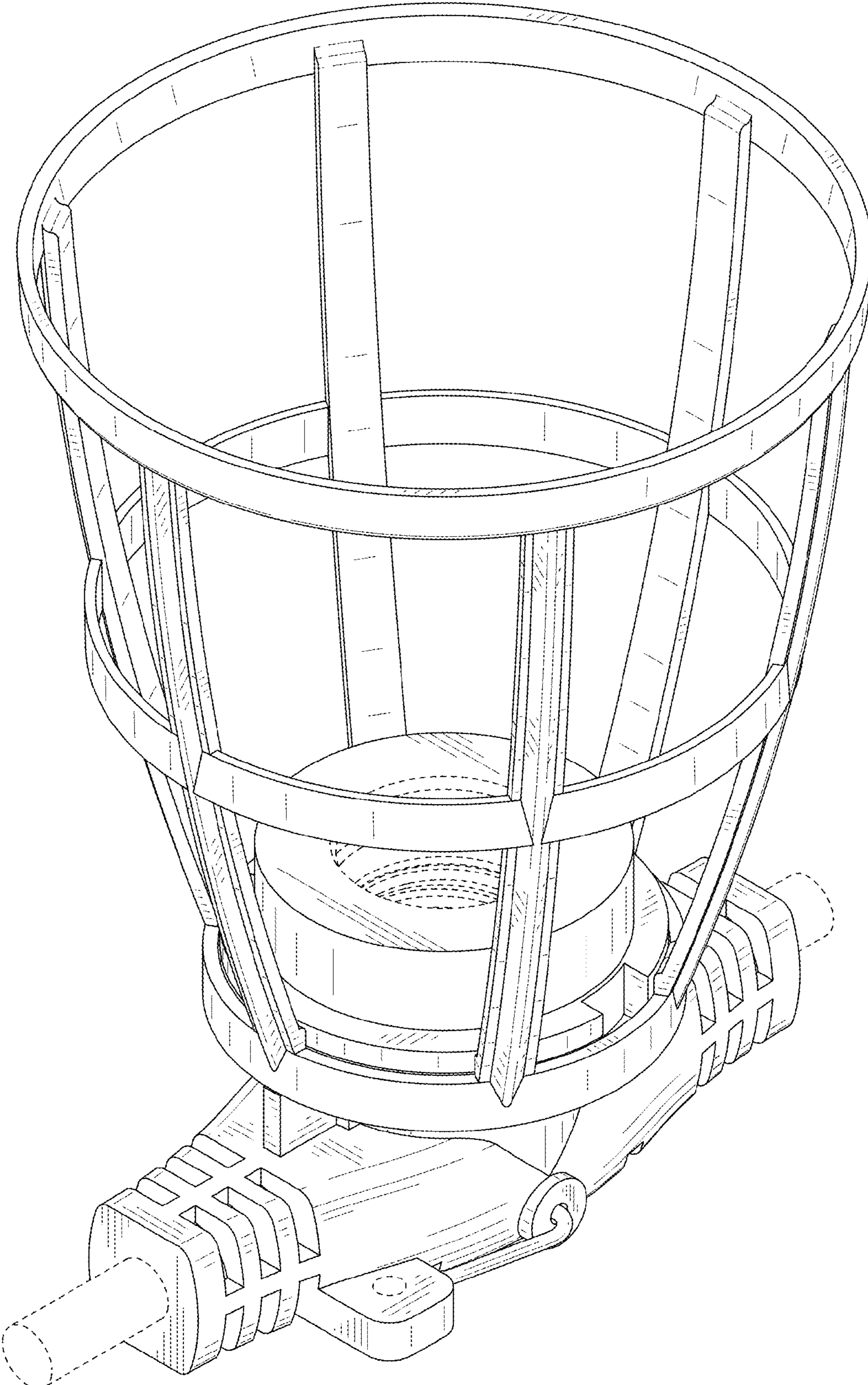


FIG. 1

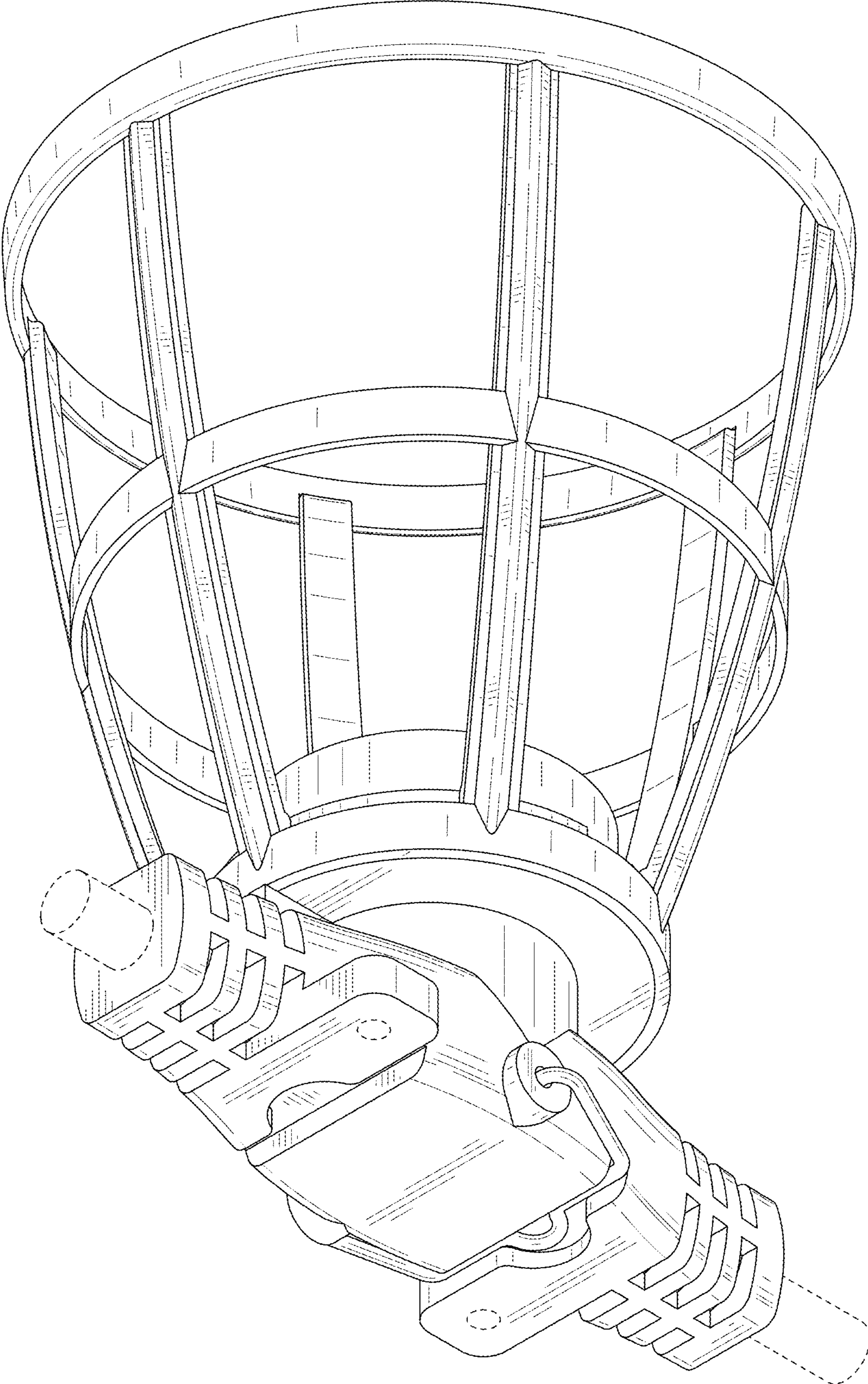


FIG. 2

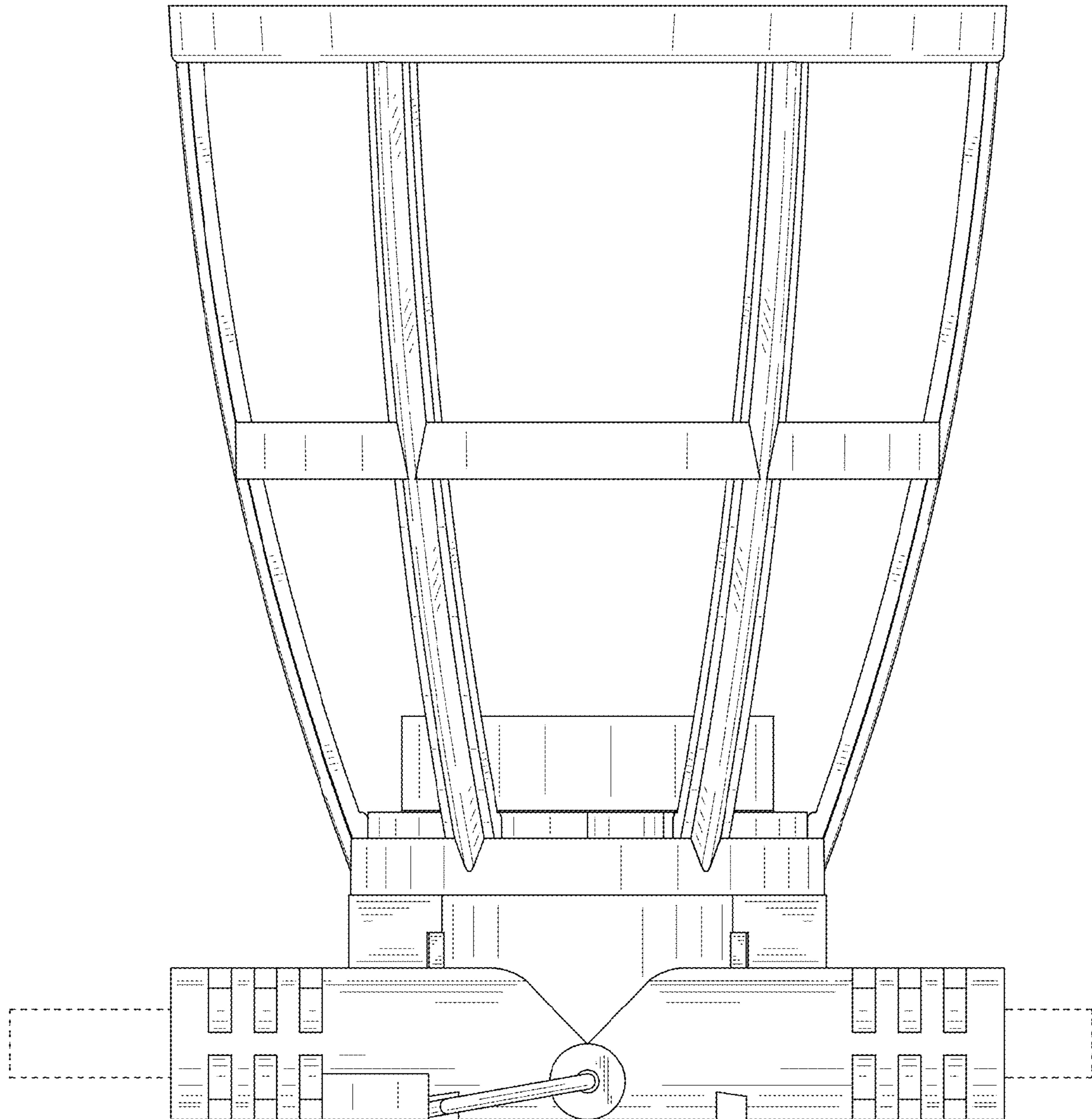


FIG. 3

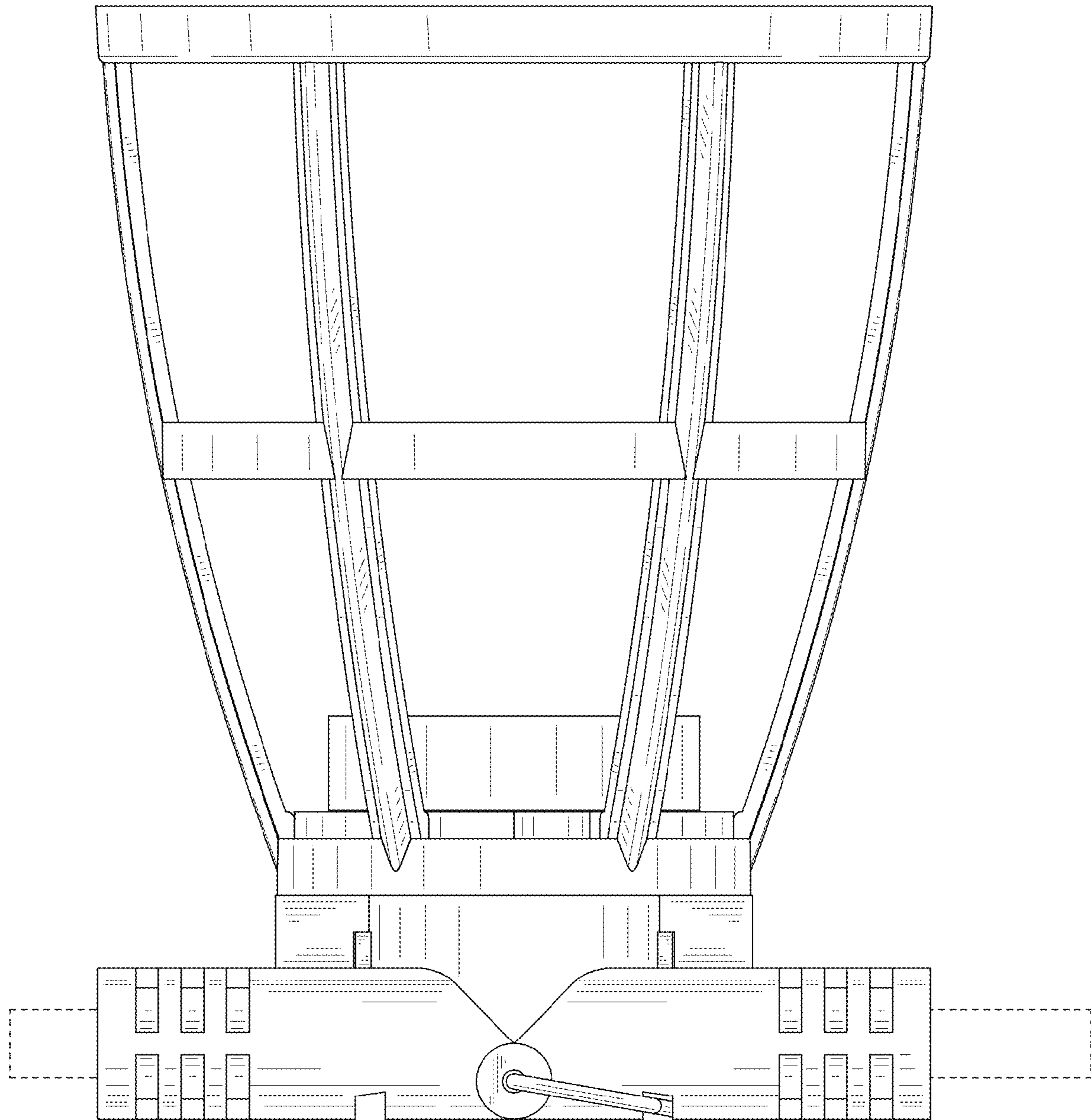


FIG. 4

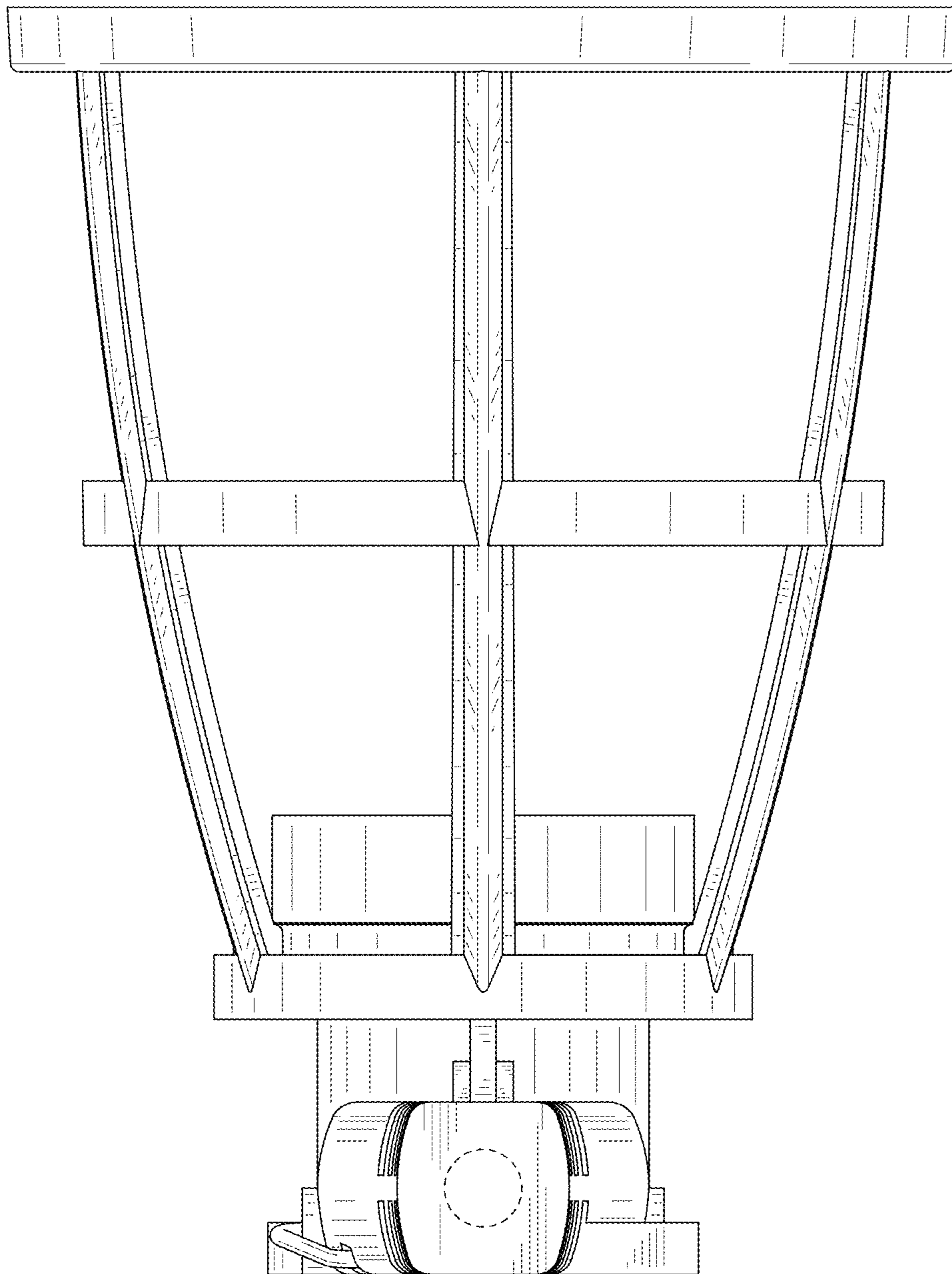


FIG. 5

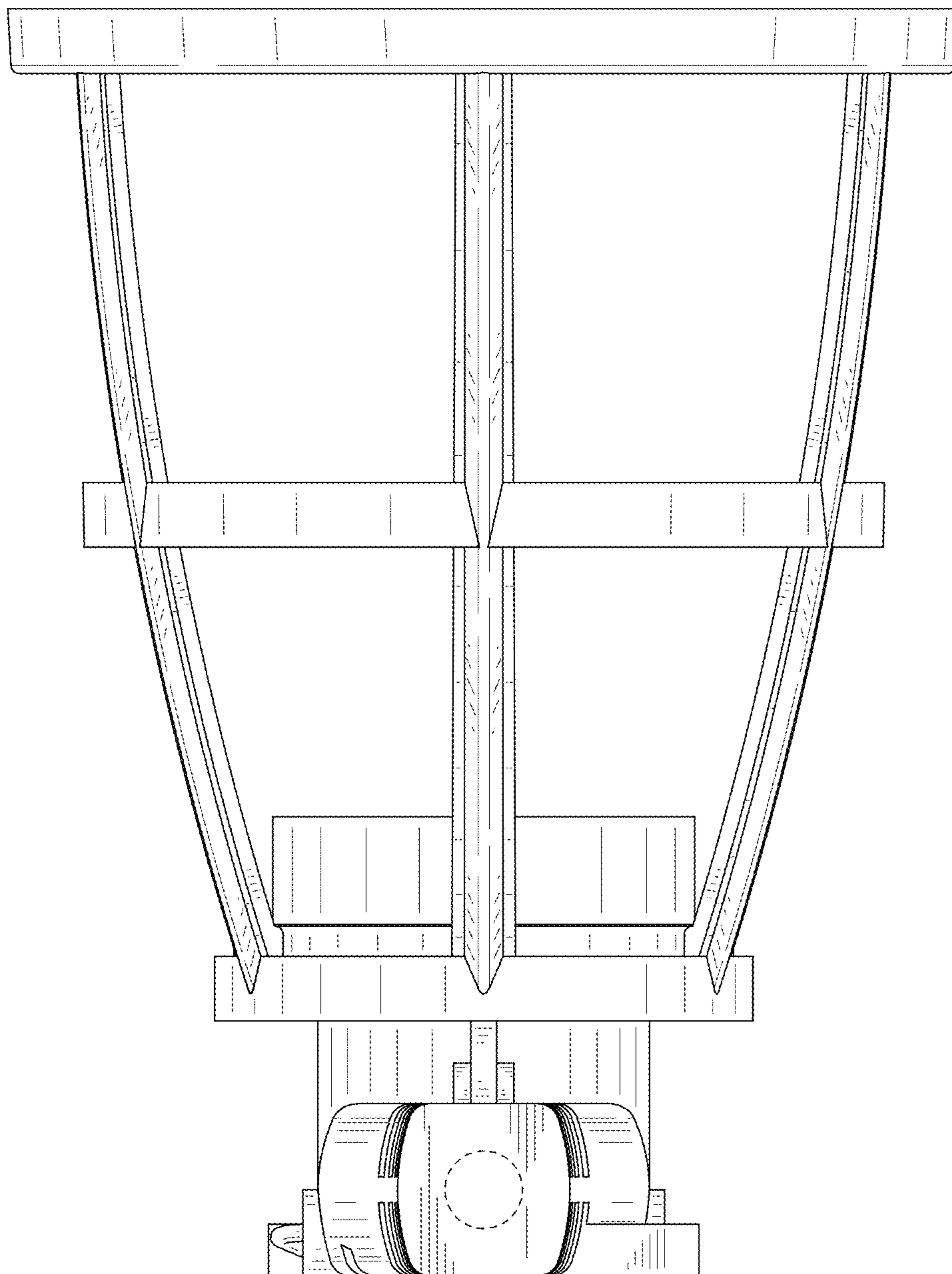


FIG. 6

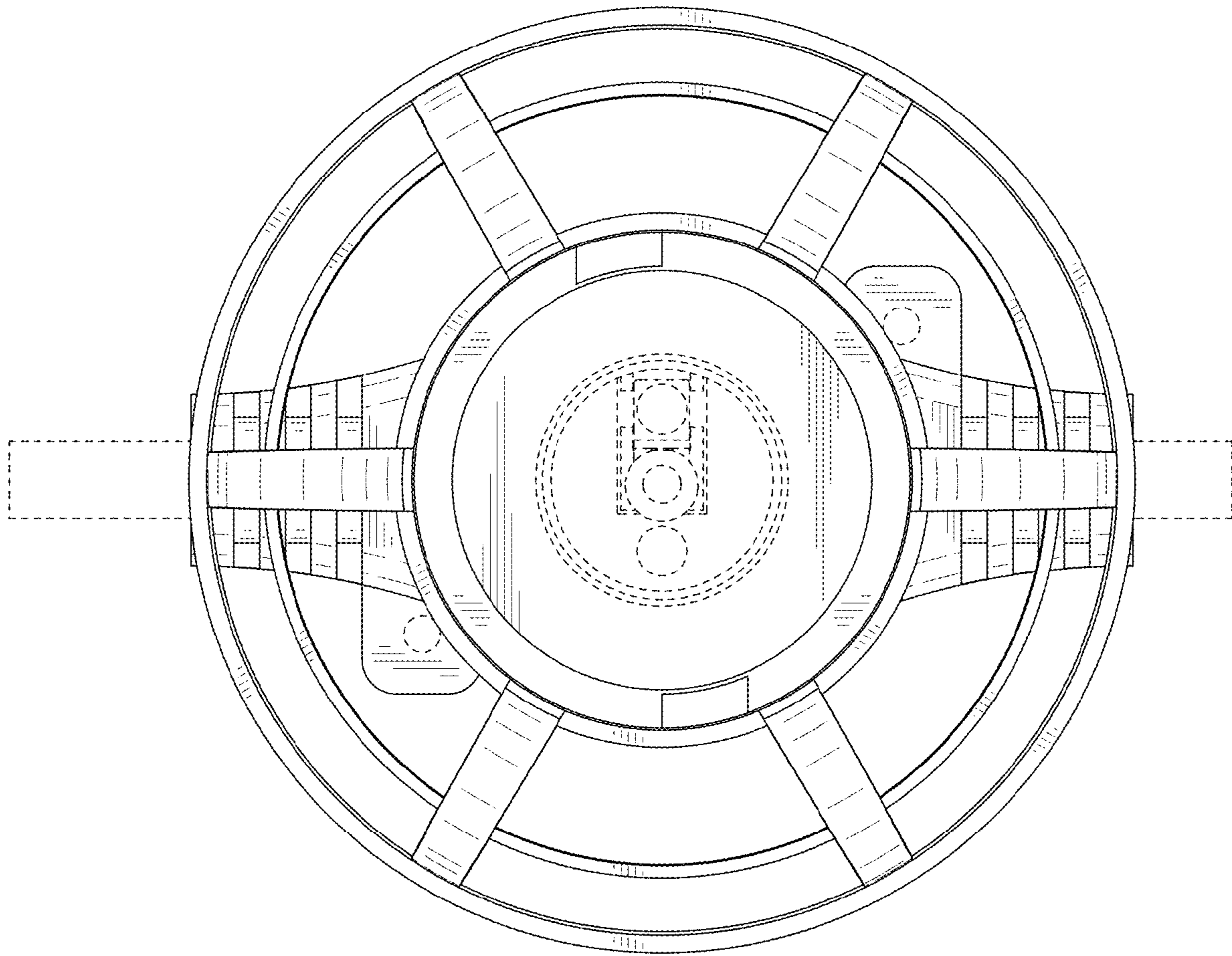


FIG. 7

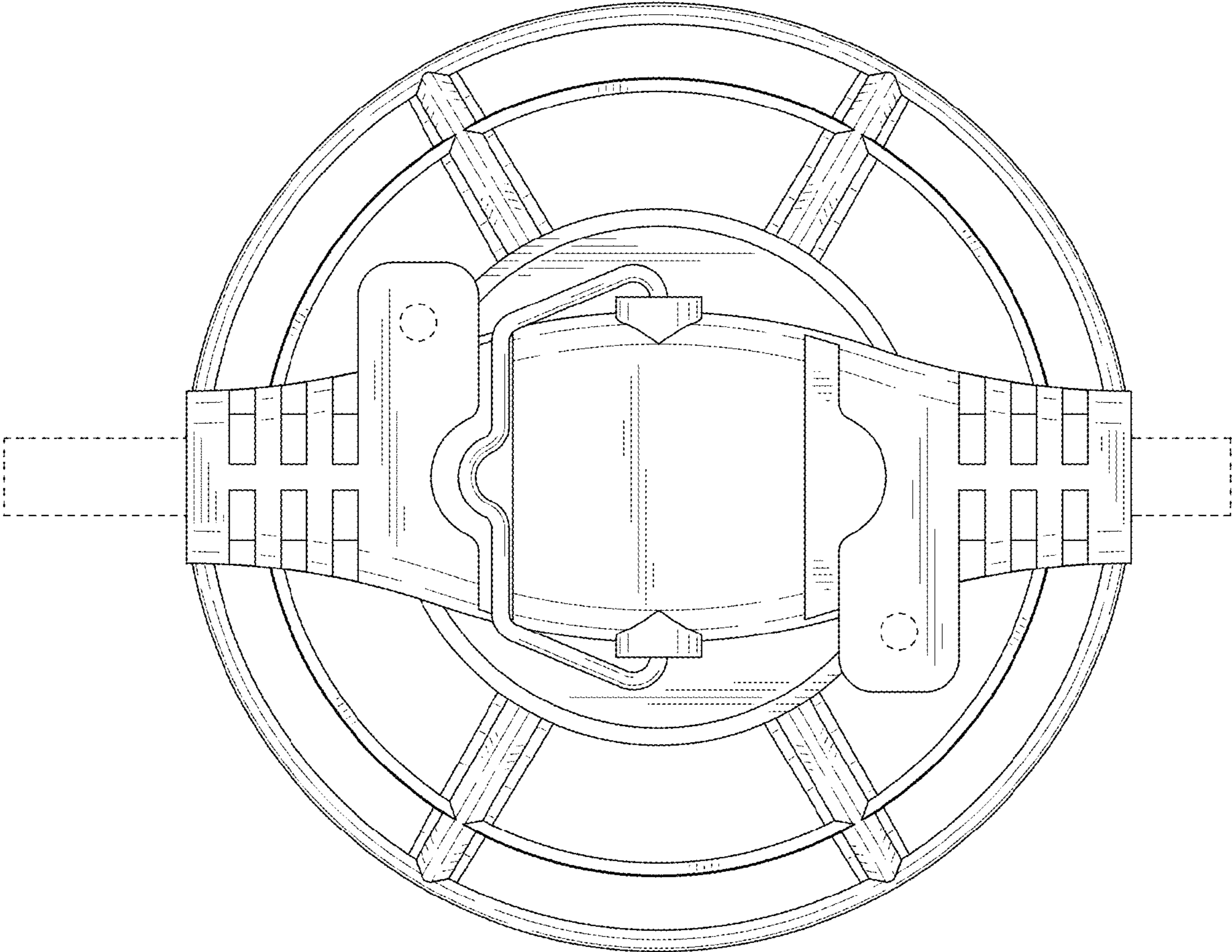


FIG. 8

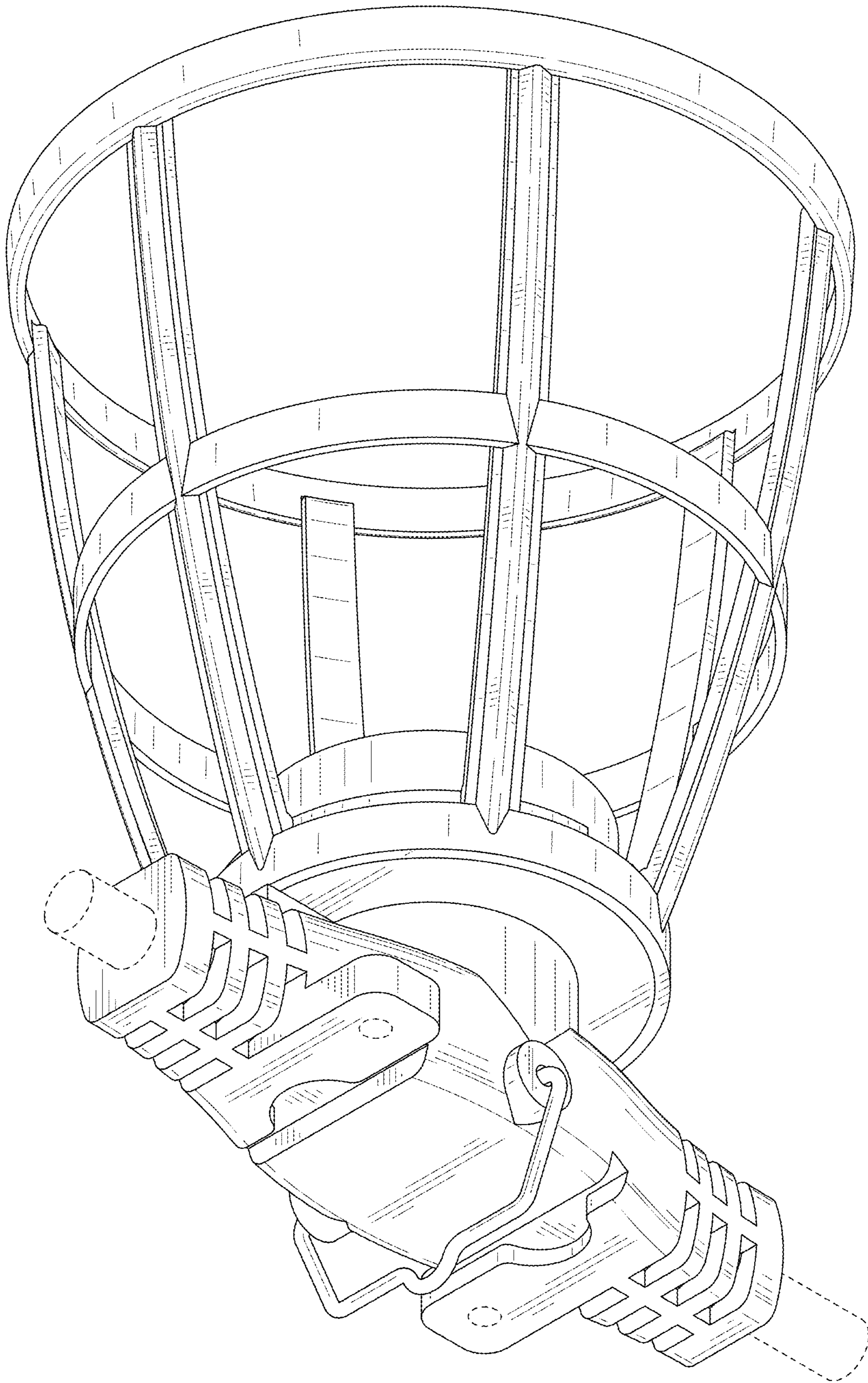


FIG. 9