



US00D978411S

(12) **United States Design Patent** (10) **Patent No.:** **US D978,411 S**
Liu (45) **Date of Patent:** **** Feb. 14, 2023**

(54) **FLOOR LAMP**

FOREIGN PATENT DOCUMENTS

(71) Applicant: **Gaohui Liu**, Qingdao (CN)

CN	306014344	*	8/2020
CN	306483404	*	4/2021
CN	306896560	*	10/2021
KR	300749576.0000	*	6/2014

(72) Inventor: **Gaohui Liu**, Qingdao (CN)

(**) Term: **15 Years**

OTHER PUBLICATIONS

(21) Appl. No.: **29/764,372**

Dimunt LED Floor Lamp, available in <https://www.amazon.com/>, posted: Oct. 15, 2020 [online], [site visited Jul. 13, 2022], Internet URL: https://www.amazon.com/dp/B08L7DD8L9/ref=sbl_dp_x_lighting-floor-lamps_B09DNSGVG4_0?th=1 (Year: 2020).*

(22) Filed: **Dec. 30, 2020**

(Continued)

(51) **LOC (14) Cl.** **26-05**

Primary Examiner — Sheryl Lane
Assistant Examiner — Alex T. Milbrath

(52) **U.S. Cl.**

(57) **CLAIM**

USPC **D26/106**

The ornamental design for a floor lamp, as shown and described.

(58) **Field of Classification Search**

DESCRIPTION

USPC D26/24, 61, 62, 63, 65, 93, 102, 106
CPC F21S 6/00; F21S 6/002; F21S 6/004; F21S 6/005; F21S 6/008; F21S 8/08; F21V 19/0075; F21V 21/02; F21V 21/14; F21W 2131/30

FIG. 1 is a perspective view of a floor lamp showing my new design;
FIG. 2 is another perspective view thereof;
FIG. 3 is a front elevational view thereof;
FIG. 4 is a rear elevational view thereof;
FIG. 5 is a left side elevational view thereof;
FIG. 6 is a right side elevational view thereof;
FIG. 7 is a top plan view thereof;
FIG. 8 is a bottom plan view thereof;
FIG. 9 is an enlarged view of portion 9 shown in FIG. 1;
FIG. 10 is an enlarged view of portion 10 shown in FIG. 1;
FIG. 11 is an enlarged view of portion 11 shown in FIG. 2; and,
FIG. 12 is an enlarged view of portion 12 shown in FIG. 3.
The broken lines are included for the purpose of illustrating portions of the article and form no part of the claimed design.

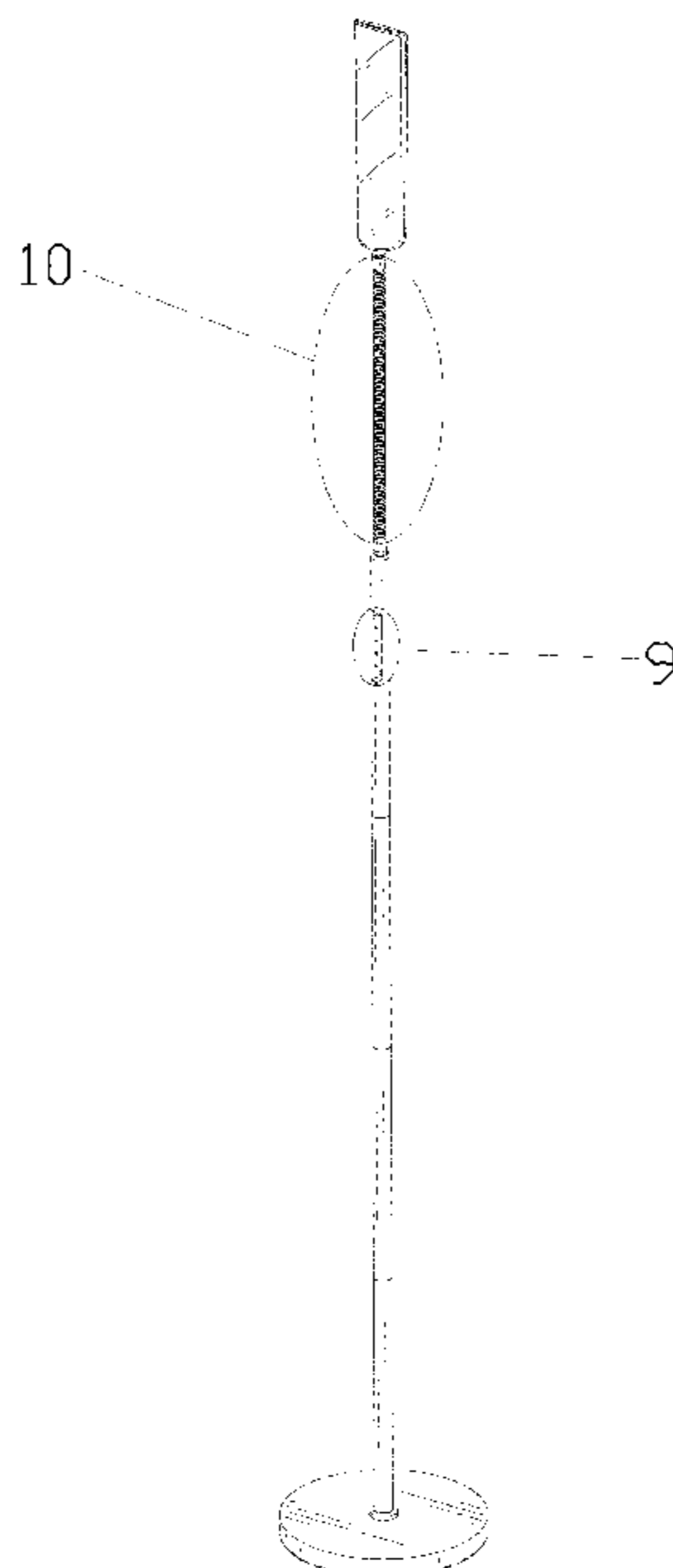
See application file for complete search history.

(56) **References Cited**

1 Claim, 12 Drawing Sheets

U.S. PATENT DOCUMENTS

D281,820 S	*	12/1985	Oba	D26/43
D390,990 S	*	2/1998	Yang	D26/62
D539,970 S	*	4/2007	Waldmann	D26/107
D773,089 S	*	11/2016	Glass	F21V 21/32
					D26/62
D776,850 S	*	1/2017	Hodgson	D26/62
D800,953 S	*	10/2017	Zandée	D26/107
D822,266 S	*	7/2018	Jiang	D26/107
D822,267 S	*	7/2018	Yao	D26/107
D822,880 S	*	7/2018	Hodgson	D26/108



(56)

References Cited

OTHER PUBLICATIONS

Nxone Led Floor Lamp, available in <https://www.amazon.com/>, posted: Sep. 22, 2020 [online], [site visited Jul. 13, 2022], Internet URL: https://www.amazon.com/dp/B08JQDJJ5N/ref=sspa_dk_detail_0?pd_rd_i=B08JQDJJ5N&pd_rd_w=RnWSy&content-id=amzn1.sym.210c08c1-44f7-%E2%80%A6/13 (Year: 2020).*

Syrinx Floor Lamp, available in <https://www.amazon.com/>, posted: Mar. 30, 2018 [online], [site visited Jul. 13, 2022], Internet URL: https://www.amazon.com/dp/B079STZ3BP/ref=sspa_dk_detail_4?pf_rd_p=3481f441-61ac-4028-9c1a-7f9ce8ec50c5&pf_rd_r=RM5GVX9DX871BEP%E2%80%A6 (Year: 2018).*

Tenergy LED Floor Lamp, available in <https://www.amazon.com/>, posted: Apr. 6, 2018 [online], [site visited Jul. 13, 2022], Internet URL: https://www.amazon.com/dp/B07BZDRH5Z/ref=sspa_dk_detail_4?psc=1&pf_rd_p=25e96bbe-93d6-4790-9c18-ab0bc96db737&pf_rd_r=QKVZFAP2%E2%80%A6 (Year: 2018).*

* cited by examiner

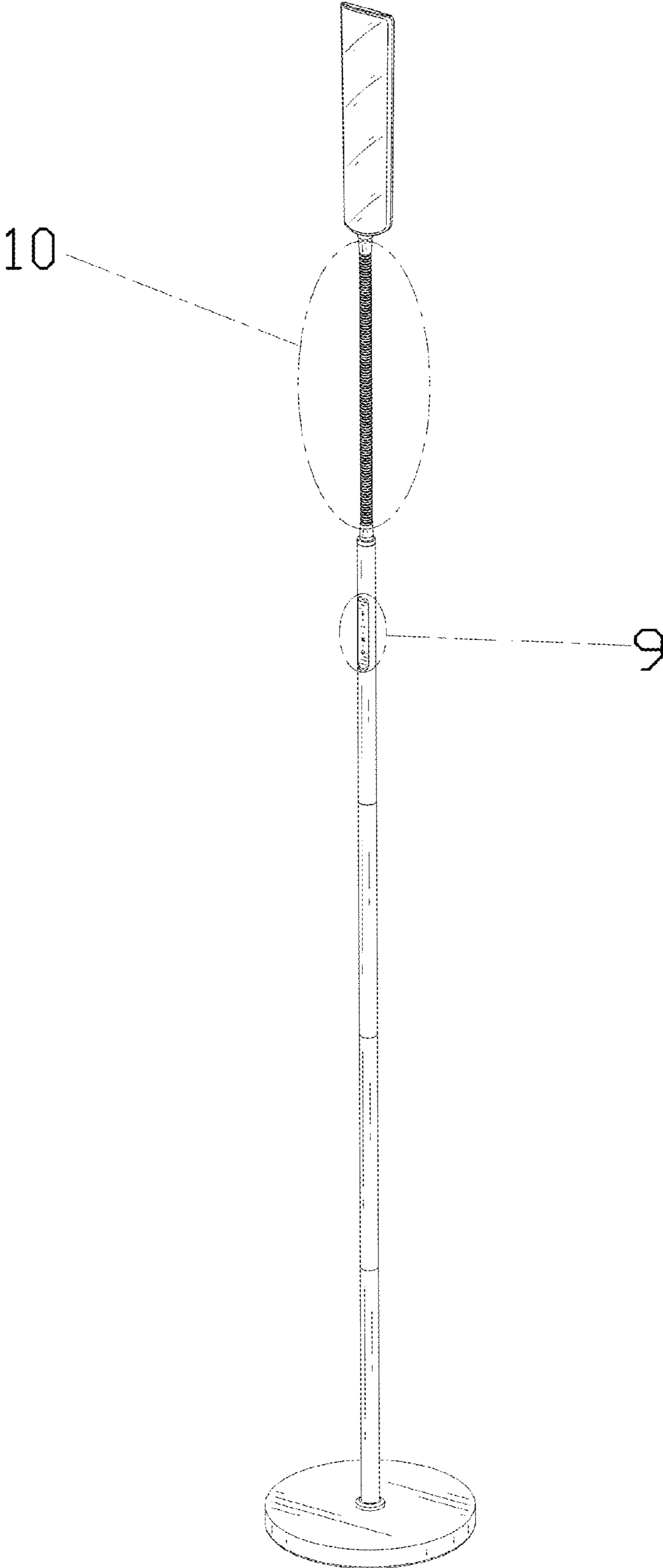


FIG. 1

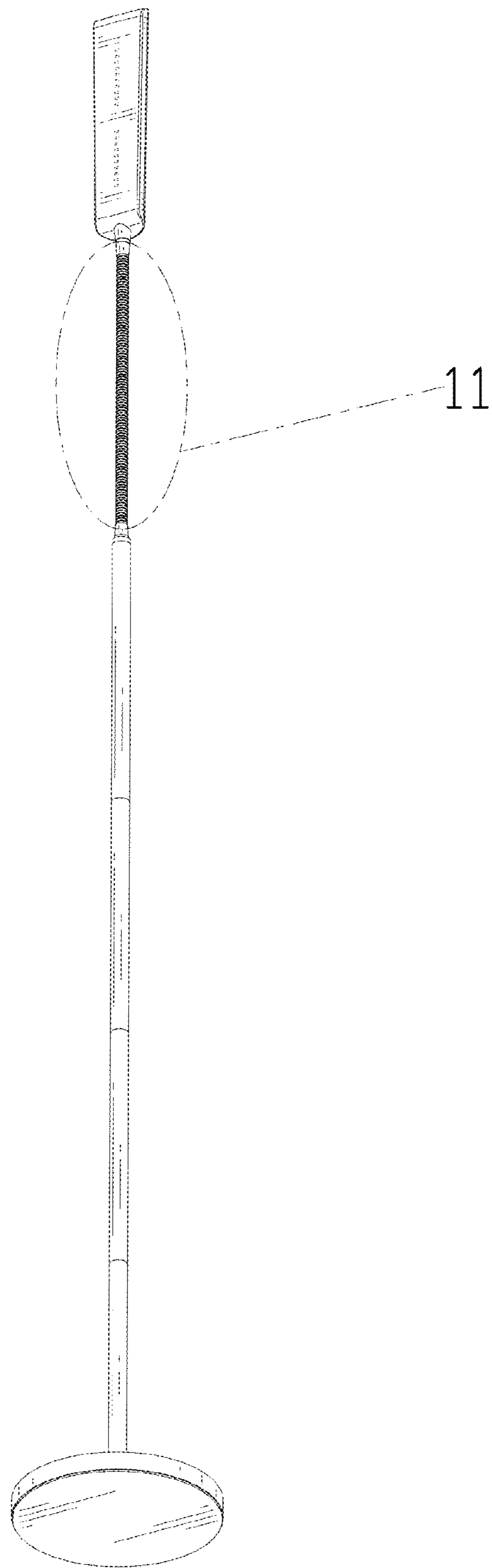


FIG. 2

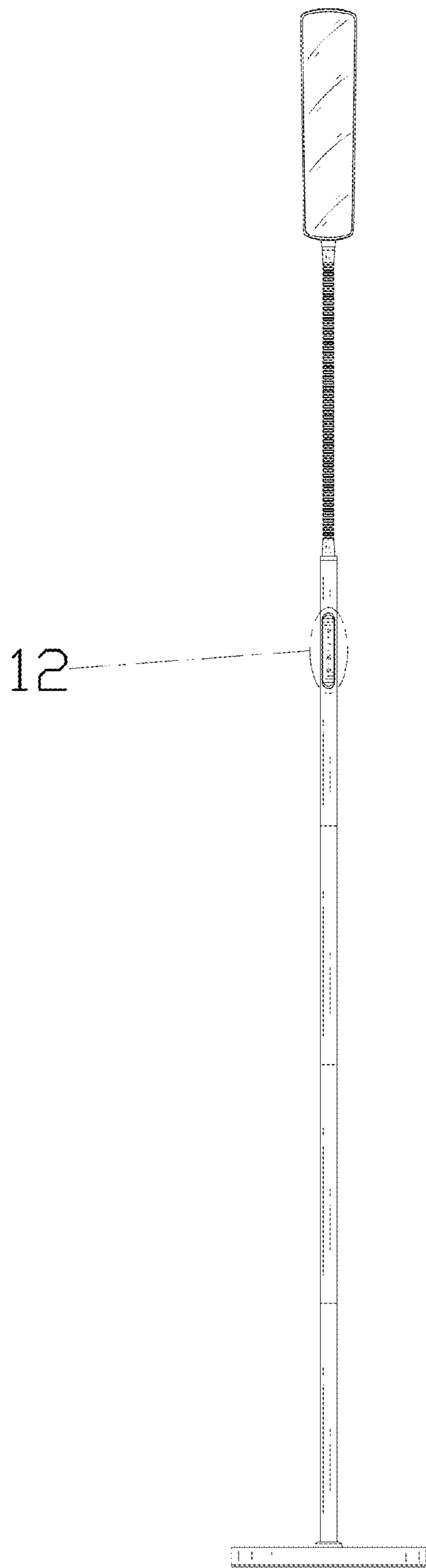


FIG. 3

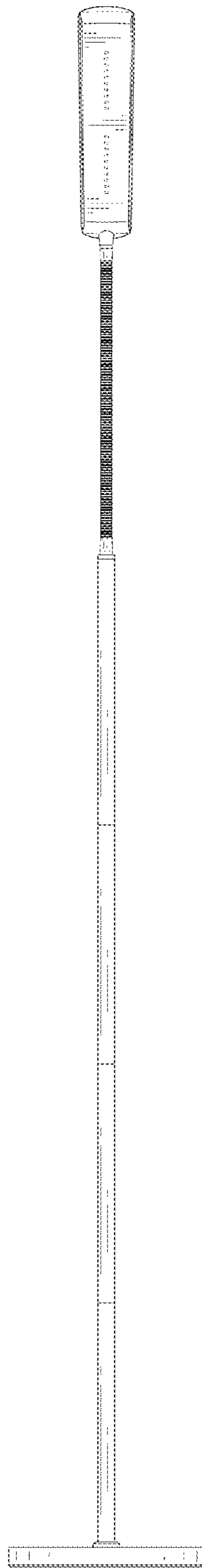


FIG. 4

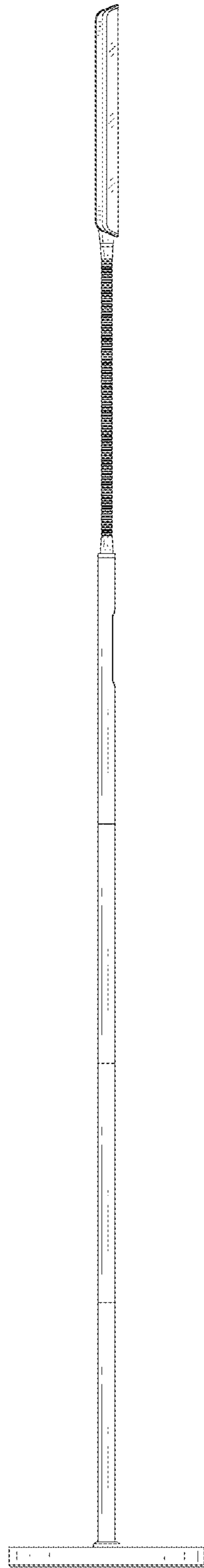


FIG. 5

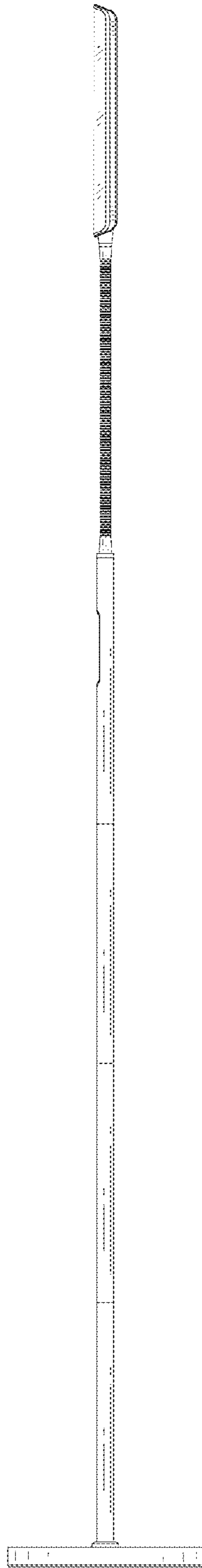


FIG. 6

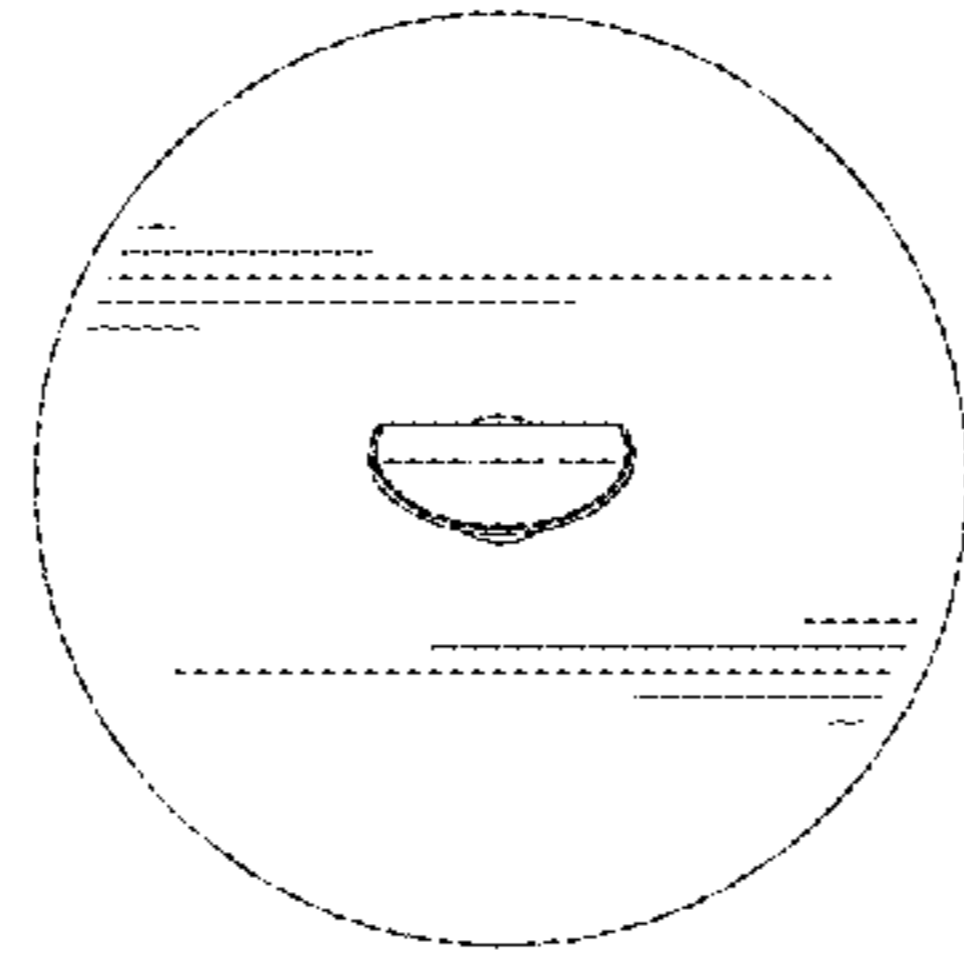


FIG. 7

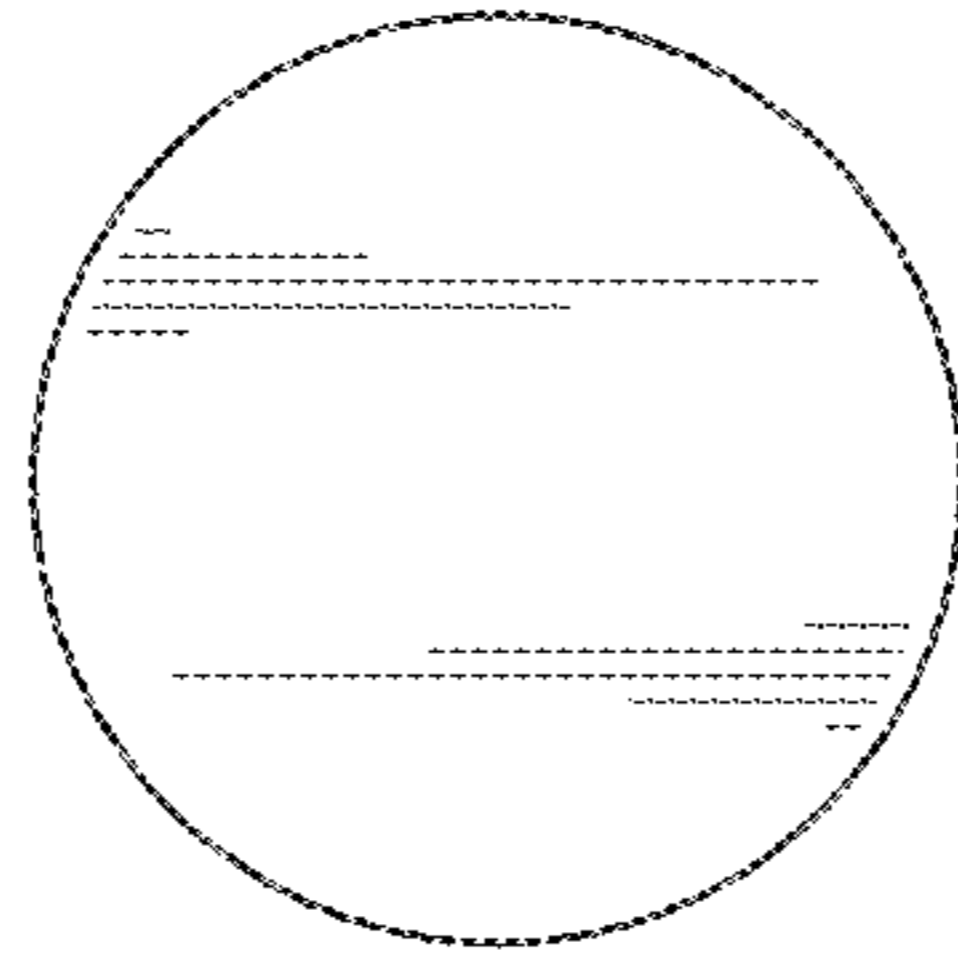


FIG. 8

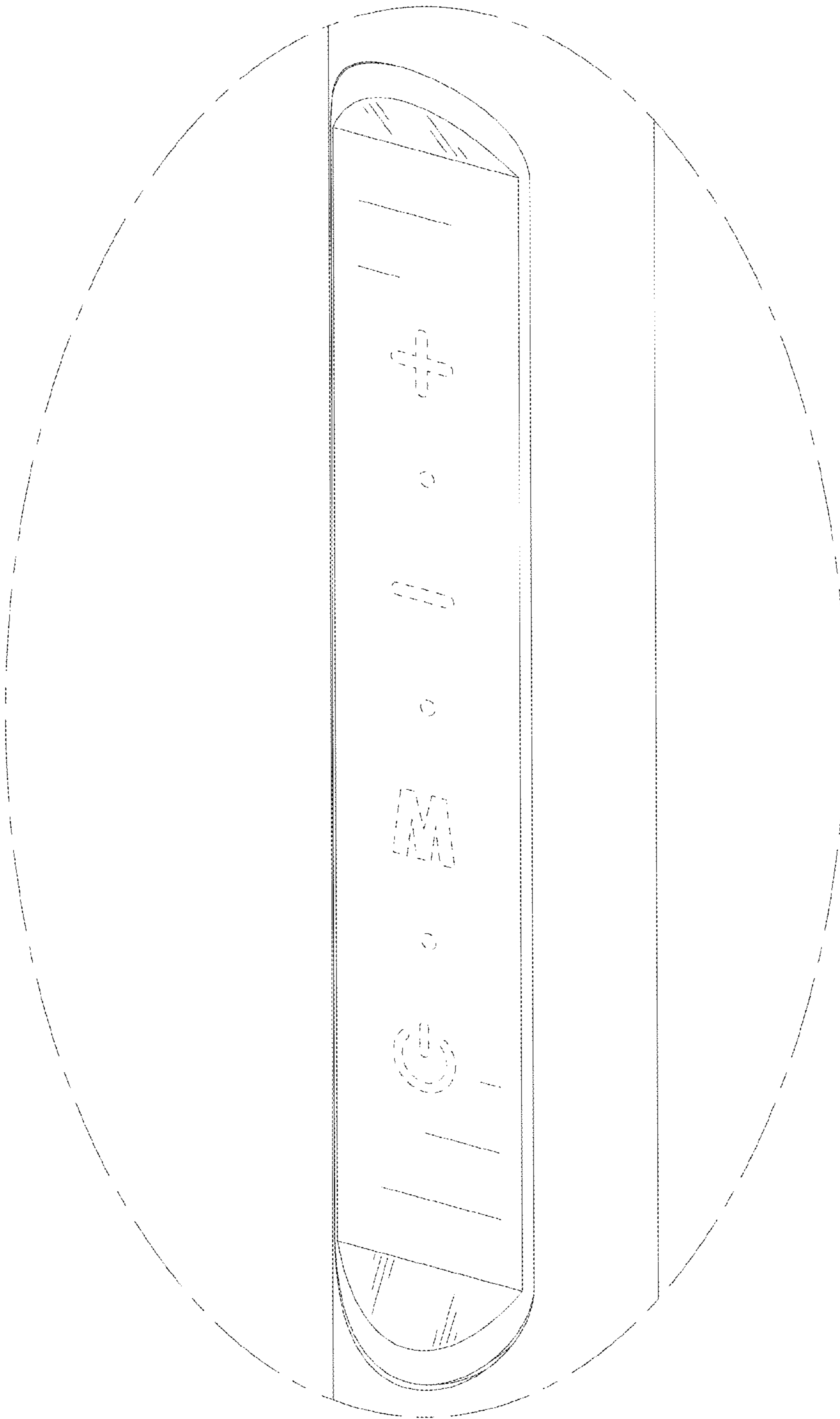


FIG. 9

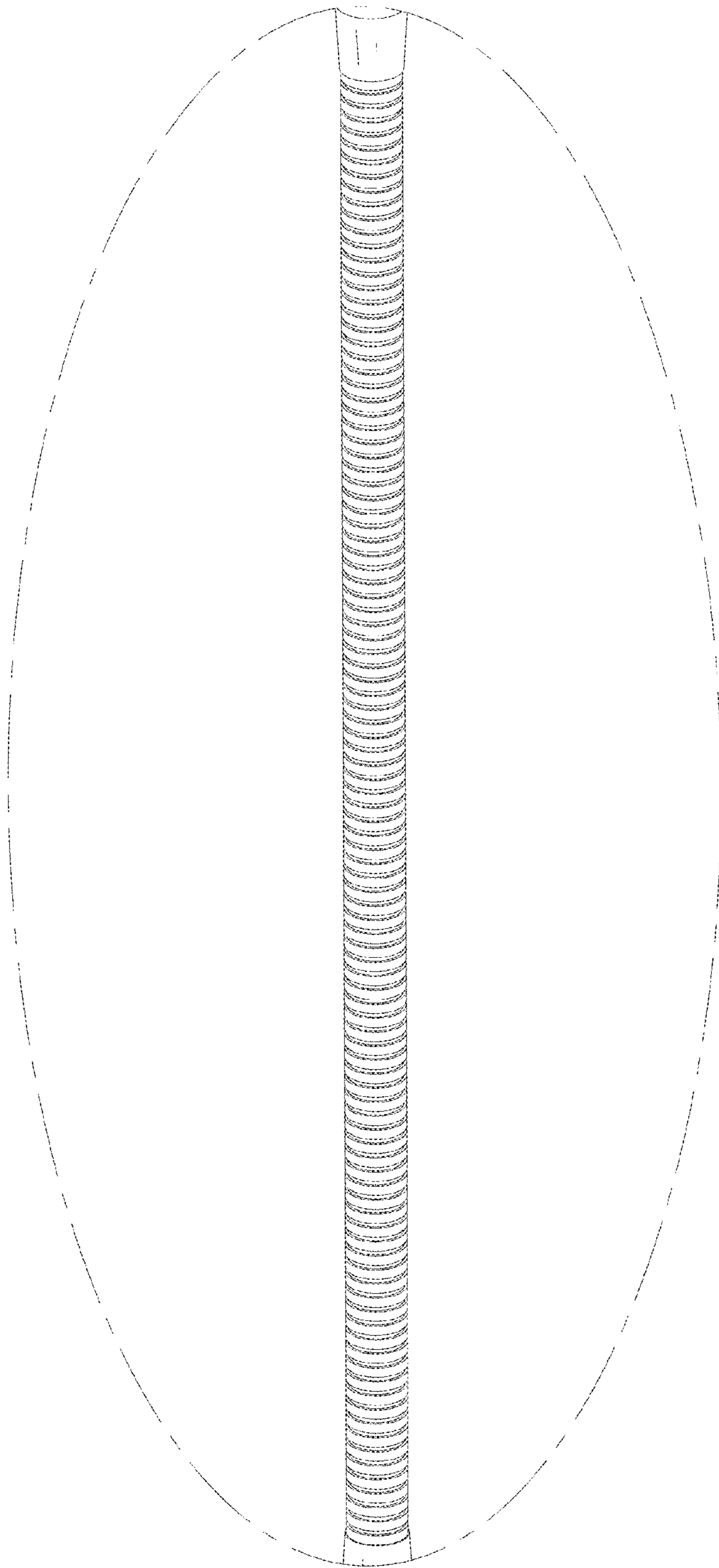


FIG. 10

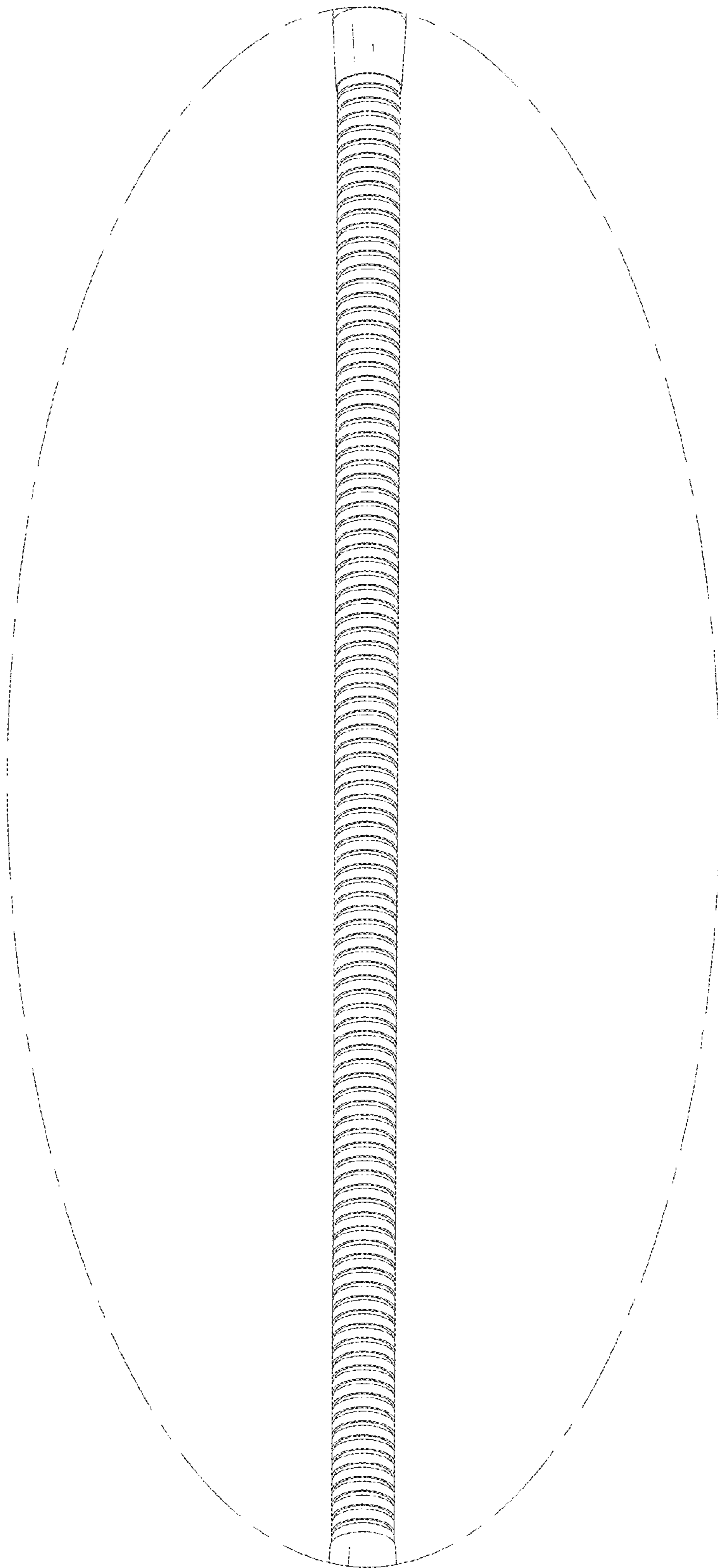


FIG. 11

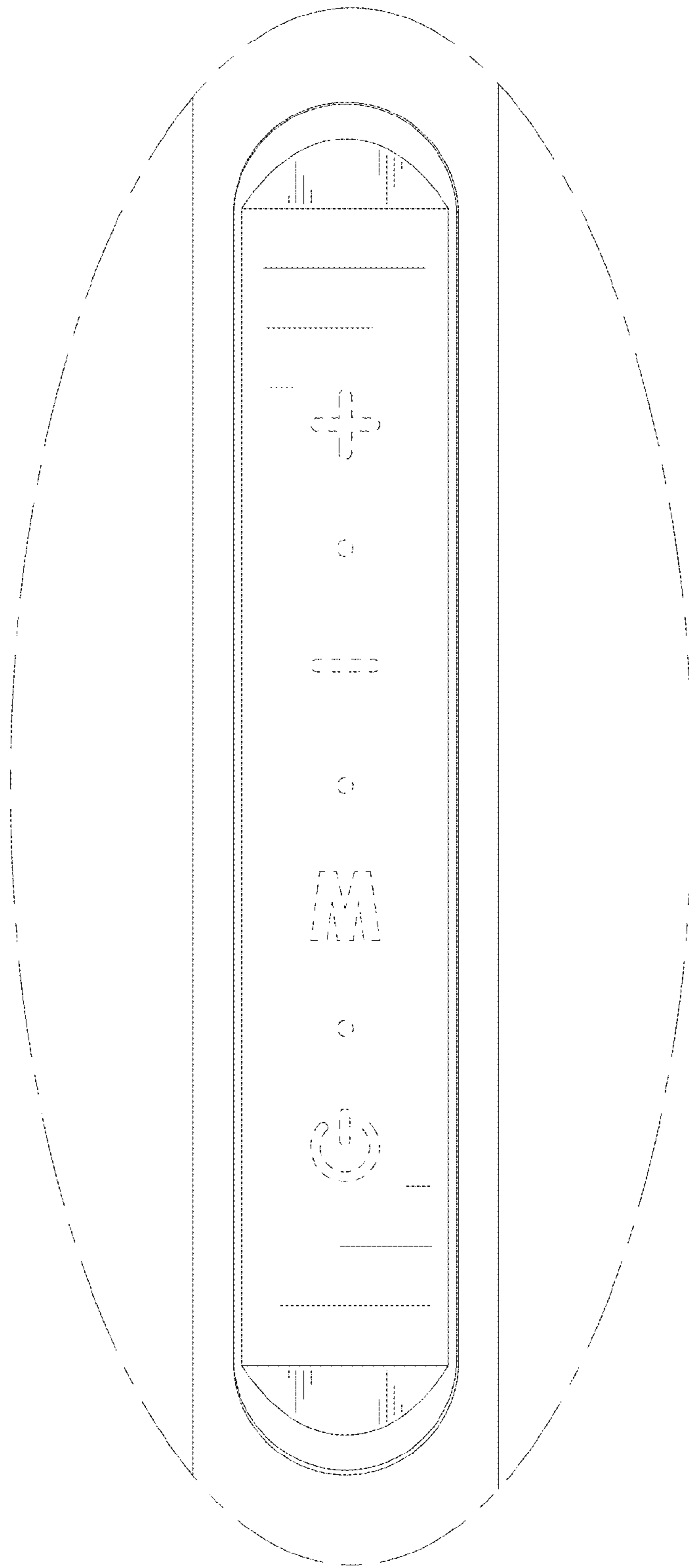


FIG. 12