



US00D978410S

(12) **United States Design Patent** (10) **Patent No.:** **US D978,410 S**  
**Jin** (45) **Date of Patent:** **\*\* Feb. 14, 2023**

(54) **PALM TREE LIGHT**

(71) Applicant: **Xuejun Jin**, Linhai (CN)

(72) Inventor: **Xuejun Jin**, Linhai (CN)

(\*\*) Term: **15 Years**

(21) Appl. No.: **29/843,853**

(22) Filed: **Jun. 24, 2022**

(51) **LOC (14) Cl.** ..... **26-05**

(52) **U.S. Cl.**  
USPC ..... **D26/101**; D11/118

(58) **Field of Classification Search**  
USPC ..... D11/117, 118, 124, 125, 130.1; D20/29,  
D20/34, 41; D21/628, 803, 808, 809;  
D24/195; D26/4, 24, 57, 73, 93, 94, 98,  
D26/99, 101, 103-106, 108, 110, 112,  
D26/118, 125-127, 147, 156  
CPC ... F21S 6/002; F21V 3/02; A41G 1/00; A41G  
1/004; A41G 1/005; A41G 1/007  
See application file for complete search history.

(56) **References Cited**

**U.S. PATENT DOCUMENTS**

2,080,523	A *	5/1937	Williams	.....	A41G 1/007
					D11/118
2,251,705	A *	8/1941	Gonzalez	.....	B44F 9/00
					62/331
D309,639	S *	7/1990	Knudsen	.....	D11/118
D340,003	S *	10/1993	Wright	.....	D11/118
D390,157	S *	2/1998	Burnett	.....	40/406
D401,886	S *	12/1998	Burnett	.....	A41G 1/007
					D11/131
6,286,266	B1 *	9/2001	Popowych	.....	H01Q 1/44
					52/40
D453,231	S	1/2002	Swanson		
D453,232	S	1/2002	Swanson		

(Continued)

**FOREIGN PATENT DOCUMENTS**

CN 3398291 \* 10/2004

**OTHER PUBLICATIONS**

Lighted Palm Tree, available Dec. 2, 2021, retrieved Sep. 14, 2022 from URL: [https://www.amazon.com/Artificial-Coconuts-Tropical-Patricks-Hawaiian/dp/B09MVY44K7/ref=sr\\_1\\_42?crd=1S8RCHMREW8VH&keywords=christmas%2Bpalm%2Btree&qid=1663164225&sprefix=christmas%2Bpalm%2Btree%2Caps%2C151&sr=8-42&th=1](https://www.amazon.com/Artificial-Coconuts-Tropical-Patricks-Hawaiian/dp/B09MVY44K7/ref=sr_1_42?crd=1S8RCHMREW8VH&keywords=christmas%2Bpalm%2Btree&qid=1663164225&sprefix=christmas%2Bpalm%2Btree%2Caps%2C151&sr=8-42&th=1) (Year: 2021).\*

(Continued)

*Primary Examiner* — Richard Kearney

*Assistant Examiner* — Christina M. Dodson

(74) *Attorney, Agent, or Firm* — Runit Ranjit Kanakia

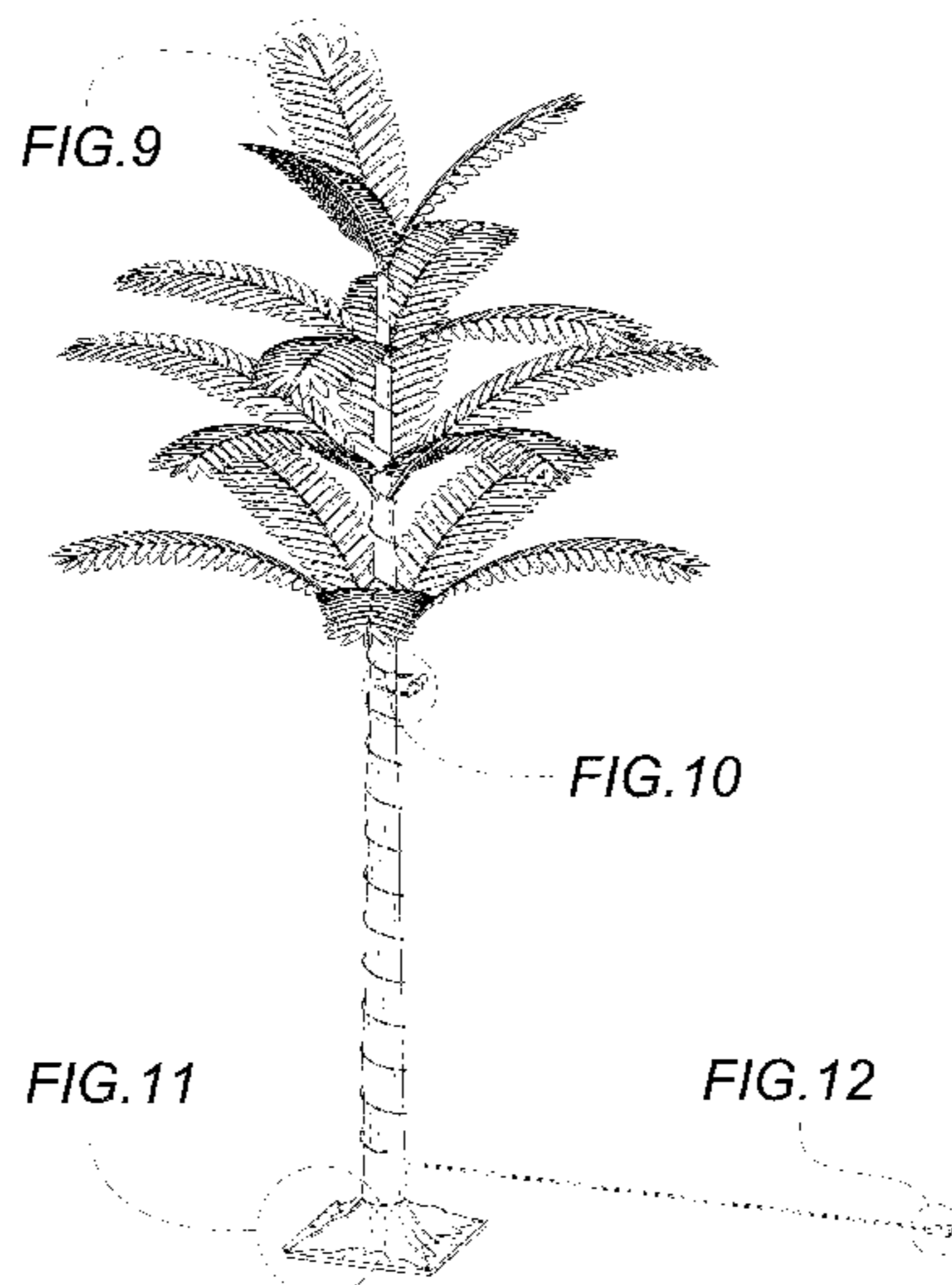
(57) **CLAIM**

The ornamental design for a palm tree light, as shown and described.

**DESCRIPTION**

FIG. 1 is a perspective view of a palm tree light showing my new design;  
FIG. 2 is another perspective view thereof;  
FIG. 3 is a front elevational view thereof;  
FIG. 4 is a rear elevational view thereof;  
FIG. 5 is a left side view thereof;  
FIG. 6 is a right side view thereof;  
FIG. 7 is a top plan view thereof;  
FIG. 8 is a bottom plan view thereof;  
FIG. 9 is a partial enlarged view of FIG. 1;  
FIG. 10 is a partial enlarged view of FIG. 1;  
FIG. 11 is a partial enlarged view of FIG. 1;  
FIG. 12 is a partial enlarged view of FIG. 1;  
FIG. 13 is a partial enlarged view of FIG. 2;  
FIG. 14 is a partial enlarged view of FIG. 2;  
FIG. 15 is a partial enlarged view of FIG. 2;  
FIG. 16 is a partial enlarged view of FIG. 6; and,  
FIG. 17 is a partial enlarged view of FIG. 7.  
The broken lines in the figures are for the purposes of illustrating portions of the palm tree light, which form no part of the claimed design.

**1 Claim, 17 Drawing Sheets**



(56)

**References Cited**

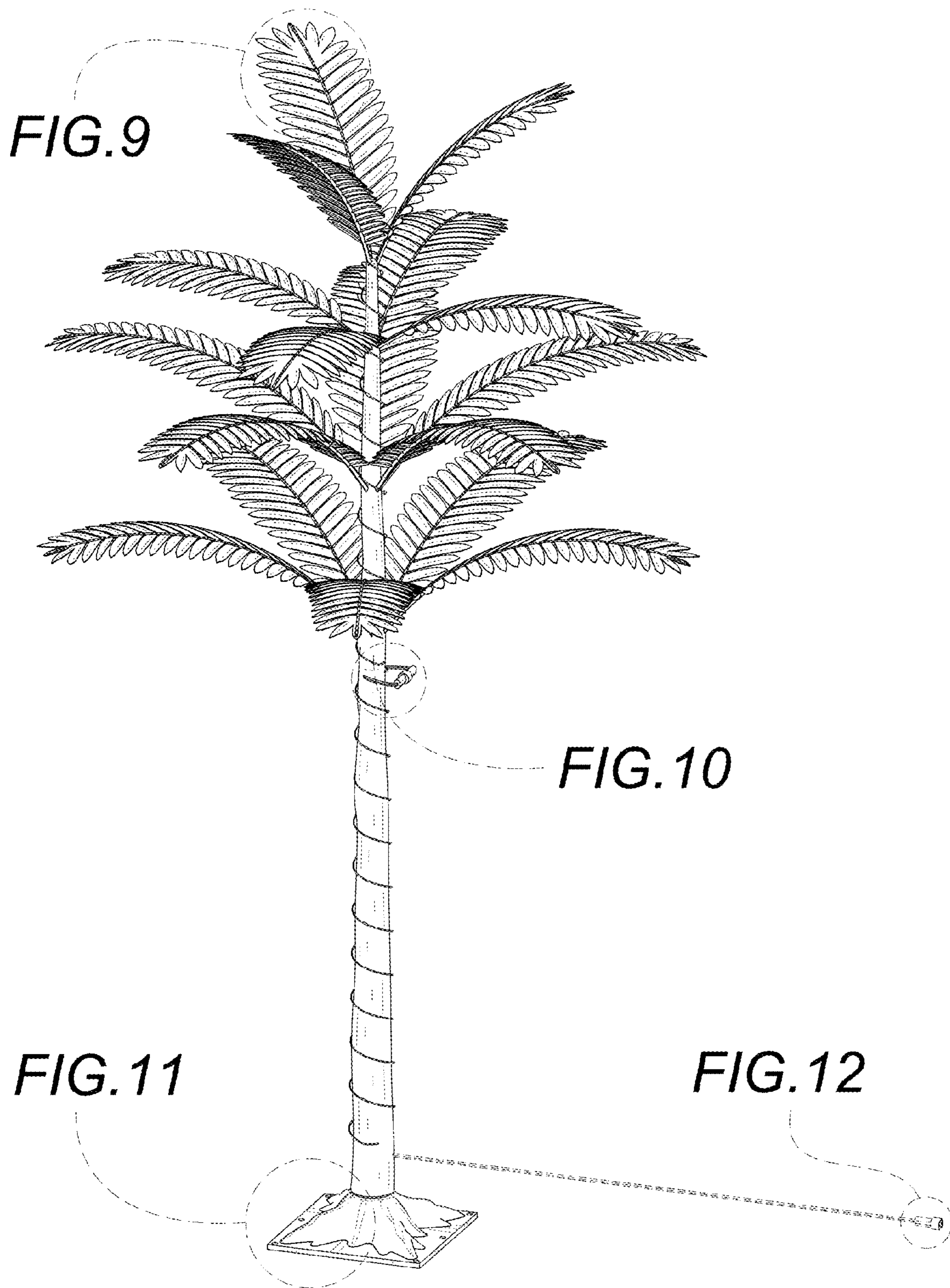
U.S. PATENT DOCUMENTS

D453,582	S	2/2002	Swanson	
D459,016	S	6/2002	Swans	
D463,608	S	9/2002	Lam	
6,596,353	B1 *	7/2003	Turner	..... A41G 1/007 428/17
D540,064	S *	4/2007	Barthelmess	..... D11/118
D549,613	S *	8/2007	Barthelmess	..... D3/6
D564,940	S *	3/2008	Carroll	..... F21S 6/005 D11/157
D569,649	S *	5/2008	Barthelmess	..... D11/118
D616,577	S	5/2010	Gierveld	
8,684,551	B2 *	4/2014	AlSaffar	..... F21S 6/005 362/123
D858,858	S	9/2019	Lian	
10,641,470	B1 *	5/2020	Smyth	..... F21V 21/0816
D900,375	S	10/2020	Lian	
D919,162	S	5/2021	Qu	
D919,873	S	5/2021	Qu	
D935,681	S *	11/2021	Gong	..... D26/81
D962,493	S *	8/2022	Xu	..... F21V 21/0816

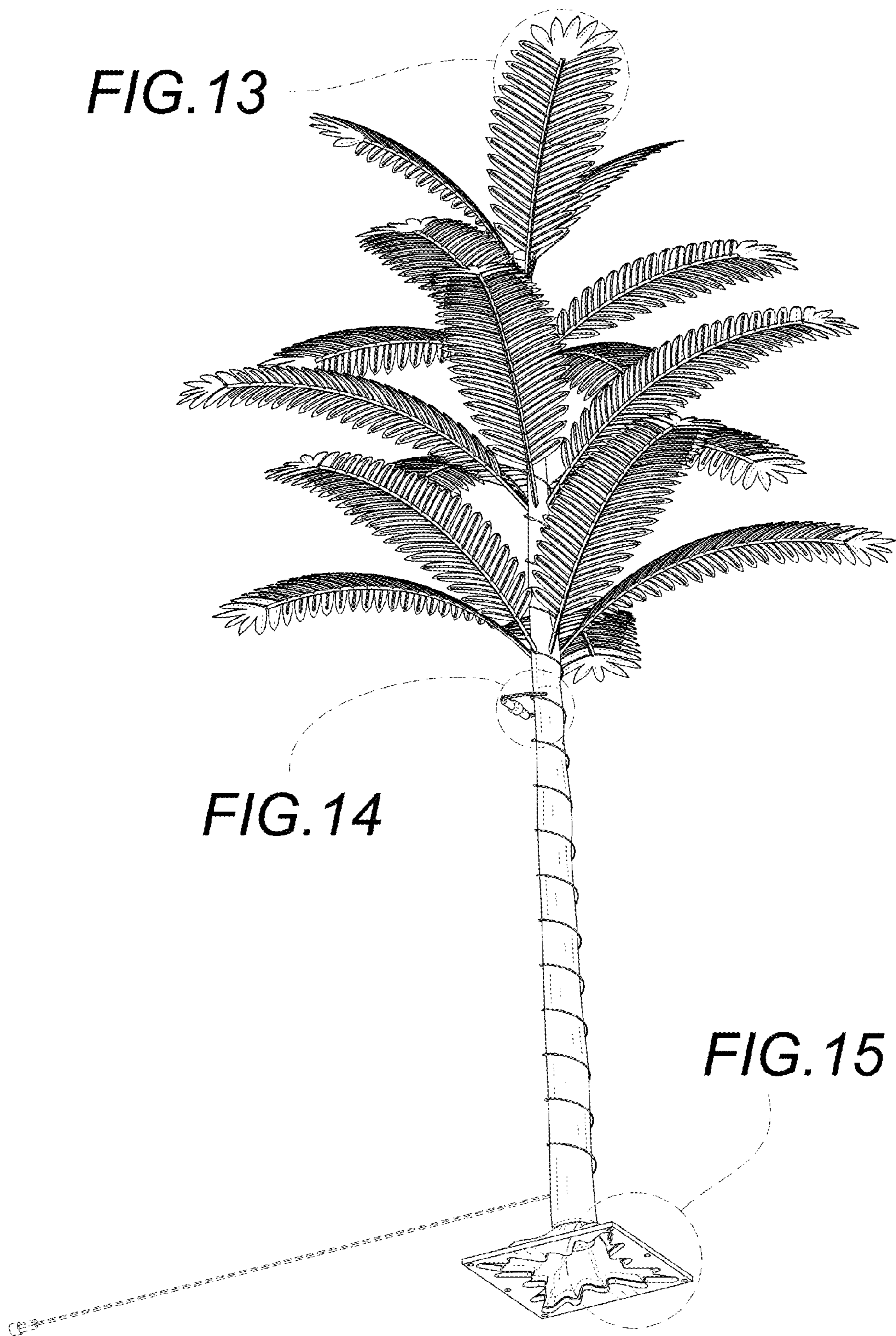
OTHER PUBLICATIONS

Lighted Palm Tree, available Jun. 24, 2022, retrieved Sep. 14, 2022 from URL: [https://www.amazon.com/Lighted-Tropical-Artificial-Hawaiian-Decoration/dp/B0B4YWFVG1/ref=sr\\_1\\_49?crd=1S8RCHMREW8VH&keywords=christmas%2Bpalm%2Btree&qid=1663164225&sprefix=christmas%2Bpalm%2Btree%2Caps%2C151&sr=8-49&th=1](https://www.amazon.com/Lighted-Tropical-Artificial-Hawaiian-Decoration/dp/B0B4YWFVG1/ref=sr_1_49?crd=1S8RCHMREW8VH&keywords=christmas%2Bpalm%2Btree&qid=1663164225&sprefix=christmas%2Bpalm%2Btree%2Caps%2C151&sr=8-49&th=1) (Year: 2022).\*

\* cited by examiner



**FIG. 1**

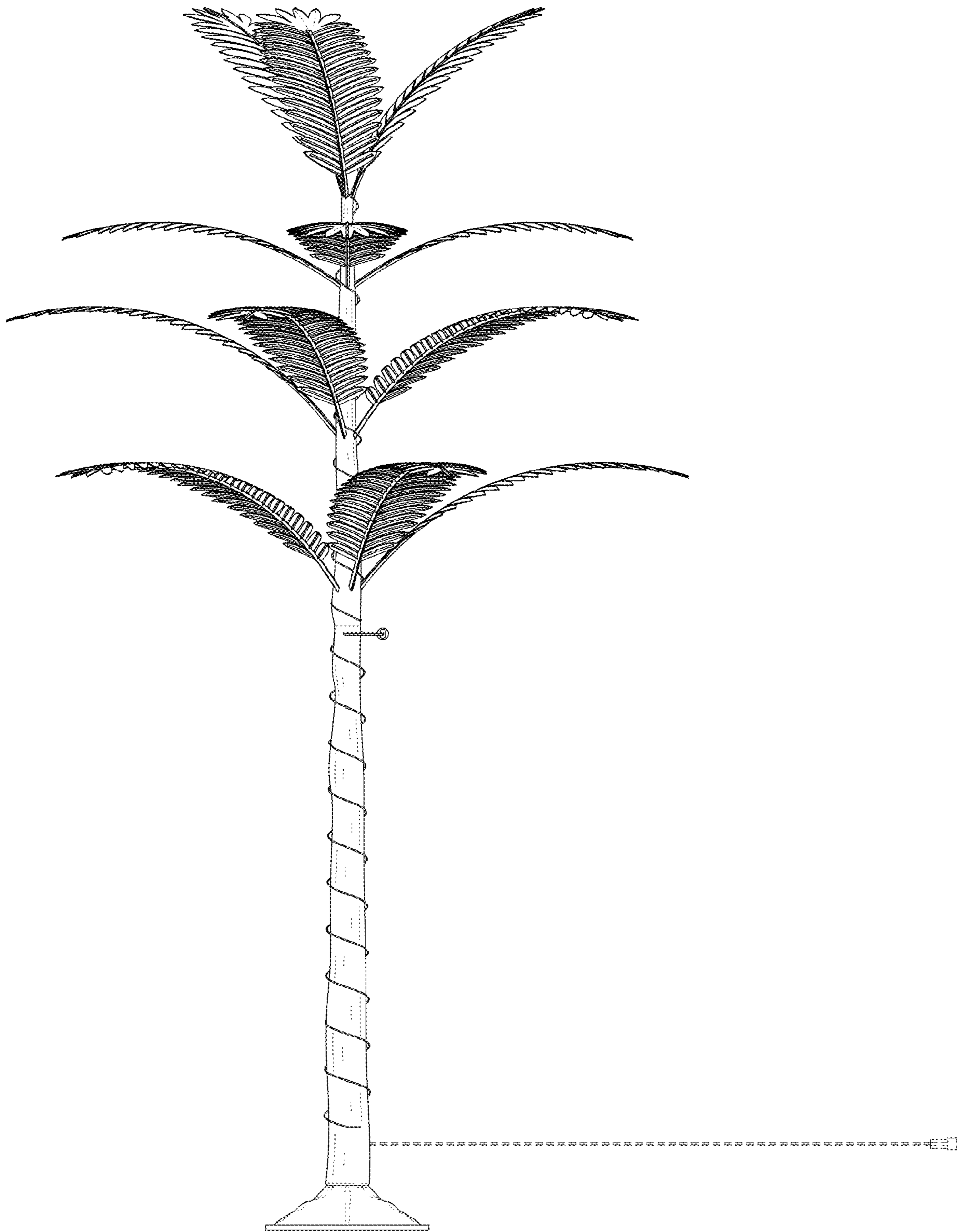


**FIG. 13**

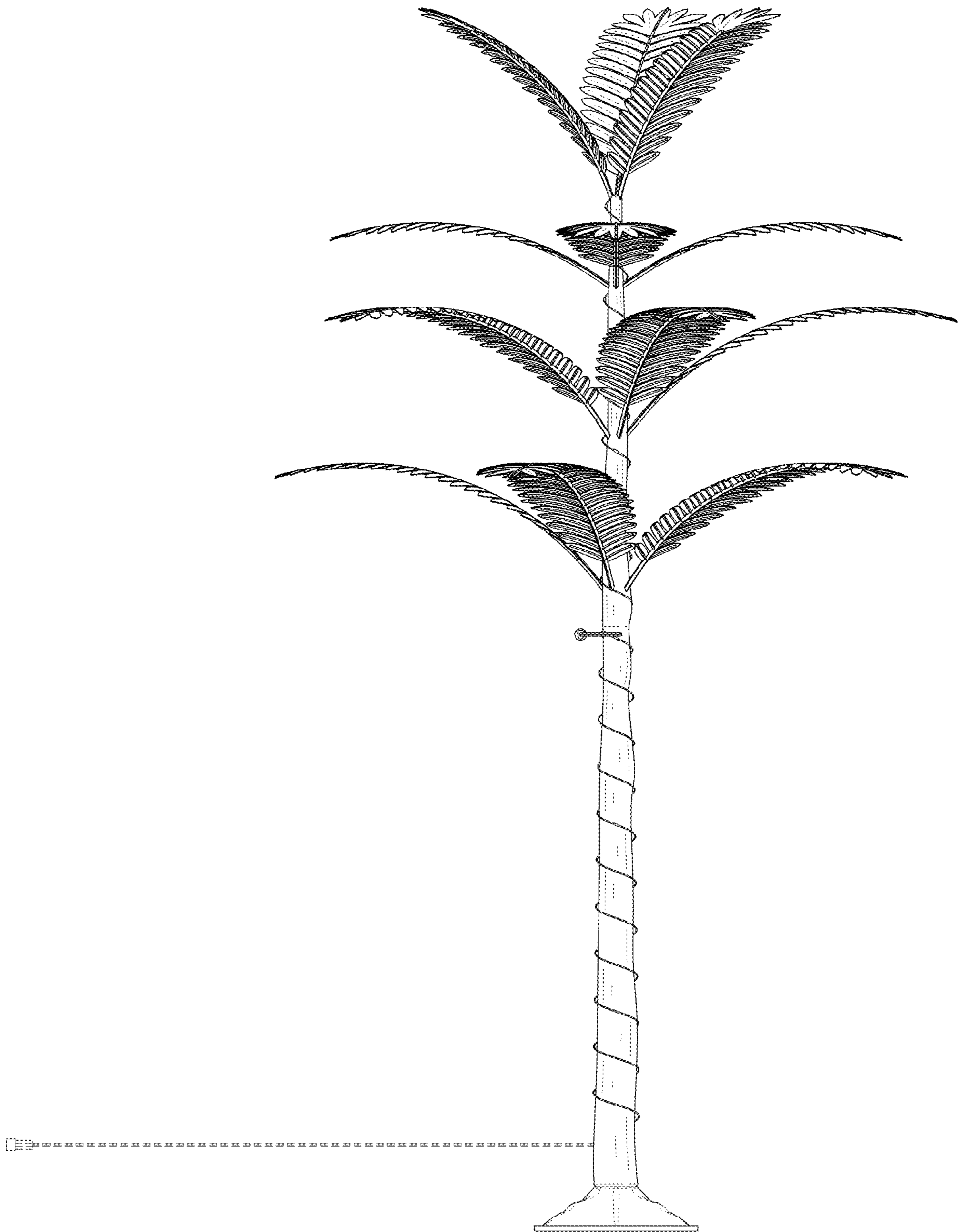
**FIG. 14**

**FIG. 15**

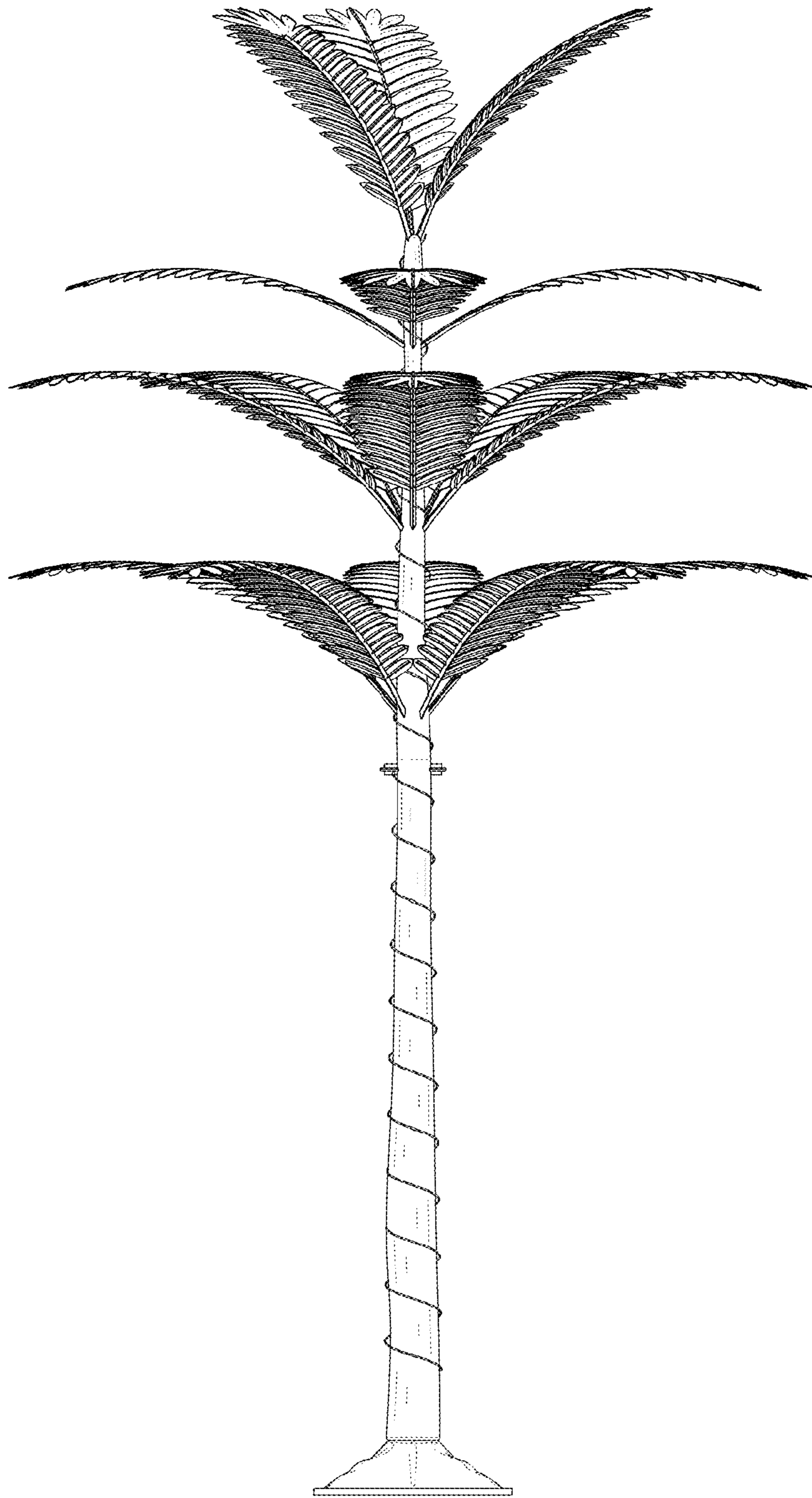
**FIG. 2**



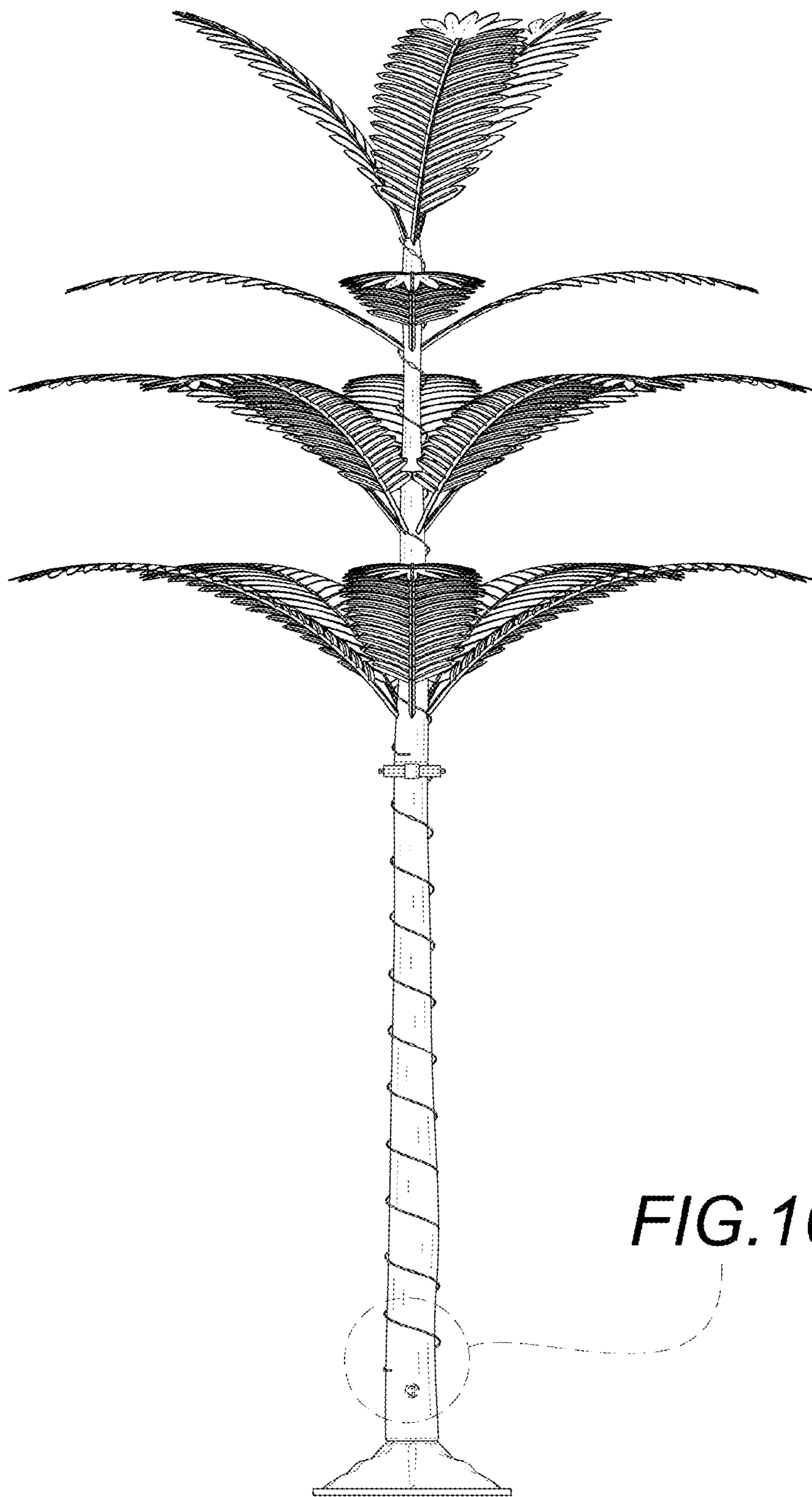
**FIG. 3**



**FIG.4**



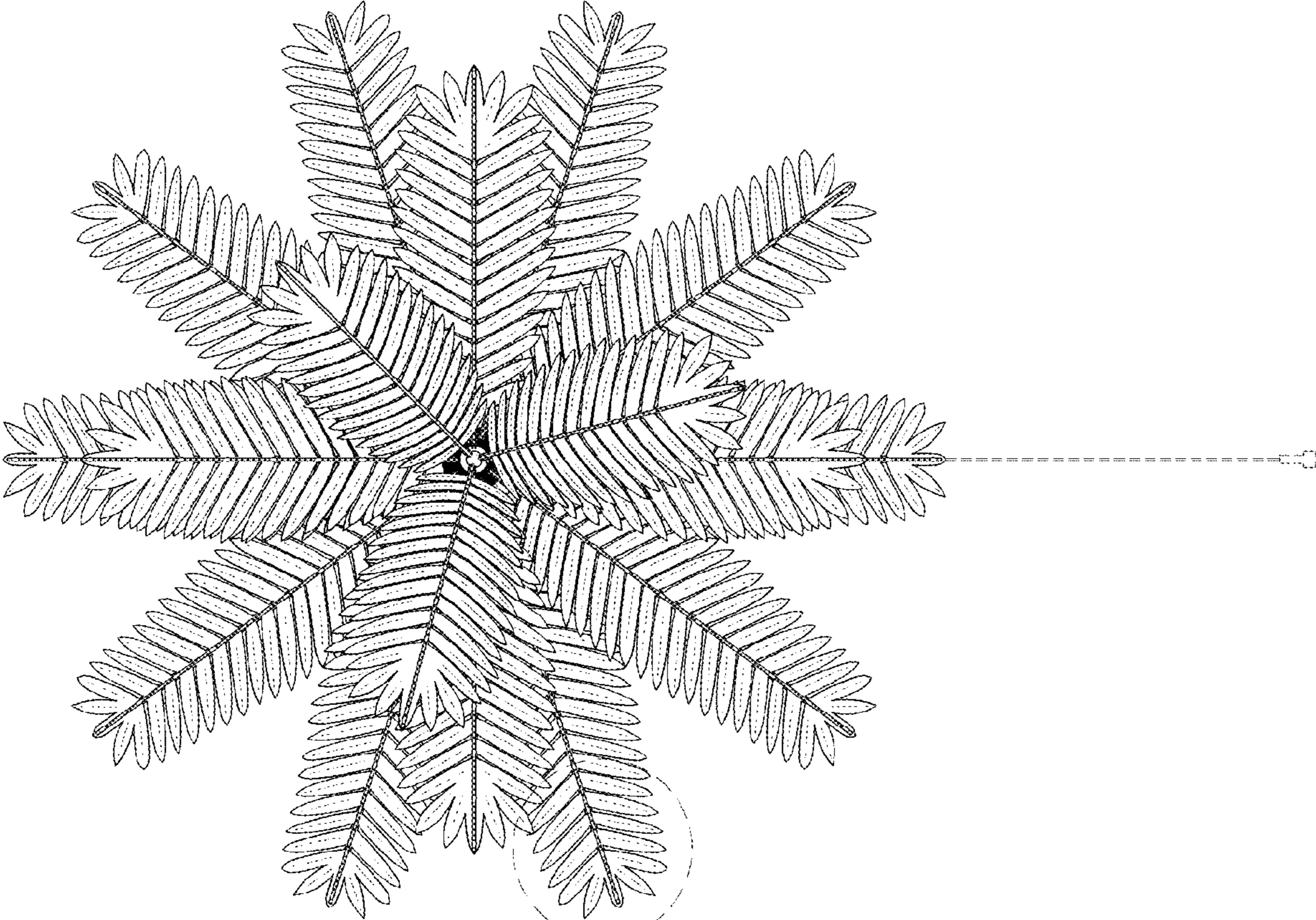
**FIG. 5**



*FIG. 16*

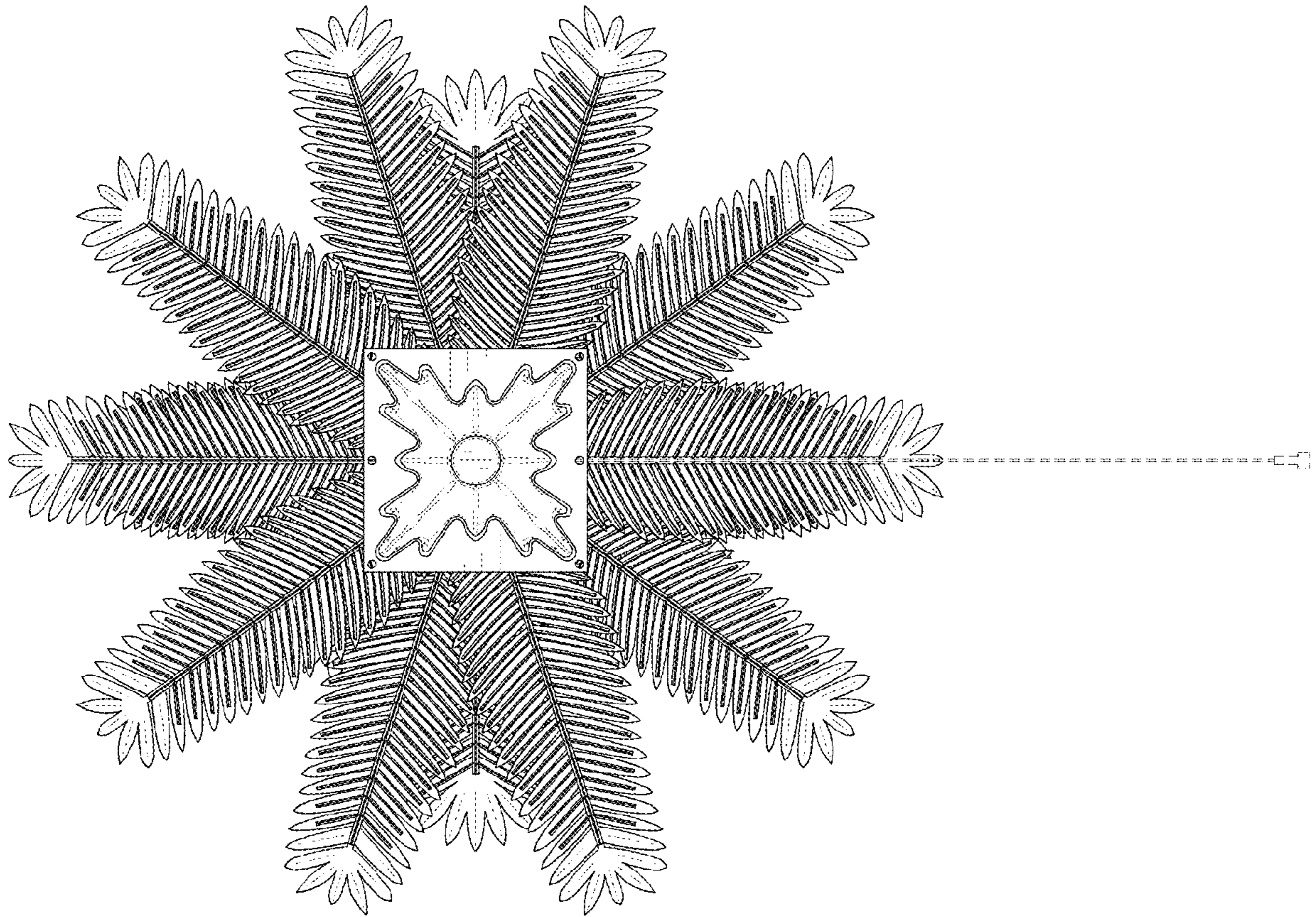
*FIG. 6*





*FIG. 17*

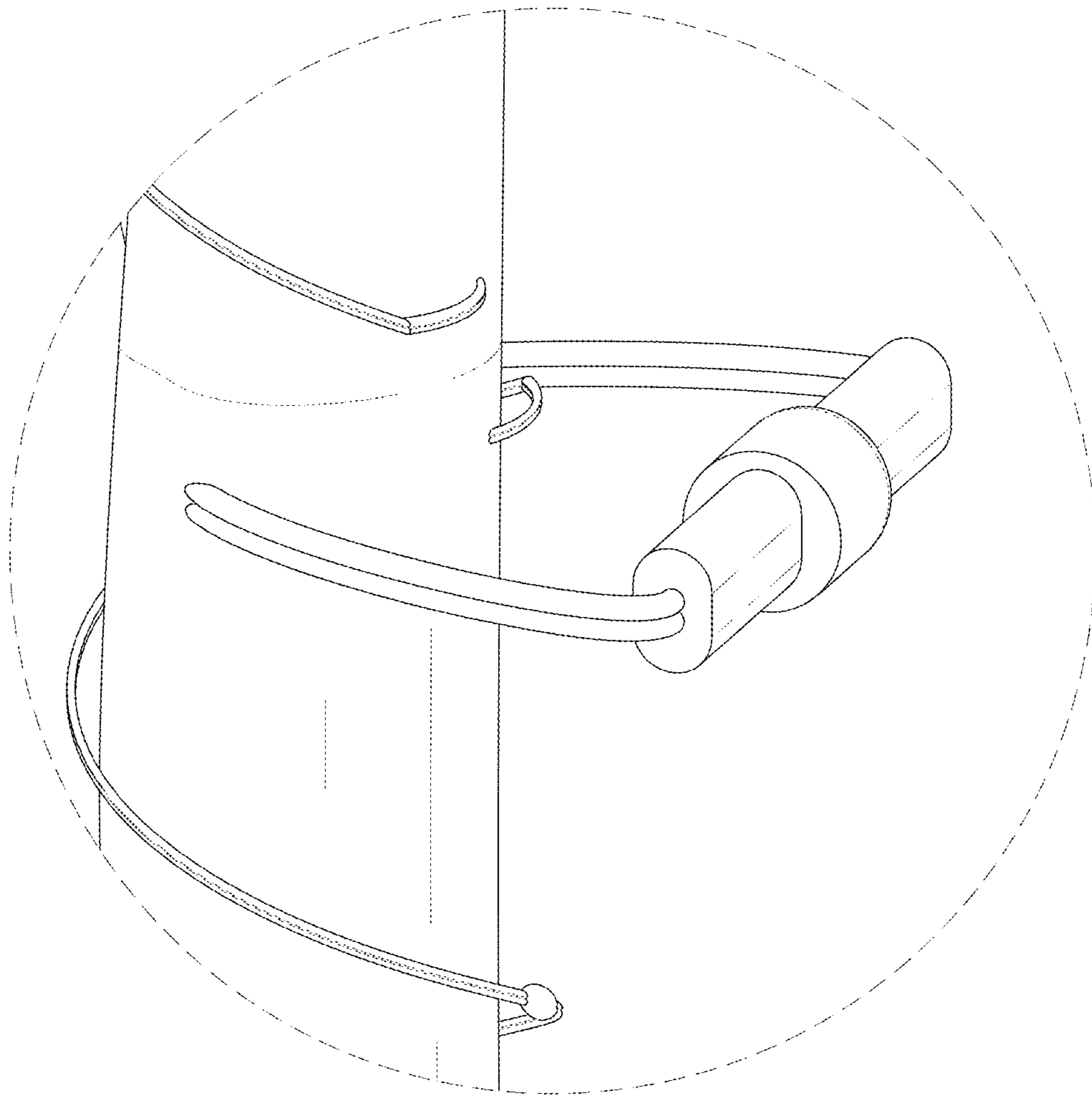
*FIG. 7*



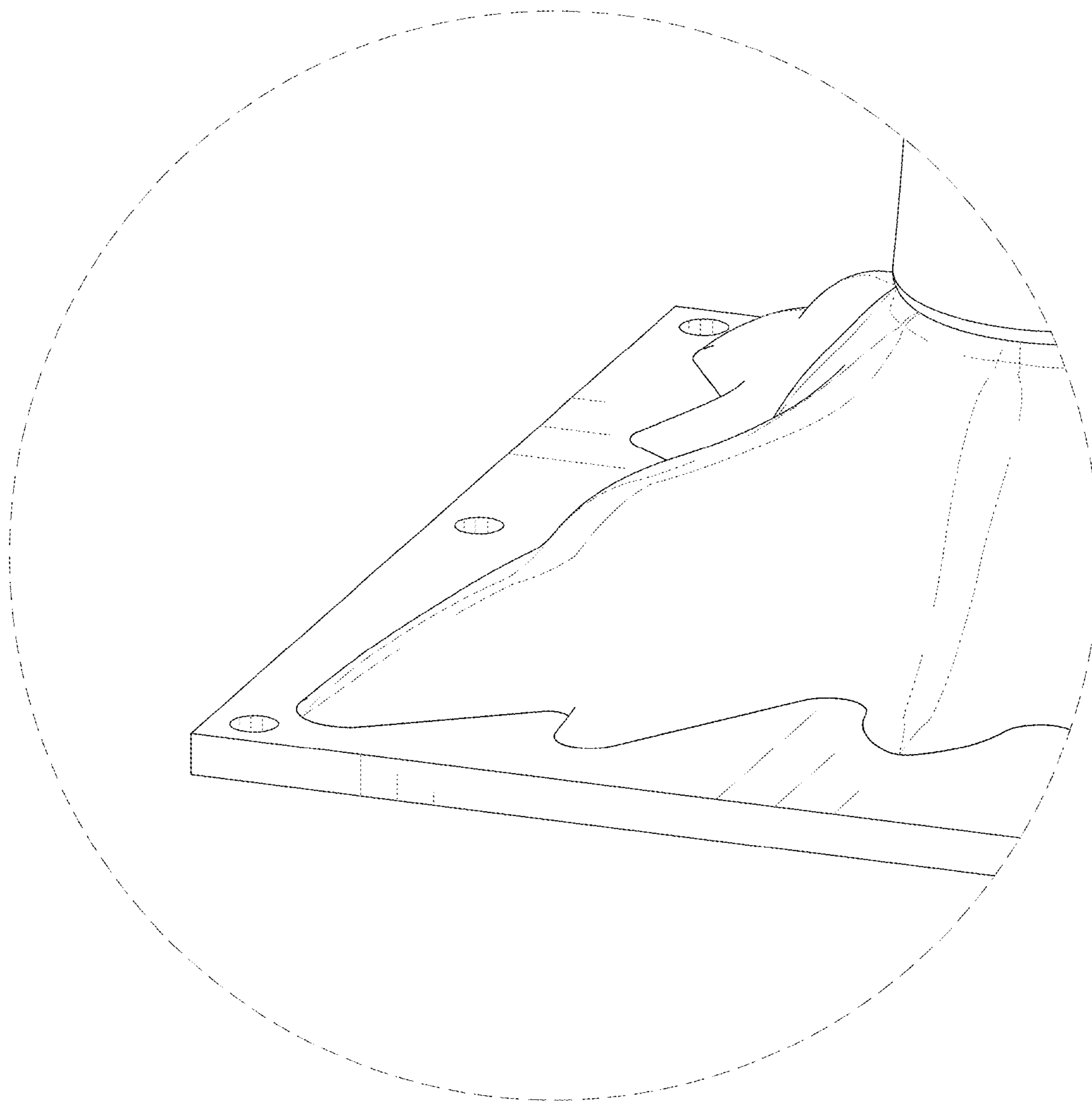
**FIG. 8**



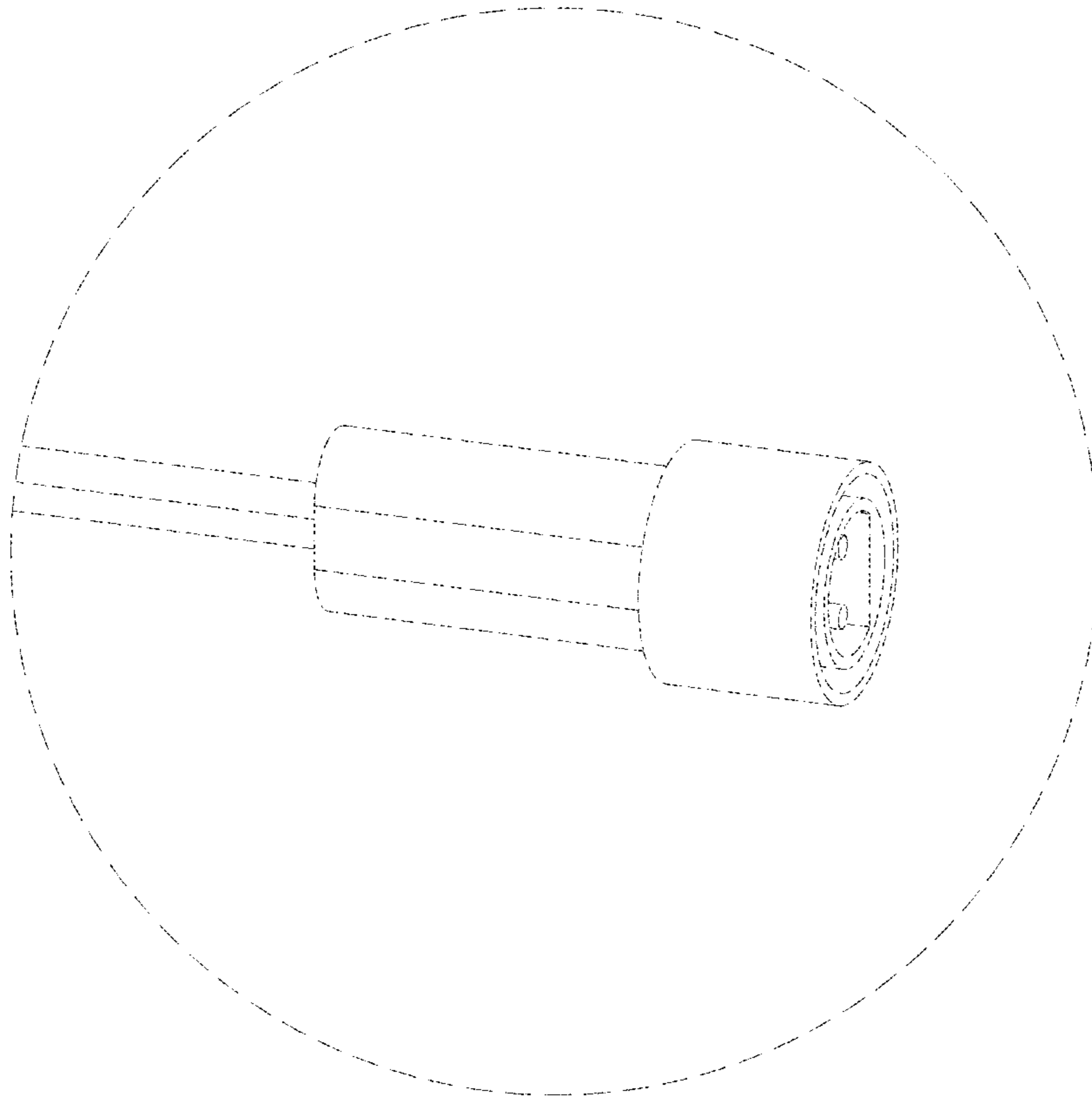
**FIG. 9**



**FIG. 10**



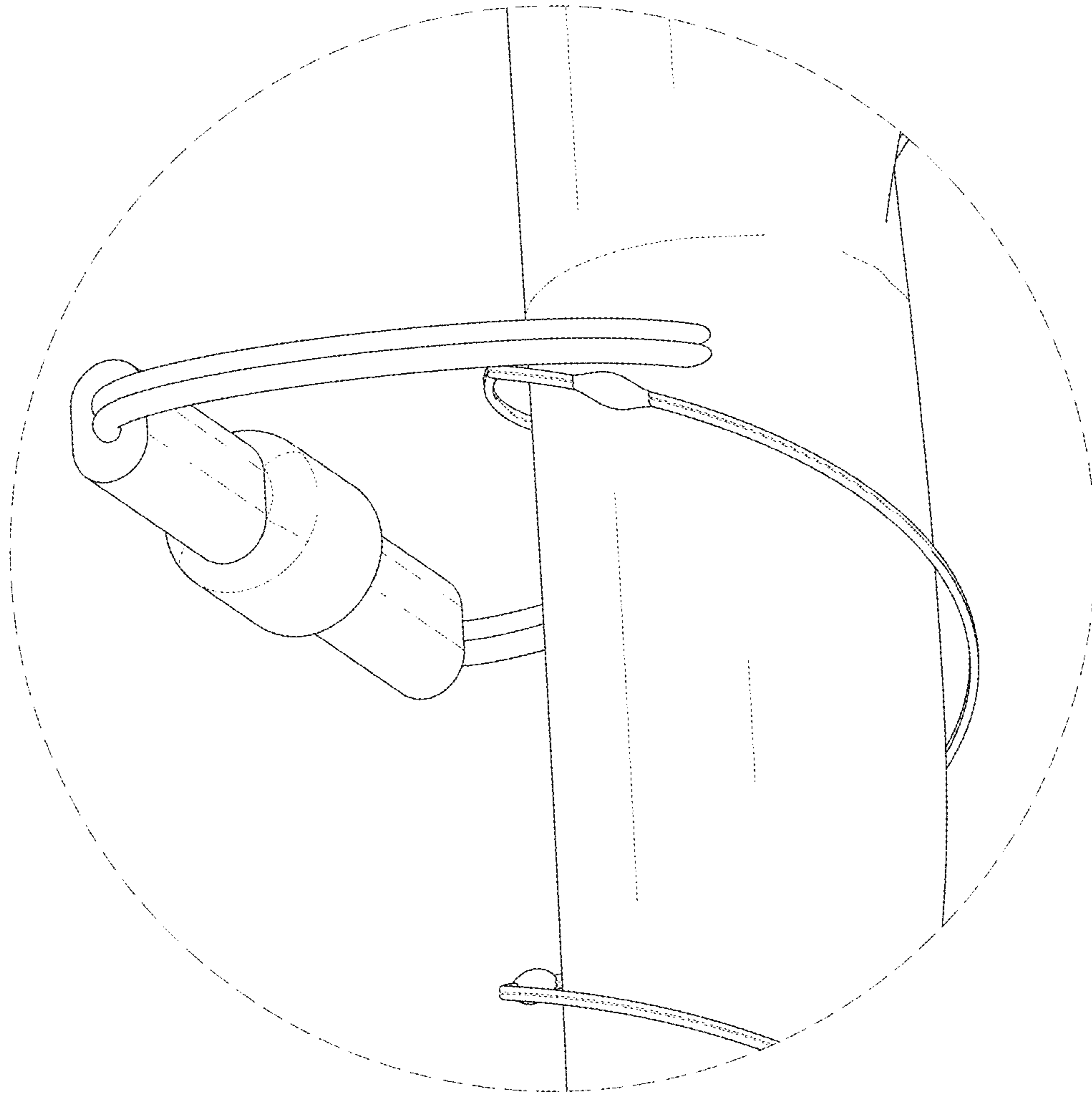
**FIG. 11**



***FIG. 12***

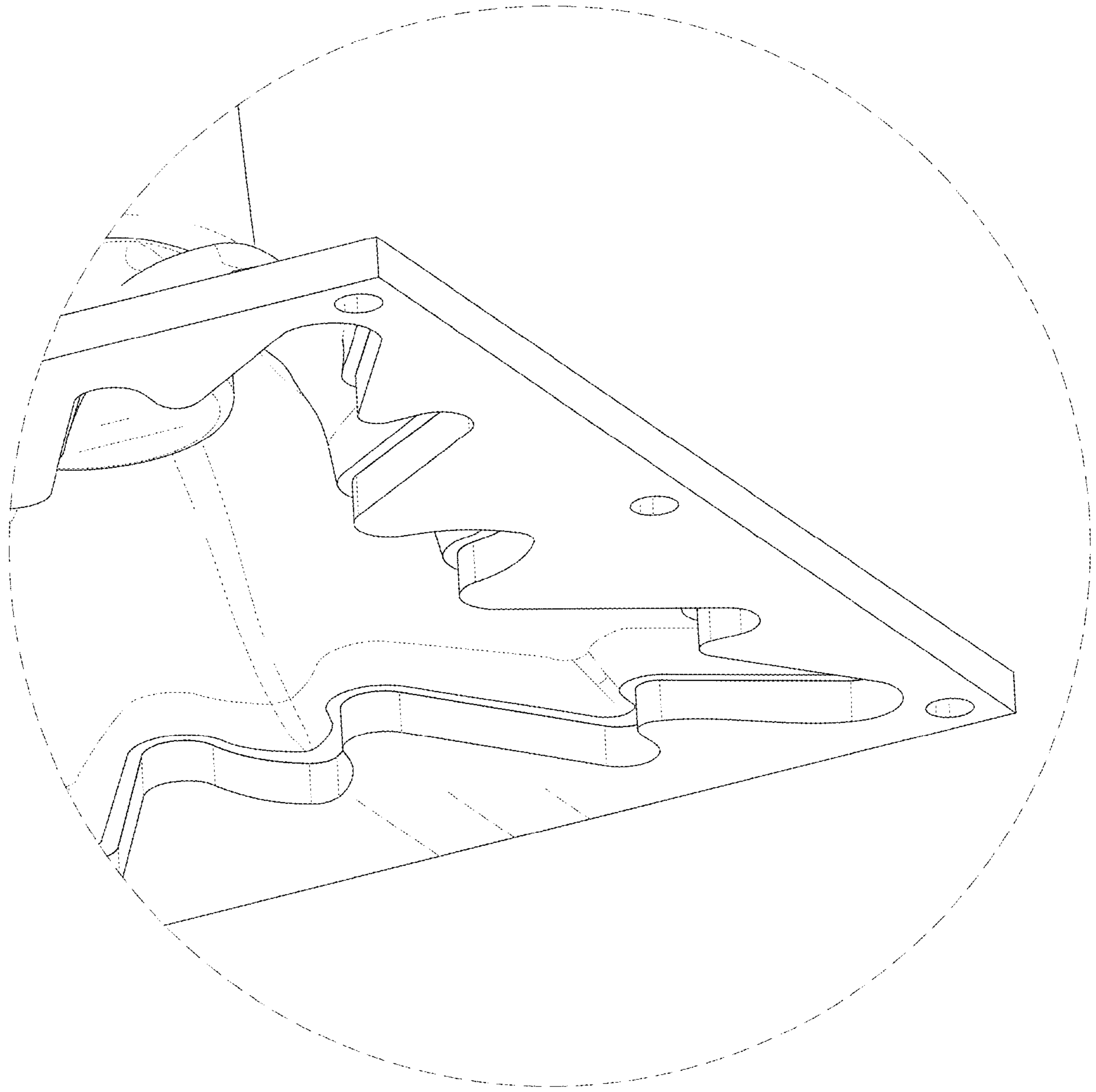


**FIG. 13**

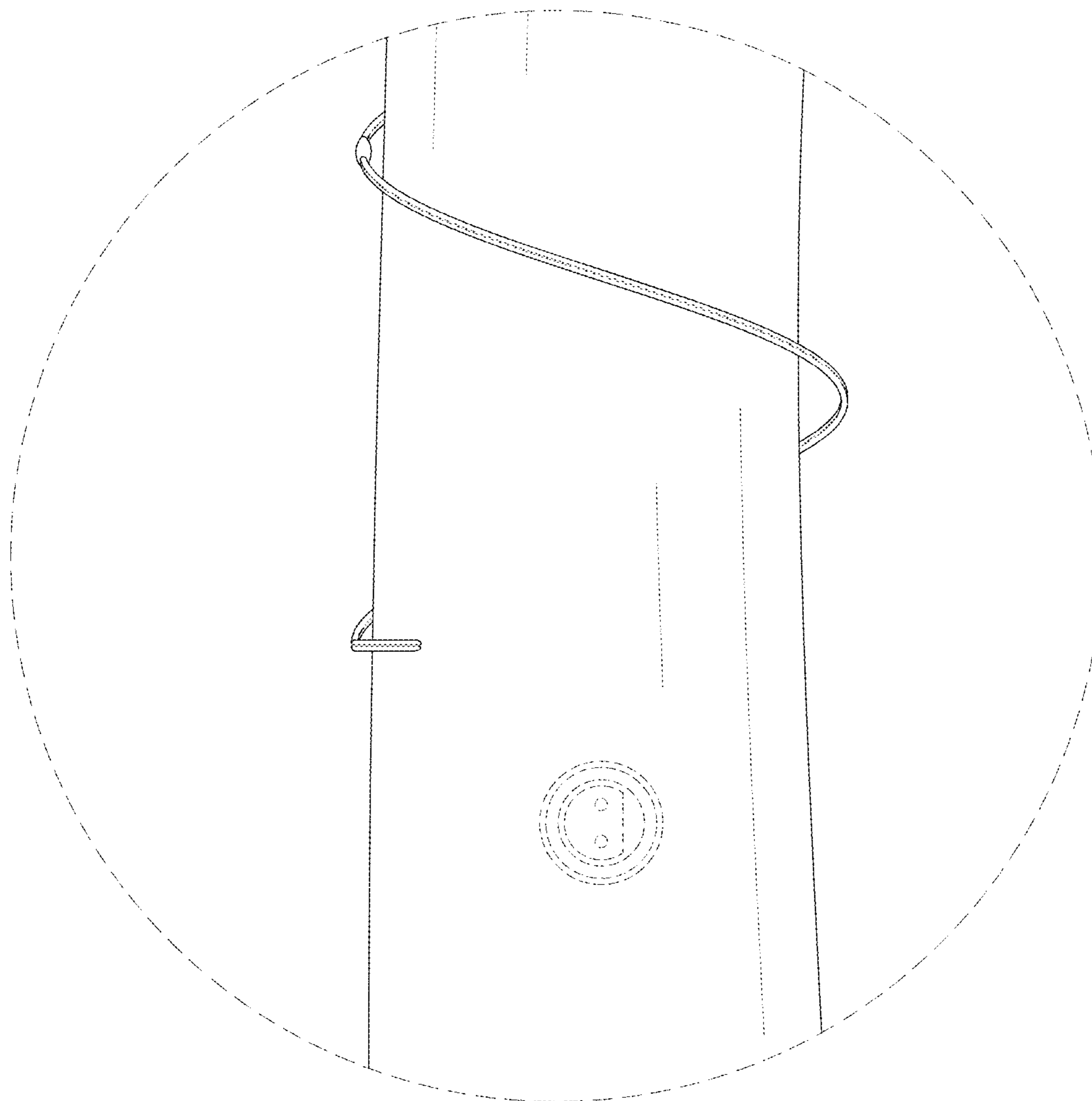


**FIG. 14**





**FIG. 15**



**FIG. 16**



**FIG. 17**