



US00D978408S

(12) **United States Design Patent**  
**Li**

(10) **Patent No.:** **US D978,408 S**  
(45) **Date of Patent:** **\*\* Feb. 14, 2023**

(54) **FLOOR LAMP**

**DESCRIPTION**

- (71) Applicant: **Shenzhen Chilong Industrial Co., Ltd.**, Shenzhen (CN)
- (72) Inventor: **Xiaowen Li**, Shenzhen (CN)
- (\*\*) Term: **15 Years**
- (21) Appl. No.: **29/807,493**
- (22) Filed: **Sep. 13, 2021**
- (51) **LOC (14) Cl.** ..... **26-05**
- (52) **U.S. Cl.**  
USPC ..... **D26/93; D26/58**
- (58) **Field of Classification Search**  
USPC ..... D26/24, 93, 104, 106, 107, 108, 110,  
D26/112, 113, 118, 138, 51, 58, 61, 62,  
D26/63

(Continued)

(56) **References Cited**

**U.S. PATENT DOCUMENTS**

- D372,999 S \* 8/1996 Swanson ..... A47G 1/0638  
D26/58
- D380,859 S \* 7/1997 Huang ..... H05B 45/20  
D26/58

(Continued)

**OTHER PUBLICATIONS**

Nacatin Floor Lamp, May 9, 2018, Amazon.co.uk, site visited Aug. 30, 2022, url: <https://www.amazon.co.uk/dp/B07CZD12XD/> (Year: 2018).\*

(Continued)

*Primary Examiner* — T Chase Nelson  
*Assistant Examiner* — Rachel Wolfe  
(74) *Attorney, Agent, or Firm* — Rumit Ranjit Kanakia

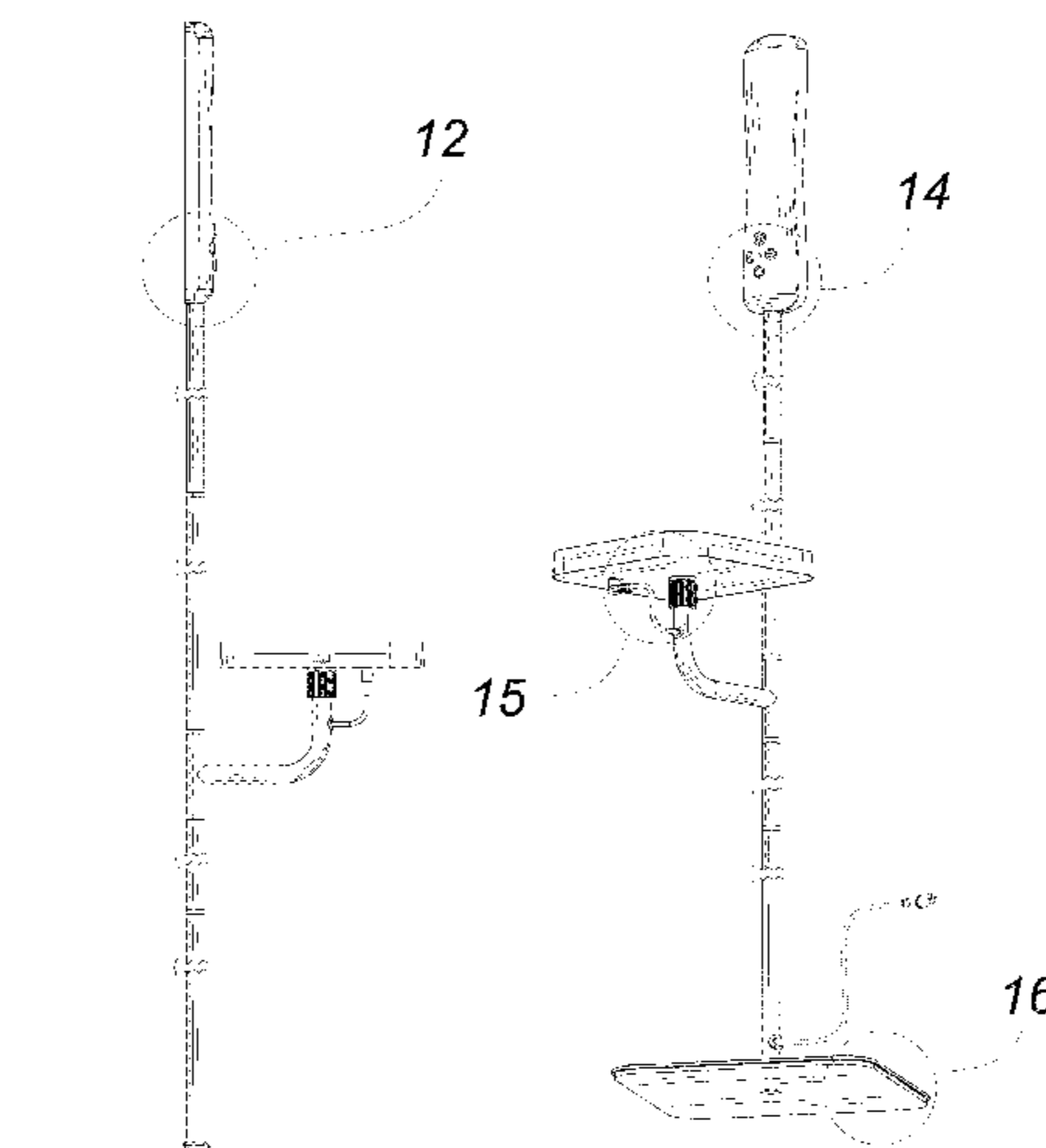
(57) **CLAIM**

The ornamental design for a floor lamp, as shown and described.

FIG. 1 is a front elevational view of a floor lamp showing my new design;  
 FIG. 2 is a rear elevational view thereof; and  
 FIG. 3 is a left side view thereof;  
 FIG. 4 is a right side view thereof;  
 FIG. 5 is a top plan view thereof;  
 FIG. 6 is a bottom plan view thereof;  
 FIG. 7 is a perspective view thereof;  
 FIG. 8 is another perspective view thereof;  
 FIG. 9 is a partial enlarged view of the portion marked 9 in FIG. 1;  
 FIG. 10 is a partial enlarged view of the portion marked 10 in FIG. 1;  
 FIG. 11 is a partial enlarged view of the portion marked 11 in FIG. 2;  
 FIG. 12 is a partial enlarged view of the portion marked 12 in FIG. 3;  
 FIG. 13 is a partial enlarged view of the portion marked 13 in FIG. 5;  
 FIG. 14 is a partial enlarged view of the portion marked 14 in FIG. 7;  
 FIG. 15 is a partial enlarged view of the portion marked 15 in FIG. 7;  
 FIG. 16 is a partial enlarged view of the portion marked 16 in FIG. 7;  
 FIG. 17 is a partial enlarged view of the portion marked 17 in FIG. 8; and,  
 FIG. 18 is a partial enlarged view of the portion marked 18 in FIG. 8.

The broken lines in the figures are for the purpose of illustrating portions of the floor lamp, which form no part of the claimed design. Broken lines are also used to illustrate the boundaries of the enlarged fragments shown in FIGS. 9-18 and form no part of the claimed design. The floor lamp is shown with symbolic breaks in its length and the appearance of any portion of the floor lamp between the break lines forms no part of the claimed design.

**1 Claim, 18 Drawing Sheets**



(58) **Field of Classification Search**  
 CPC .... F21S 6/00; F21S 6/002; F21S 6/003; F21S  
 6/004; F21S 6/005; F21S 6/006; F21S  
 6/007; F21S 6/008; F21V 1/00; F21V  
 1/02; F21V 1/14; F21V 3/00  
 See application file for complete search history.

(56) **References Cited**  
 U.S. PATENT DOCUMENTS

D502,282 S	2/2005	Waldmann	
D608,925 S *	1/2010	Hodgson	D26/62
D728,846 S *	5/2015	McCormick	D26/107
D728,847 S *	5/2015	Wiedenmann	D26/107
D732,217 S *	6/2015	Wiedenmann	D26/60
D732,230 S	6/2015	Anastasiades	
D734,530 S	7/2015	Cocksedge	
D765,303 S	8/2016	Rashid	
D768,908 S	10/2016	Fisher	
D772,470 S *	11/2016	Feit	D26/106
D774,240 S	12/2016	Velez	
D774,684 S	12/2016	Velez	
D780,984 S	3/2017	Urquiola	
D801,572 S	10/2017	Starck	
D822,266 S *	7/2018	Jiang	D26/107
D822,267 S *	7/2018	Yao	D26/107
D835,329 S *	12/2018	Edgar	D26/107
D838,888 S *	1/2019	Shengbiao	D26/60

D859,730 S *	9/2019	Blechner	D26/118
D861,944 S *	10/2019	Wu	D26/60
D863,638 S *	10/2019	Zhou	D26/58
D873,475 S *	1/2020	Wang	D26/107
D876,705 S *	2/2020	Tang	D26/107
D876,706 S *	2/2020	Tang	D26/107
D899,654 S *	10/2020	Zhou	D26/60
D929,631 S *	8/2021	Tong	D26/51
2005/0276048 A1 *	12/2005	Farmer	A47G 1/0638 362/253
2007/0019420 A1 *	1/2007	Farmer	F21S 6/003 362/396
2008/0091250 A1 *	4/2008	Powell	H05B 45/20 607/90

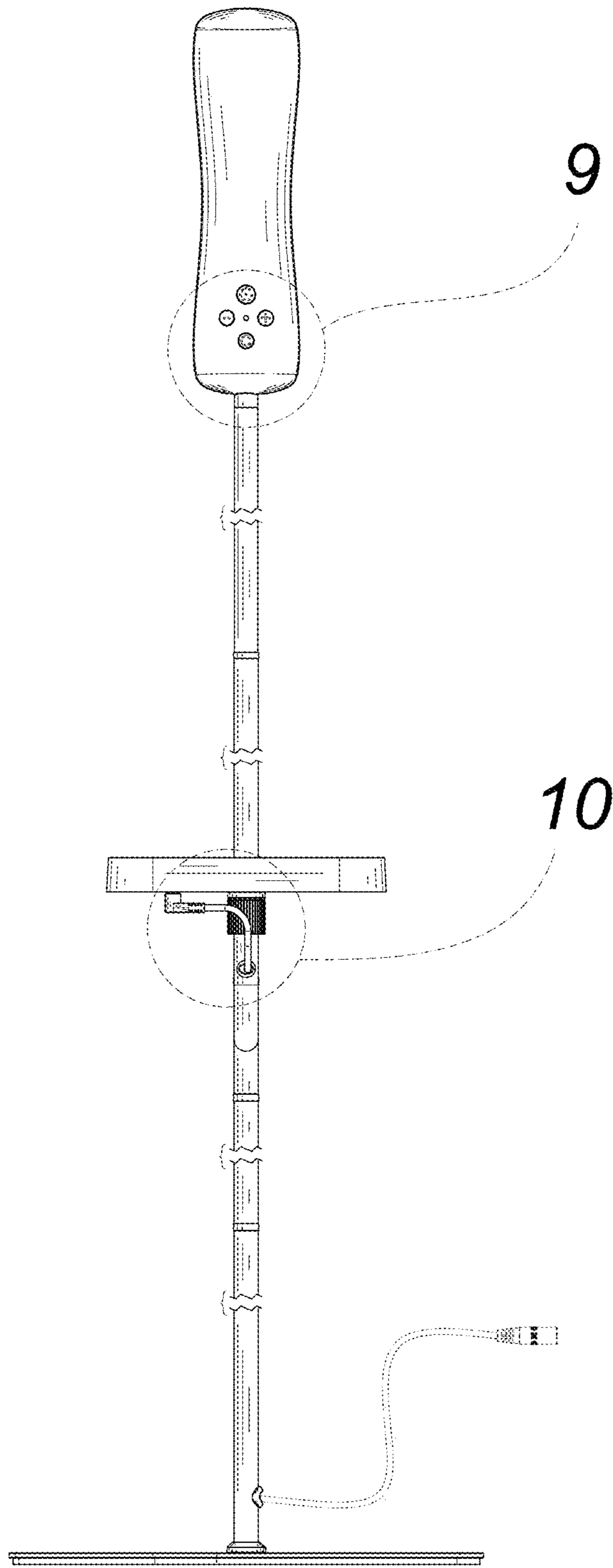
**OTHER PUBLICATIONS**

Luxecorp New Modern Style Corner Metal Lamp, Apr. 9, 2021, Amazon.co.uk, site visited Aug. 30, 2022, url: <https://www.amazon.co.uk/dp/B0923HSSK5/> (Year: 2021).\*

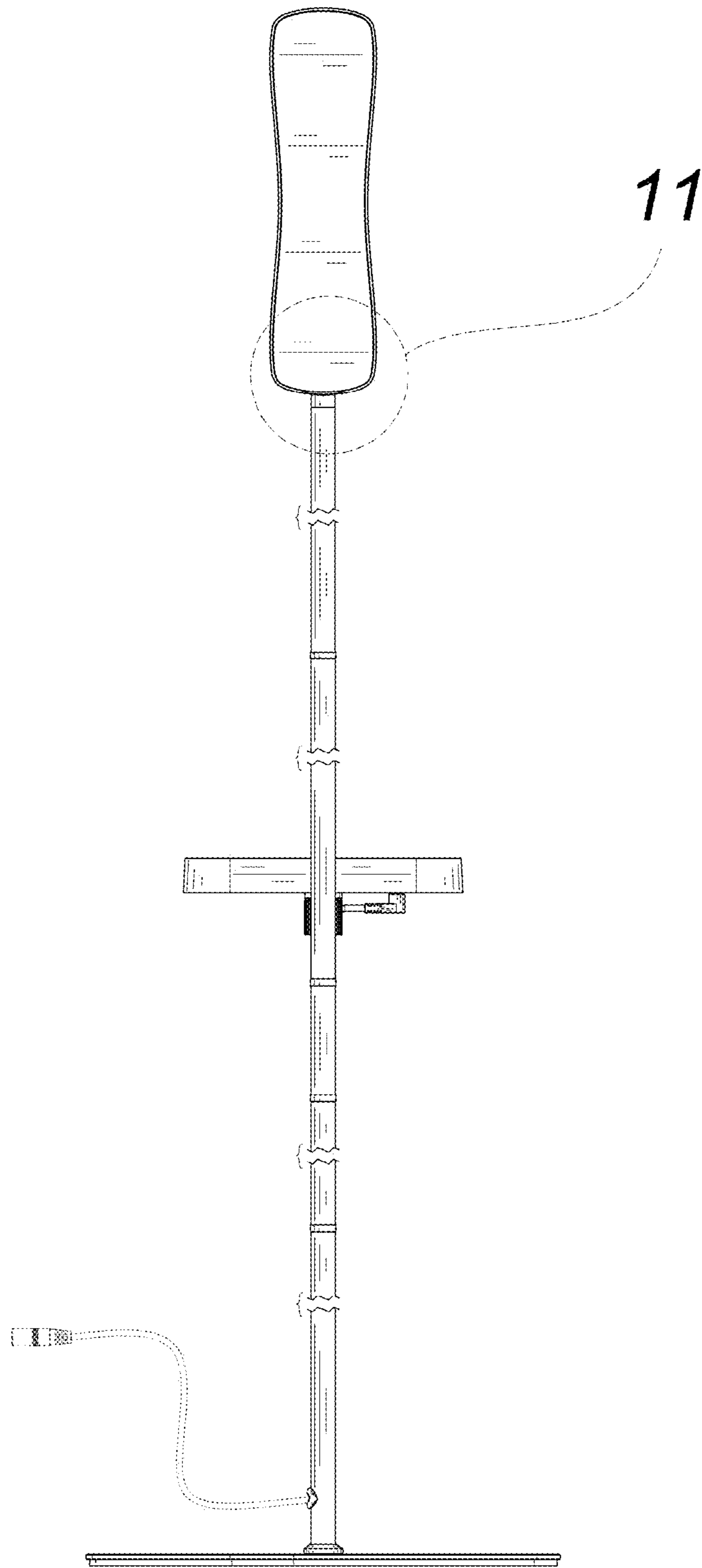
Inmozata Floor Lamp, Jun. 15, 2022, Amazon.co.uk, site visited Aug. 30, 2022, url: <https://www.amazon.co.uk/dp/B0B45FDKRM/?th=1> (Year: 2022).\*

Dekita Floor Lamp with Alexa Google Assistant, Jun. 5, 2022, Amazon.com, site visited Aug. 30, 2022, url: <https://www.amazon.com/dp/B0B37C5JDF> (Year: 2022).\*

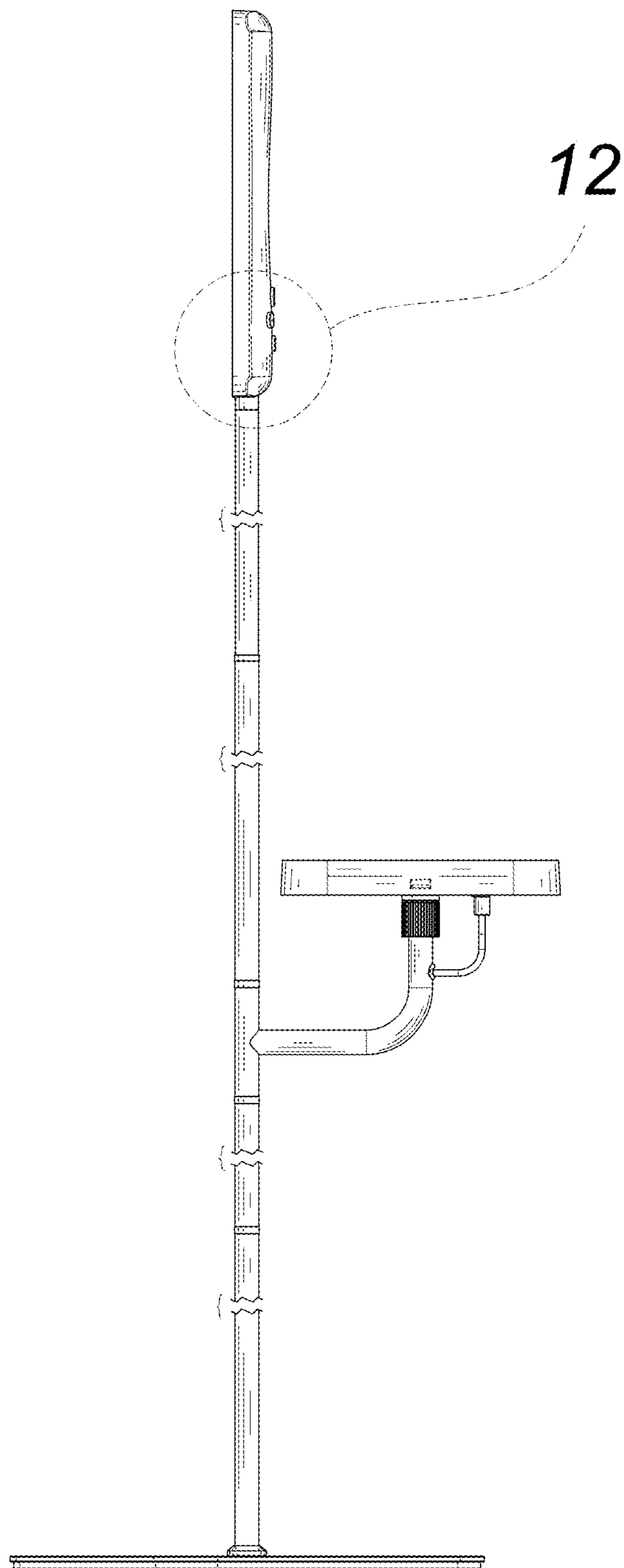
\* cited by examiner



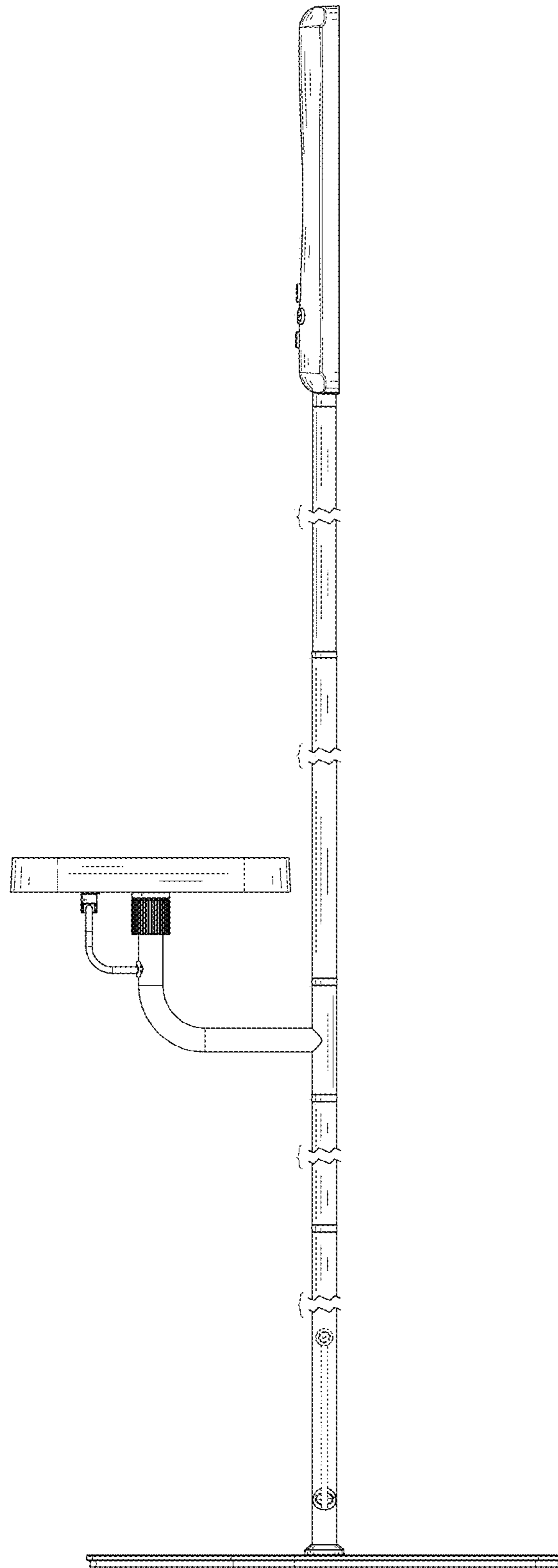
**FIG. 1**



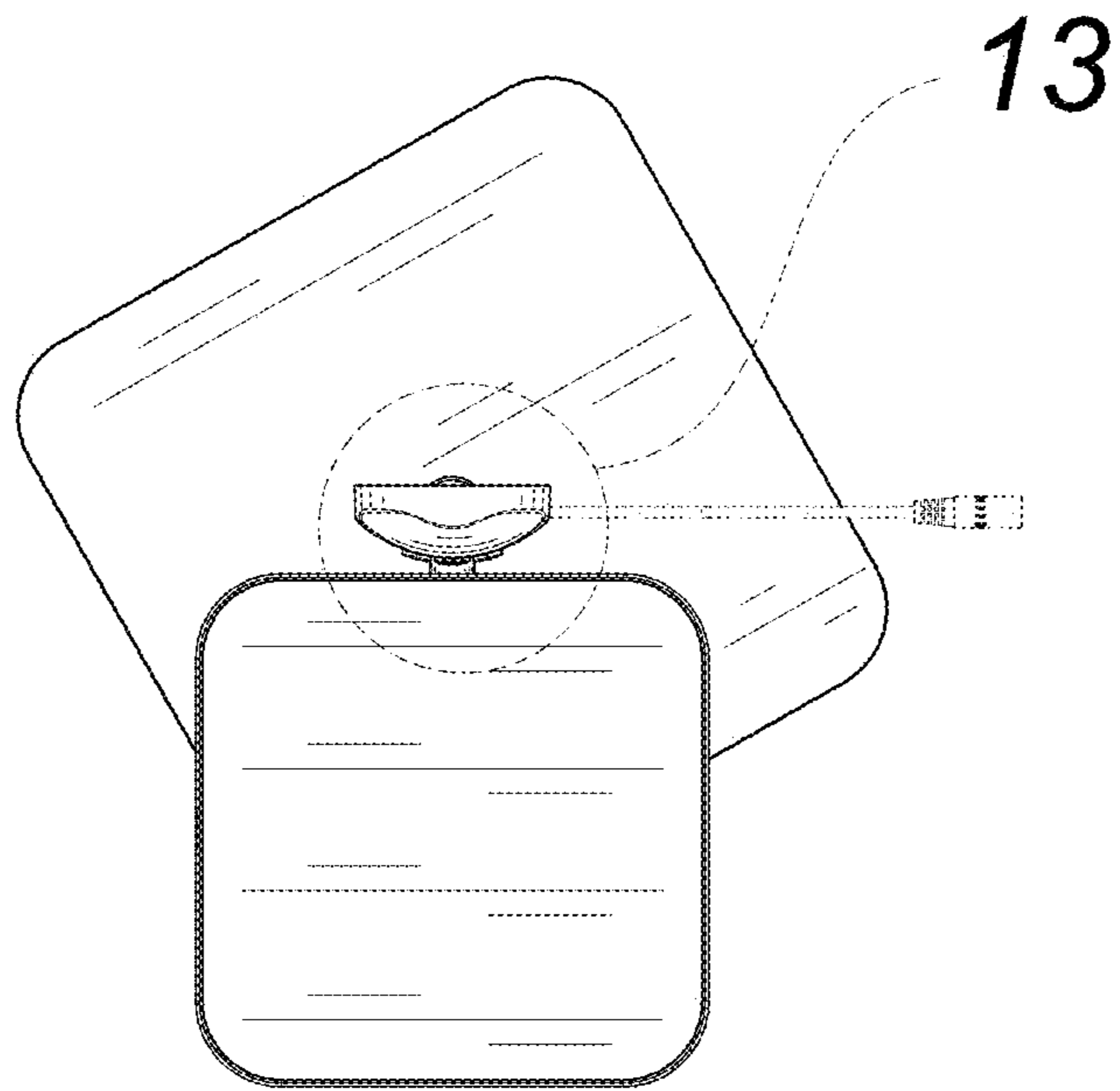
**FIG. 2**



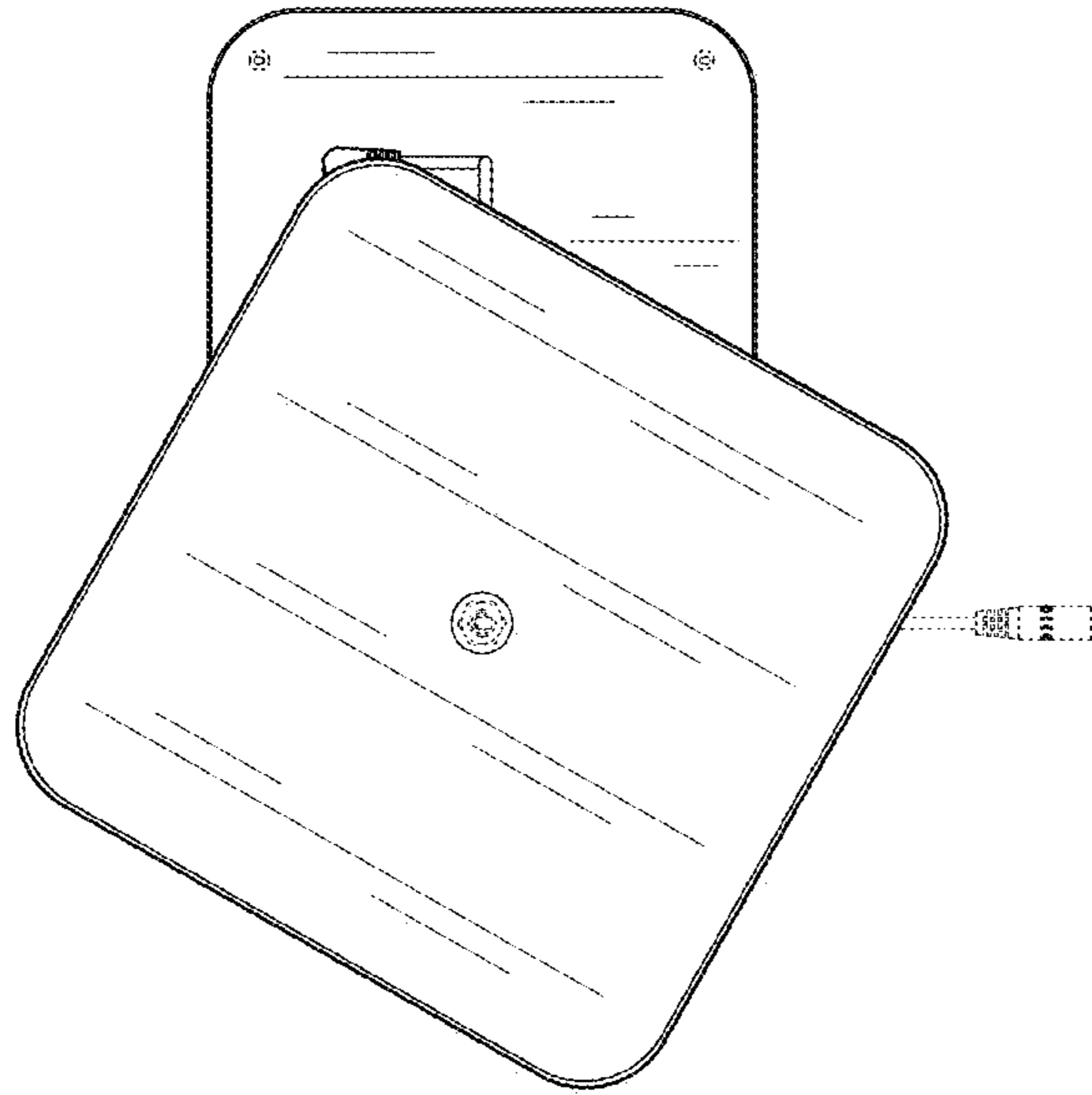
**FIG. 3**



**FIG. 4**

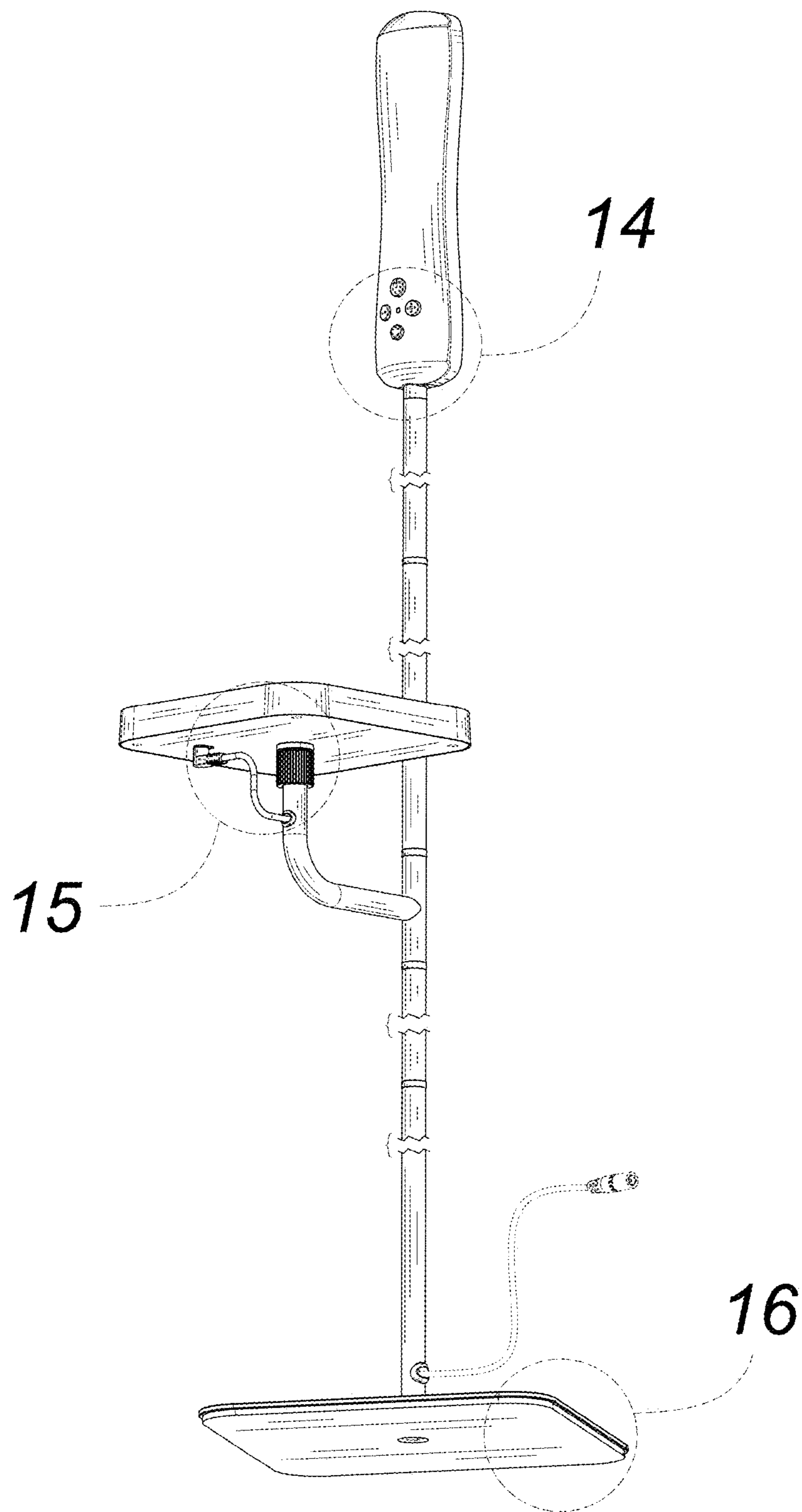


**FIG. 5**

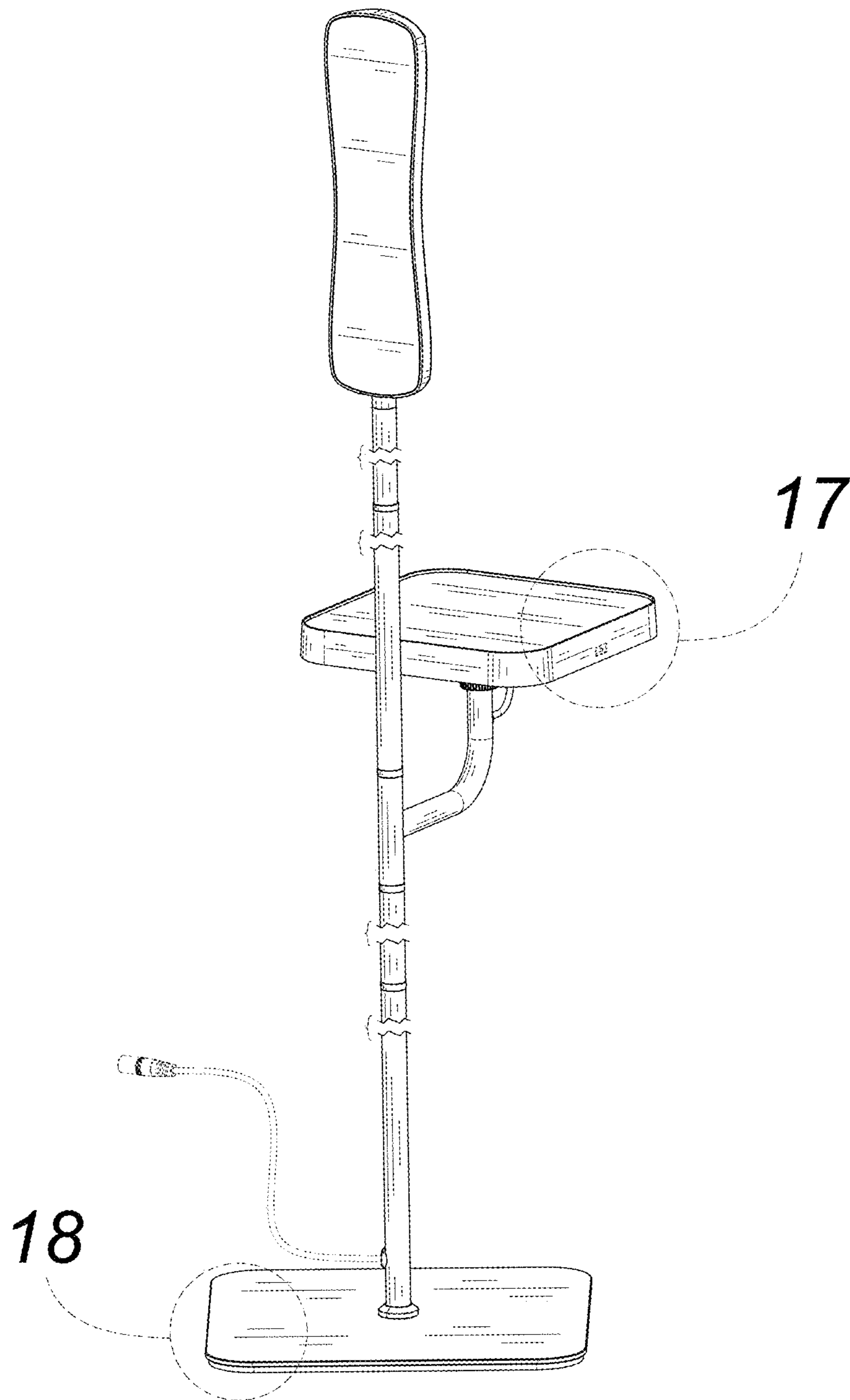


**FIG. 6**

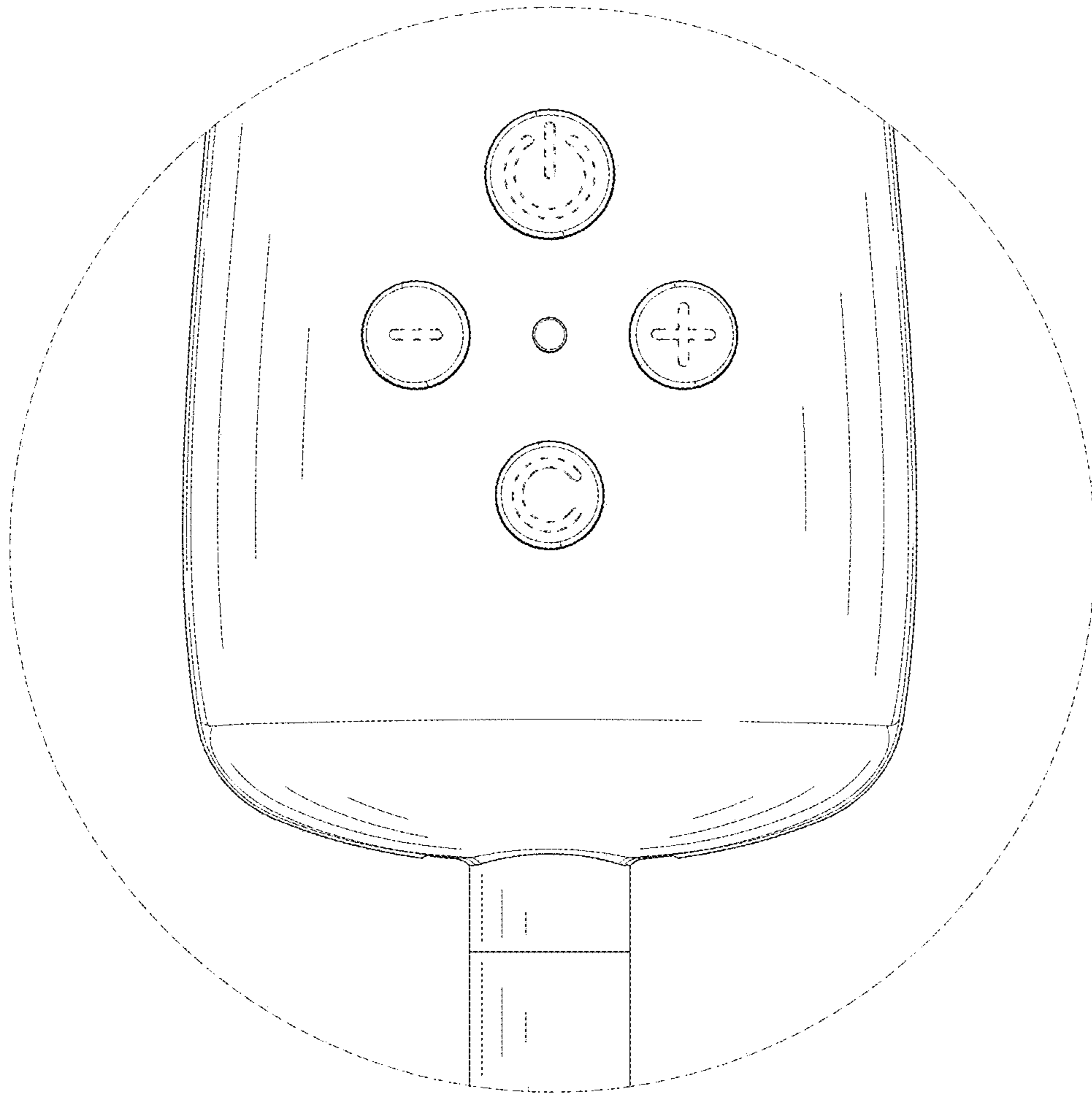




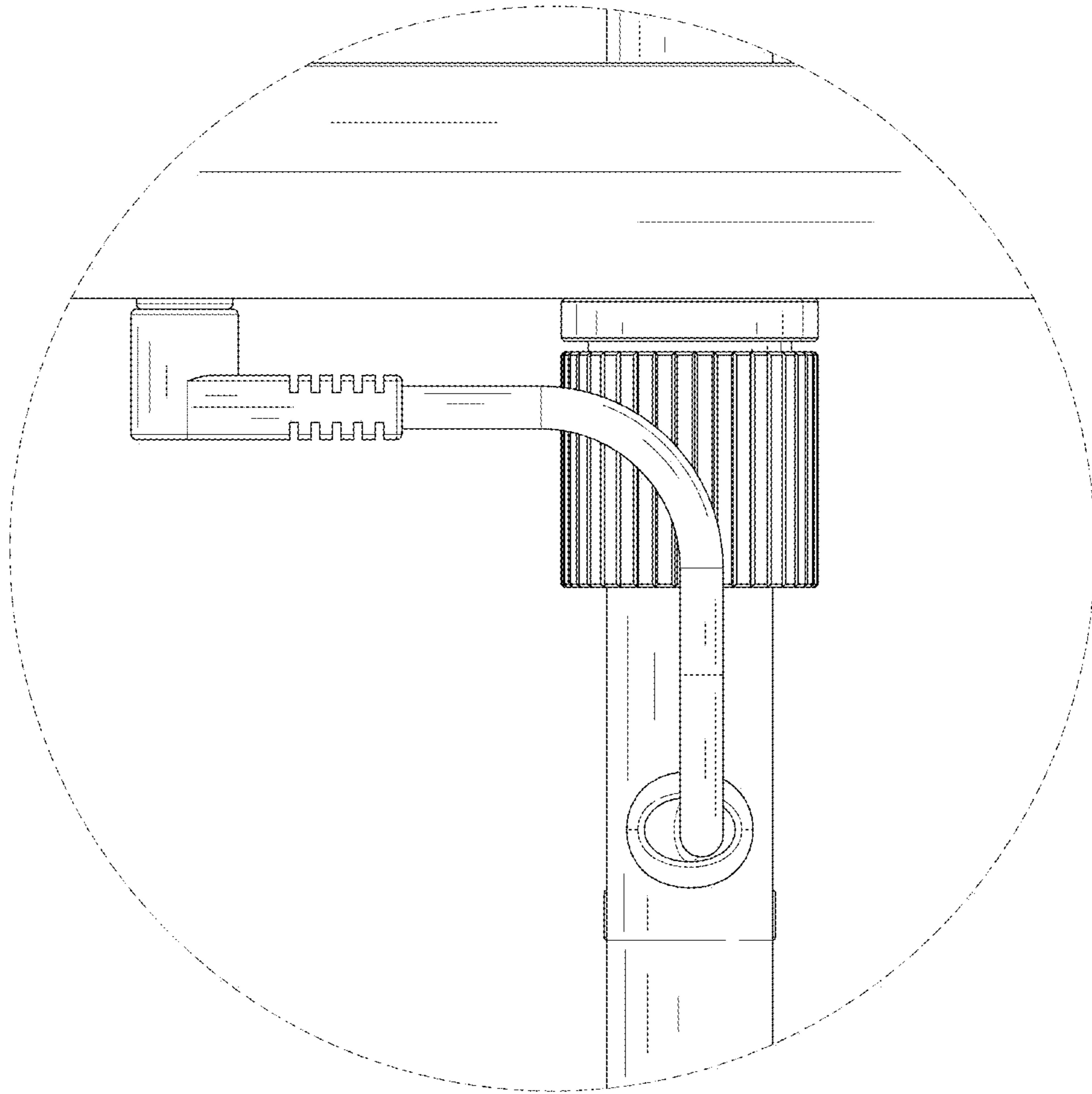
**FIG. 7**



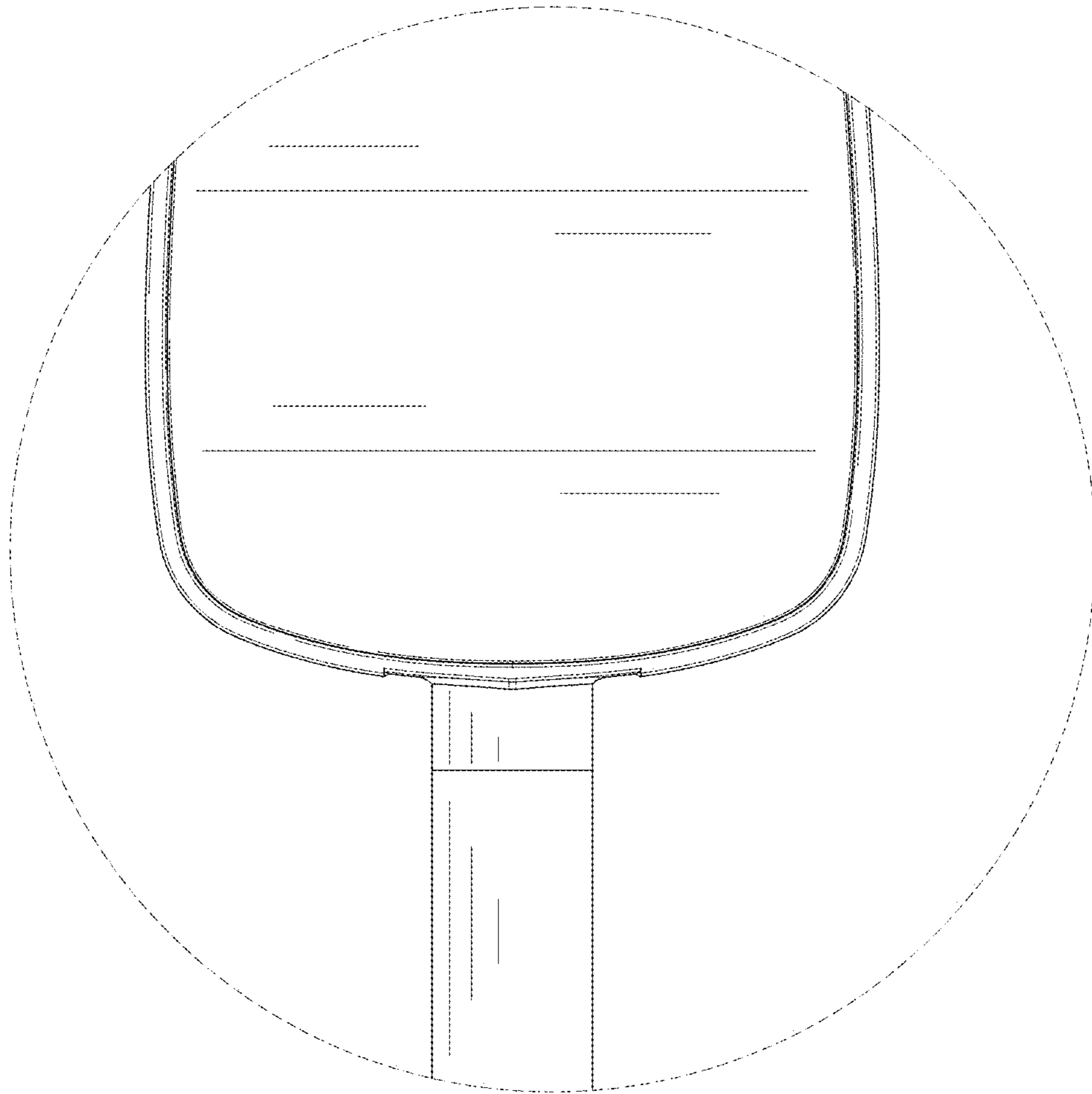
**FIG. 8**



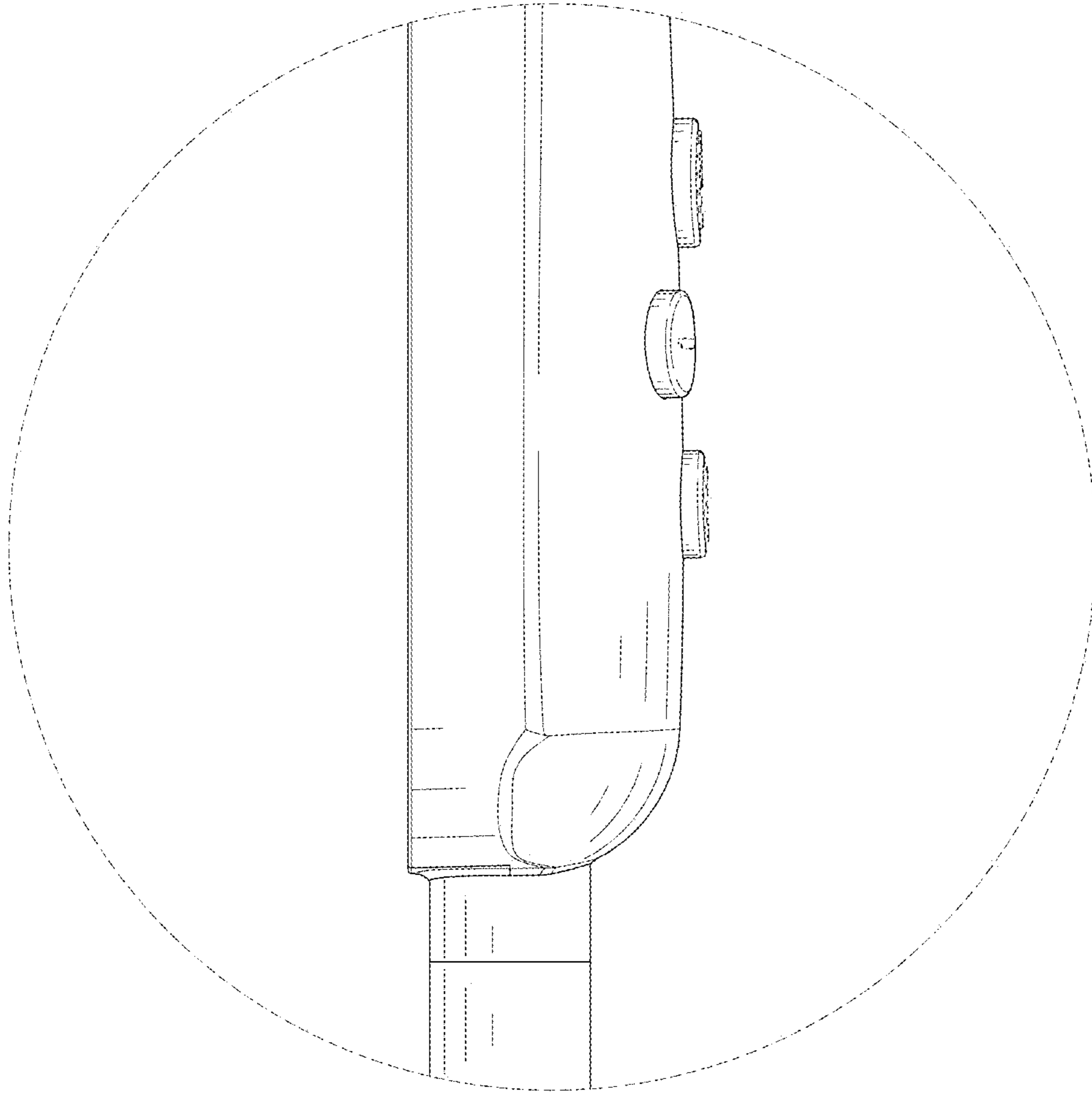
**FIG. 9**



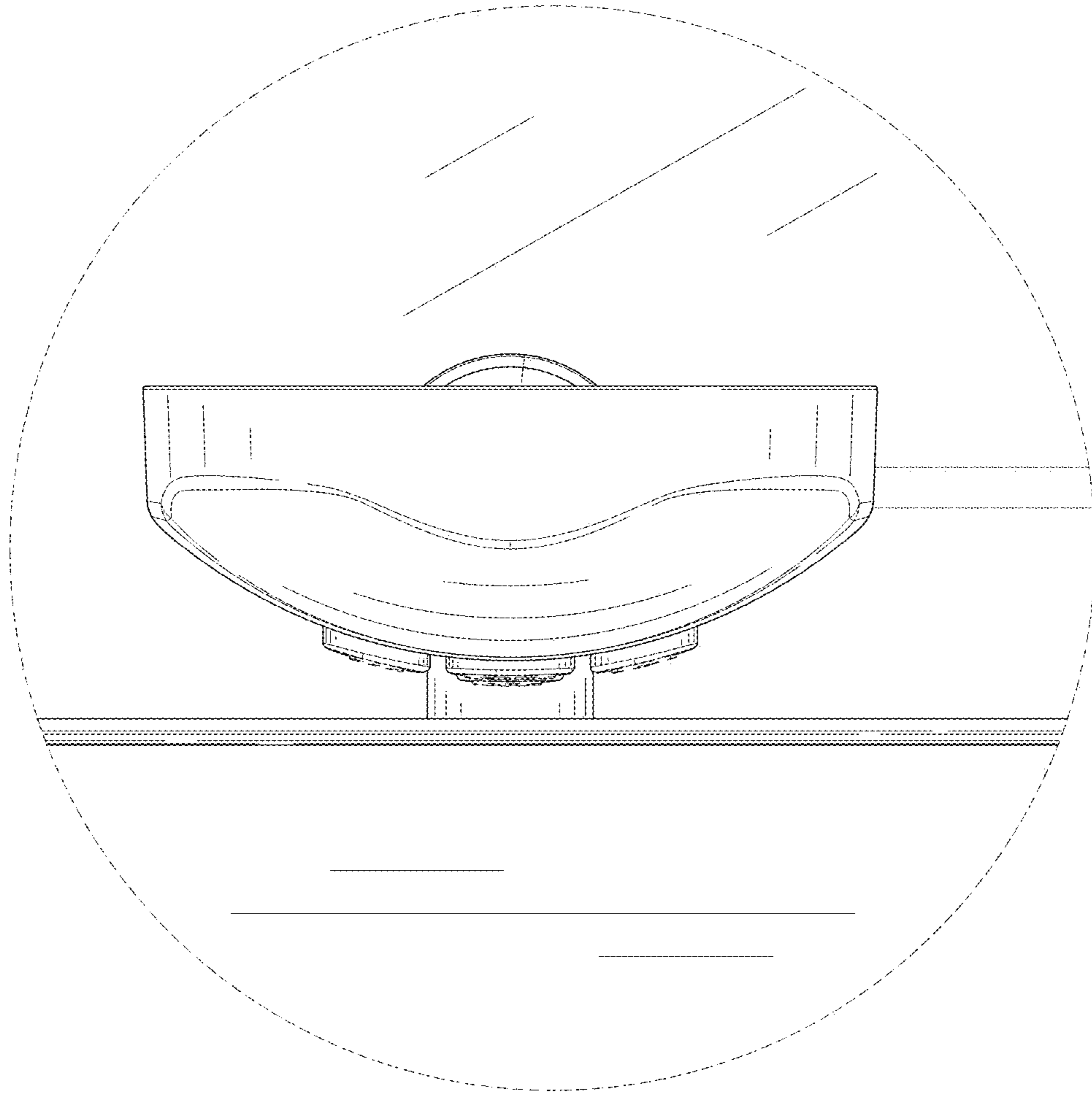
***FIG. 10***



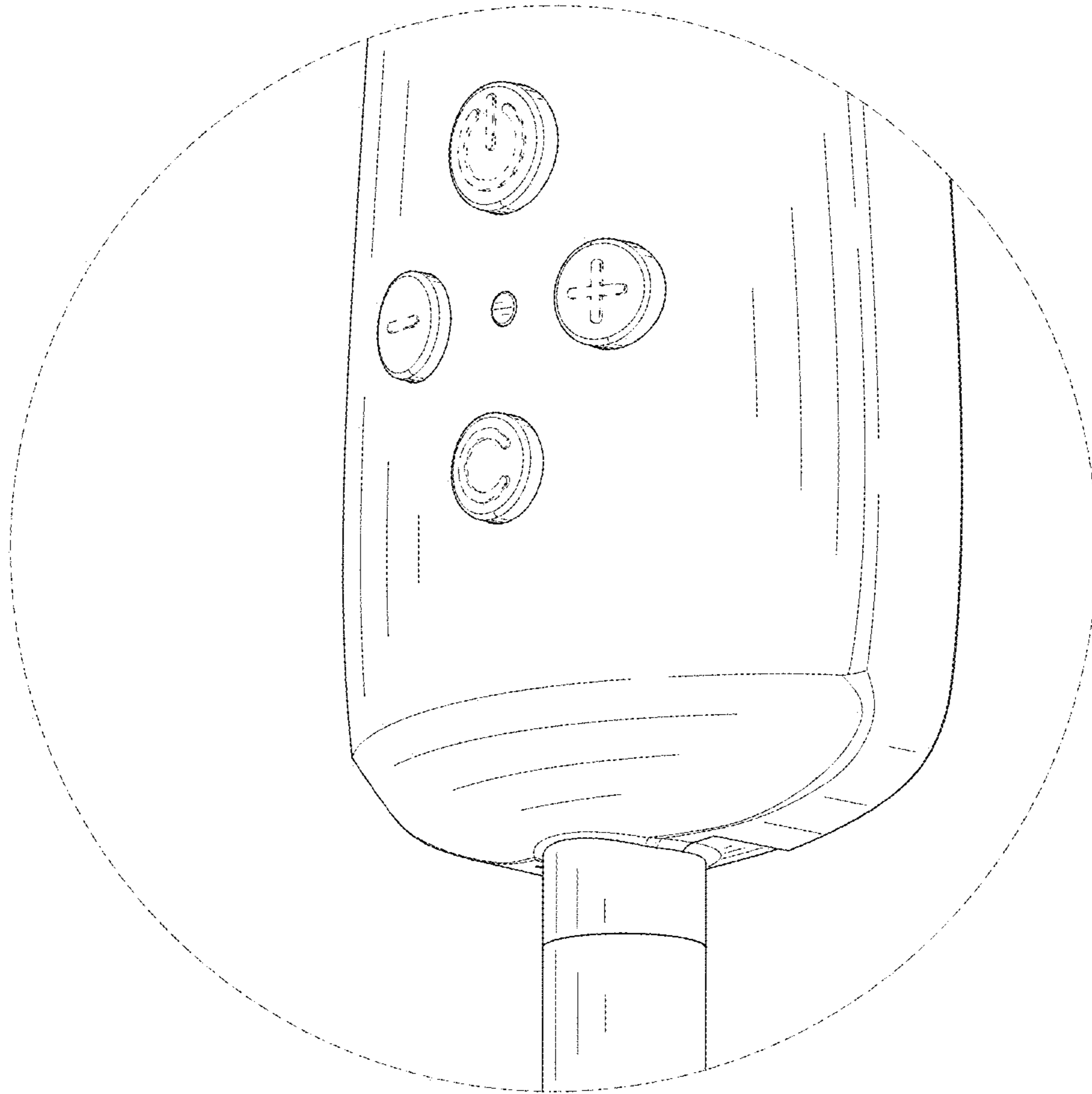
**FIG. 11**



***FIG. 12***

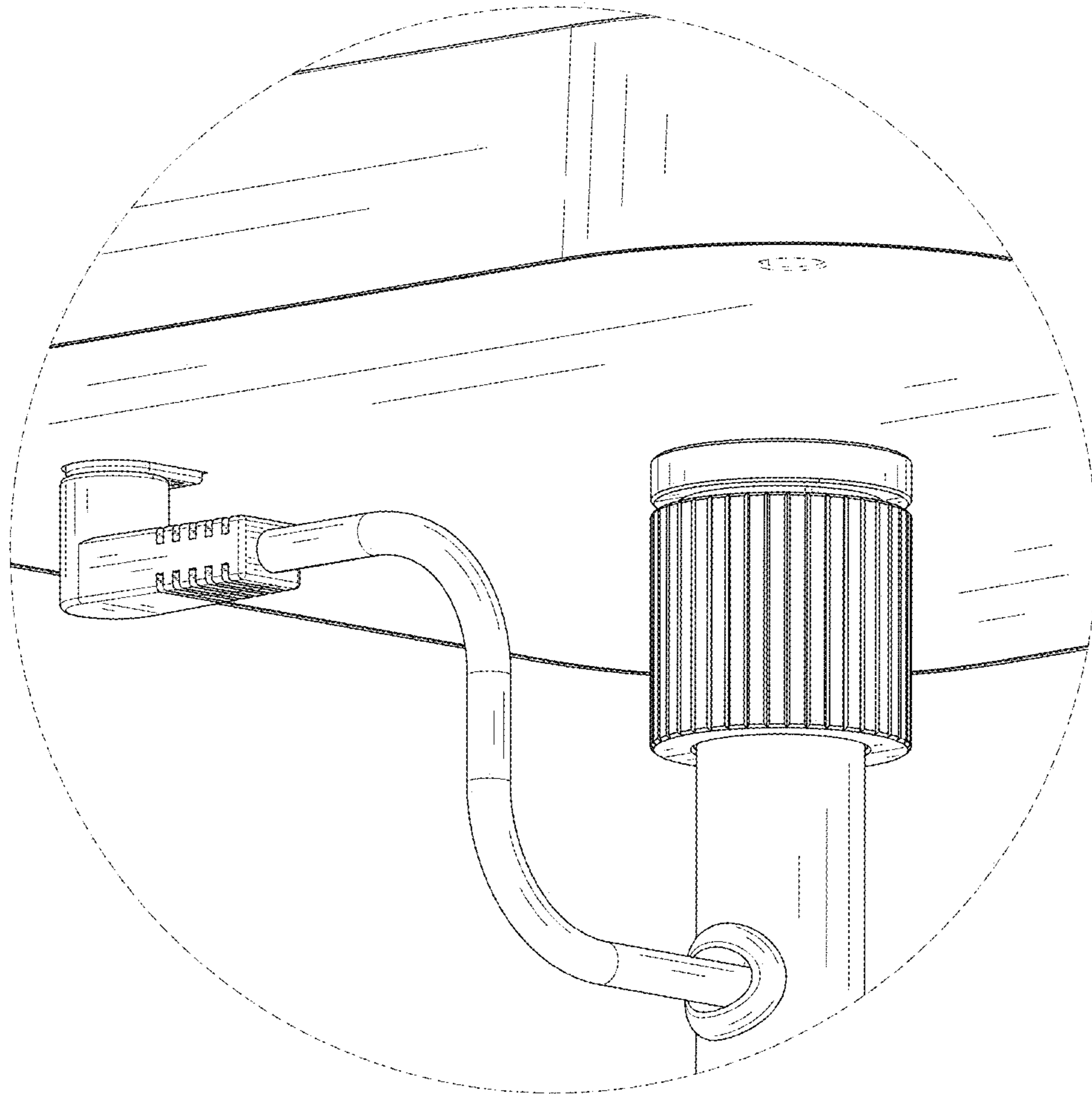


**FIG. 13**

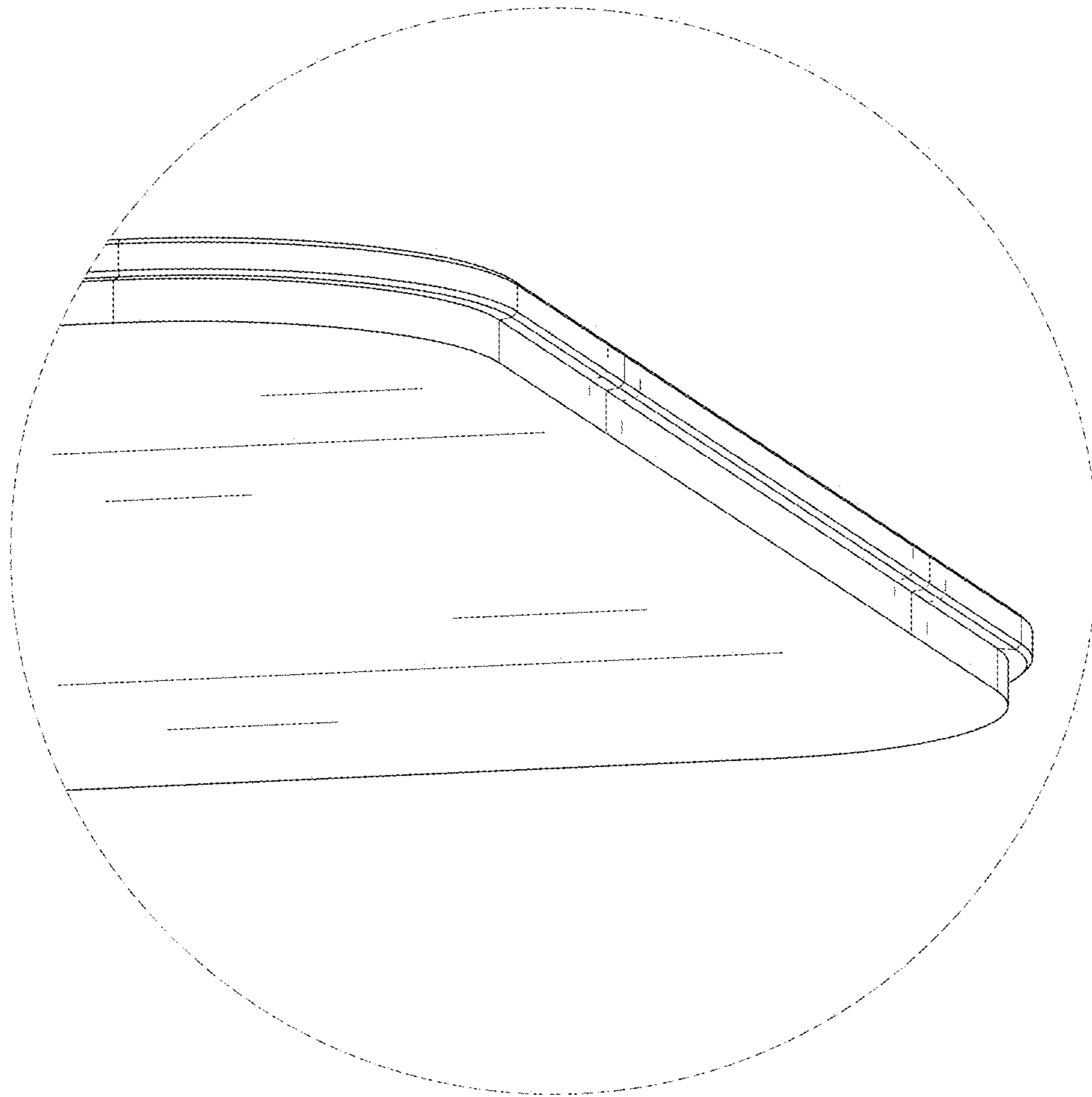


**FIG. 14**

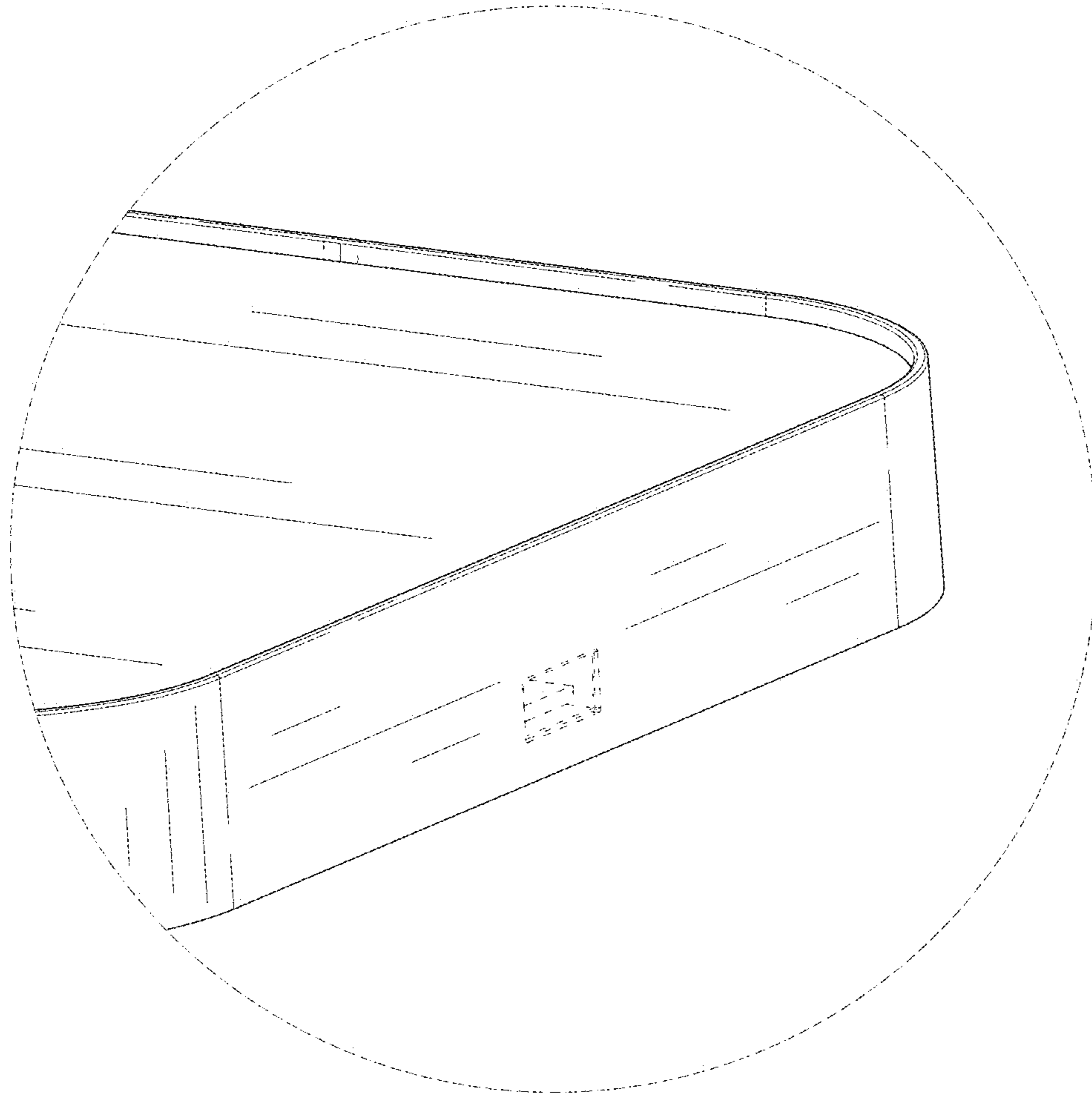




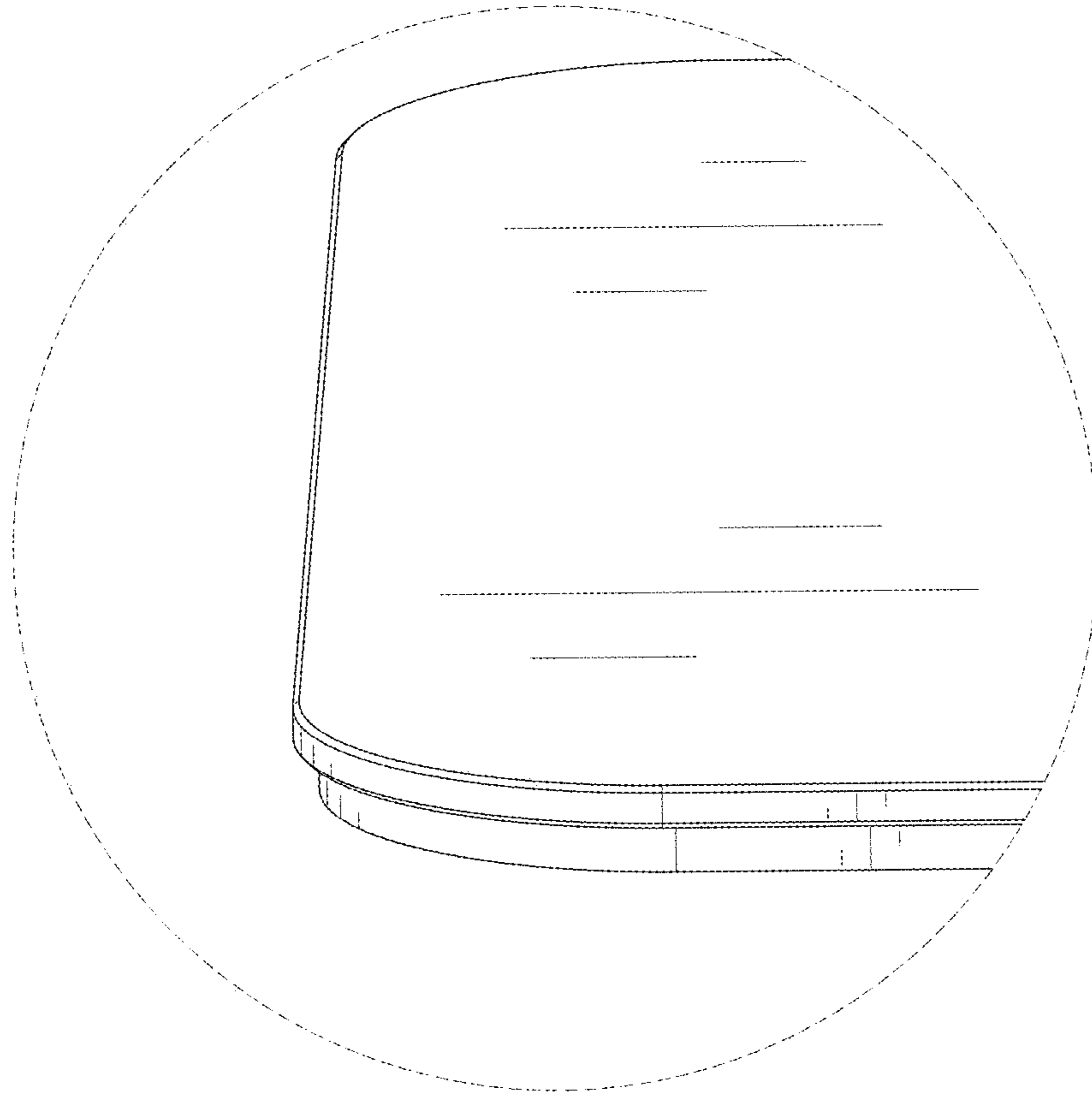
**FIG. 15**



**FIG. 16**



**FIG. 17**



**FIG. 18**