



US00D978405S

(12) **United States Design Patent**
Xu et al.

(10) **Patent No.:** **US D978,405 S**

(45) **Date of Patent:** **** *Feb. 14, 2023**

(54) **LAMP**

(71) Applicants: **Luxia Xu**, Dazhou (CN); **Zihua Gong**, Nanyang (CN)

(72) Inventors: **Luxia Xu**, Dazhou (CN); **Zihua Gong**, Nanyang (CN)

(*) Notice: This patent is subject to a terminal disclaimer.

(**) Term: **15 Years**

(21) Appl. No.: **29/801,683**

(22) Filed: **Jul. 30, 2021**

Related U.S. Application Data

(62) Division of application No. 29/766,369, filed on Jan. 14, 2021, now Pat. No. Des. 930,884.

(51) **LOC (14) Cl.** **26-03**

(52) **U.S. Cl.**
USPC **D26/81**

(58) **Field of Classification Search**
USPC D26/80-86, 88-91, 72, 118, 143, 144
CPC F21S 8/043; F21S 8/046; F21S 8/06; F21S 8/061; F21S 8/063; F21S 8/065; F21S 8/068

See application file for complete search history.

(56) **References Cited**

U.S. PATENT DOCUMENTS

D493,568 S *	7/2004	Parres	D26/143
D790,752 S	6/2017	Chow	
D835,322 S *	12/2018	Nicholas	D26/81
D851,317 S *	6/2019	Orozco	D26/81
D865,262 S *	10/2019	Chen	D26/81
D866,041 S *	11/2019	Chen	D26/81

D877,393 S	3/2020	Yu et al.	
D877,959 S *	3/2020	Birchfield	D26/81
D897,024 S *	9/2020	Gong	D26/81
D897,025 S *	9/2020	Gong	D26/81
D930,884 S *	9/2021	Xu	D26/86
D940,379 S *	1/2022	Zhao	D26/81

OTHER PUBLICATIONS

Eumyviv C0022 Metal Pendant Lamp with Glass Shade, ASIN: B076J793HF. Available from amazon.com Oct. 18, 2017. (Year: 2017).*

Golden Lighting 0866-LP ABI Meyer Linear Pendant, ASIN: B086WPF7HZ. Available from amazon.com Apr. 8, 2020. (Year: 2020).*

5-Light Rustic Chandelier With Frosted Glass Lamp Shade by Gracie Oaks. Available from wayfair.com as early as Feb. 1, 2022. (Year: 2022).*

Eumyviv Farmhouse Cage Rustic Chandelier, ASIN: B07SL44W8X. Available from amazon.com Jun. 4, 2019. (Year: 2019).*

* cited by examiner

Primary Examiner — Clare E Heflin

(57) **CLAIM**

The ornamental design for a lamp, as shown and described.

DESCRIPTION

FIG. 1 is a perspective view of a lamp showing my new design;

FIG. 2 is another perspective view thereof;

FIG. 3 is a front elevational view thereof;

FIG. 4 is a rear elevational view thereof;

FIG. 5 is a left side elevational view thereof;

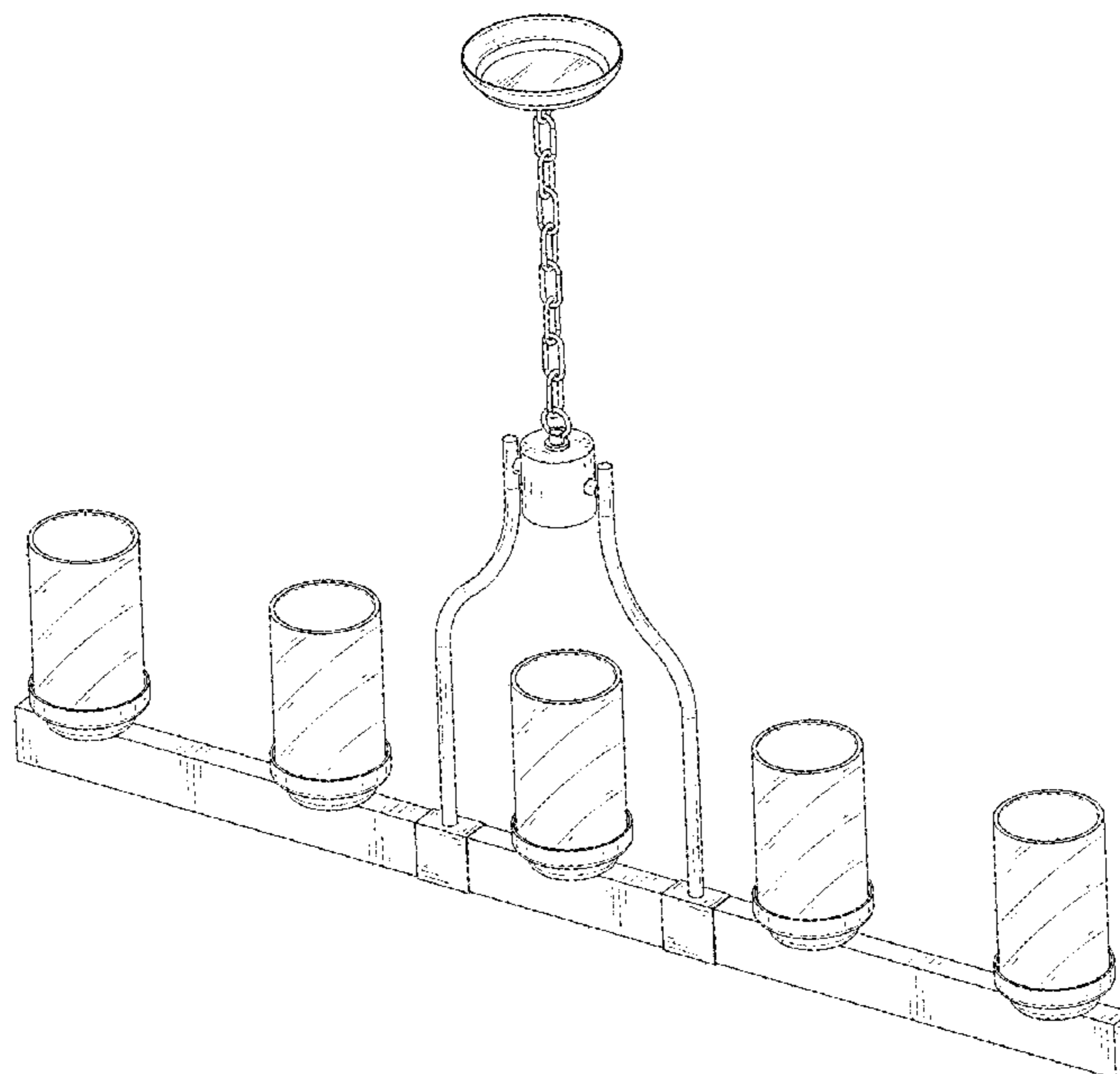
FIG. 6 is a right side elevational view thereof;

FIG. 7 is a top plan view thereof; and,

FIG. 8 is a bottom plan view thereof.

The broken lines in the drawings depict portions of the lamp that form no part of the claimed design.

1 Claim, 8 Drawing Sheets



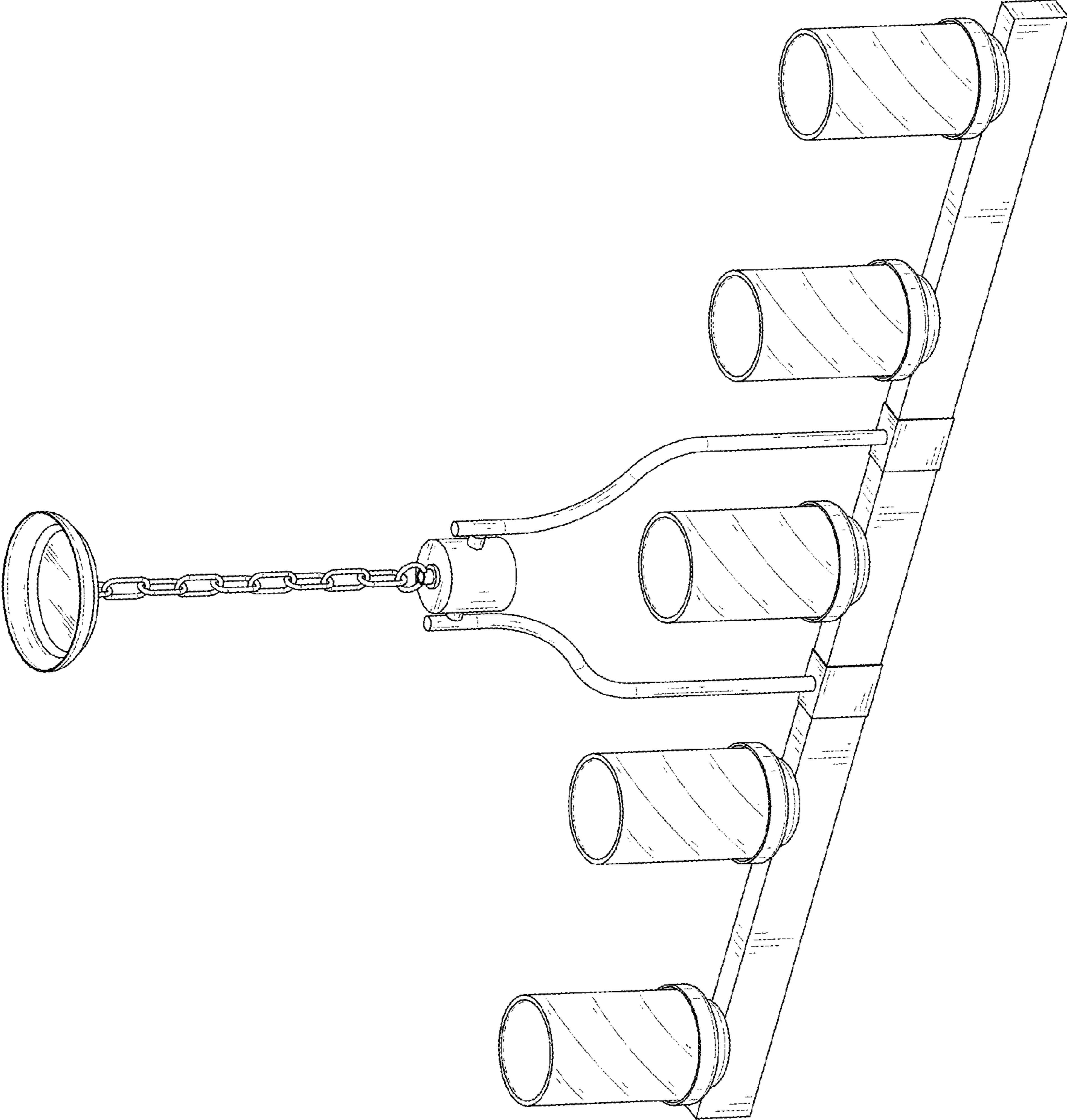


FIG. 1

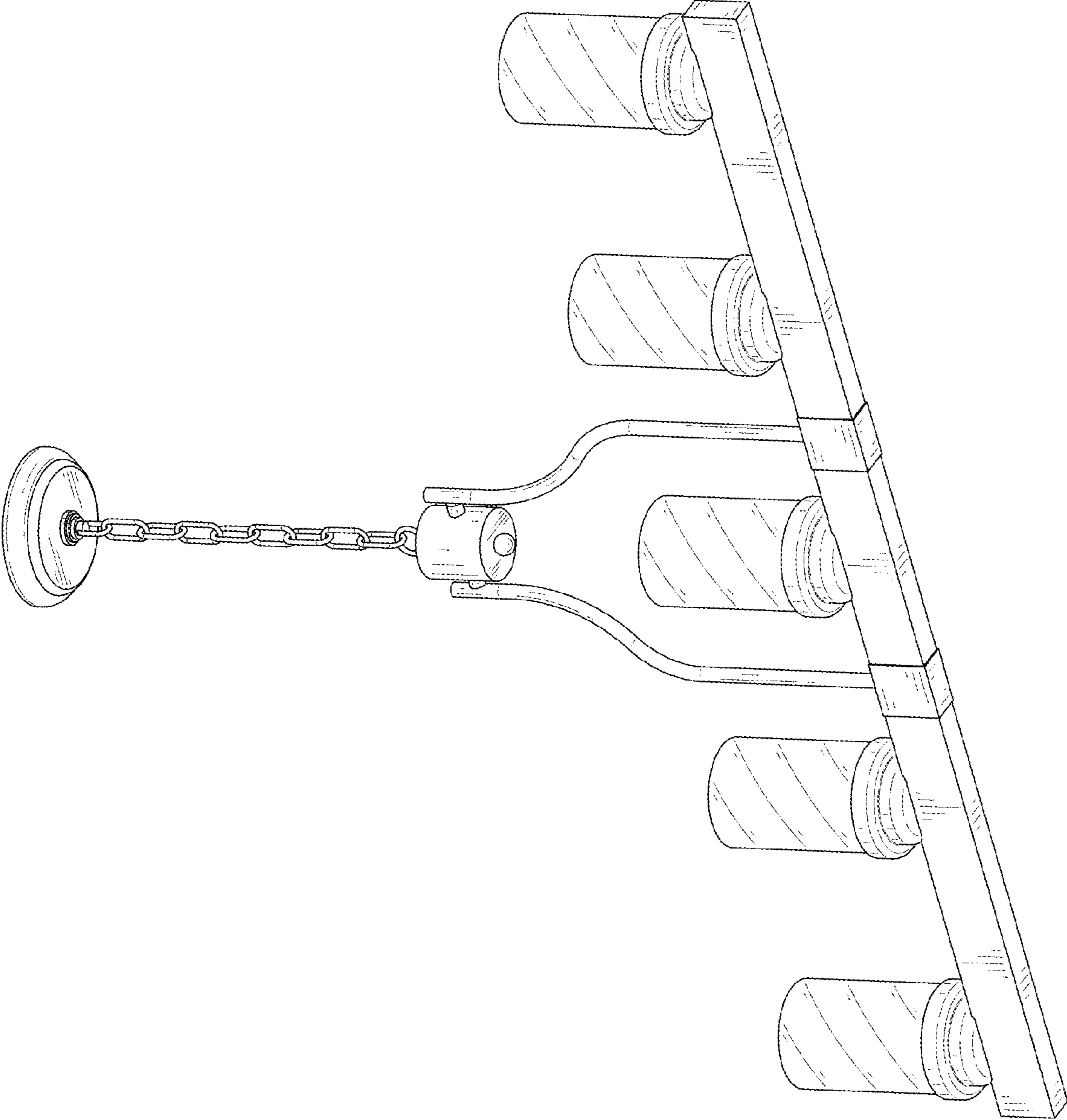


FIG. 2

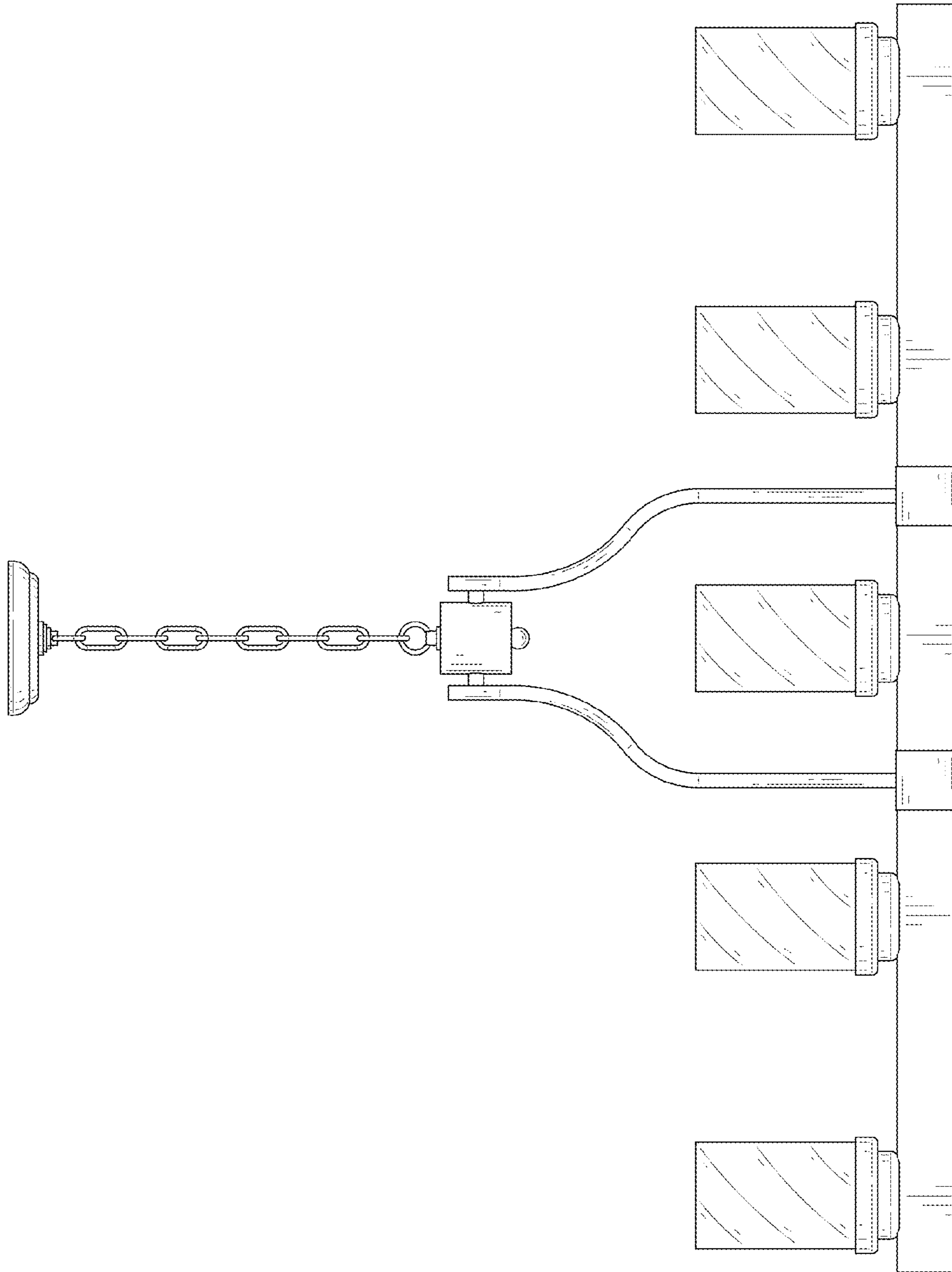


FIG. 3

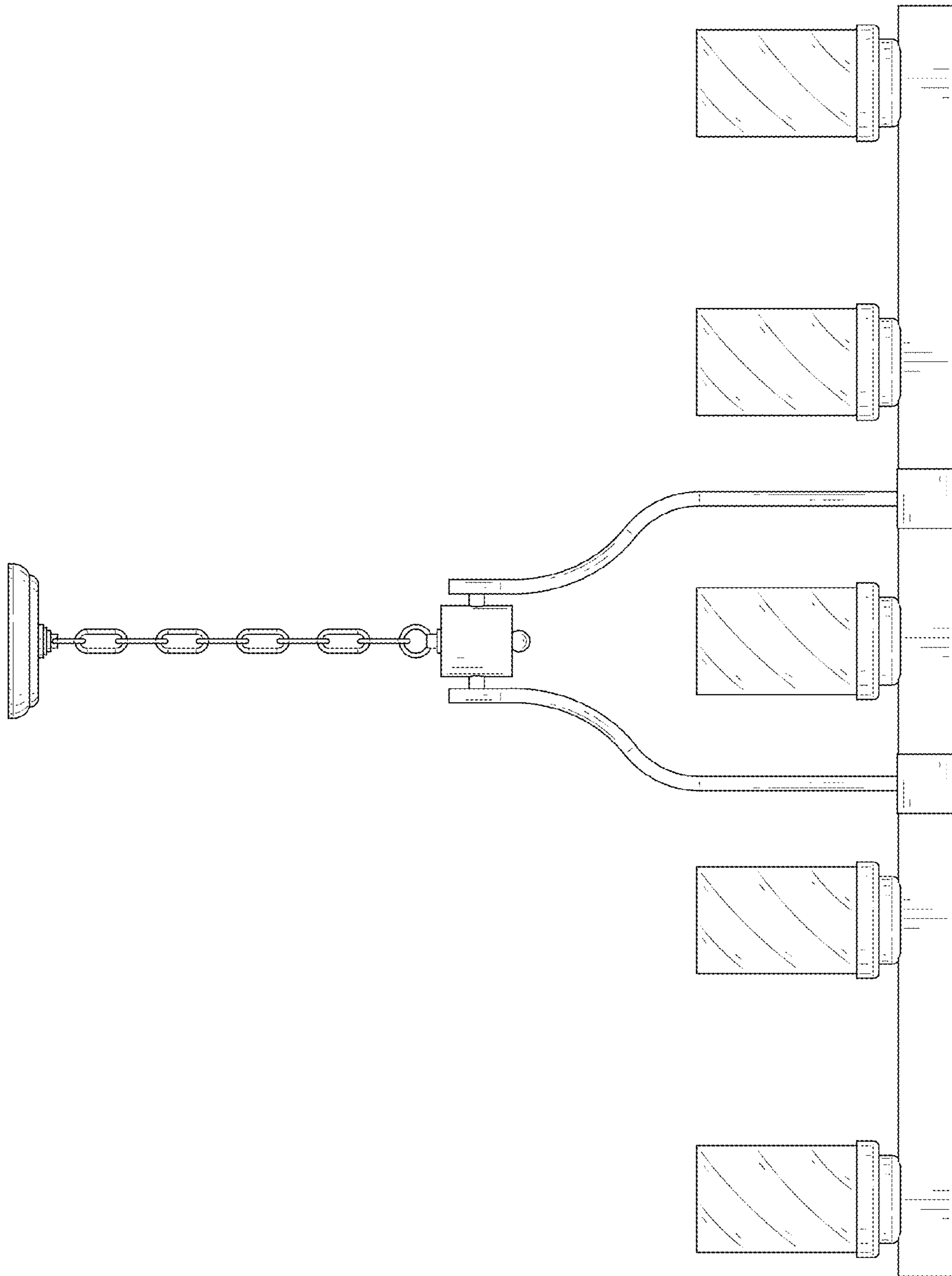


FIG. 4

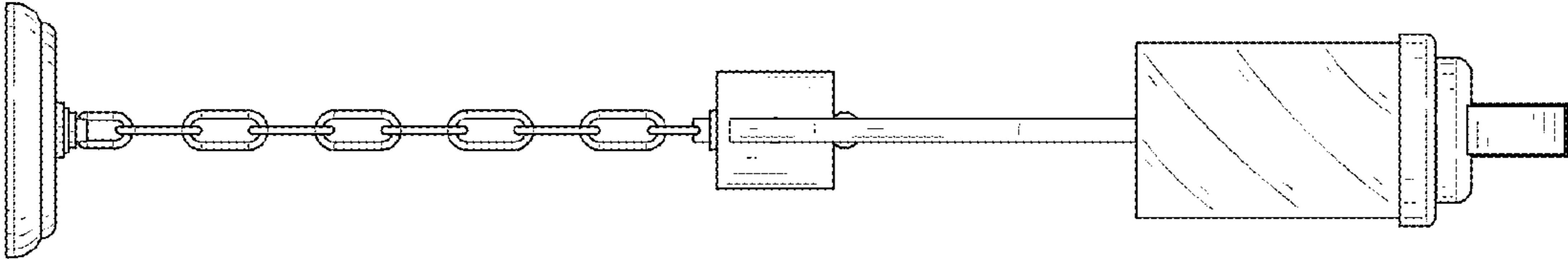


FIG. 5

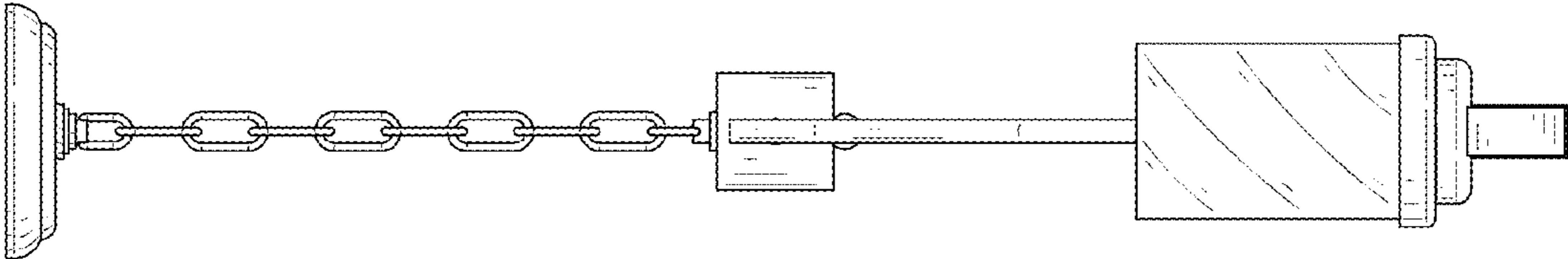


FIG. 6

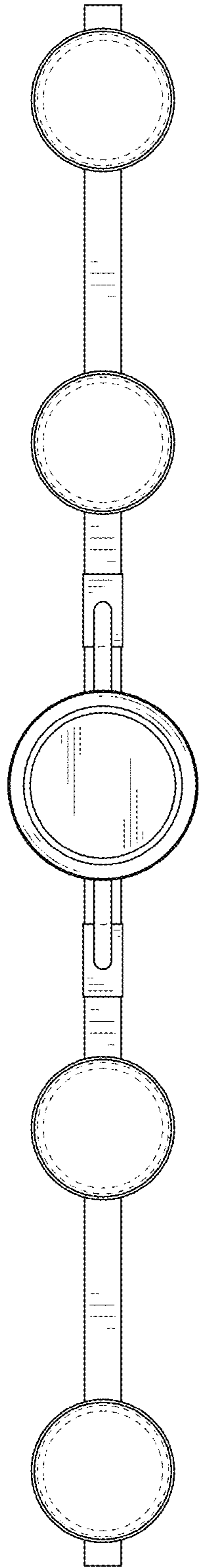


FIG. 7

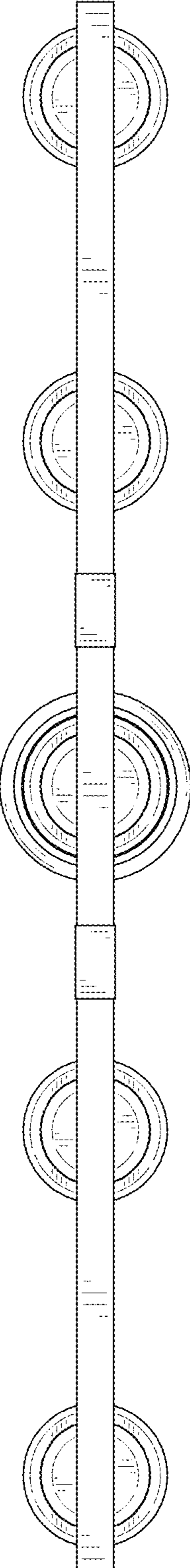


FIG. 8