



US00D978404S

(12) **United States Design Patent**  
**Joiris et al.**

(10) **Patent No.:** **US D978,404 S**  
(45) **Date of Patent:** **\*\* Feb. 14, 2023**

(54) **LUMINAIRE**  
(71) Applicant: **SCHREDER S.A.**, Brussels (BE)  
(72) Inventors: **Samuel Joiris**, Brussels (BE); **Quentin Bondu**, Brussels (BE)  
(73) Assignee: **SCHREDER S.A.**, Brussels (BE)  
(\*\*) Term: **15 Years**

D477,104 S \* 7/2003 Wang ..... D26/85  
D673,712 S \* 1/2013 Patel ..... D26/74  
D693,952 S \* 11/2013 Soni ..... D26/74  
D698,974 S \* 2/2014 Aniserowicz ..... D26/74  
D702,393 S \* 4/2014 Ansierowicz ..... D26/89  
D751,236 S \* 3/2016 Renshaw ..... D26/89  
D783,195 S \* 4/2017 Gan ..... D26/89  
D784,592 S \* 4/2017 Gan ..... D26/89  
D824,078 S \* 7/2018 Waldmann ..... D26/89  
2011/0063829 A1 \* 3/2011 Chen ..... E04B 9/0428  
362/231

(21) Appl. No.: **29/738,825**

\* cited by examiner

(22) Filed: **Jun. 19, 2020**

*Primary Examiner* — Angela J Lee

(30) **Foreign Application Priority Data**

(74) *Attorney, Agent, or Firm* — Christensen O'Connor Johnson Kindness PLLC

Dec. 20, 2019 (EM) ..... 007437371-0002  
Dec. 20, 2019 (EM) ..... 007437371-0005

(51) **LOC (14) Cl.** ..... **26-05**

(57) **CLAIM**

(52) **U.S. Cl.**  
USPC ..... **D26/74**

The ornamental design for a luminaire, as shown and described.

(58) **Field of Classification Search**

**DESCRIPTION**

USPC ..... D26/74, 72, 75, 76, 77, 78, 85, 88, 89,  
D26/118, 138, 141; 362/364, 365, 373,  
362/145, 146, 147, 148, 150, 153, 153.1,  
362/294, 296.01, 296.07, 296.08  
CPC ..... F21V 29/2262; F21V 7/06; F21V 21/044;  
F21V 21/047; F21V 29/2212; F21V  
29/2225; F21V 29/2256; F21V 29/225;  
F21V 29/2268; F21Y 2111/002; F21S  
8/02; F21S 8/026

FIG. 1 is a top-left-rear perspective view of a representative embodiment of a luminaire according to our new design; FIG. 2 is a front elevational view thereof; FIG. 3 is a rear elevational view thereof; FIG. 4 is a top plan view thereof; FIG. 5 is a bottom plan view thereof; FIG. 6 is a right side elevational view thereof; and, FIG. 7 is a left side elevational view thereof.

See application file for complete search history.

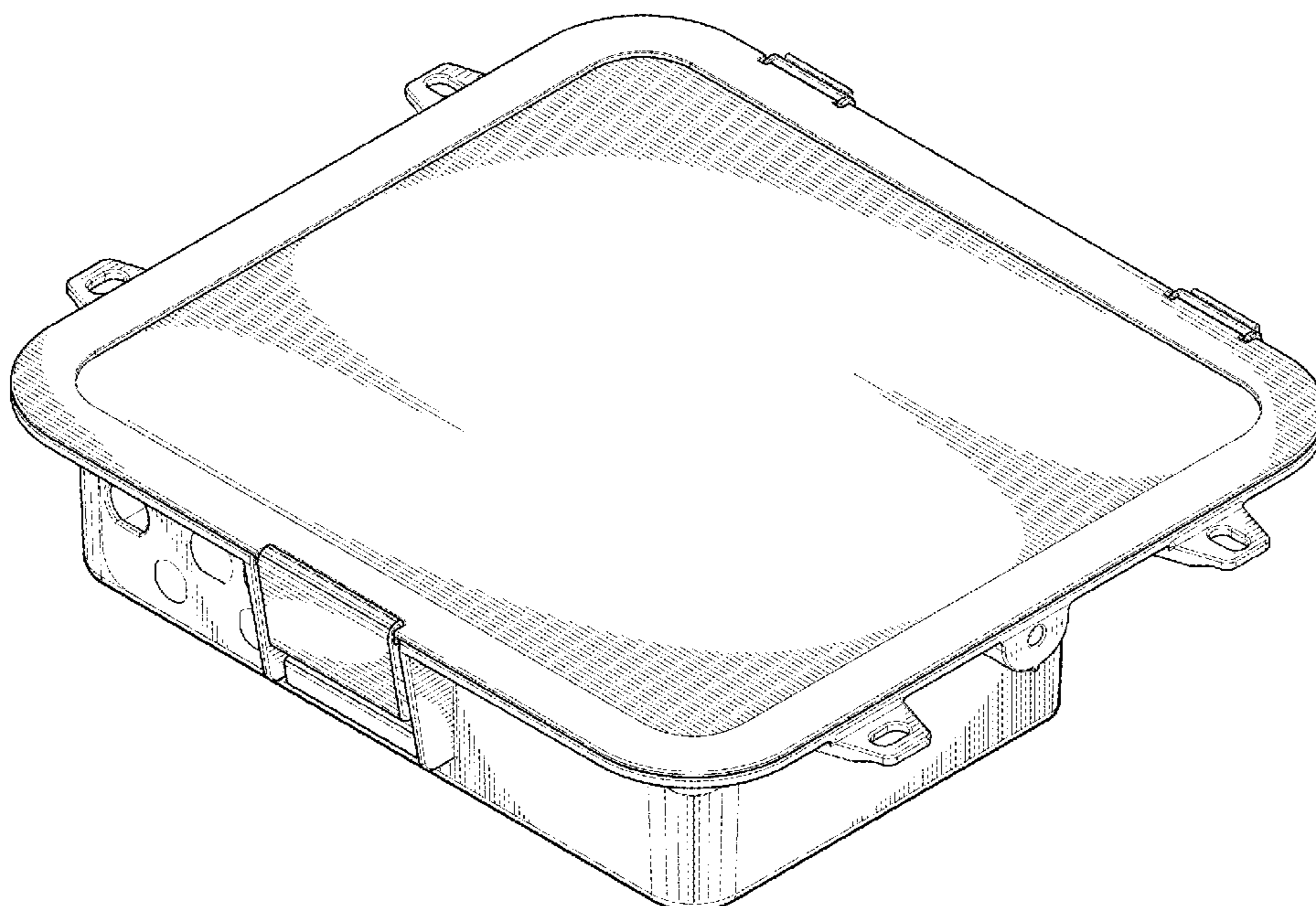
The dashed broken lines in the drawings show portions of the luminaire that form no part of the claimed design.

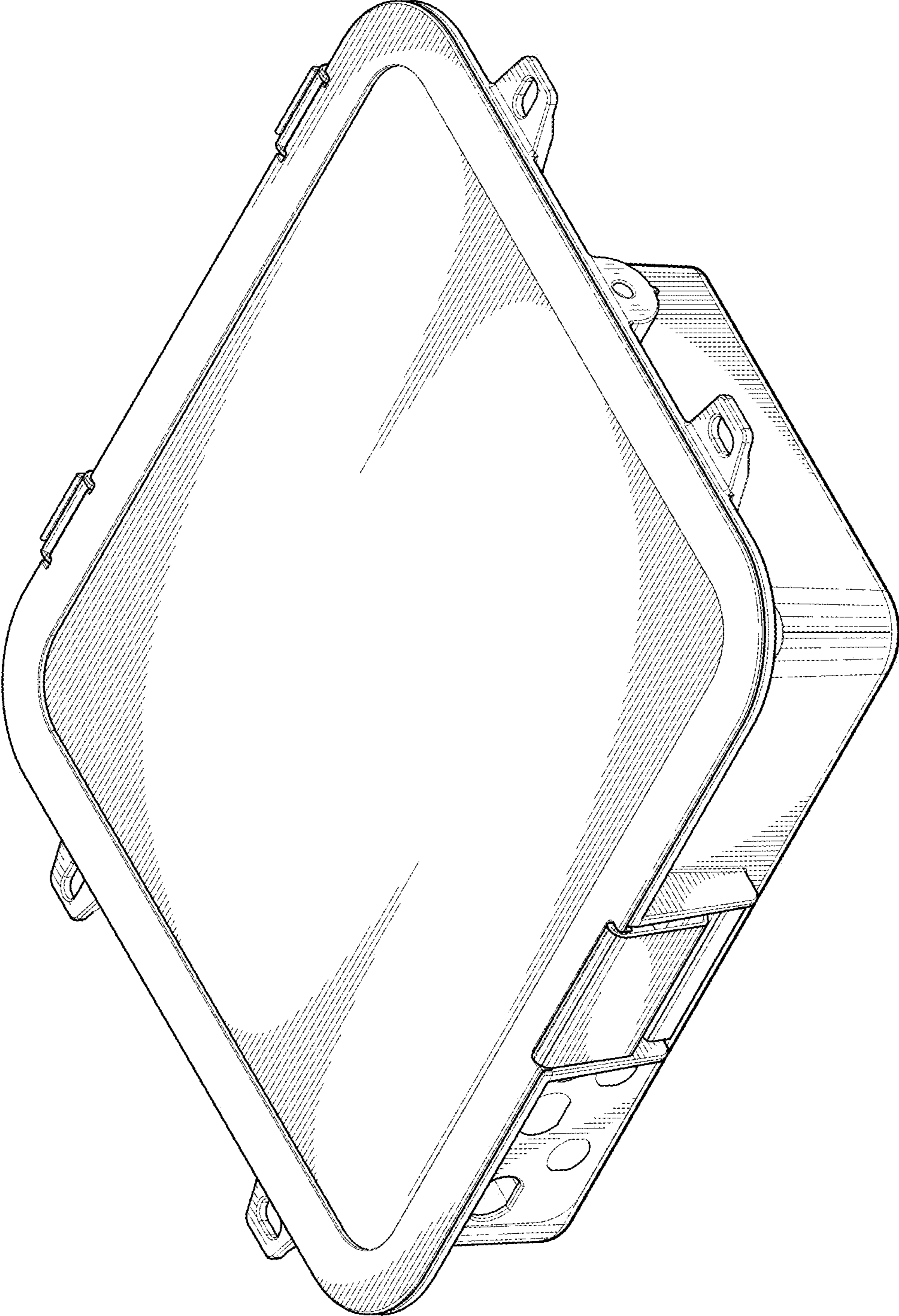
(56) **References Cited**

**1 Claim, 5 Drawing Sheets**

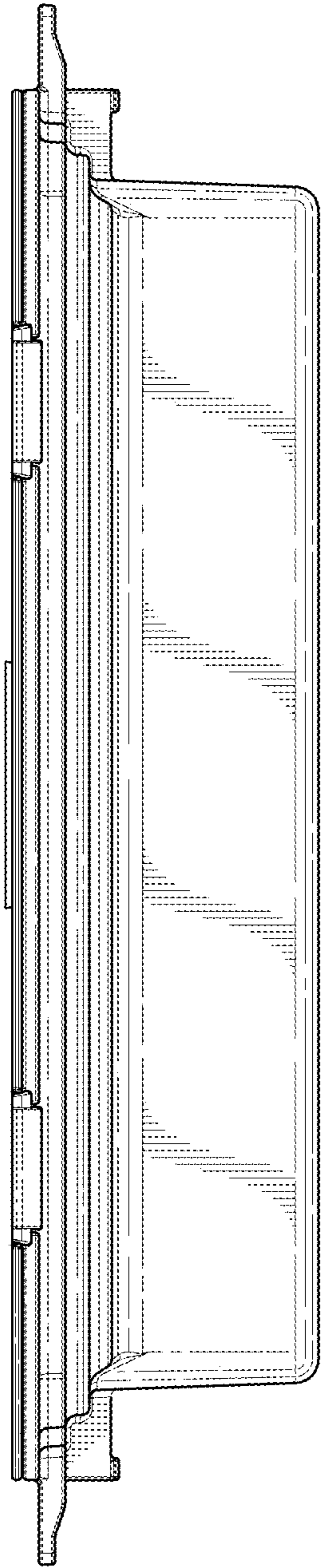
**U.S. PATENT DOCUMENTS**

D326,926 S \* 6/1992 Stephenson ..... D26/74  
D373,212 S \* 8/1996 Clark ..... D26/74

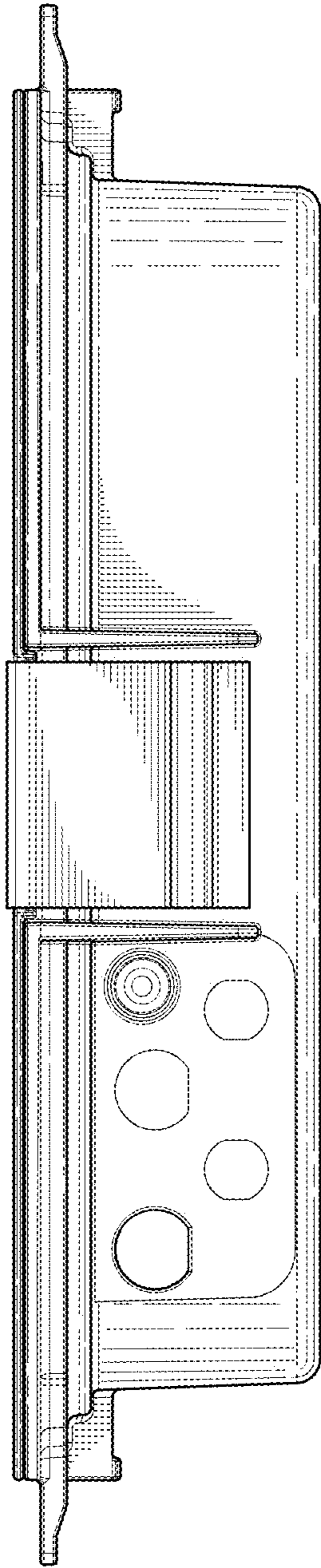




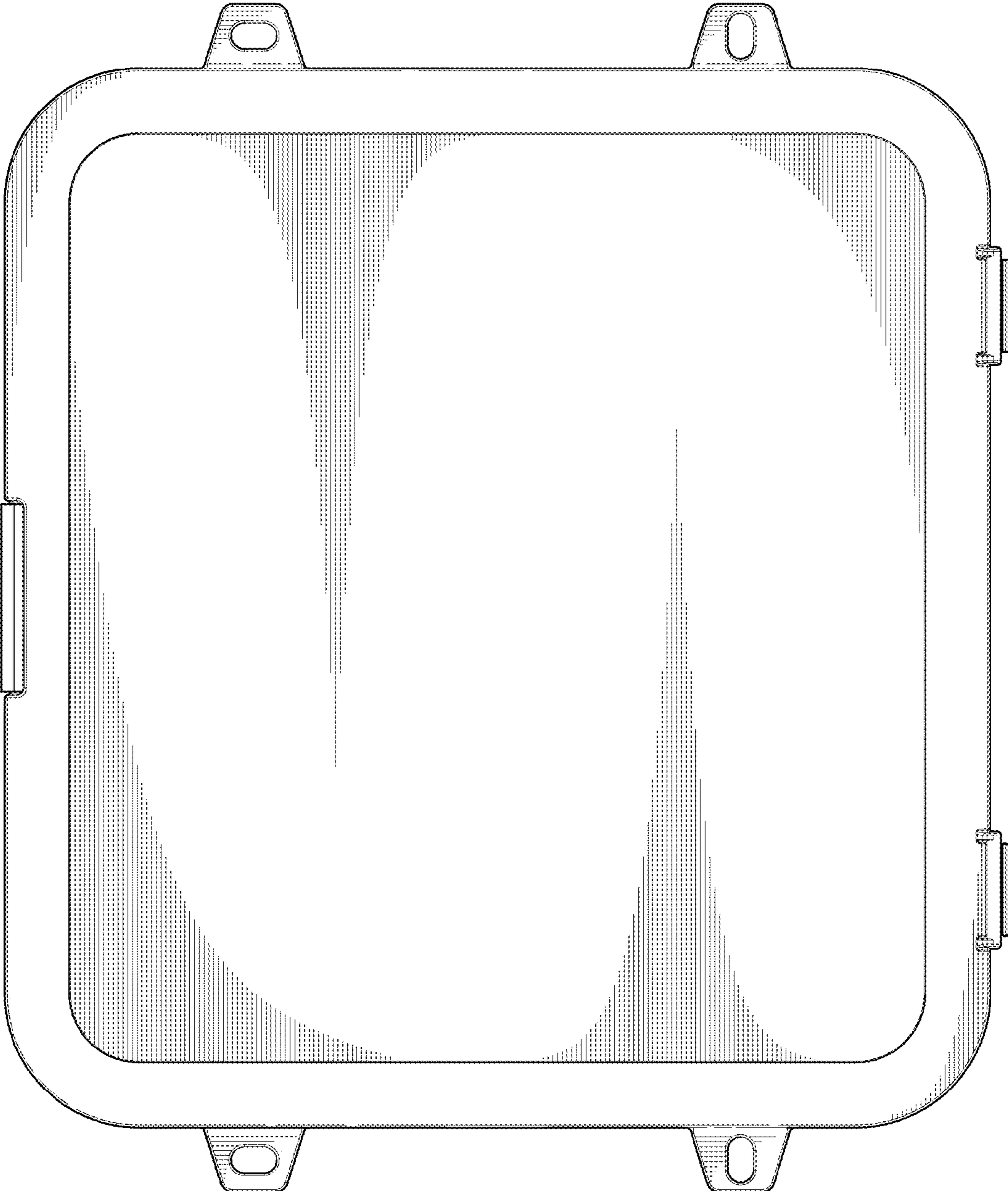
**FIG. 1**



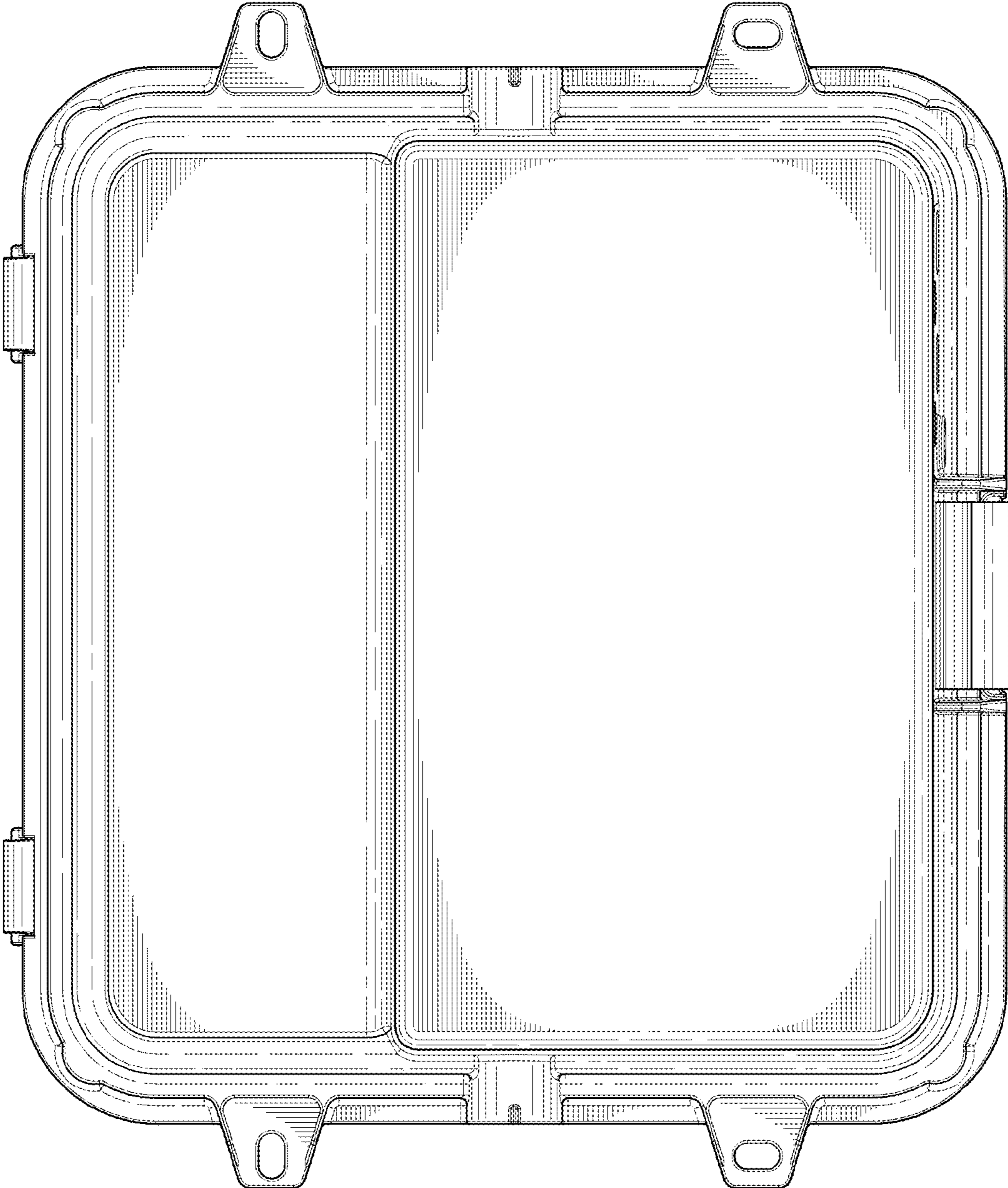
**FIG. 2**



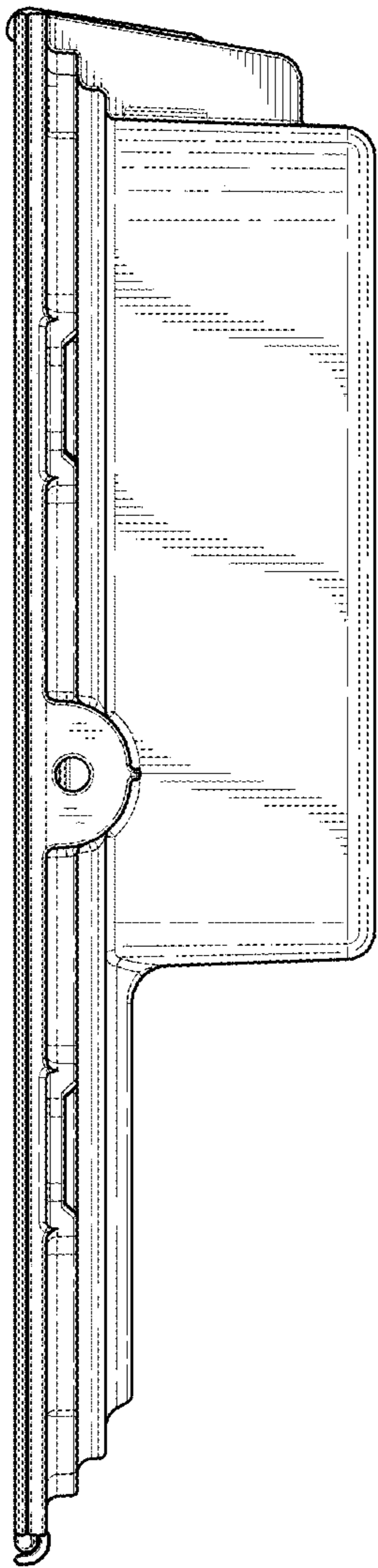
**FIG. 3**



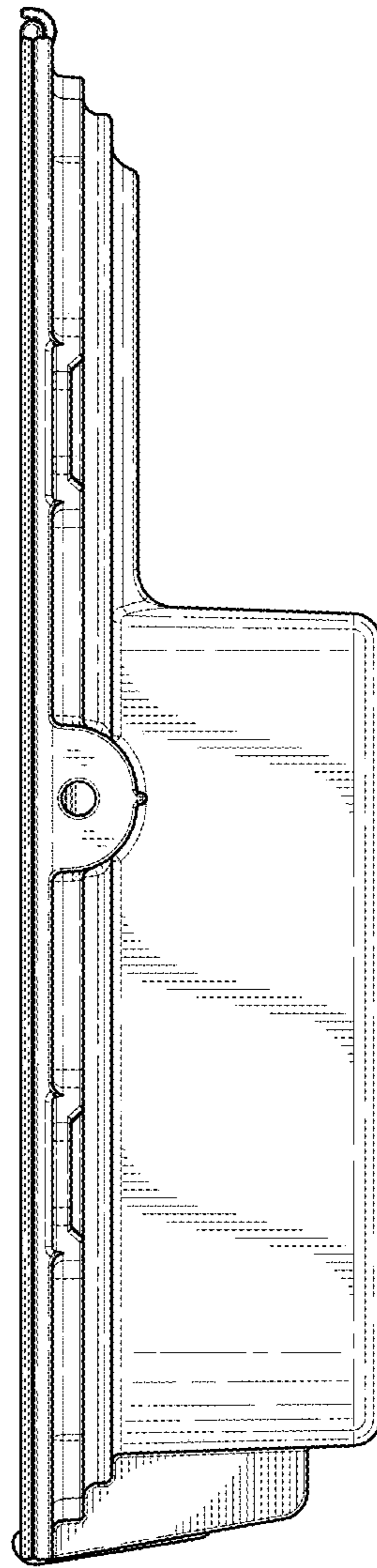
**FIG. 4**



**FIG. 5**



**FIG. 6**



**FIG. 7**