



US00D978402S

(12) **United States Design Patent**
Mai

(10) **Patent No.:** **US D978,402 S**

(45) **Date of Patent:** **** Feb. 14, 2023**

(54) **LIGHT**

(71) Applicant: **Kunhua Mai**, Zhongshan (CN)

(72) Inventor: **Kunhua Mai**, Zhongshan (CN)

(**) Term: **15 Years**

(21) Appl. No.: **29/859,006**

(22) Filed: **Nov. 7, 2022**

(51) **LOC (14) Cl.** **26-03**

(52) **U.S. Cl.**
USPC **D26/67**

(58) **Field of Classification Search**
USPC D11/117, 121, 130; D26/1, 2, 4, 24, 25,
D26/27, 57, 61, 67, 73, 94, 98, 103, 110,
D26/119, 128

CPC F21V 21/0824; F21V 5/041; F21V 5/043;
F21V 5/045; F21V 5/046; F21V 5/048;
F21V 3/02; F21V 1/14; F21V 1/143;
F21V 1/24; F21V 1/20; F21V 1/22

See application file for complete search history.

(56) **References Cited**

U.S. PATENT DOCUMENTS

D824,562 S	*	7/2018	Chen	D26/68
D862,761 S	*	10/2019	Li	D26/68
D895,876 S		9/2020	Tang		
D899,658 S	*	10/2020	Wang	D26/67
D899,659 S		10/2020	Wang		

D906,564 S	*	12/2020	Wu	D26/67
D924,458 S		7/2021	Tang		
D947,435 S	*	3/2022	Li	D26/67
D964,625 S	*	9/2022	Shen	D26/67
D965,840 S	*	10/2022	Mai	D13/102
D965,841 S	*	10/2022	Liu	D13/102
D967,487 S	*	10/2022	Xu	D26/67
D968,670 S	*	11/2022	Yuan	D26/67
D969,378 S	*	11/2022	Jiang	D26/67
D970,772 S	*	11/2022	Qin	D26/67

* cited by examiner

Primary Examiner — Michael A. Pratt

(74) *Attorney, Agent, or Firm* — Runit Ranjit Kanakia

(57) **CLAIM**

The ornamental design for a light, as shown and described.

DESCRIPTION

FIG. 1 is a first perspective view of a light showing my new design;

FIG. 2 is a second perspective view thereof;

FIG. 3 is a front view thereof;

FIG. 4 is a back view thereof;

FIG. 5 is a left side view thereof;

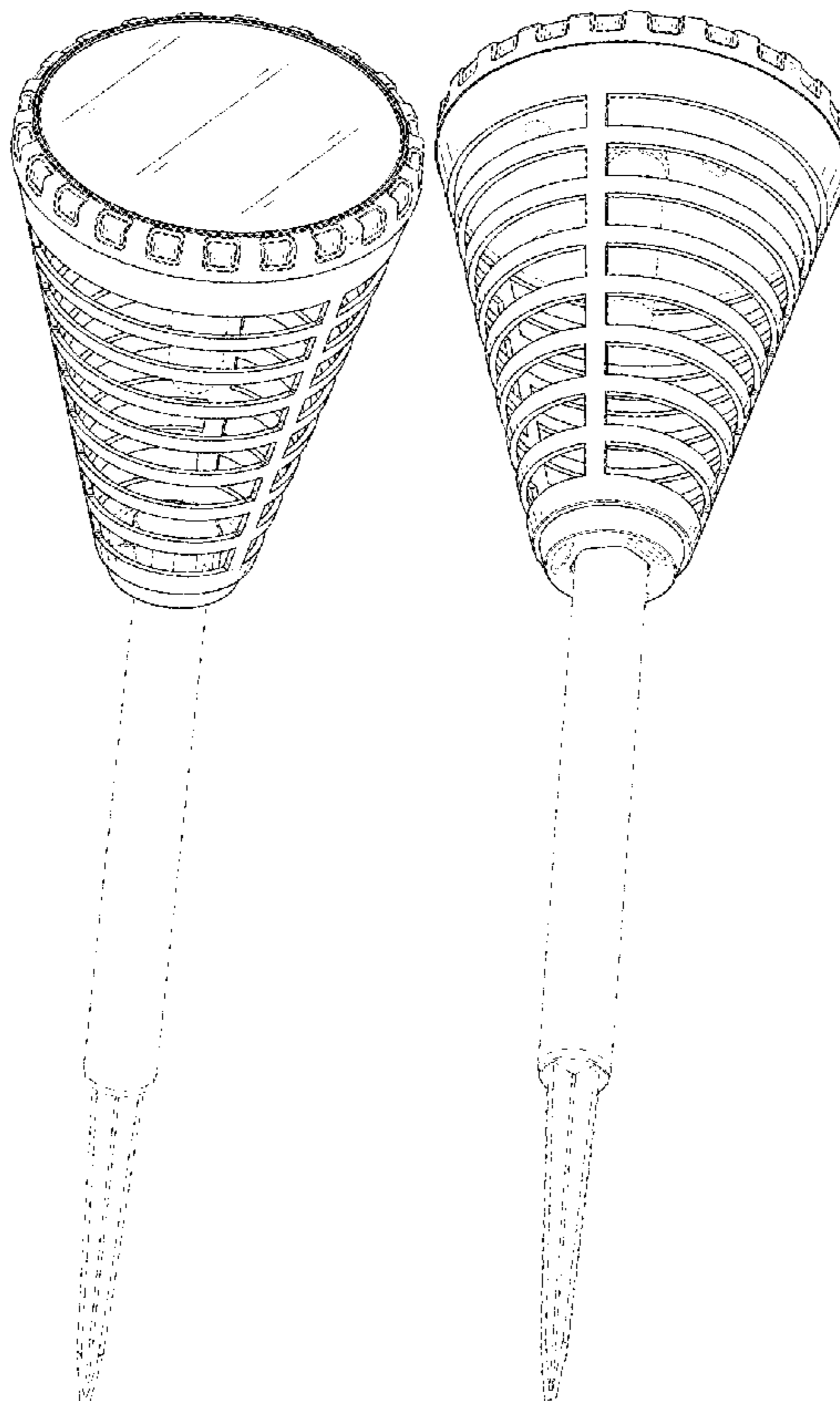
FIG. 6 is a right side view thereof;

FIG. 7 is a top view thereof; and,

FIG. 8 is a bottom view thereof.

The broken lines shown in the drawings depict portions of the light that form no part of the claimed design.

1 Claim, 8 Drawing Sheets



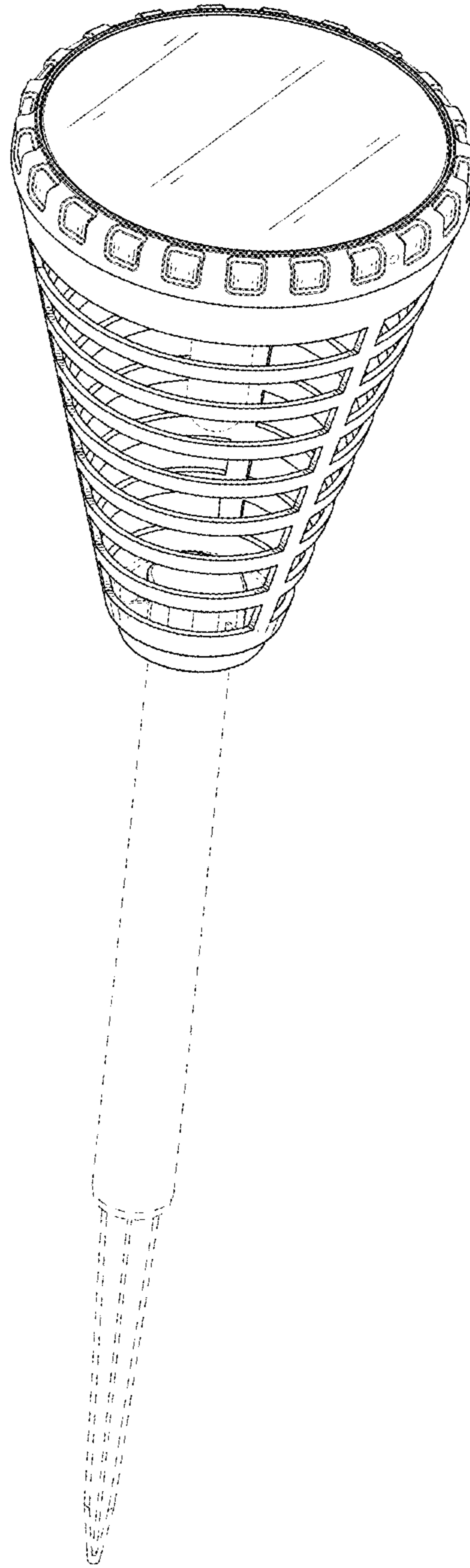


FIG. 1

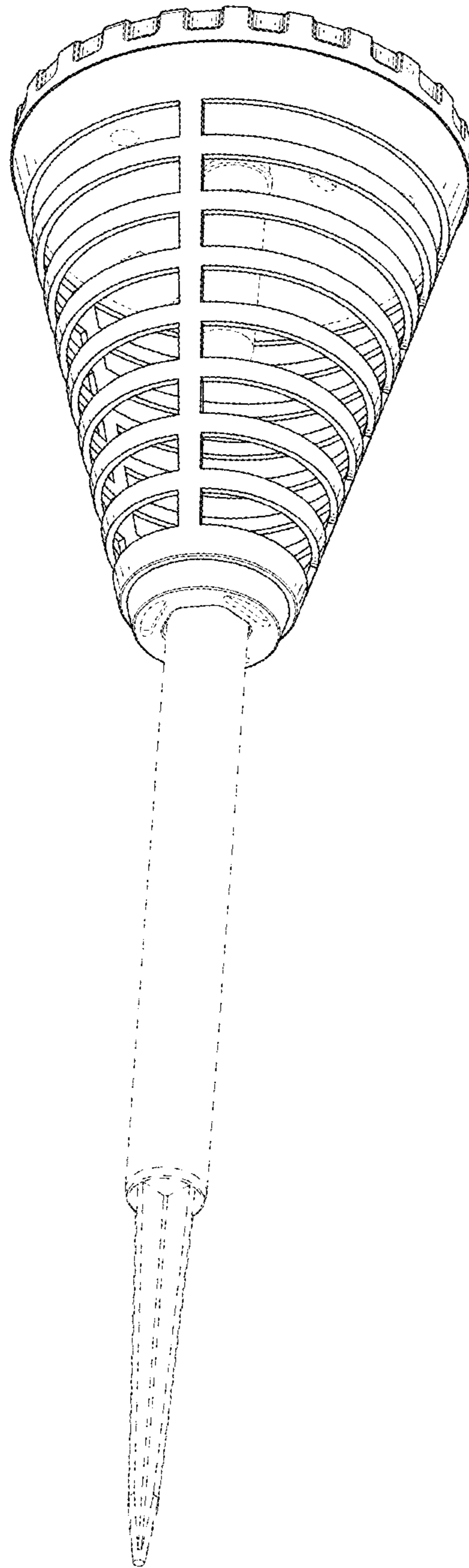


FIG. 2

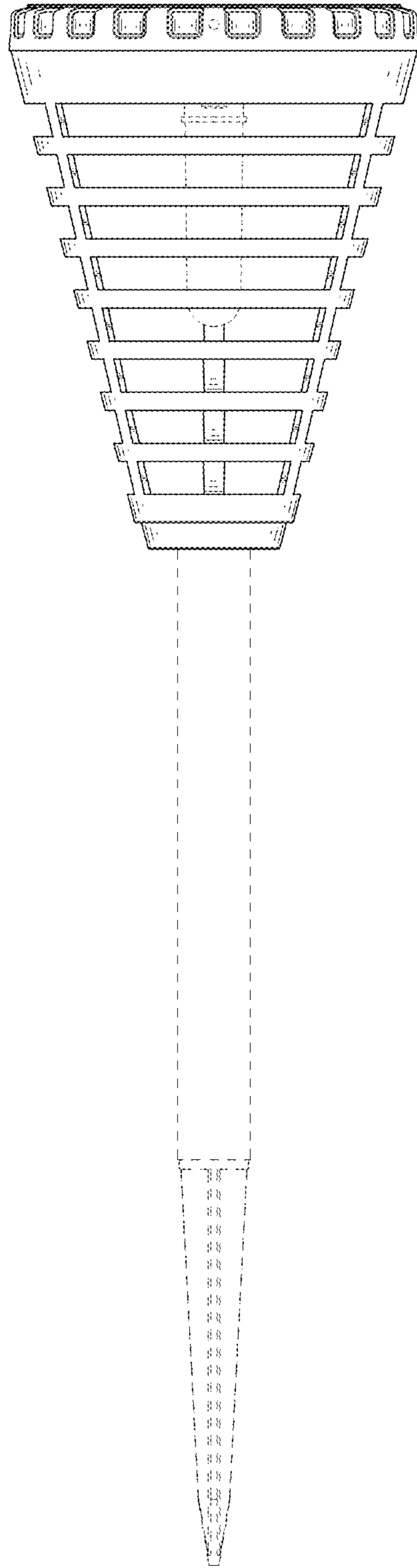


FIG. 3

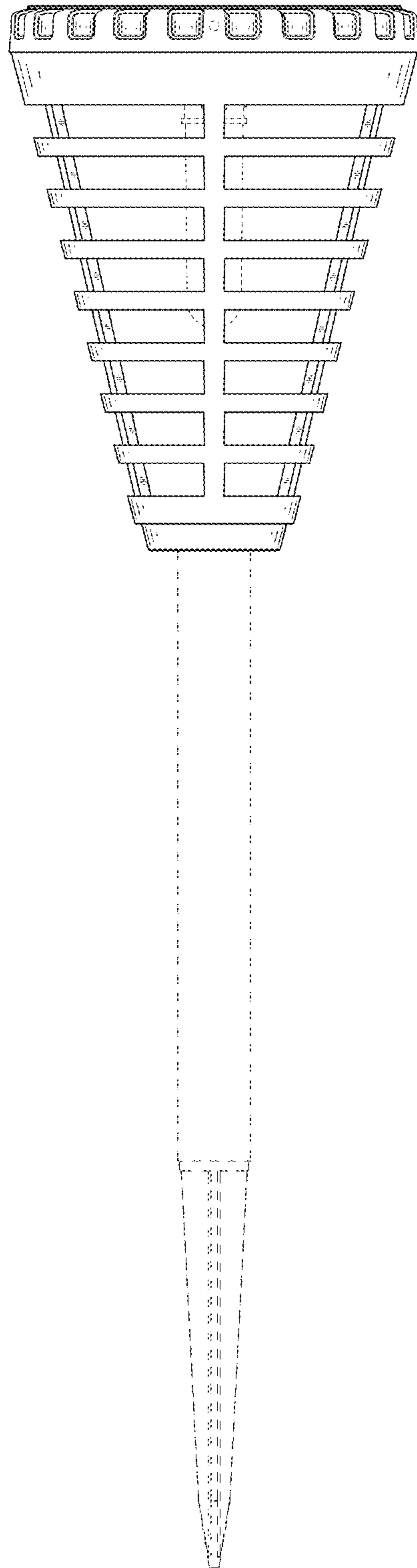


FIG. 4

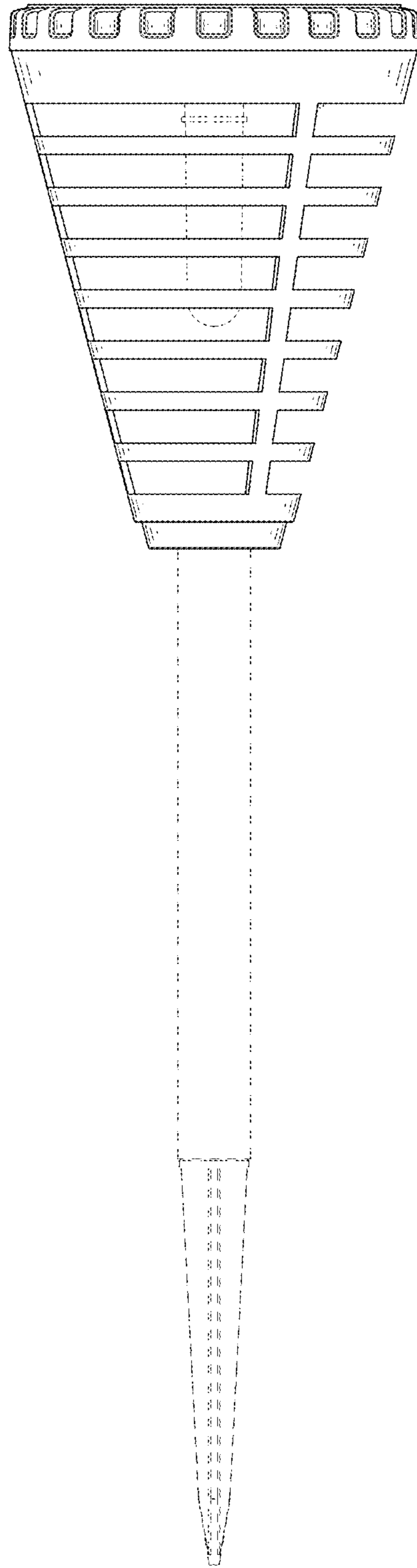


FIG. 5

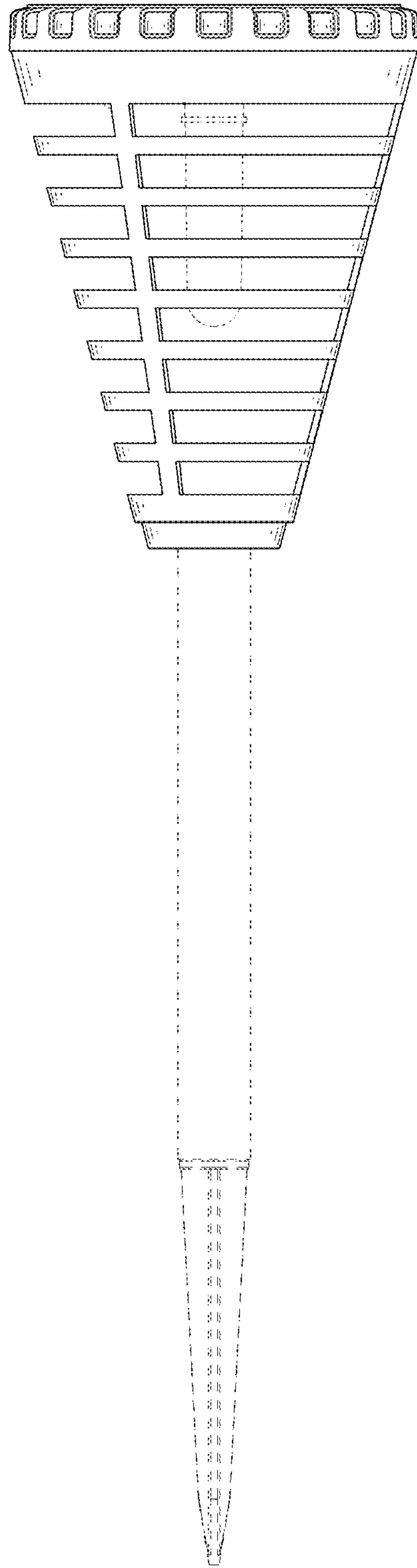


FIG. 6

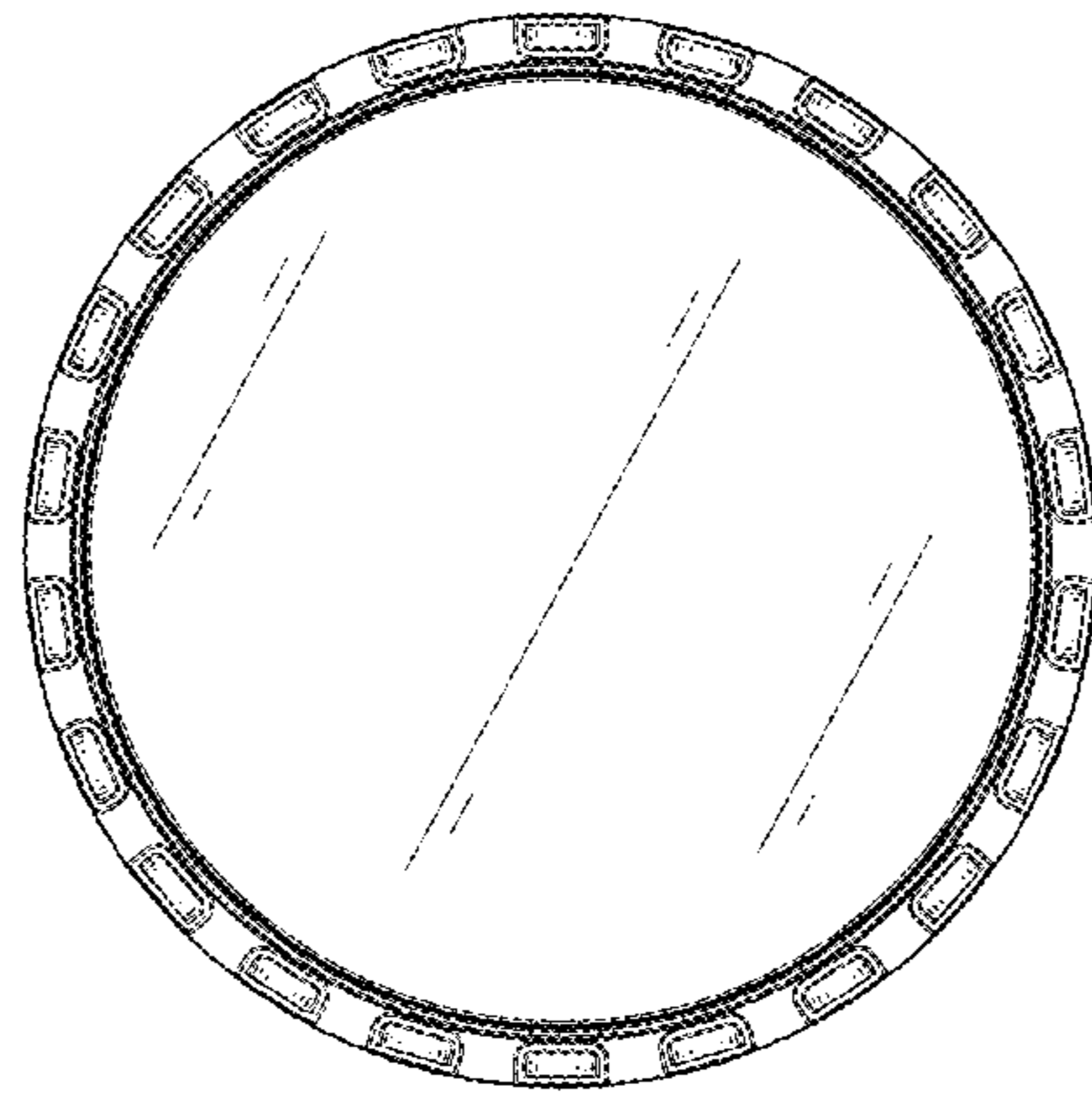


FIG. 7

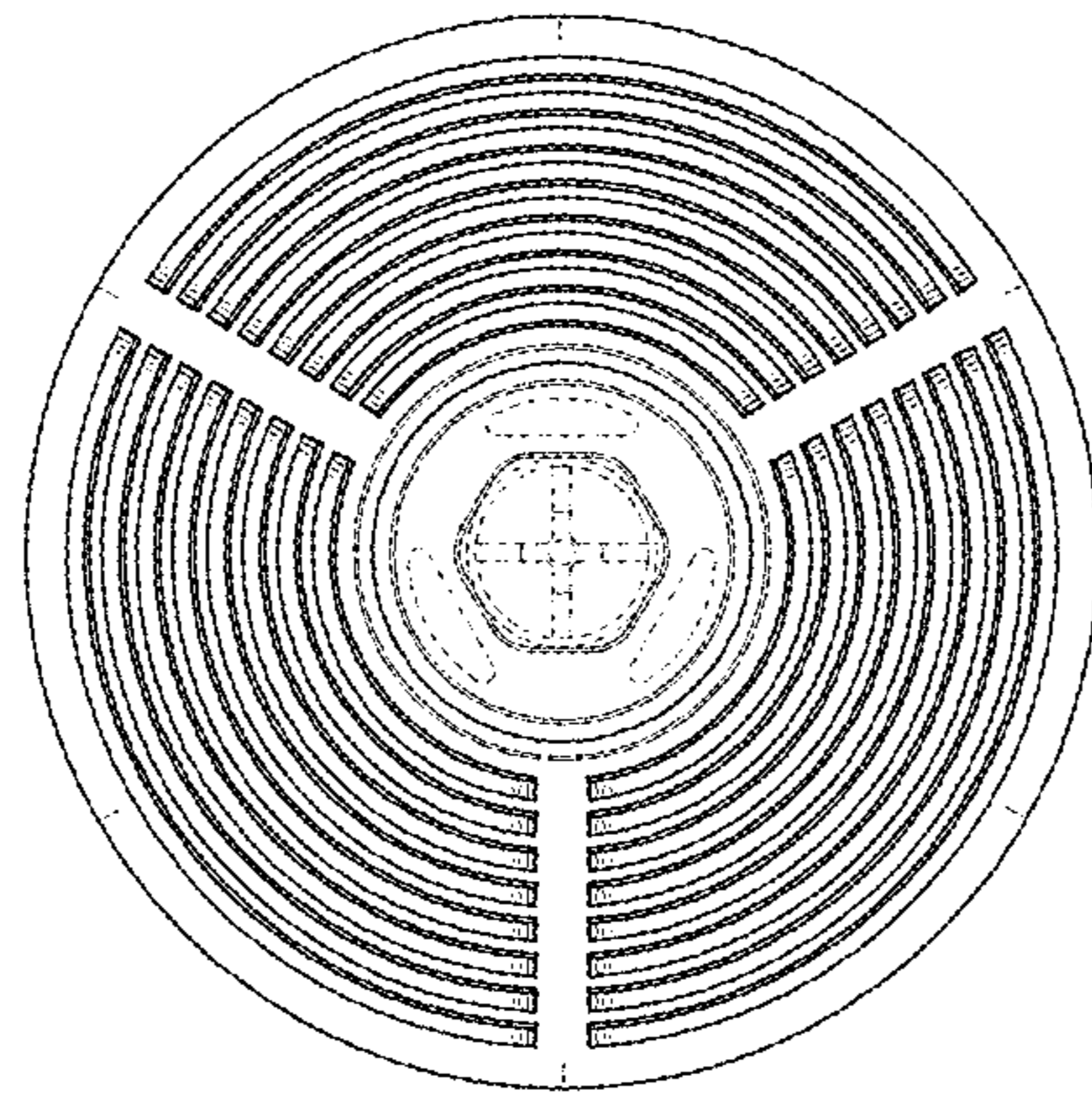


FIG. 8