



US00D978400S

(12) **United States Design Patent** (10) **Patent No.:** **US D978,400 S**  
**Wu** (45) **Date of Patent:** **\*\* Feb. 14, 2023**

(54) **SOLAR GARDEN LAMP**  
(71) Applicant: **Hanxiang Wu, Jiujiang (CN)**  
(72) Inventor: **Hanxiang Wu, Jiujiang (CN)**

D925,084 S \* 7/2021 Chen ..... D26/63  
D925,100 S \* 7/2021 Hui ..... D26/68  
D930,225 S \* 9/2021 Jiang ..... D26/68  
D930,889 S \* 9/2021 Liu ..... D26/68  
D944,434 S \* 2/2022 Li ..... D26/63

(\*\*) Term: **15 Years**

**OTHER PUBLICATIONS**

(21) Appl. No.: **29/802,990**

Amazon.com, AloftSun Motion Sensor Solar Landscape Spotlights 30 LEDs, Dec. 7, 2021, <https://www.amazon.com/dp/B09N6YVJQ9> (Year: 2021).\*

(22) Filed: **Aug. 10, 2021**

\* cited by examiner

(51) **LOC (14) Cl.** ..... **26-05**

(52) **U.S. Cl.**  
USPC ..... **D26/63**

*Primary Examiner* — Nathan M Johnston  
(74) *Attorney, Agent, or Firm* — Che-Yang Chen; Law Office of Michael Chen

(58) **Field of Classification Search**  
USPC ..... D26/63, 67–71  
CPC .... F21S 8/08; F21S 8/081; F21S 8/083; F21S 8/088; F21S 9/03; F21S 9/037; F21V 21/0824; F21W 2111/02; F21W 2131/109  
See application file for complete search history.

(57) **CLAIM**

The ornamental design for a solar garden lamp, as shown and described.

**DESCRIPTION**

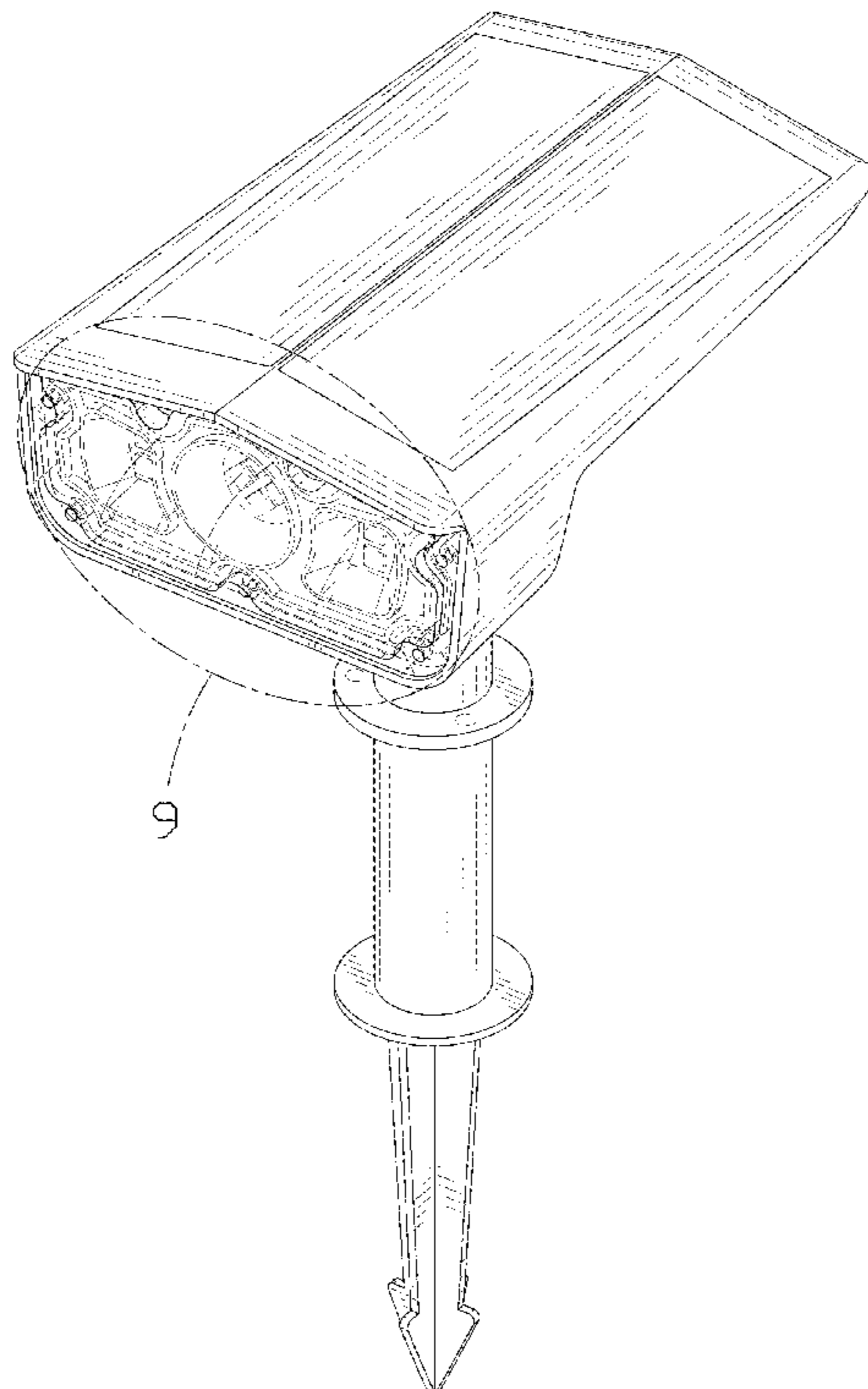
(56) **References Cited**

**U.S. PATENT DOCUMENTS**

D542,959 S 5/2007 Yao  
D551,789 S \* 9/2007 Mullen ..... D26/68  
D839,472 S \* 1/2019 Hu ..... D26/118  
D859,718 S \* 9/2019 Groat ..... D26/63  
D868,330 S 11/2019 Ji  
D875,289 S \* 2/2020 Hu ..... D26/63  
D887,059 S 6/2020 Liu  
D903,921 S \* 12/2020 Zhuo ..... D26/63  
D905,312 S \* 12/2020 Zhuo ..... D26/63  
D921,261 S 6/2021 Qiu  
D922,646 S \* 6/2021 Huang ..... D26/63  
D923,845 S \* 6/2021 Kong ..... D26/63

FIG. 1 is a perspective view of the solar garden lamp showing my new design;  
FIG. 2 is a perspective view thereof from another angle;  
FIG. 3 is a front elevational view thereof;  
FIG. 4 is a rear elevational view thereof;  
FIG. 5 is a left side elevational view thereof;  
FIG. 6 is a right side elevational view thereof;  
FIG. 7 is a top plan view thereof;  
FIG. 8 is a bottom plan view thereof; and,  
FIG. 9 is a partial enlarged view of the top portion of the solar garden lamp in FIG. 1.  
The broken lines show portions of the solar garden lamp that form no part of the claimed design.

**1 Claim, 9 Drawing Sheets**



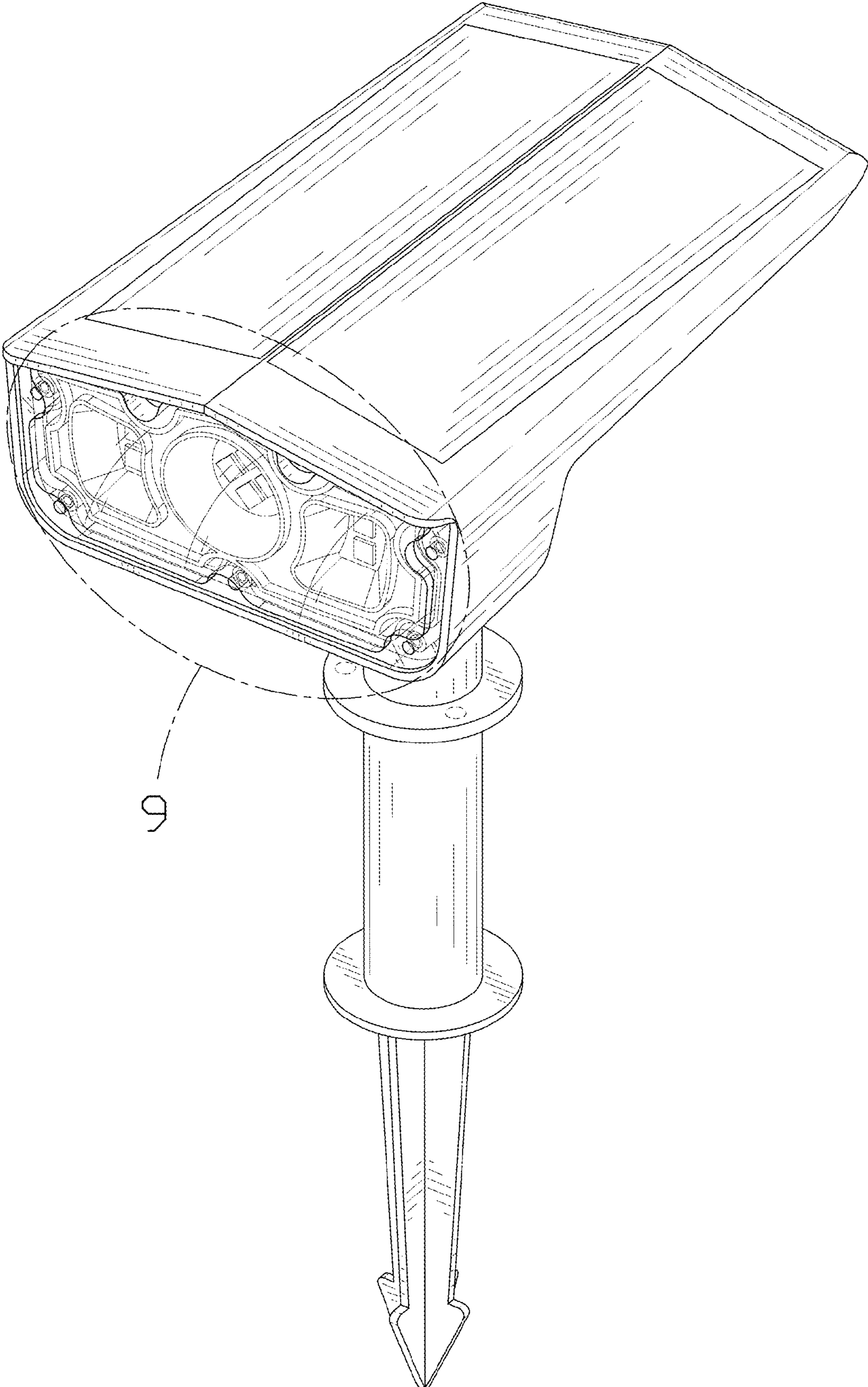


FIG. 1

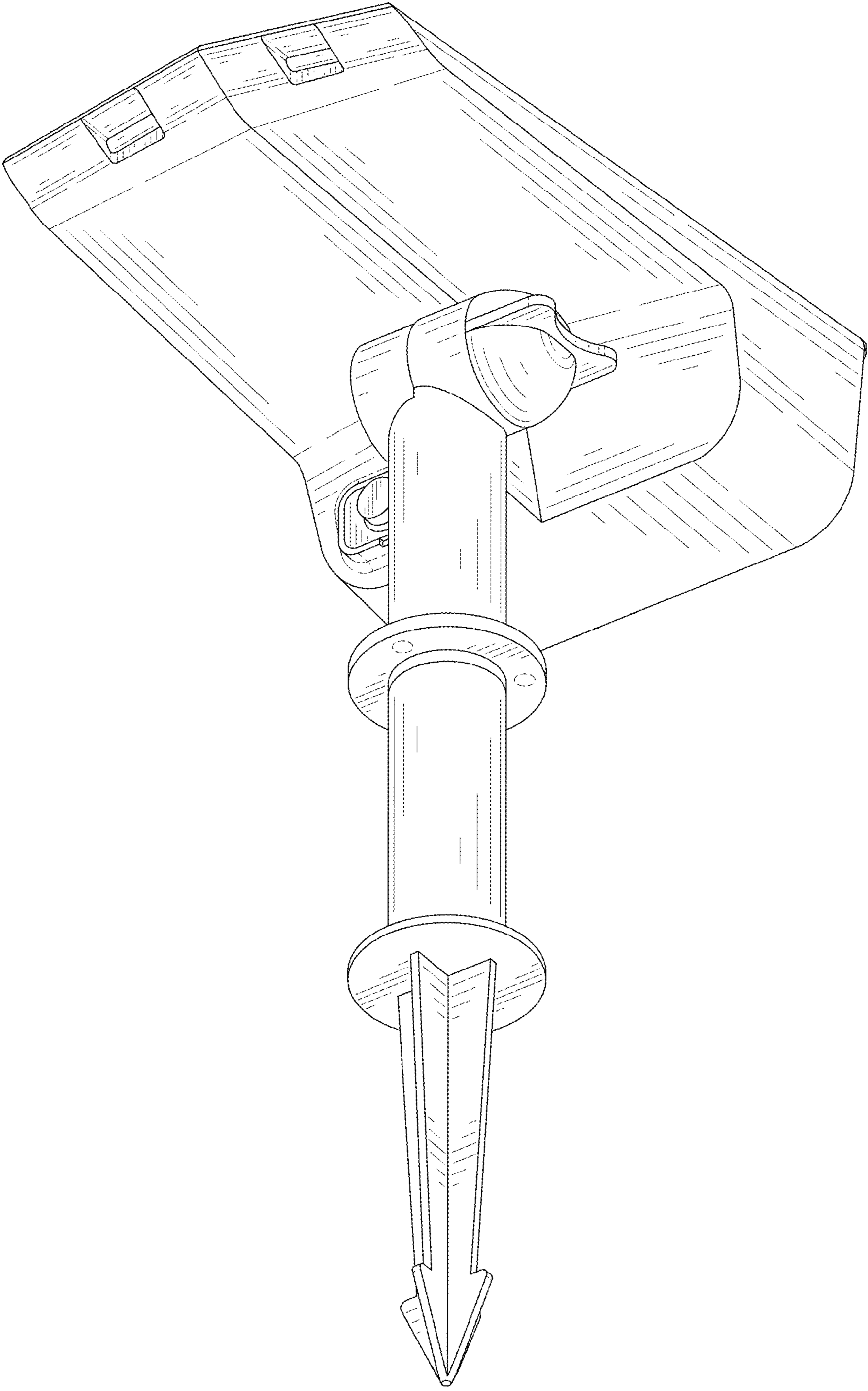


FIG. 2

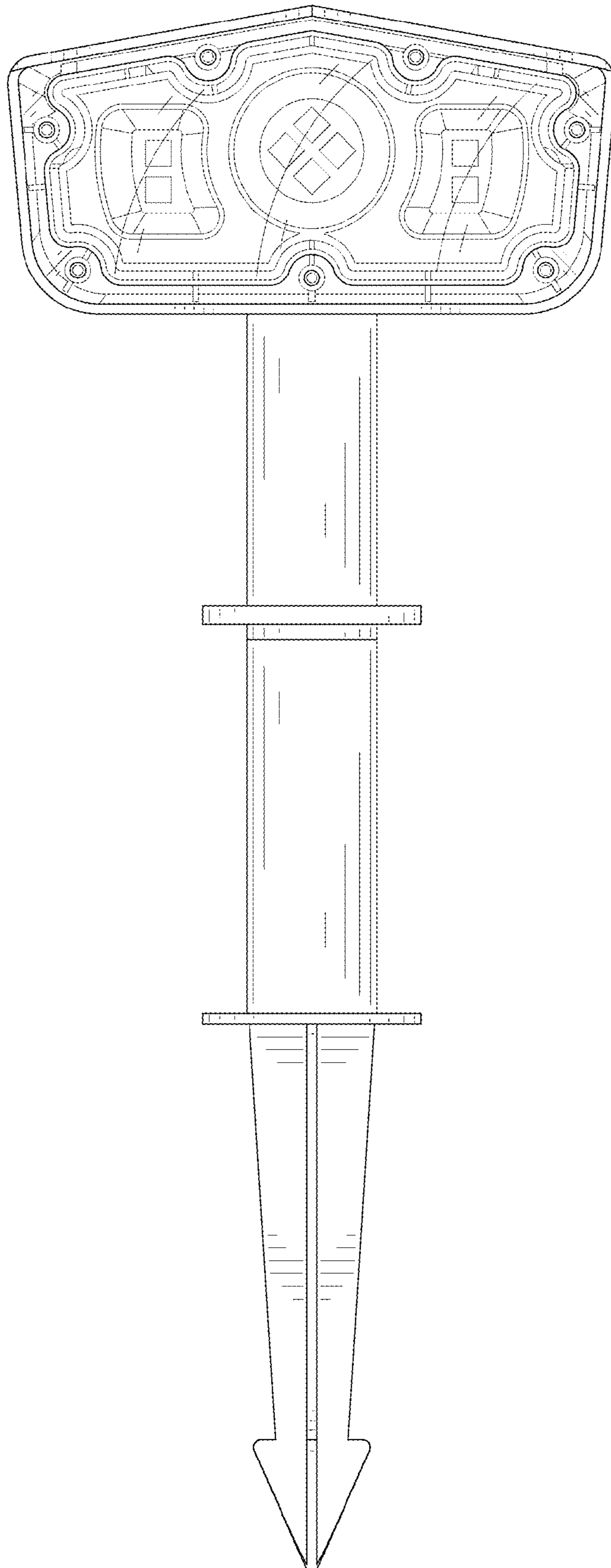


FIG. 3

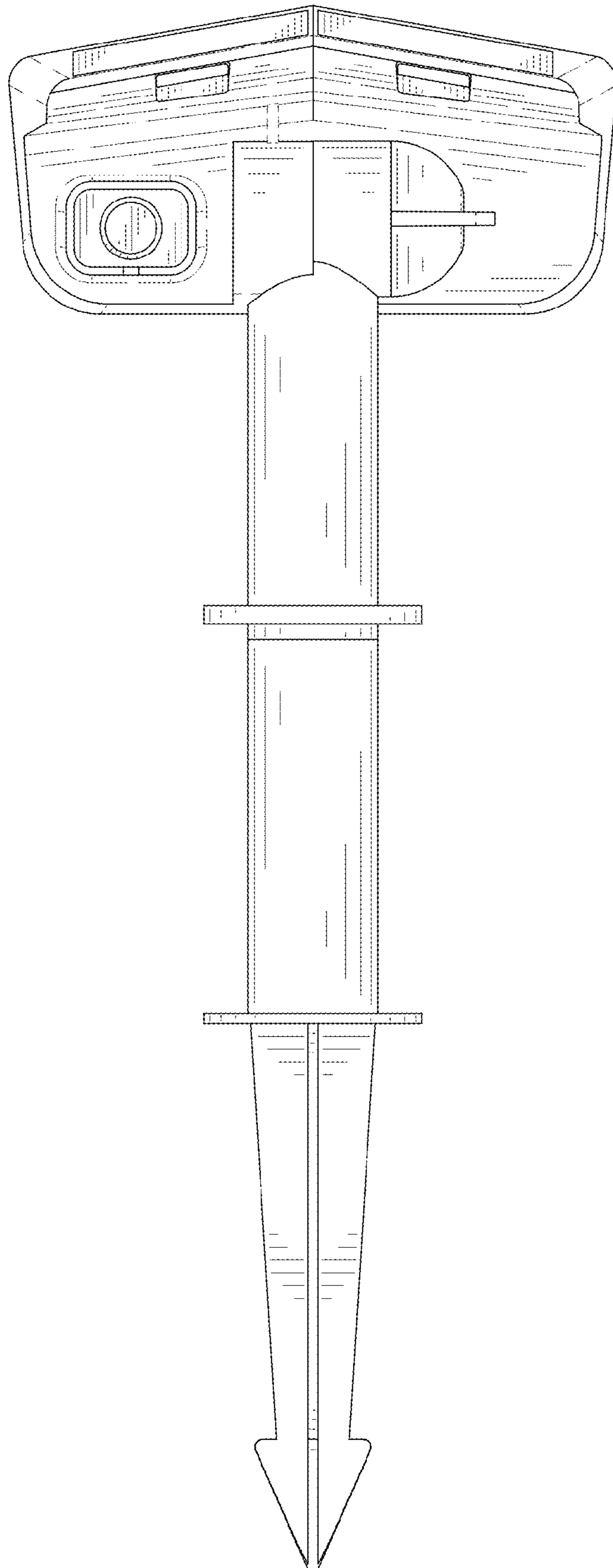


FIG. 4

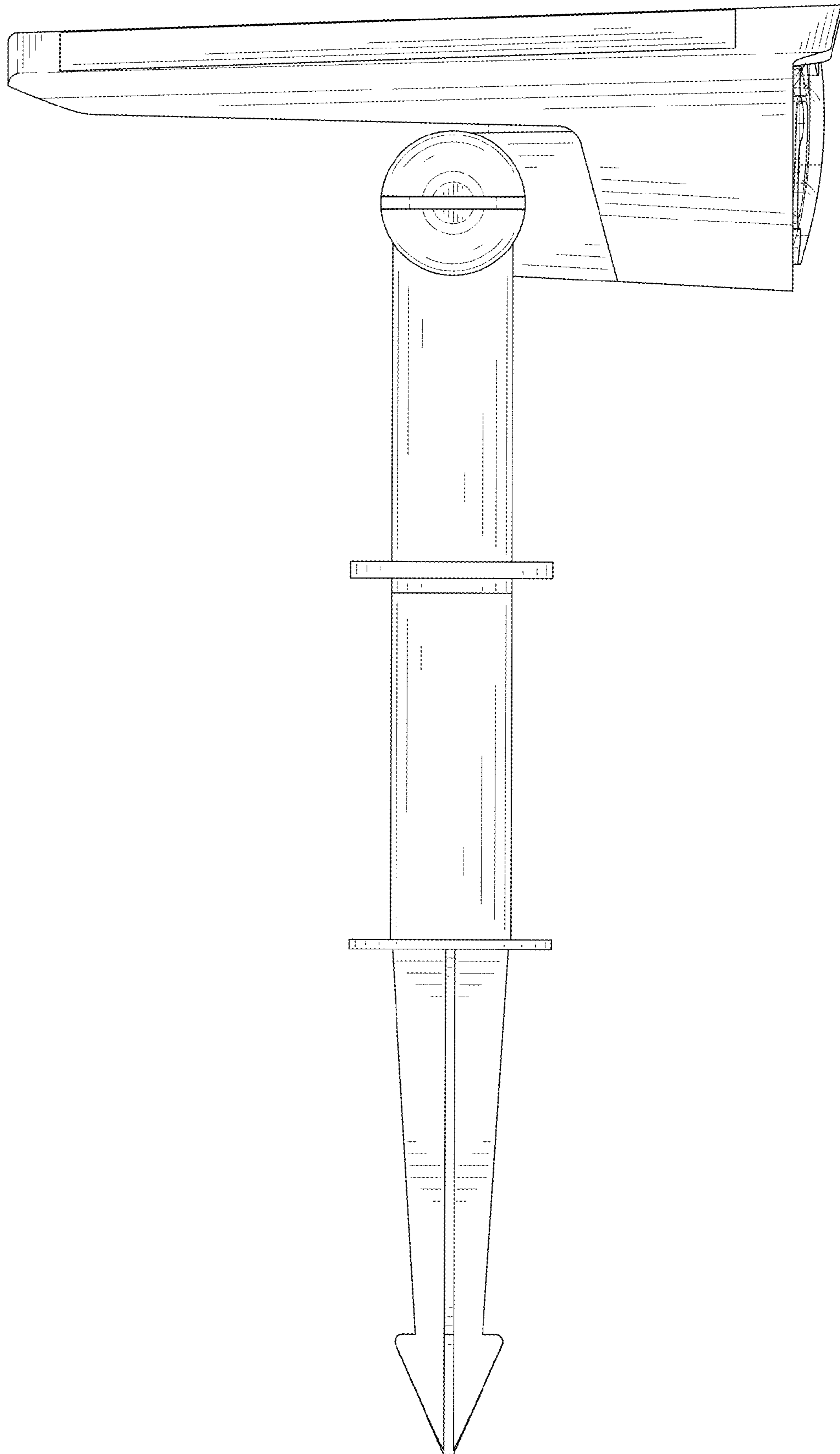


FIG. 5

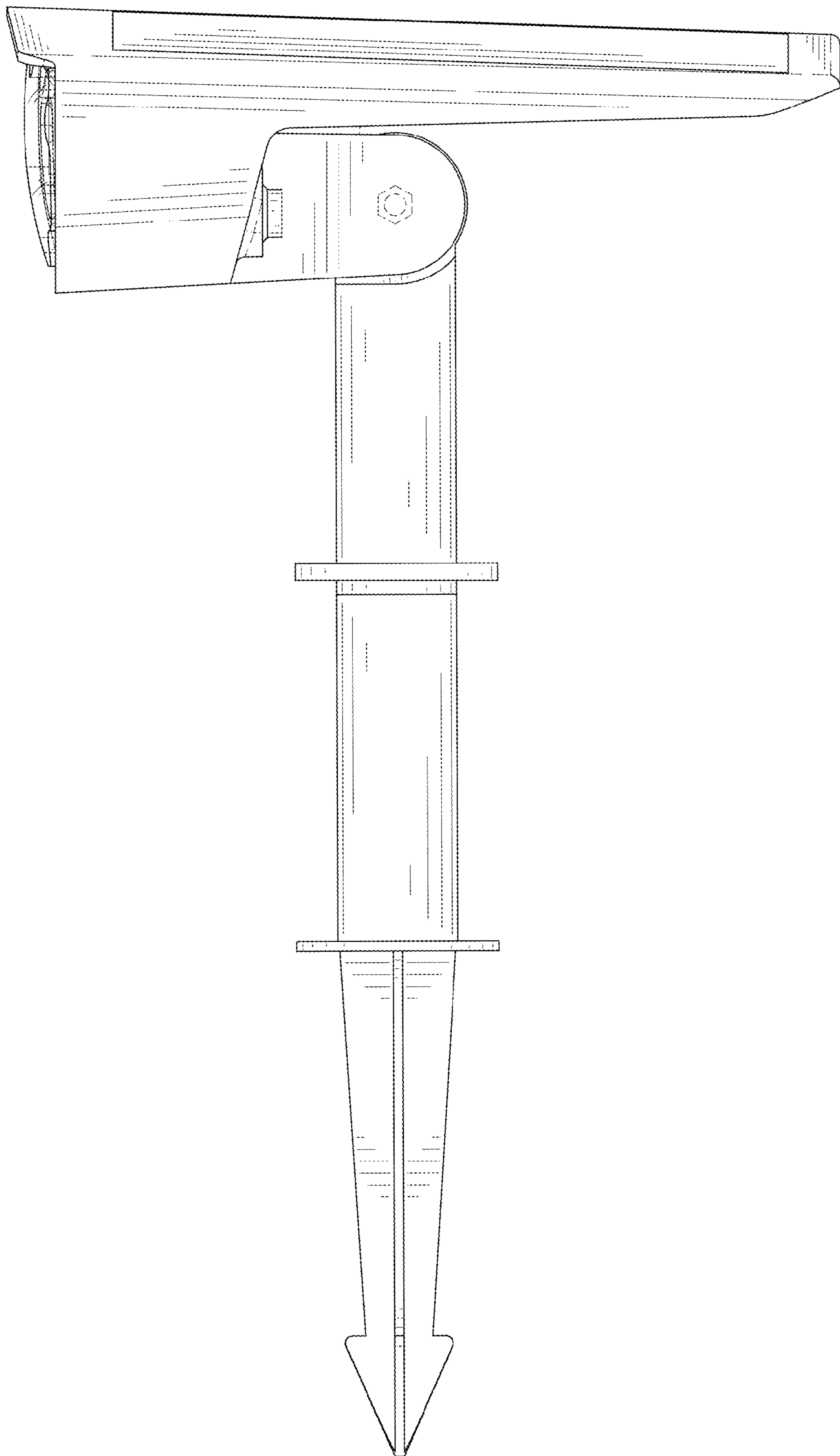


FIG. 6

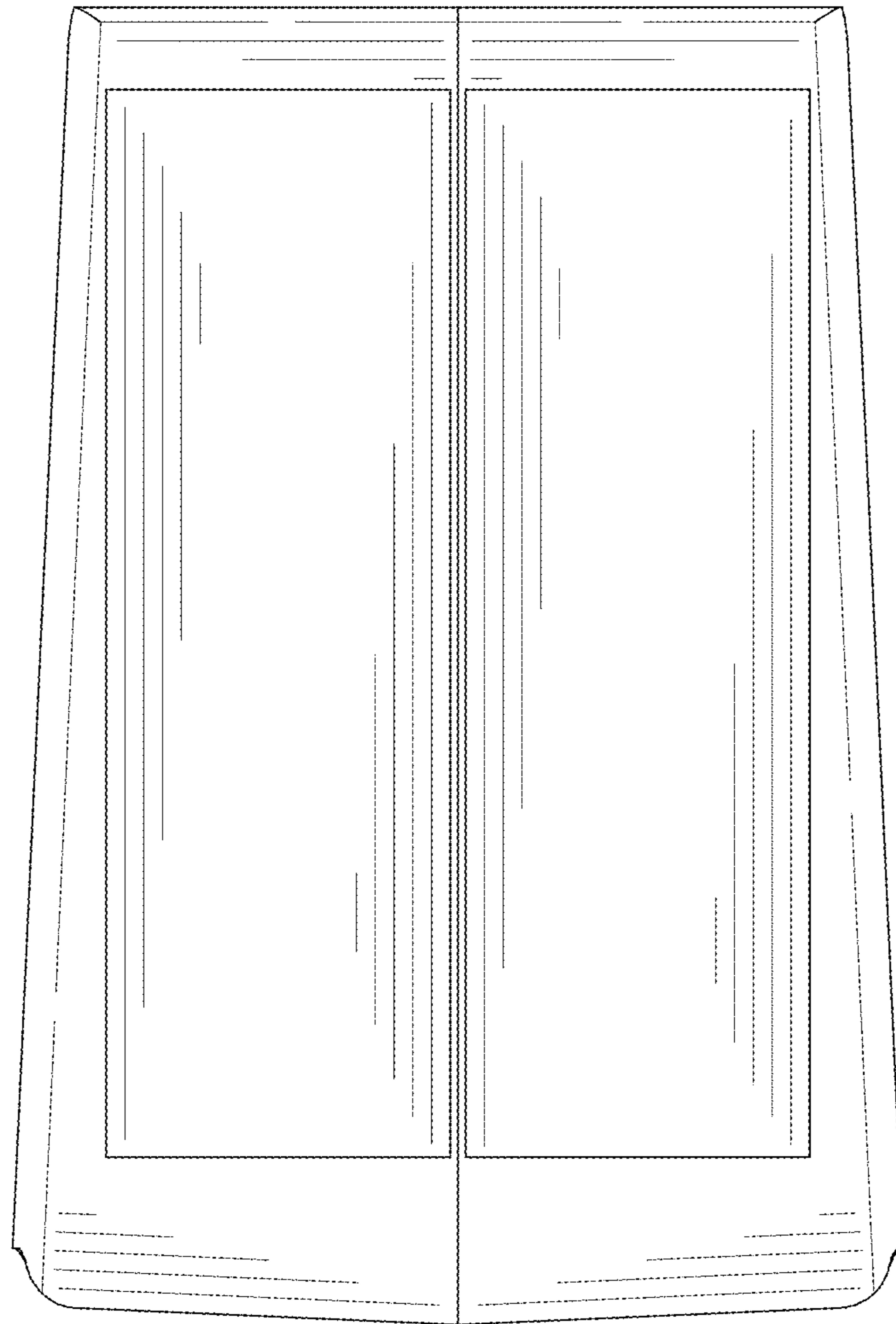


FIG. 7



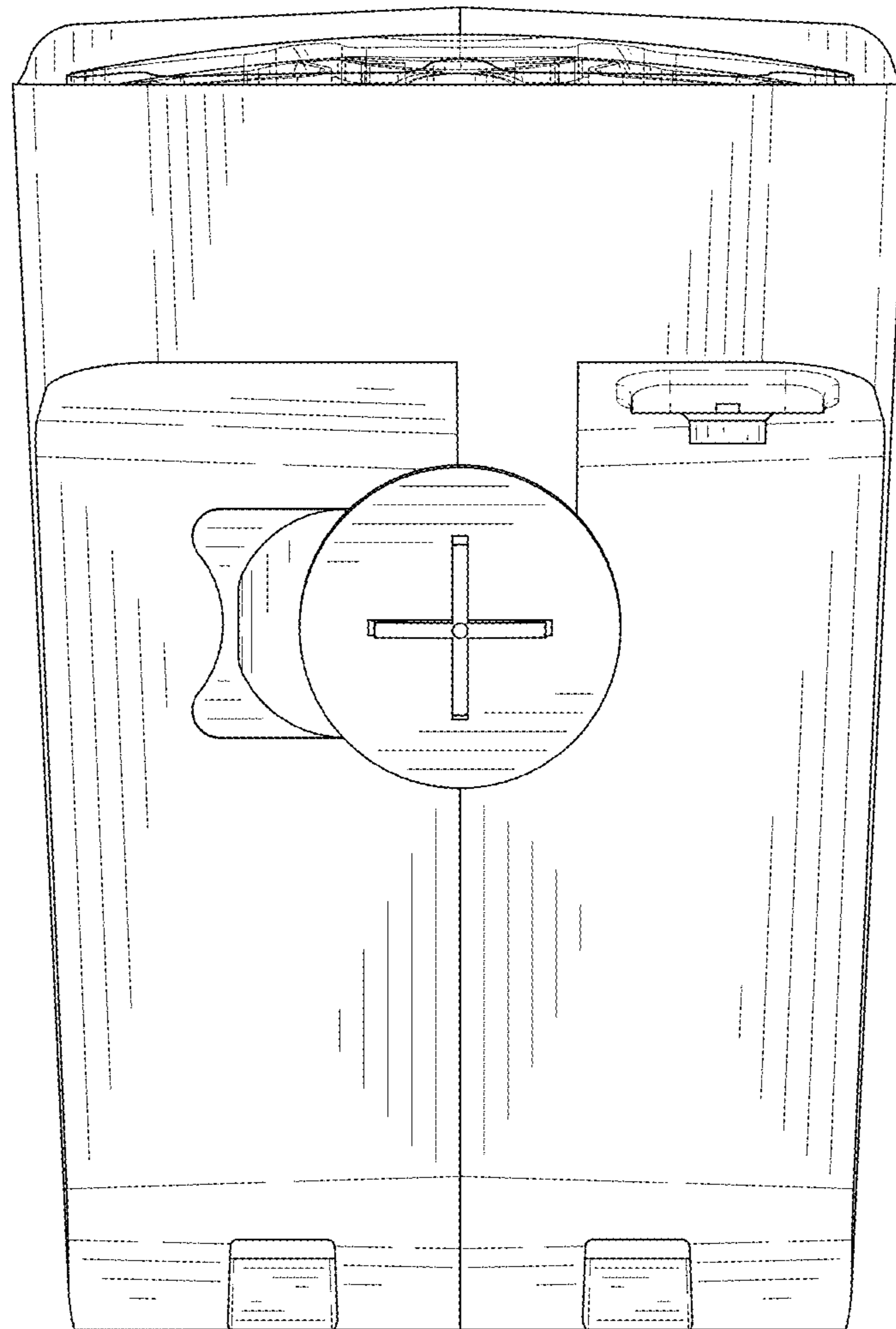


FIG. 8

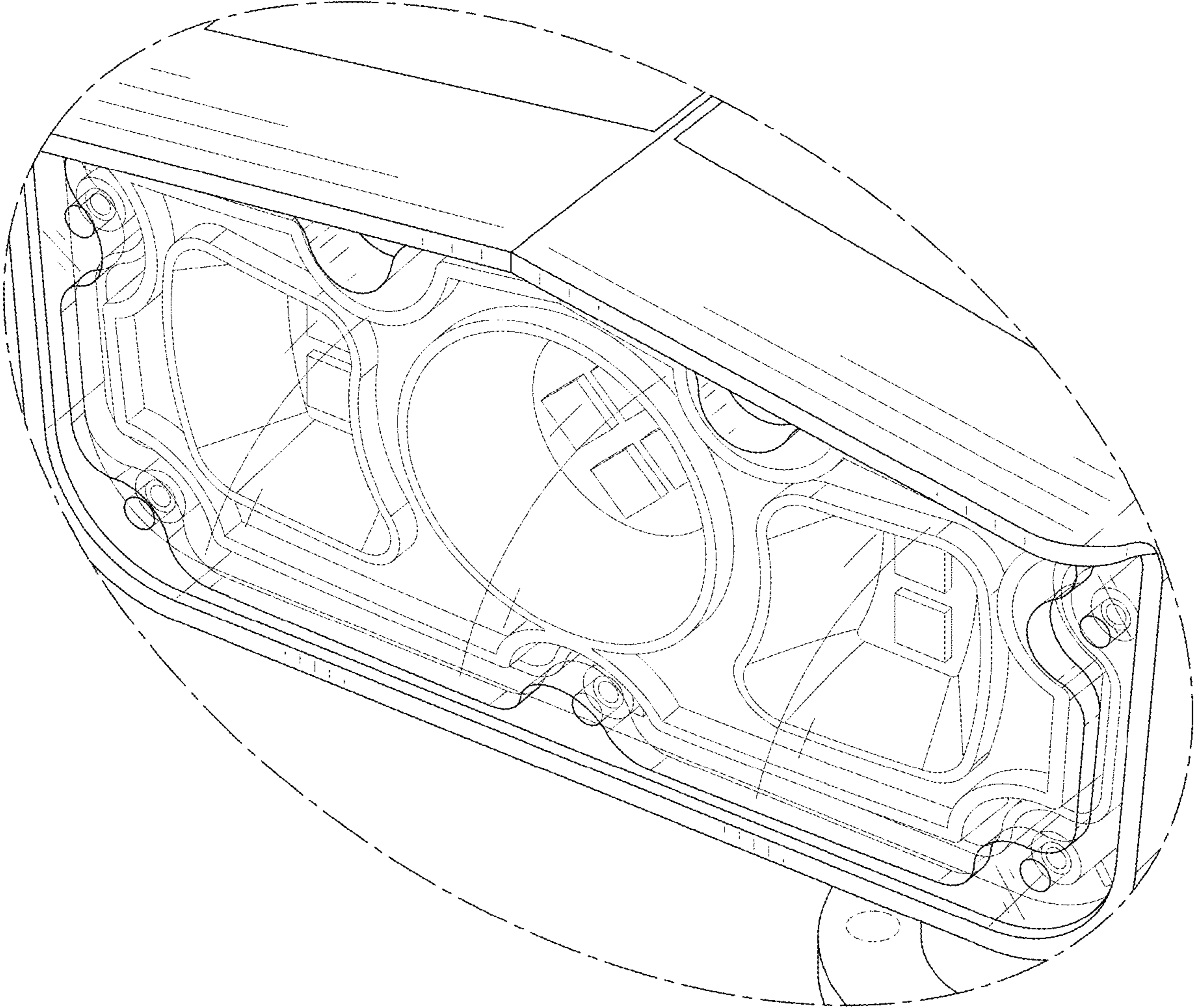


FIG. 9