



US00D978399S

(12) **United States Design Patent** (10) **Patent No.:** **US D978,399 S**
Yu (45) **Date of Patent:** **** Feb. 14, 2023**

(54) **WORK LAMP**

OTHER PUBLICATIONS

(71) Applicant: **NINGBO WELL ELECTRIC APPLIANCE CO., LTD.**, Ningbo (CN)

“Olafus” reference by SZpower on Amazon.com, date first available Jan. 10, 2019 [online], site visited Mar. 21, 2022, available from internet URL: <https://www.amazon.com/Olafus-Equivalent-Brightness-Waterproof-Construction/dp/B07MCH5WG3> (Year: 2019).*

(72) Inventor: **Guolin Yu**, Ningbo (CN)

(Continued)

(73) Assignee: **NINGBO WELL ELECTRIC APPLIANCE CO., LTD.**, Ningbo (CN)

Primary Examiner — Marissa J Cash
Assistant Examiner — Liv C Anderson

(**) Term: **15 Years**

(57) **CLAIM**

The ornamental design for a work lamp, as shown and described.

(21) Appl. No.: **29/761,603**

DESCRIPTION

(22) Filed: **Dec. 10, 2020**

(51) **LOC (14) Cl.** **26-05**

(52) **U.S. Cl.**
USPC **D26/63**

(58) **Field of Classification Search**
USPC ... D26/1, 24, 35, 44, 61, 63, 65, 66, 72, 80,
D26/60, 76, 81, 83, 84, 93
CPC F21S 8/00; F21S 8/003; F21S 8/033; F21S
9/03; F21S 9/037; F21V 23/0471; F21V

FIG. 1 is a left, front, top perspective view of a work lamp showing my new design;
FIG. 2 is a right, rear, bottom perspective view thereof;
FIG. 3 is a top elevational view thereof;
FIG. 4 is a bottom elevational view thereof;
FIG. 5 is a left side elevational view thereof;
FIG. 6 is a right side elevational view thereof;
FIG. 7 is a front plan view thereof;
FIG. 8 is a rear plan view thereof;
FIG. 9 is an enlarged view of circled portion 9 in FIG. 1;
FIG. 10 is an enlarged view of circled portion 10 in FIG. 2;
FIG. 11 is an enlarged view of circled portion 11 in FIG. 4;
FIG. 12 is an enlarged view of circled portion 12 in FIG. 5;
and,
FIG. 13 is an enlarged view of circled portion 13 in FIG. 6.
In the drawings, the broken lines depict portion of the work lamp that form no part of the claimed design. The claim is directed to shaded surfaces. The broken lines illustrate portions of the work lamp that form no part of the claimed design; any unshaded surfaces between solid and broken line form no part thereof. The dash-dot-dash broken lines in the drawings depict the boundaries of the enlarged views and form no part of the claimed design.

(Continued)

(56) **References Cited**

U.S. PATENT DOCUMENTS

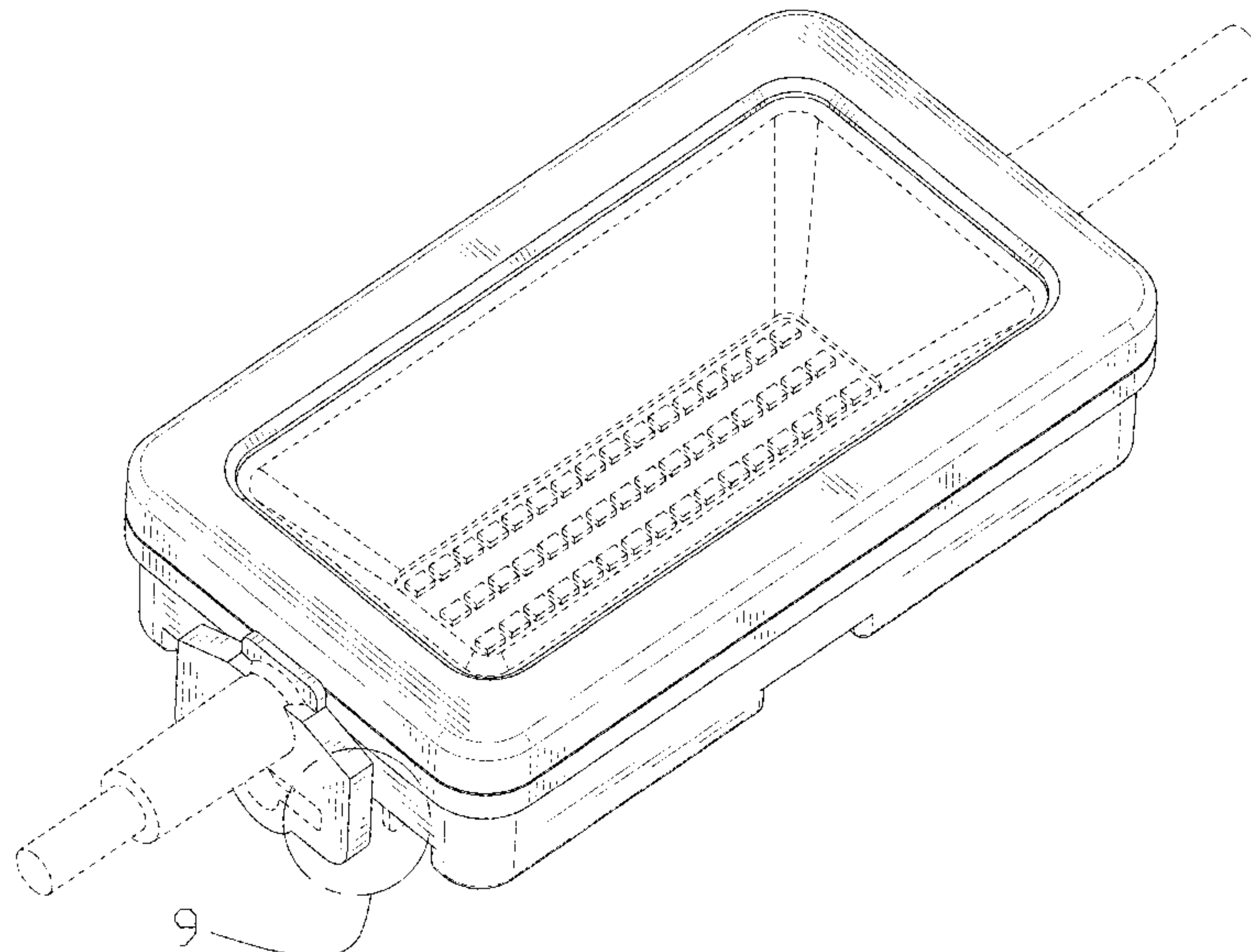
D407,836 S * 4/1999 Leen D26/63
D625,870 S * 10/2010 Feigenbaum D26/63
D677,406 S * 3/2013 Derkits D26/1

(Continued)

FOREIGN PATENT DOCUMENTS

CA 183207 * 8/2018
CN 304909774 * 1/2018
KR 300925121.0000 * 11/2016

1 Claim, 13 Drawing Sheets



(58) **Field of Classification Search**
CPC 21/26; F21V 21/30; F21W 2131/10; F21W
2131/107

See application file for complete search history.

D919,151 S * 5/2021 Wu D26/63
D923,227 S * 6/2021 Ko D26/63
D932,076 S * 9/2021 Green D26/37

OTHER PUBLICATIONS

(56) **References Cited**

U.S. PATENT DOCUMENTS

D689,234 S * 9/2013 Zhang D26/72
D747,526 S * 1/2016 Zhang D26/63
D762,902 S * 8/2016 Ke D26/63
D779,097 S * 2/2017 Xu D26/63
D796,718 S * 9/2017 Zhou D26/63
D797,338 S * 9/2017 Wang D26/63
D797,339 S * 9/2017 Wang D26/63
D842,520 S * 3/2019 Brandrup D26/63
D889,711 S * 7/2020 Green D26/37
D907,831 S * 1/2021 Gu D26/63
D911,575 S * 2/2021 Ma D26/71
D918,453 S * 5/2021 Rang D26/63

“Powersmith” reference on Amazon.com, date first available Oct. 27, 2020 [online], site visited Mar. 21, 2022, available from internet URL: <https://www.amazon.com/POWERSMITH-PWLR124FM-Lumen-Rechargeable-Magnetic/dp/B08LZNNHCJG> (Year: 2020).*
“60W” reference by MonkeySmart on Amazon.com, date first available Sep. 30, 2019 [online], site visited Mar. 21, 2022, available from internet URL: <https://www.amazon.com/Ustellar-Portable-Equivalent-Waterproof-Construction/dp/B07X6HZZFH> (Year: 2019).*
“Onfaru” reference by Onfaru on Amazon.com, date first available May 22, 2018 [online], site visited Mar. 21, 2022, available from internet URL: <https://www.amazon.com/Onforu-Waterproof-Landscape-Floodlight-Playground/dp/B07MNLBD7W> (Year: 2018).*

* cited by examiner

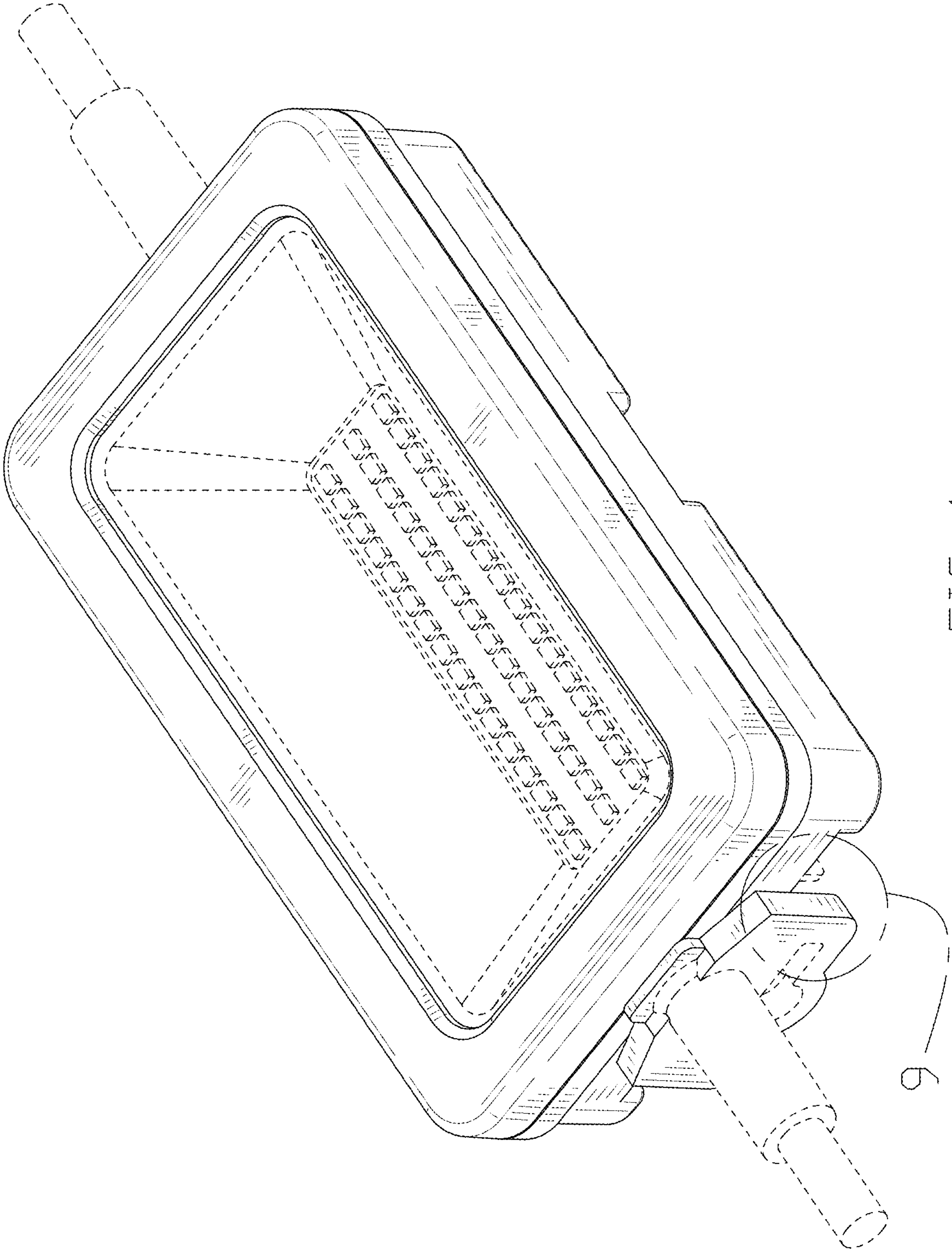


FIG. 1

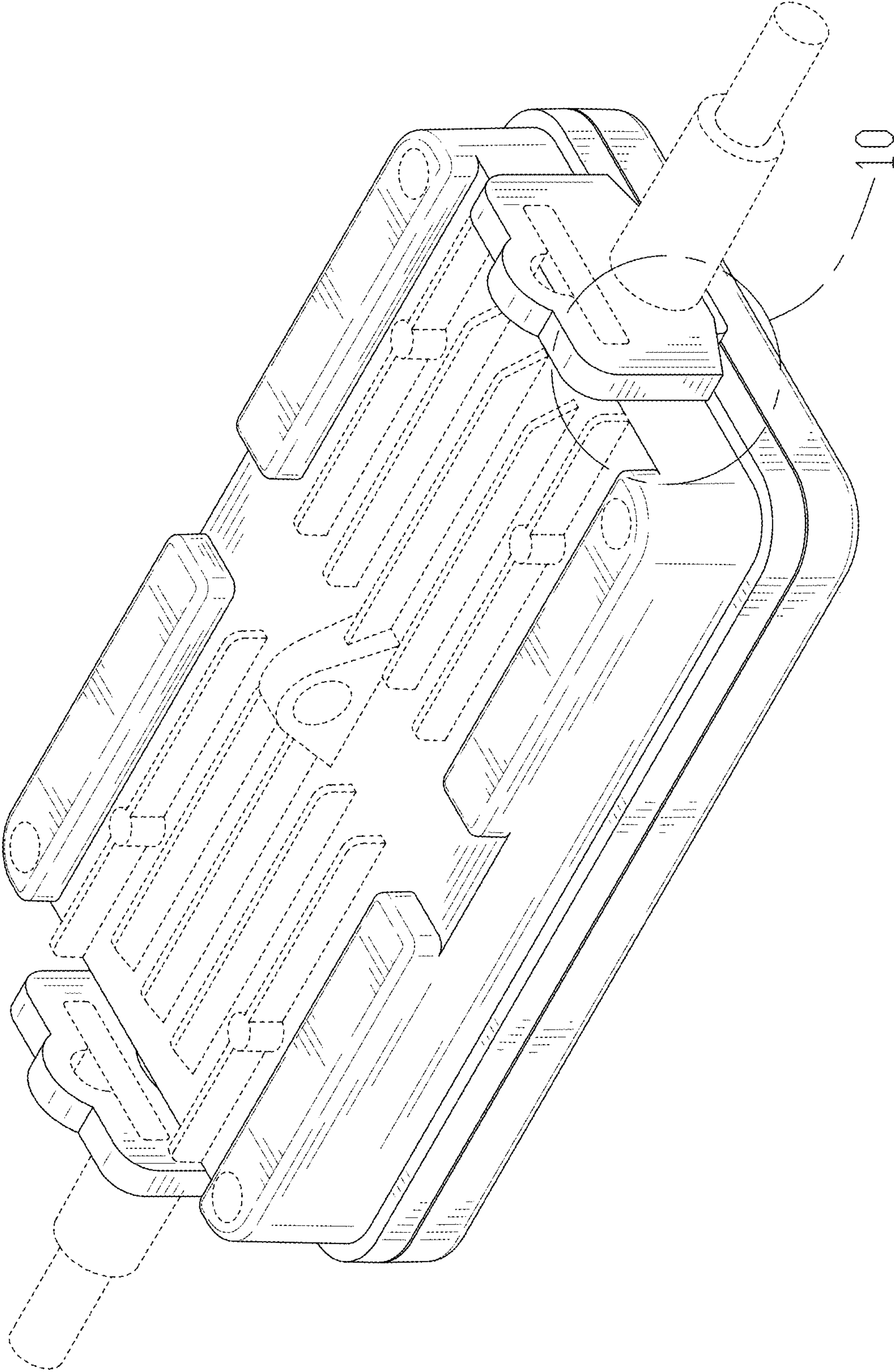


FIG. 2

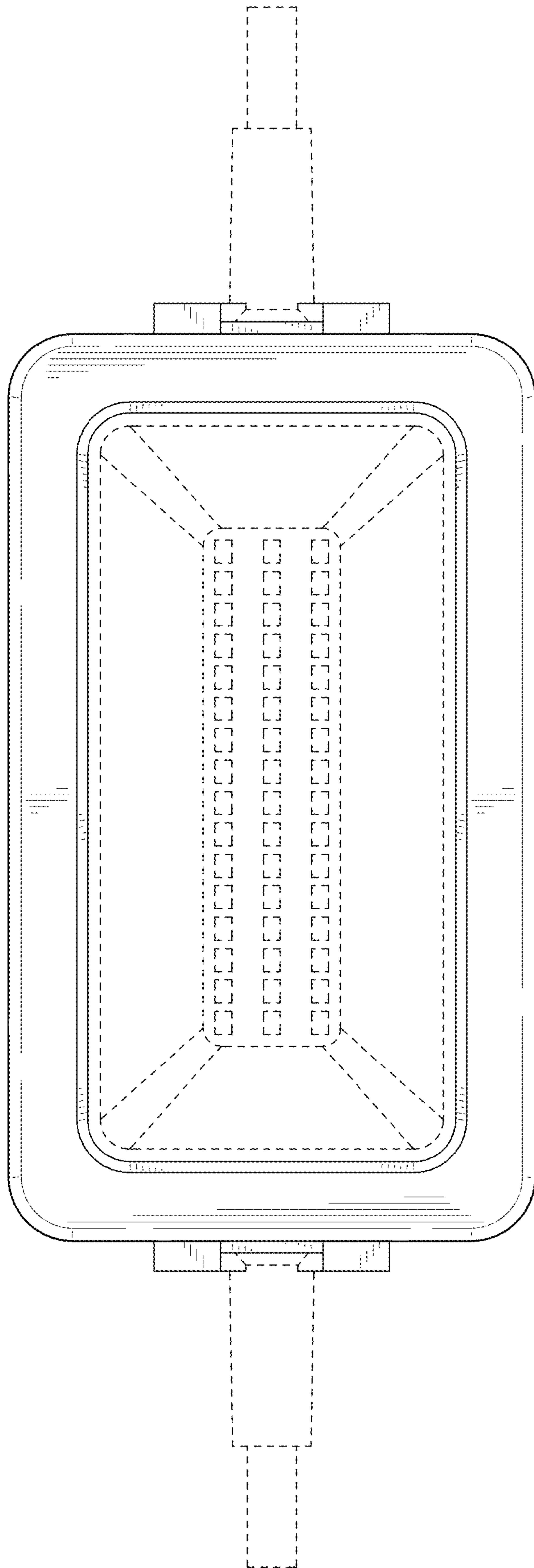


FIG. 3

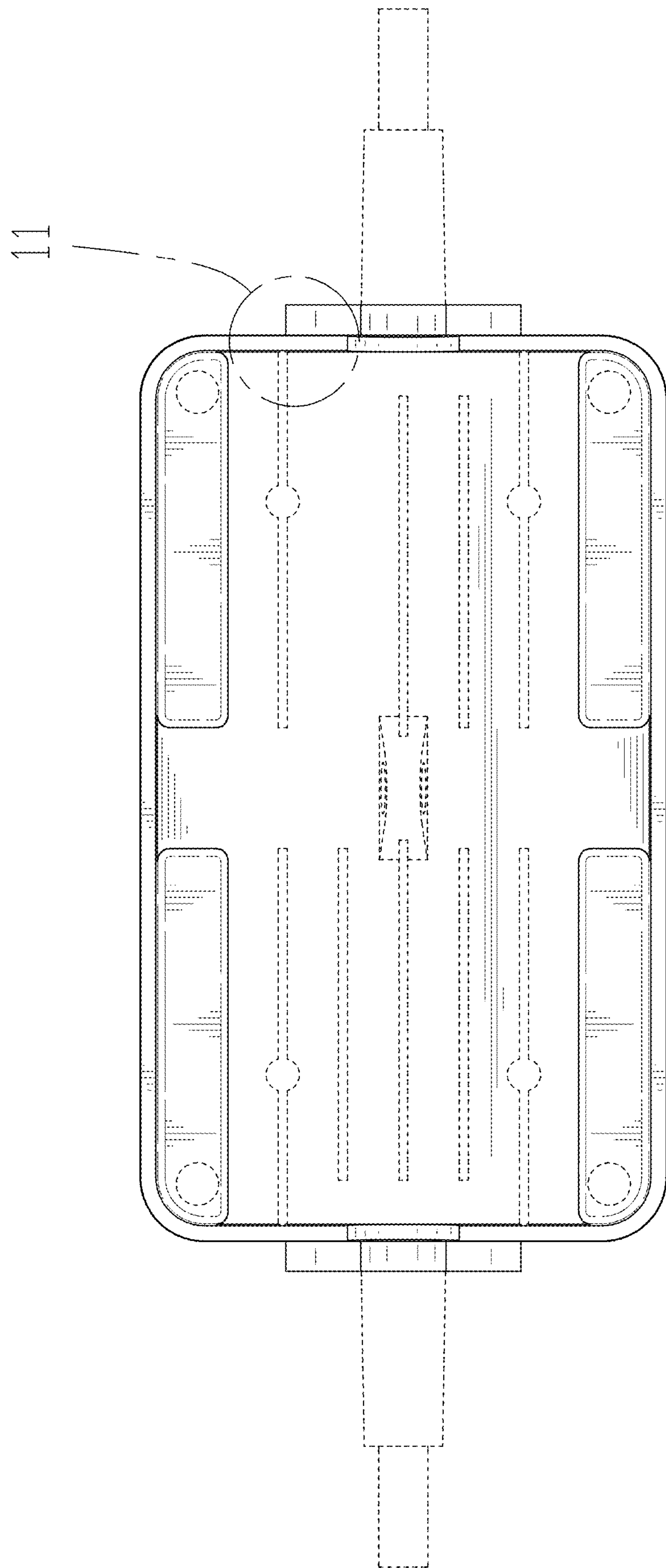


FIG. 4

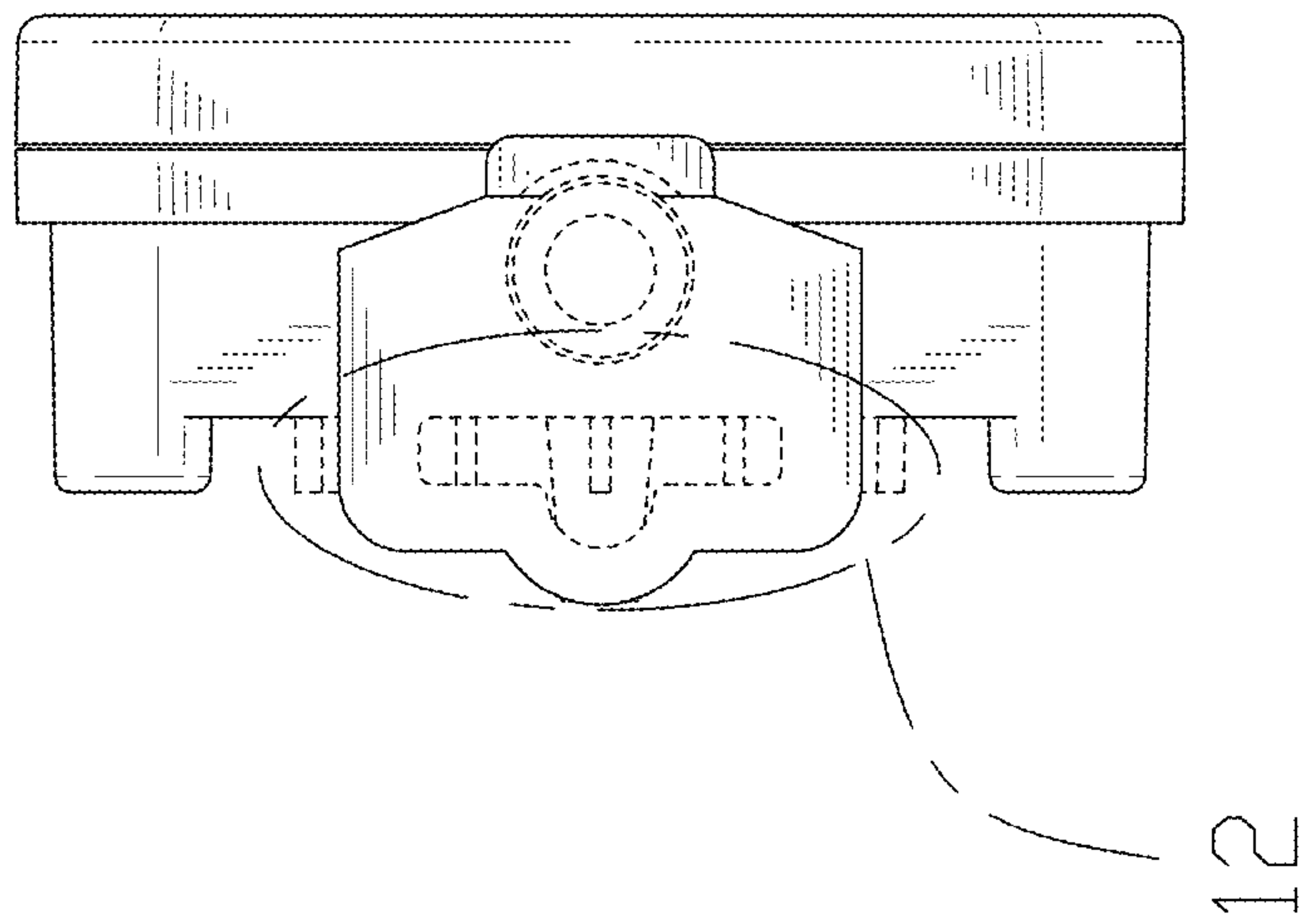


FIG. 5

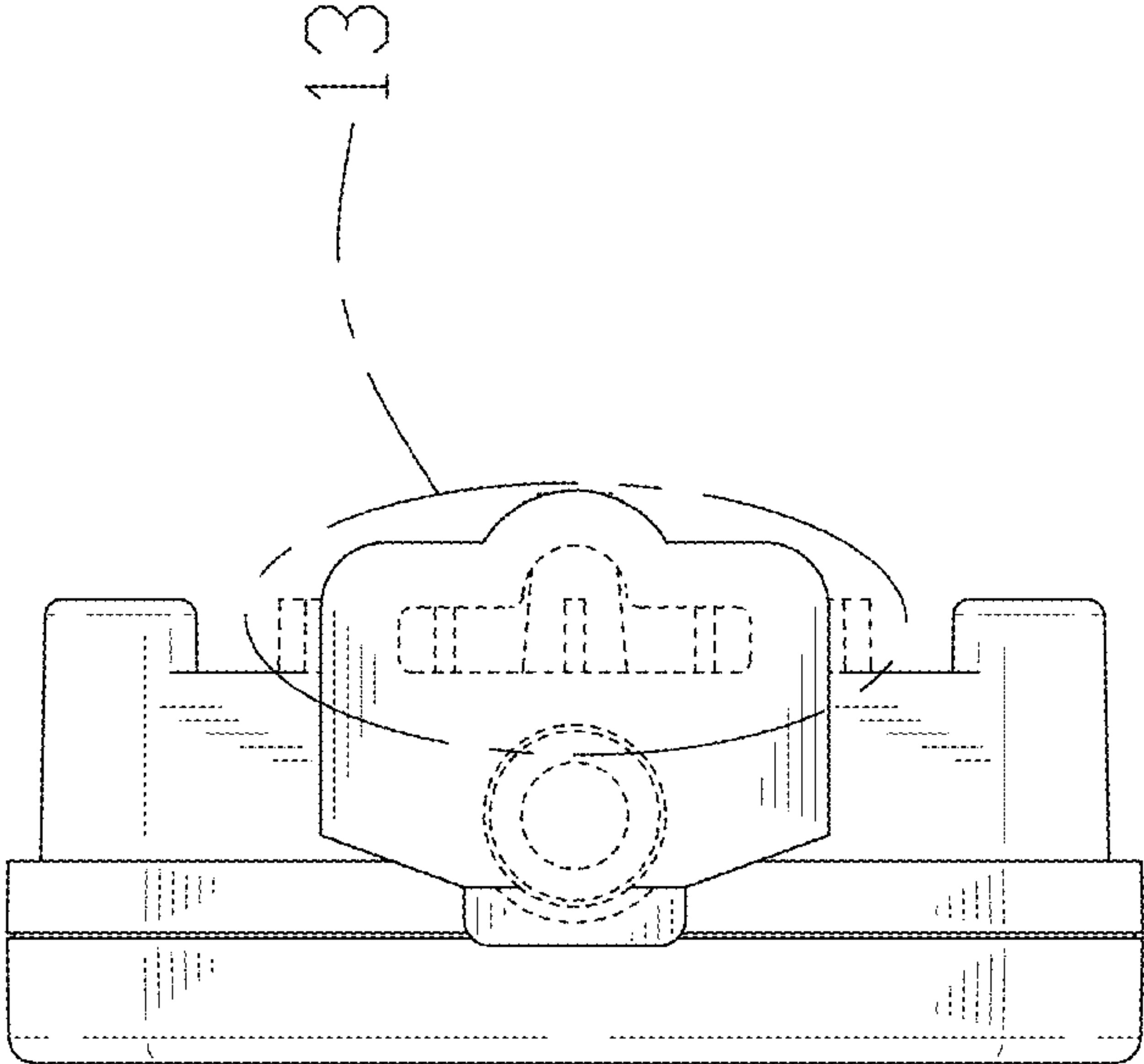


FIG. 6

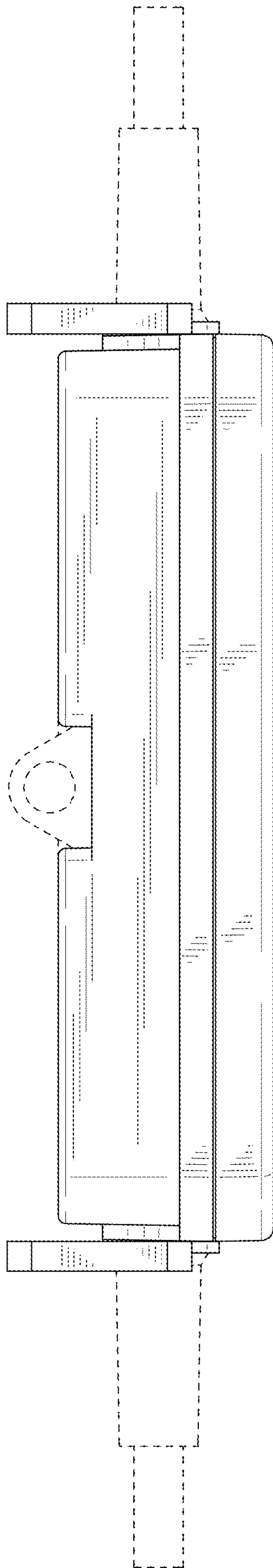


FIG. 7

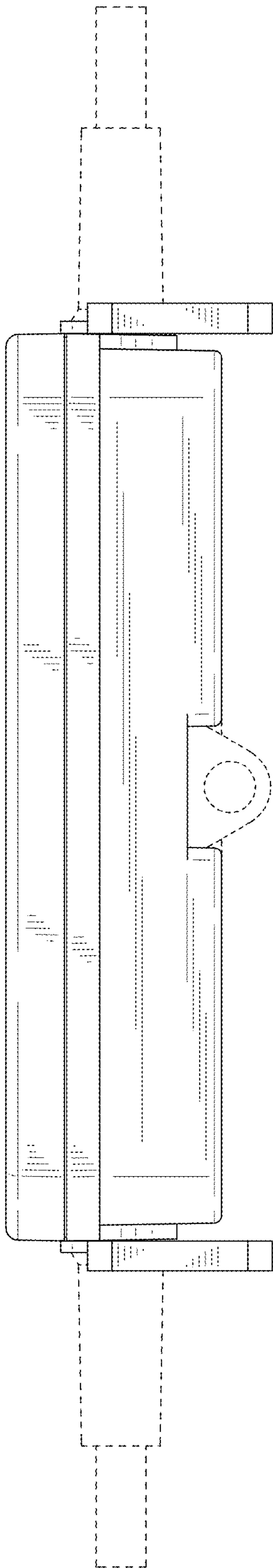


FIG. 8

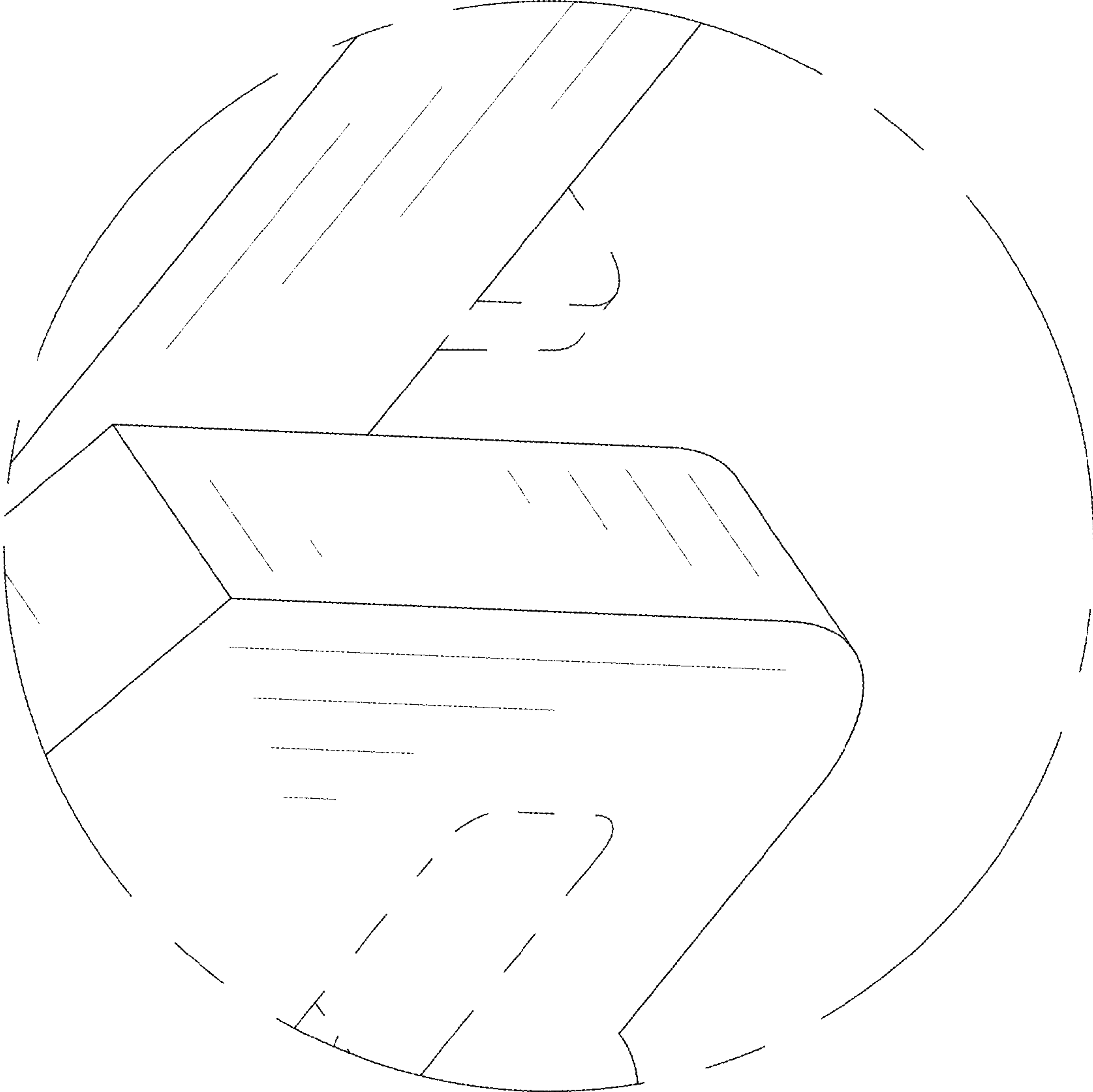


FIG. 9

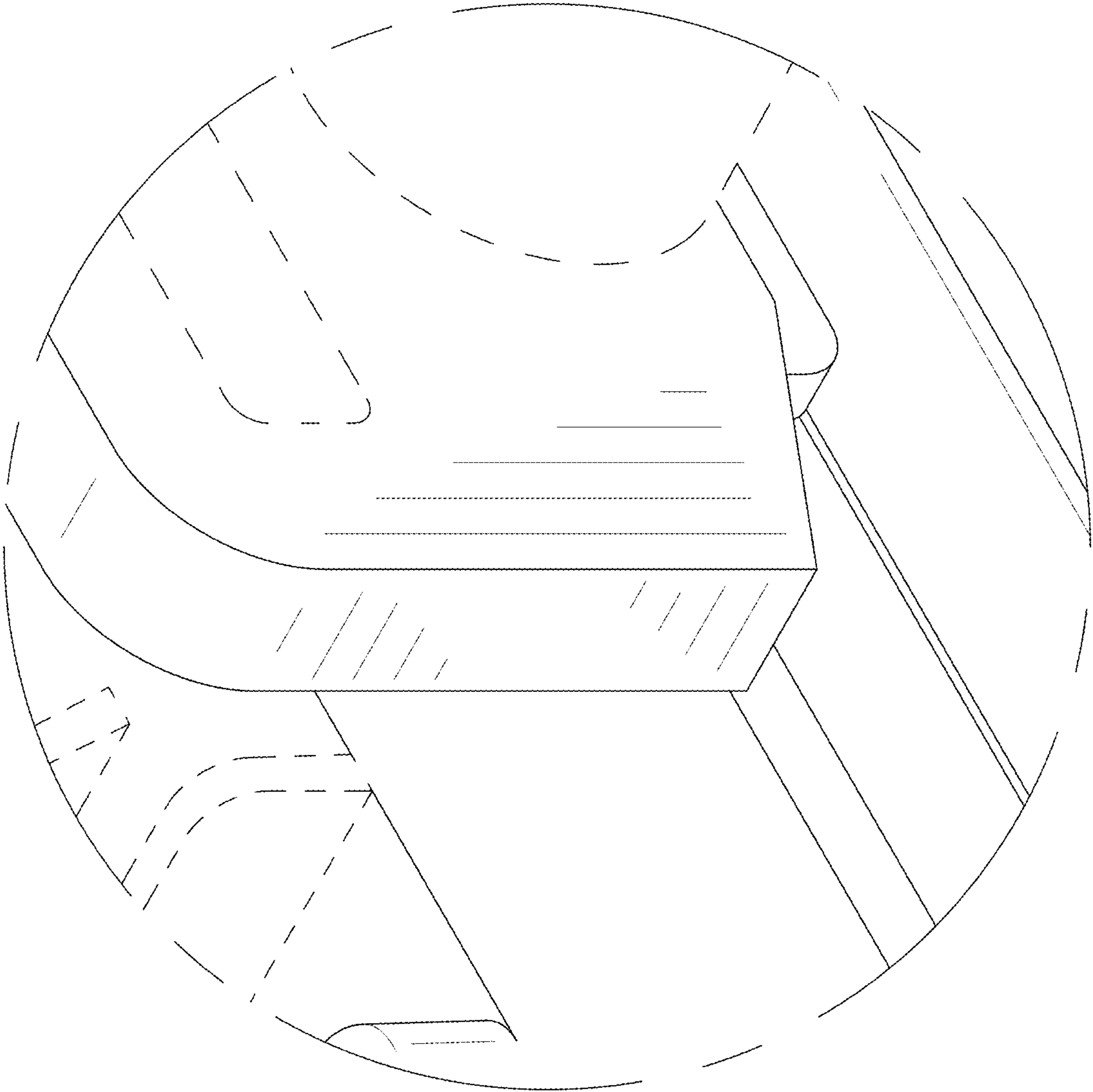


FIG. 10

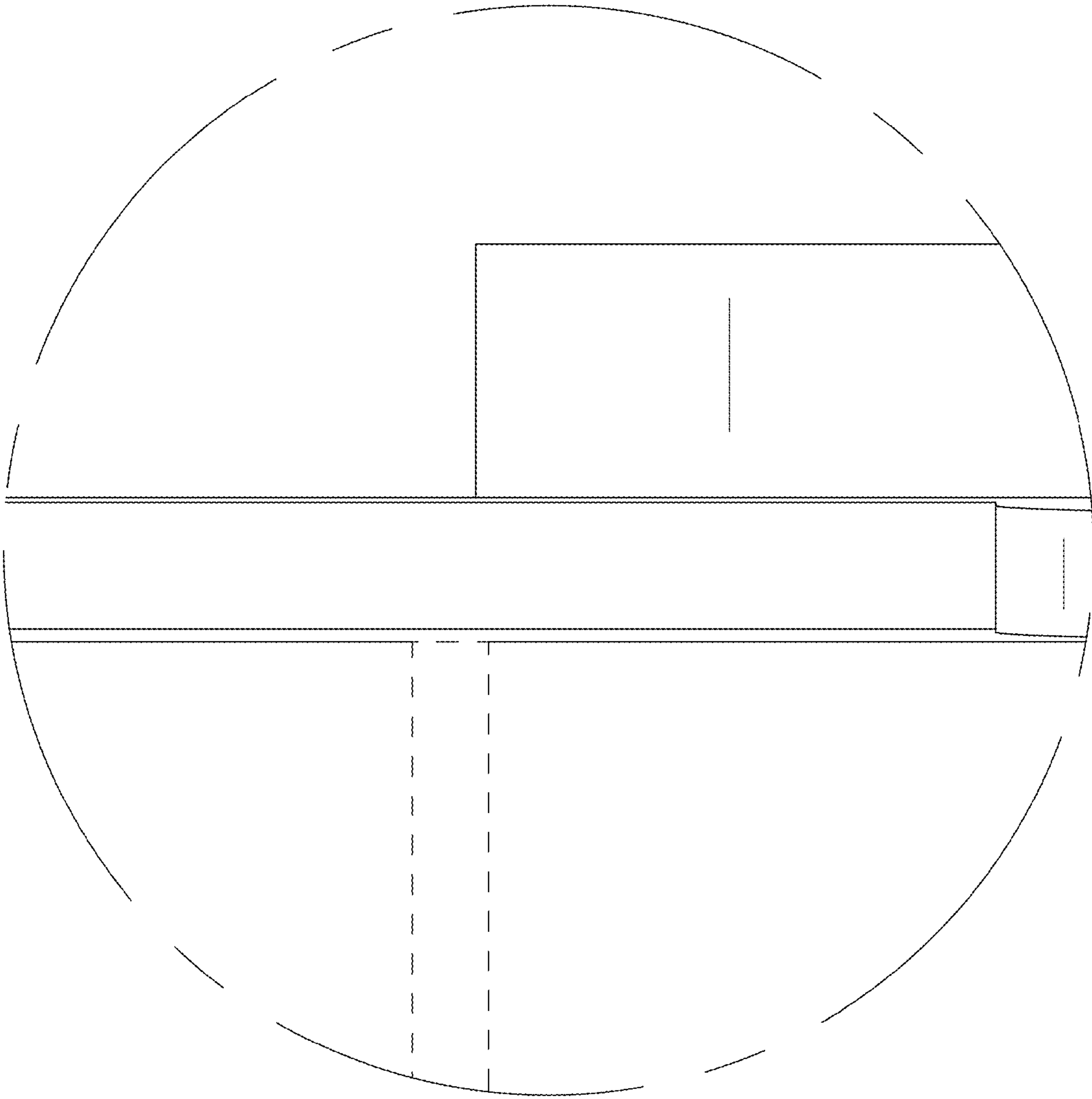


FIG. 11

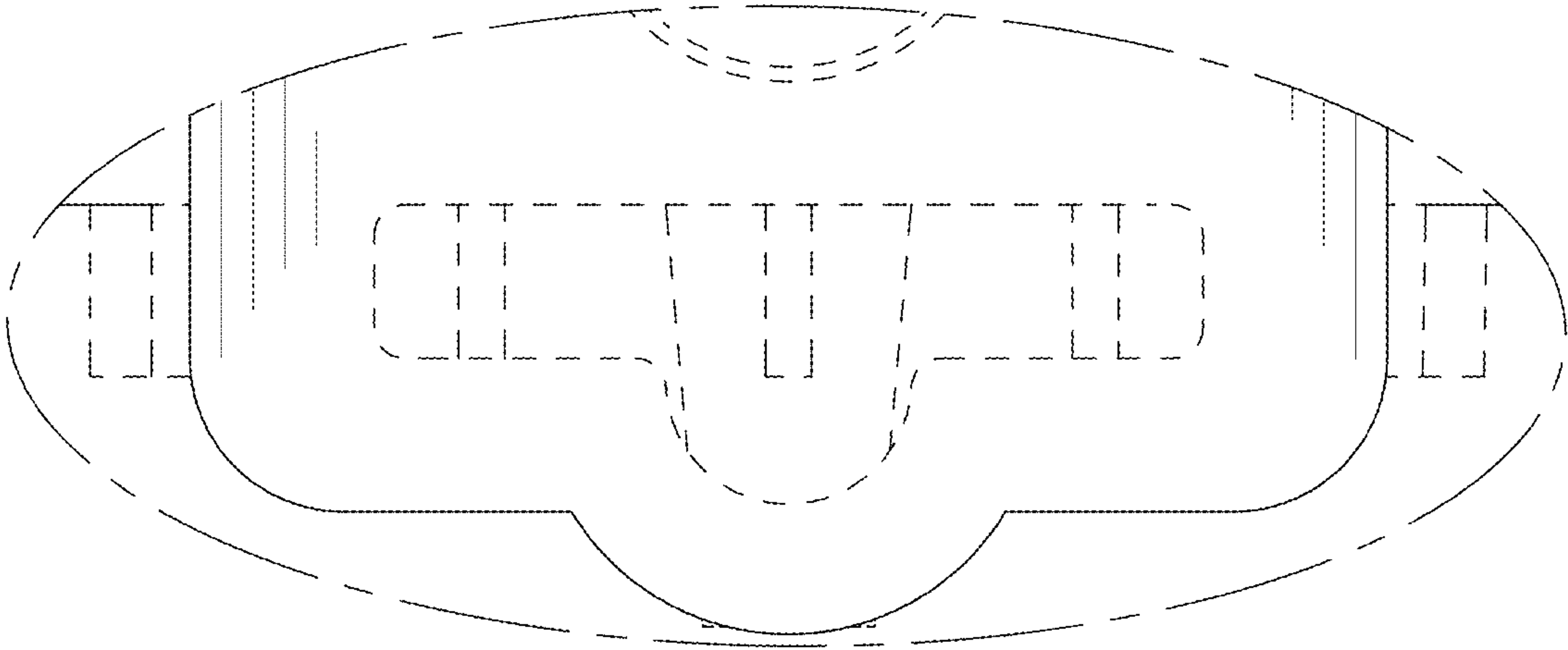


FIG. 12

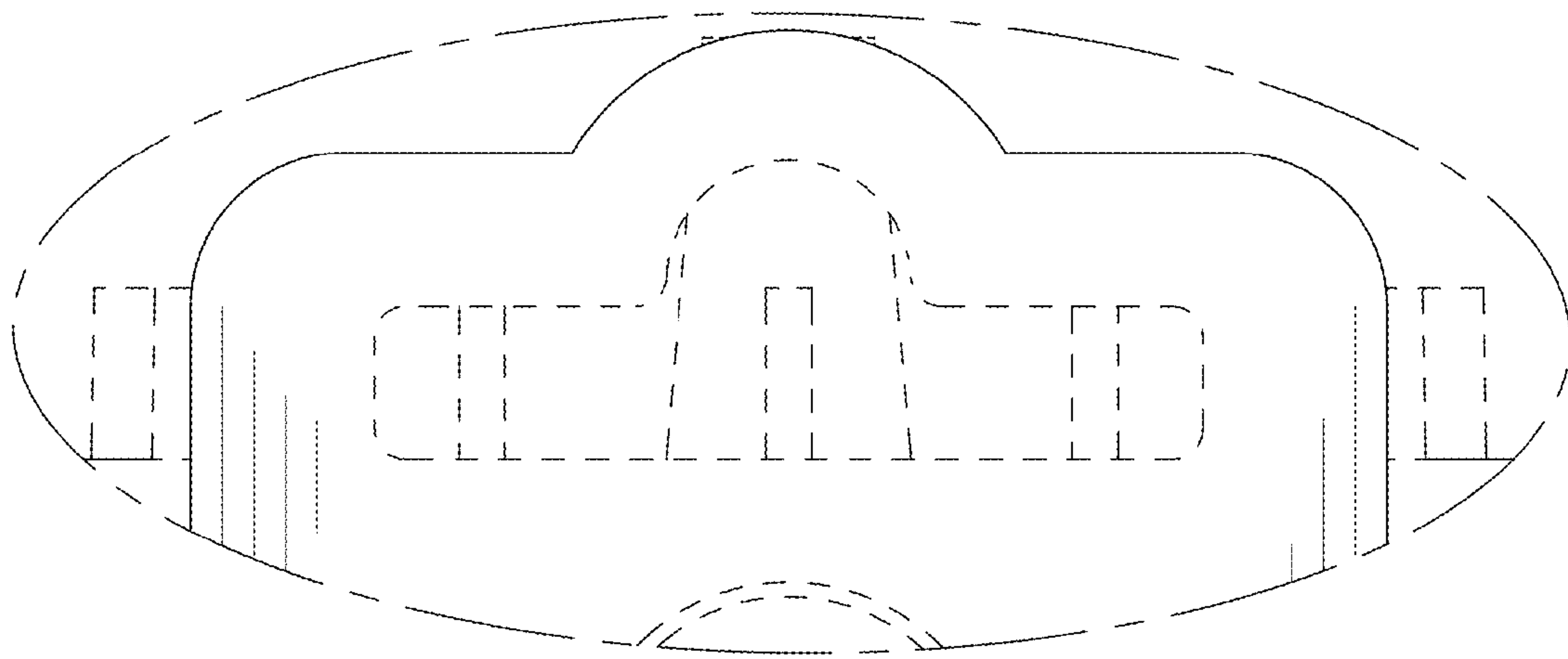


FIG. 13