



US00D978398S

(12) **United States Design Patent** (10) **Patent No.:** **US D978,398 S**
Wu (45) **Date of Patent:** **** Feb. 14, 2023**

(54) **LED LIGHT**

(71) Applicant: **HUIZHOU LED SUN LIGHTING CO., LTD.**, Huizhou (CN)

(72) Inventor: **Zhongcheng Wu**, Huizhou (CN)

(73) Assignee: **HUIZHOU LED SUN LIGHTING CO., LTD.**, Huizhou (CN)

(**) Term: **15 Years**

(21) Appl. No.: **29/827,032**

(22) Filed: **Feb. 17, 2022**

(30) **Foreign Application Priority Data**

Jan. 18, 2022 (EM) 008833842-0001

(51) **LOC (14) Cl.** **26-05**

(52) **U.S. Cl.**
USPC **D26/60; D26/62**

(58) **Field of Classification Search**
USPC D26/24, 37, 43, 60-63, 64, 65, 93, 102
CPC F21K 9/00; F21K 9/20; F21L 4/00; F21L 4/005; F21L 4/06; F21S 9/00; F21S 9/02; F21V 21/042; F21V 21/08; F21V 21/088
See application file for complete search history.

(56) **References Cited**

U.S. PATENT DOCUMENTS

D564,118 S * 3/2008 Wu D26/63
D716,986 S 11/2014 Ng
D731,699 S * 6/2015 Fishman D26/106
D811,645 S * 2/2018 Kim D26/107
D859,713 S * 9/2019 Hodgson D26/62
D887,607 S 6/2020 Zhang
D921,950 S * 6/2021 Ye D26/60

(Continued)

FOREIGN PATENT DOCUMENTS

CN 306986931 * 12/2021

OTHER PUBLICATIONS

“Mostorlit” reference by Mostorlit on Amazon.com, date first available Jan. 18, 2022 [online], site visited Aug. 24, 2022, available from internet URL: <https://www.amazon.com/Mostorlit-Architect-Workbench-Lighting-Monitor/dp/B09QMBW1N4> (Year: 2022).*

(Continued)

Primary Examiner — Marissa J Cash
Assistant Examiner — Liv C Anderson

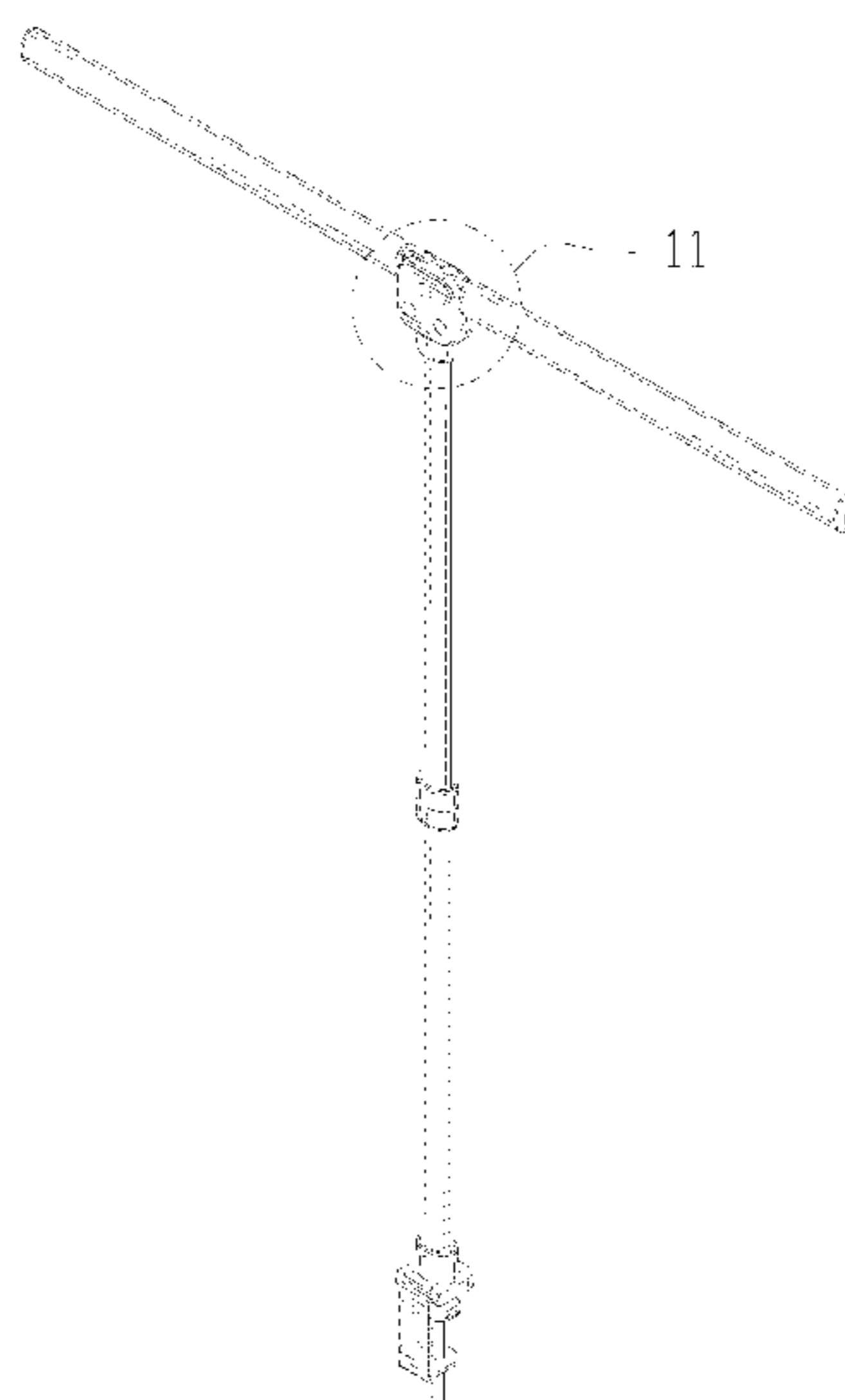
(57) **CLAIM**

The ornamental design for an LED light, as shown and described.

DESCRIPTION

FIG. 1 is a perspective view of an LED light showing my new design;
FIG. 2 is another perspective view thereof;
FIG. 3 is a front elevational view thereof;
FIG. 4 is a rear elevational view thereof;
FIG. 5 is a left side elevational view thereof;
FIG. 6 is a right side elevational view thereof;
FIG. 7 is a top plan view thereof;
FIG. 8 is a bottom plan view thereof;
FIG. 9 is a perspective view of the LED light where the LED light is in a first configuration of use;
FIG. 10 is a perspective view of the LED light where the LED light is in a second configuration of use;
FIG. 11 is an enlarged view of portion 11 shown in FIG. 1; and
FIG. 12 is an enlarged view of portion 12 shown in FIG. 2. The dash-dash broken lines in the drawings depict portions of the LED light that form no part of the claimed design. The dot-dash broken lines encircling enlarged views are for annotative purpose only and form no part of the claimed design.

1 Claim, 12 Drawing Sheets



(56)

References Cited

U.S. PATENT DOCUMENTS

D946,803 S * 3/2022 Pang D26/60
D950,120 S * 4/2022 Pang D26/65
D953,591 S * 5/2022 Pang D26/109
D959,719 S * 8/2022 Zhao D26/65
2014/0268726 A1 * 9/2014 Yu F21V 21/26
362/418

OTHER PUBLICATIONS

“Double” reference by Amazon.com, date first available Dec. 14, 2021 [online], site visited Aug. 24, 2022, available from internet URL: <https://www.amazon.com/Gooseneck-Adjustable-Brightness-Temperature-Dormitory/dp/B09NLVC5KJ> (Year: 2021).*

* cited by examiner

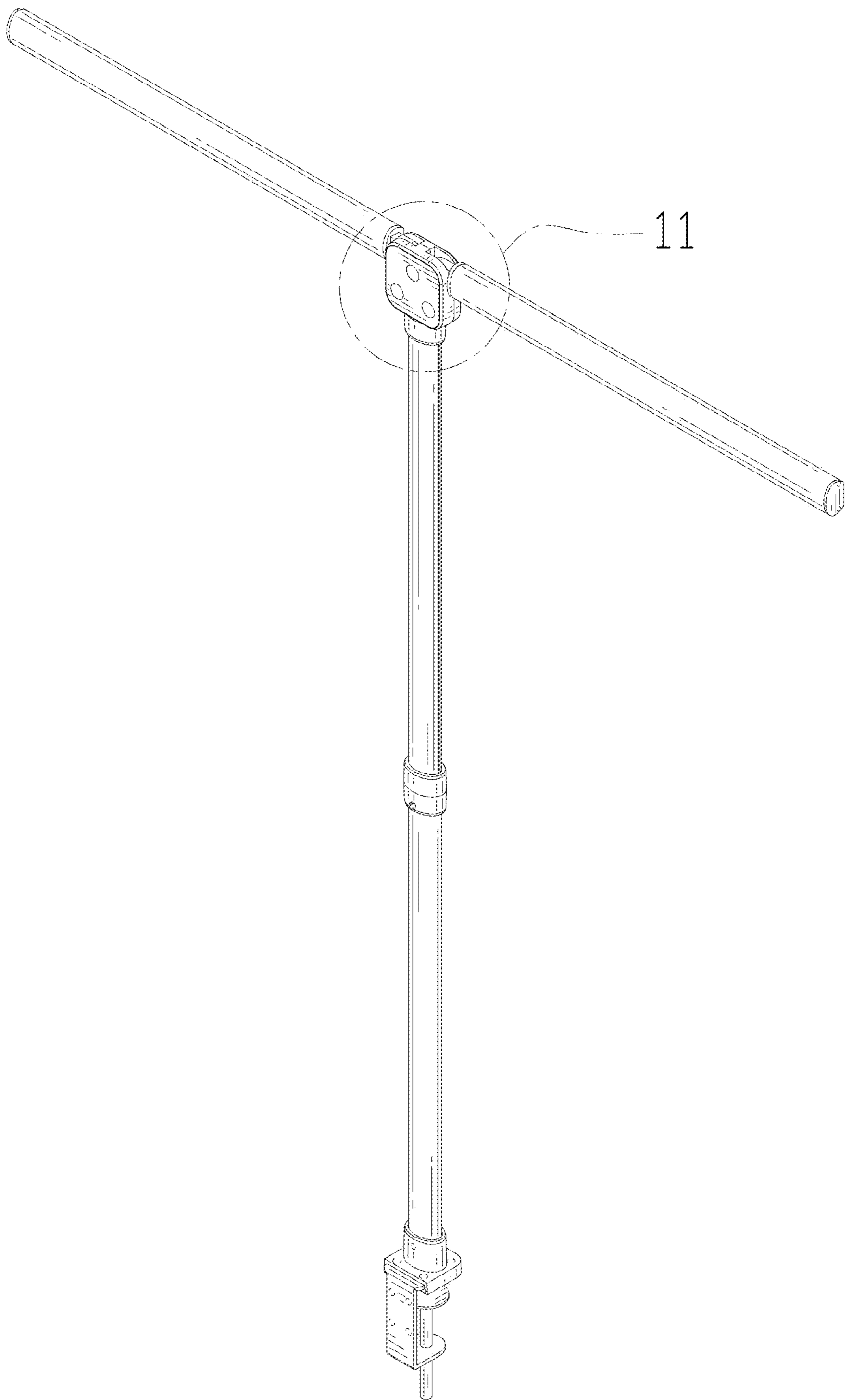


FIG. 1

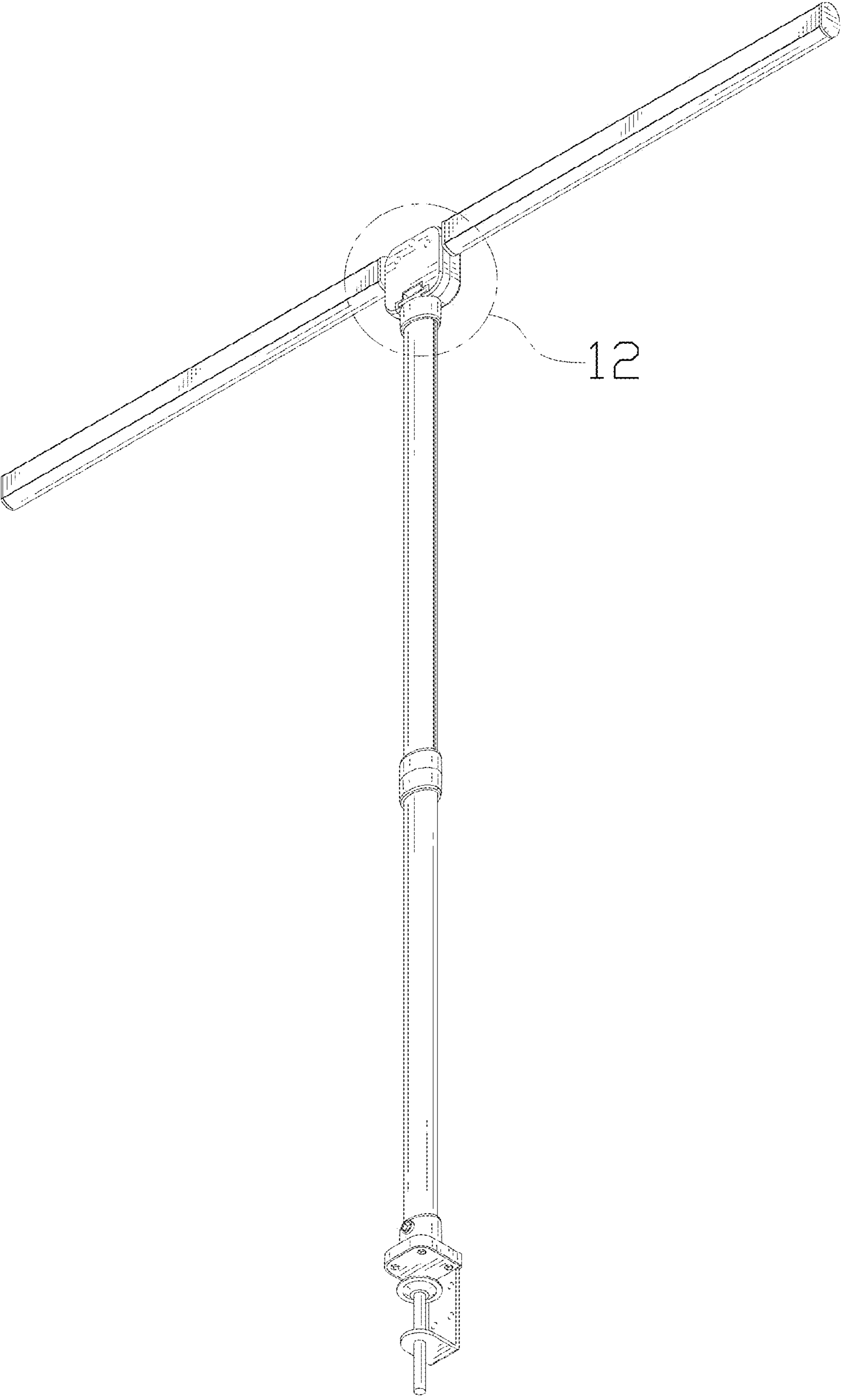


FIG. 2

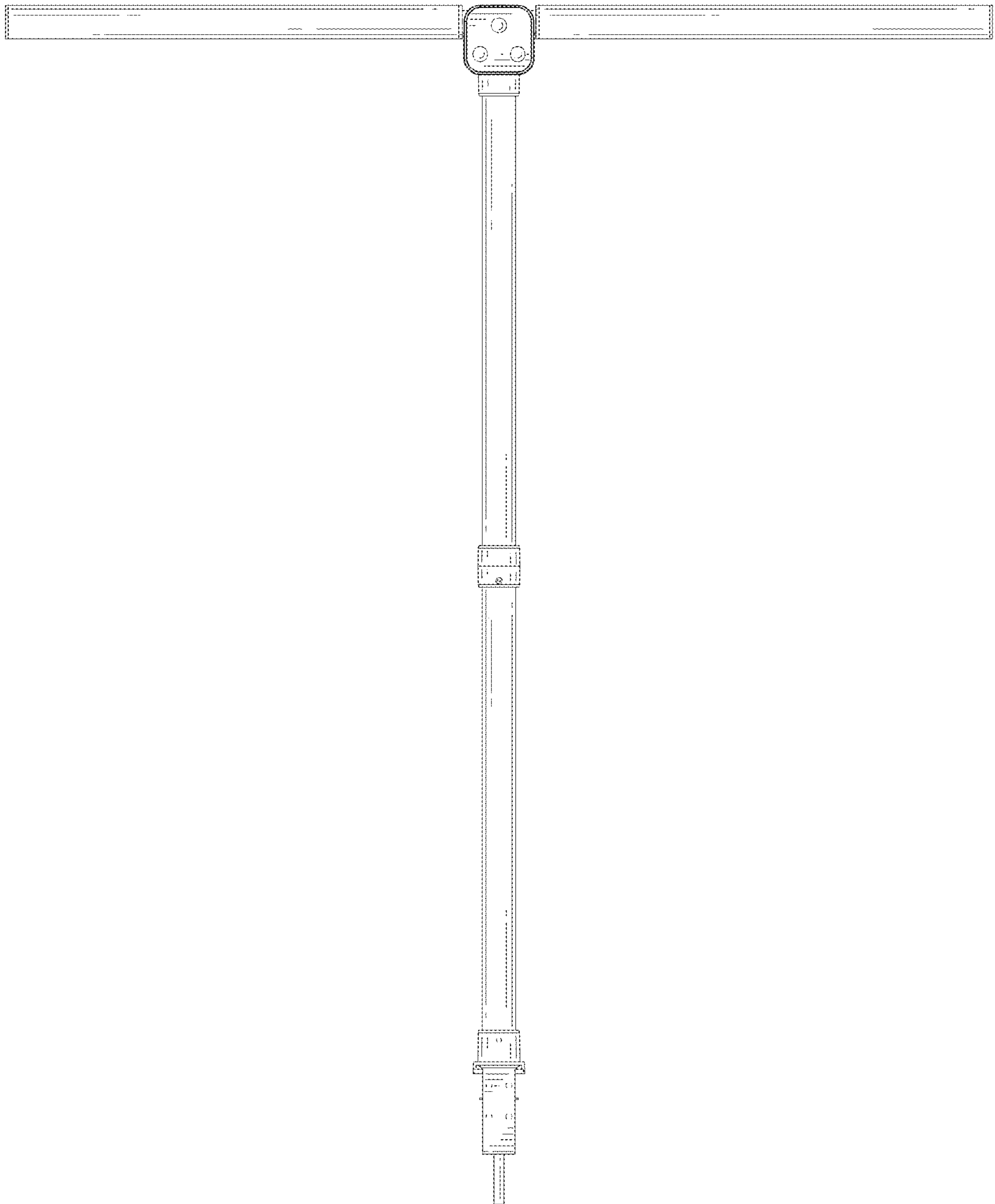


FIG. 3

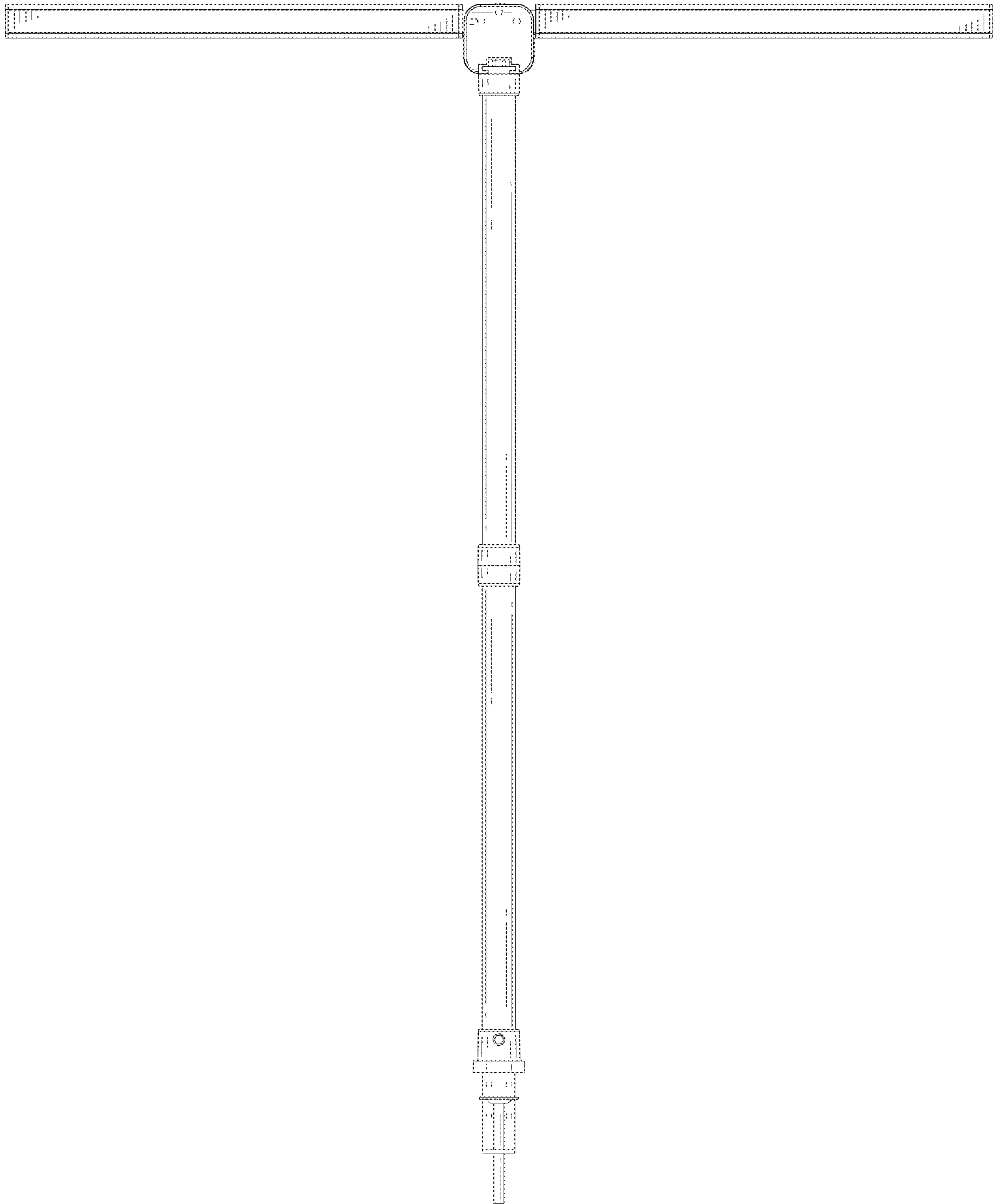


FIG. 4

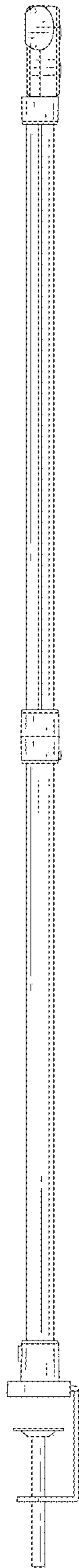


FIG. 5

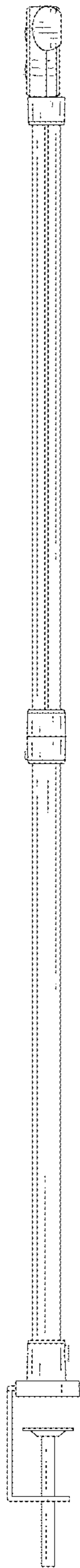


FIG. 6

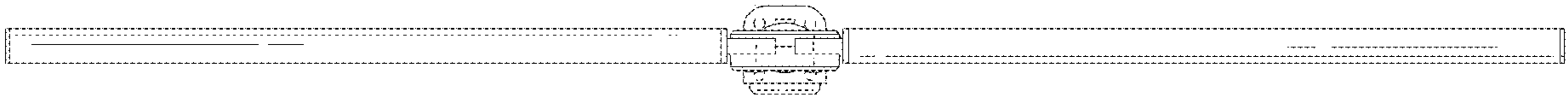


FIG. 7

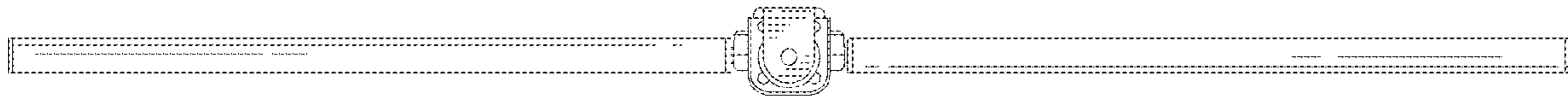


FIG. 8

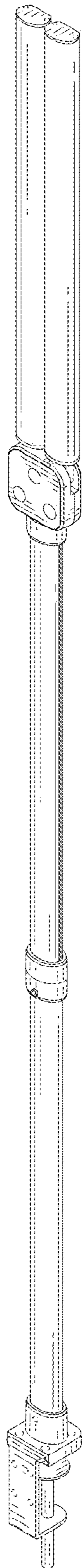


FIG. 9

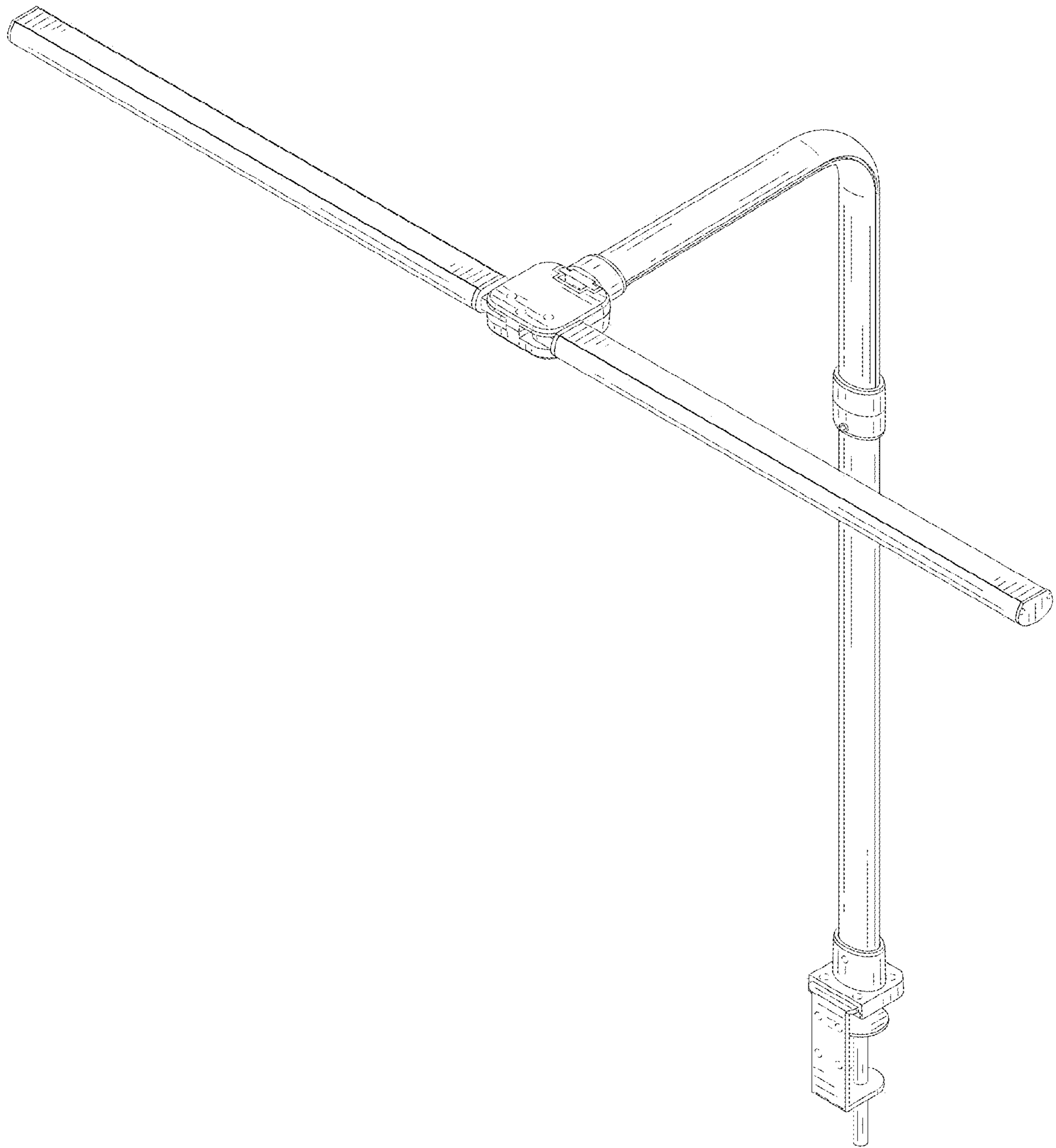


FIG. 10

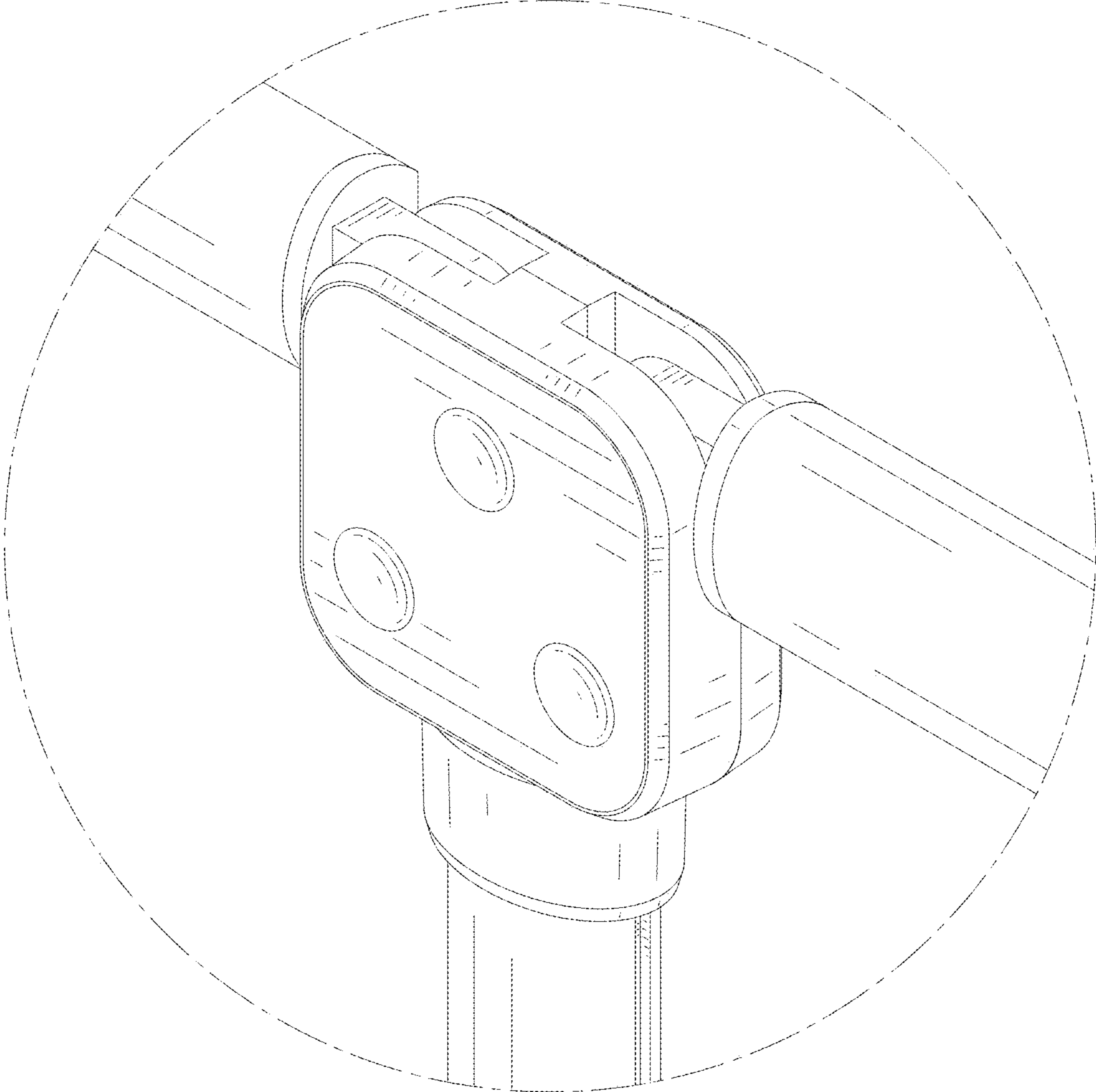


FIG. 11

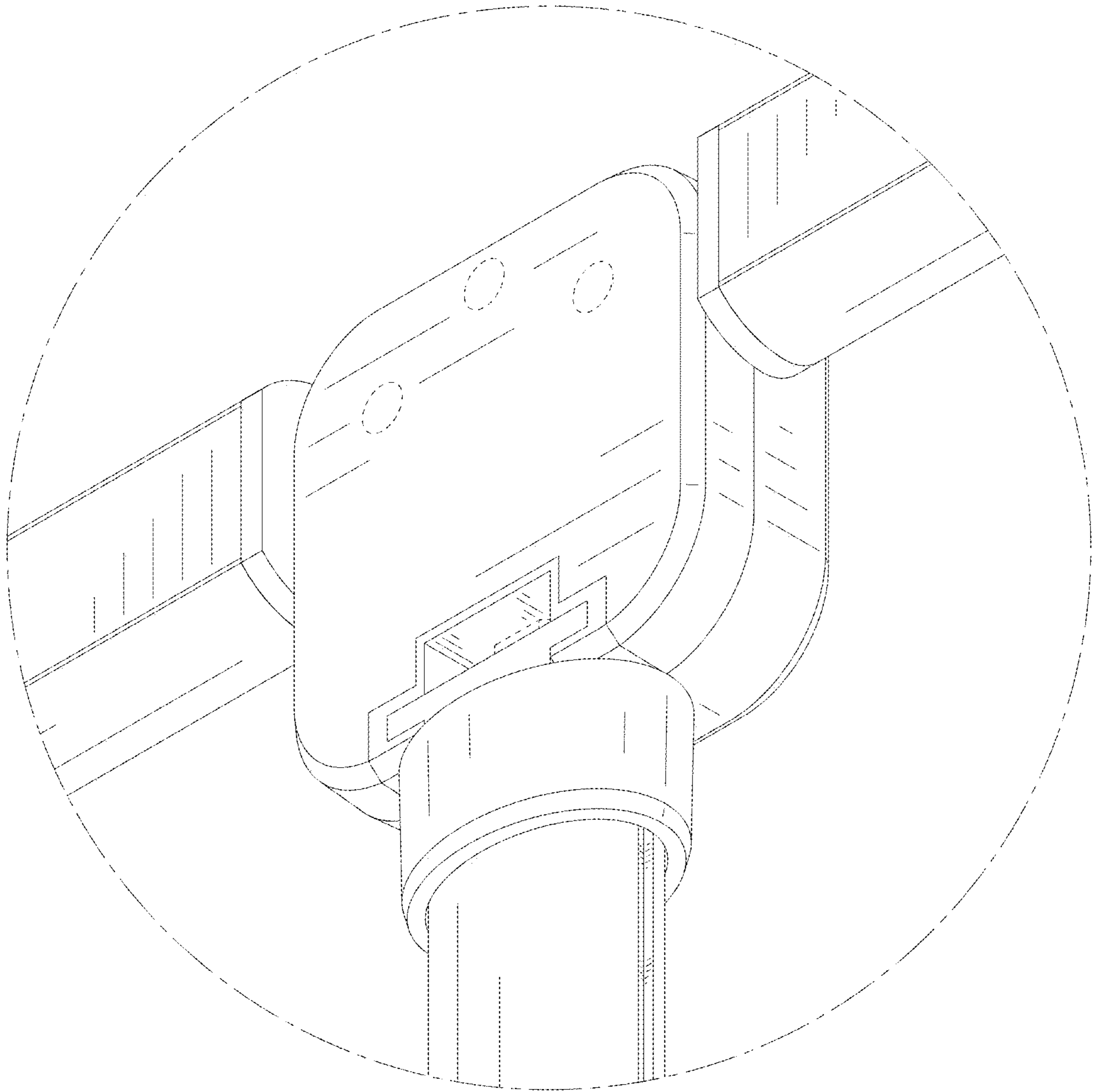


FIG. 12