



US00D978397S

(12) **United States Design Patent** (10) **Patent No.:** **US D978,397 S**
Wei (45) **Date of Patent:** **** Feb. 14, 2023**

(54) **WIRELESS CHARGING LAMP**

D811,998 S * 3/2018 Wang D13/107
D836,541 S * 12/2018 Lomeli D13/107
D847,741 S * 5/2019 Hu D13/108

(71) Applicant: **Zhenli Wei**, Nanning (CN)

(Continued)

(72) Inventor: **Zhenli Wei**, Nanning (CN)

FOREIGN PATENT DOCUMENTS

(**) Term: **15 Years**

CN 306434666 * 4/2021
CN 213585191 U * 6/2021

(21) Appl. No.: **29/823,591**

(Continued)

(22) Filed: **Jan. 18, 2022**

OTHER PUBLICATIONS

(51) **LOC (14) Cl.** **26-05**

(52) **U.S. Cl.**

USPC **D26/54**

(58) **Field of Classification Search**

USPC .. D26/37-38, 41-44, 46, 51-52, 54, 56-66;
D10/2, 5, 109.1, 111, 113.2, 114.2;
D14/170-172, 188, 204, 221

CPC H04R 1/02; H04R 1/021; H04R 1/025;
H04R 1/026; H04R 1/028; H04R 1/403;
H04R 1/2803; H04R 1/2834; H04R 5/02;
H04R 9/06; H04R 19/013; H04R
2400/00; F21V 33/0048; F21V 33/0052;
F21V 33/0056; F21V 33/0004; F21V
15/00; F21V 15/01; F21V 17/164; F21V
23/026; F21S 8/02; F21S 8/03; F21S
8/04; F21S 8/06; F21S 8/026; F21S
8/046; F21S 8/088; F21S 8/033; F21S
8/37; F21S 8/048; F21S 8/083; F21S 2/00

See application file for complete search history.

“I-box Bedside Radio Alarm Clock,” Feb. 7, 2019, amazon.com, site visited Sep. 28, 2022, URL: <https://www.amazon.com/Charger-Wireless-Charging-Bluetooth-Original/dp/B07NGY19KQ?th=1> (Year: 2019).*

(Continued)

Primary Examiner — Christy Nemeth
Assistant Examiner — Sarah L Smith
(74) *Attorney, Agent, or Firm* — Jeenam Park

(57) **CLAIM**

The ornamental design for a wireless charging lamp, as shown and described.

DESCRIPTION

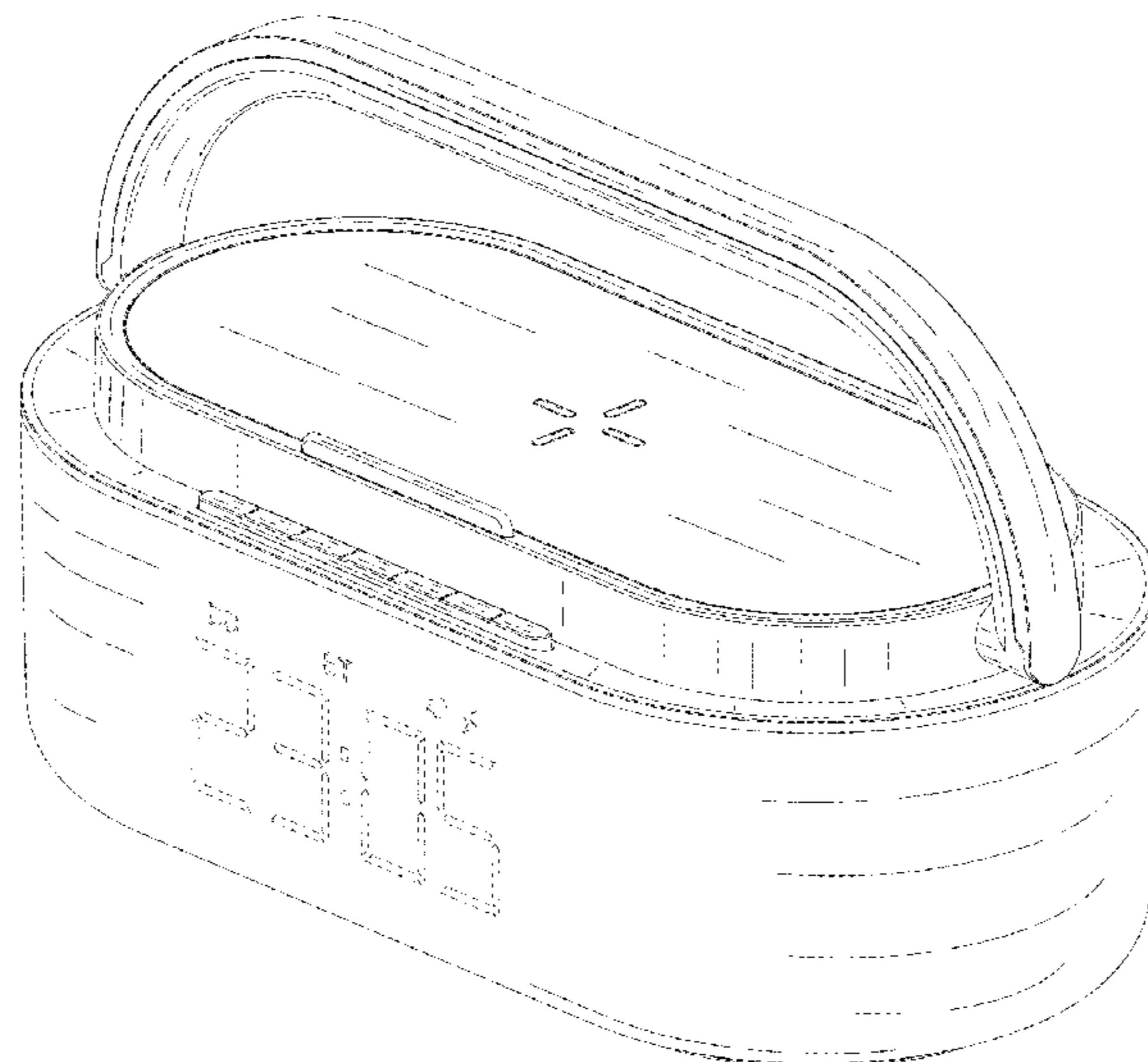
FIG. 1 is a perspective view of a wireless charging lamp, showing my new design;
FIG. 2 is another perspective view thereof;
FIG. 3 is a front view thereof;
FIG. 4 is a rear view thereof;
FIG. 5 is a left side view thereof;
FIG. 6 is a right side view thereof;
FIG. 7 is a top plan view thereof; and,
FIG. 8 is a bottom plan view thereof.
The broken line showing of the wireless charging lamp is for the purpose of illustrating portions of the article that form no part of the claimed design.

(56) **References Cited**

U.S. PATENT DOCUMENTS

D379,627 S * 6/1997 Takahashi H04R 9/02
D14/188
D421,607 S * 3/2000 Hakoda D14/171
D563,003 S * 2/2008 Aleksjew D26/37
D572,654 S * 7/2008 Kang D13/107
D734,384 S * 7/2015 Han D16/242
D764,090 S 8/2016 Wahl
D771,015 S * 11/2016 Tang D14/207
D808,363 S * 1/2018 Li D14/211

1 Claim, 8 Drawing Sheets



(56)

References Cited

U.S. PATENT DOCUMENTS

D872,016 S * 1/2020 Liao D13/108
 D882,849 S * 4/2020 Mai D26/63
 D888,657 S * 6/2020 Helnerus D13/107
 D892,044 S * 8/2020 Zhang D26/51
 D892,729 S * 8/2020 Helnerus D13/107
 D894,121 S * 8/2020 Lomeli D27/194
 D907,001 S * 1/2021 Kim D14/170
 D907,828 S 1/2021 Zhang
 D911,946 S * 3/2021 Turksu D13/108
 D936,579 S * 11/2021 Wang D24/217
 D946,509 S * 3/2022 Lomeli D13/107
 D962,190 S * 8/2022 Du D14/149
 D963,910 S * 9/2022 Qiu D10/2
 2010/0296690 A1 * 11/2010 Shao H04R 9/02
 381/400
 2018/0099622 A1 * 4/2018 Richardson B60R 11/0241

FOREIGN PATENT DOCUMENTS

CN 306902129 * 10/2021
 CN 306931100 * 11/2021

OTHER PUBLICATIONS

“iHome Timeboost,” Sep. 17, 2020, amazon.com, site visited Sep. 28, 2022, URL: <https://www.amazon.com/iHome-TIMEBOOST-Qi-Certified-Bluetooth-Auto-Dimming/dp/B08JCW3VY2> (Year: 2020).*

* cited by examiner

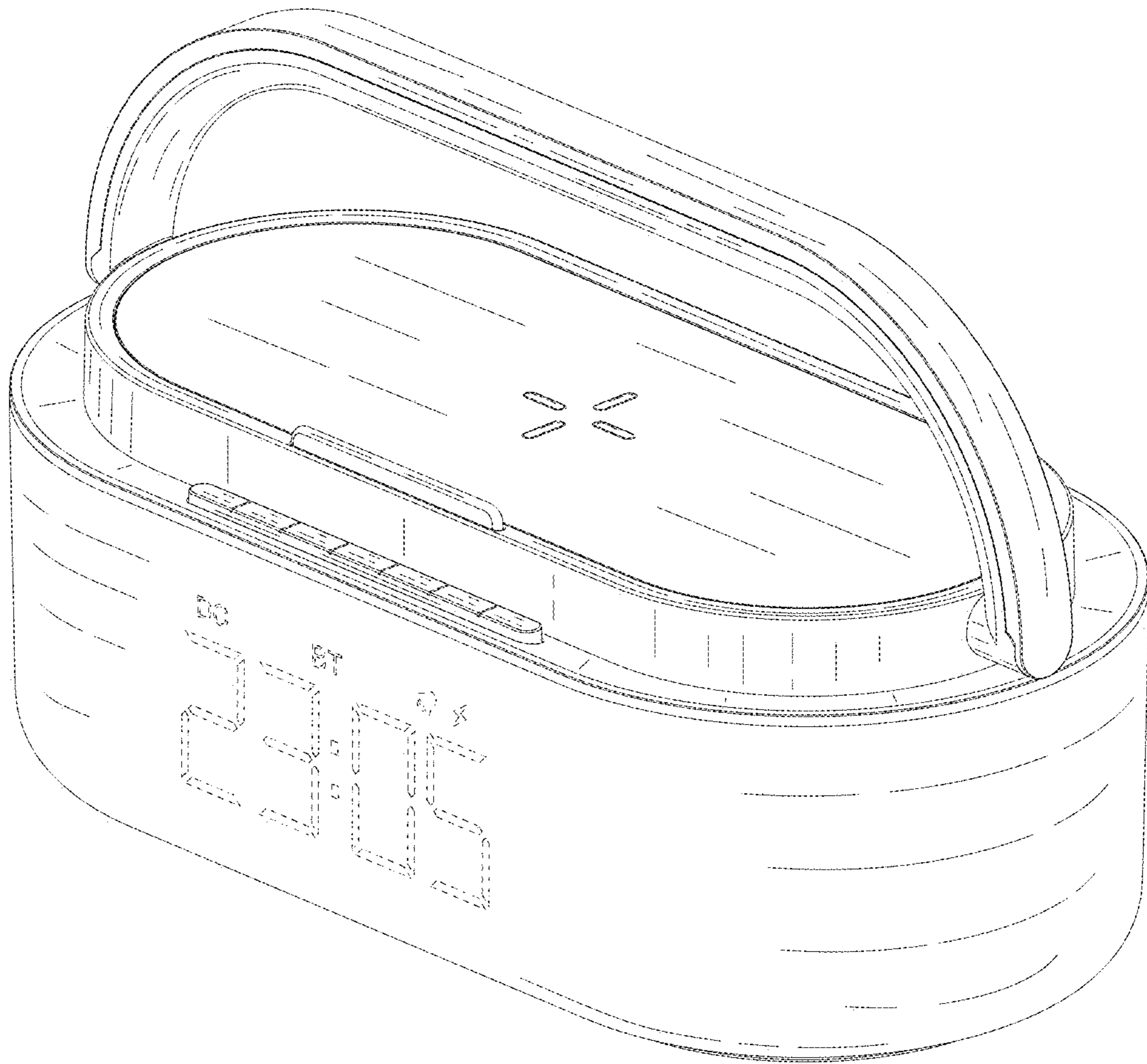


FIG. 1

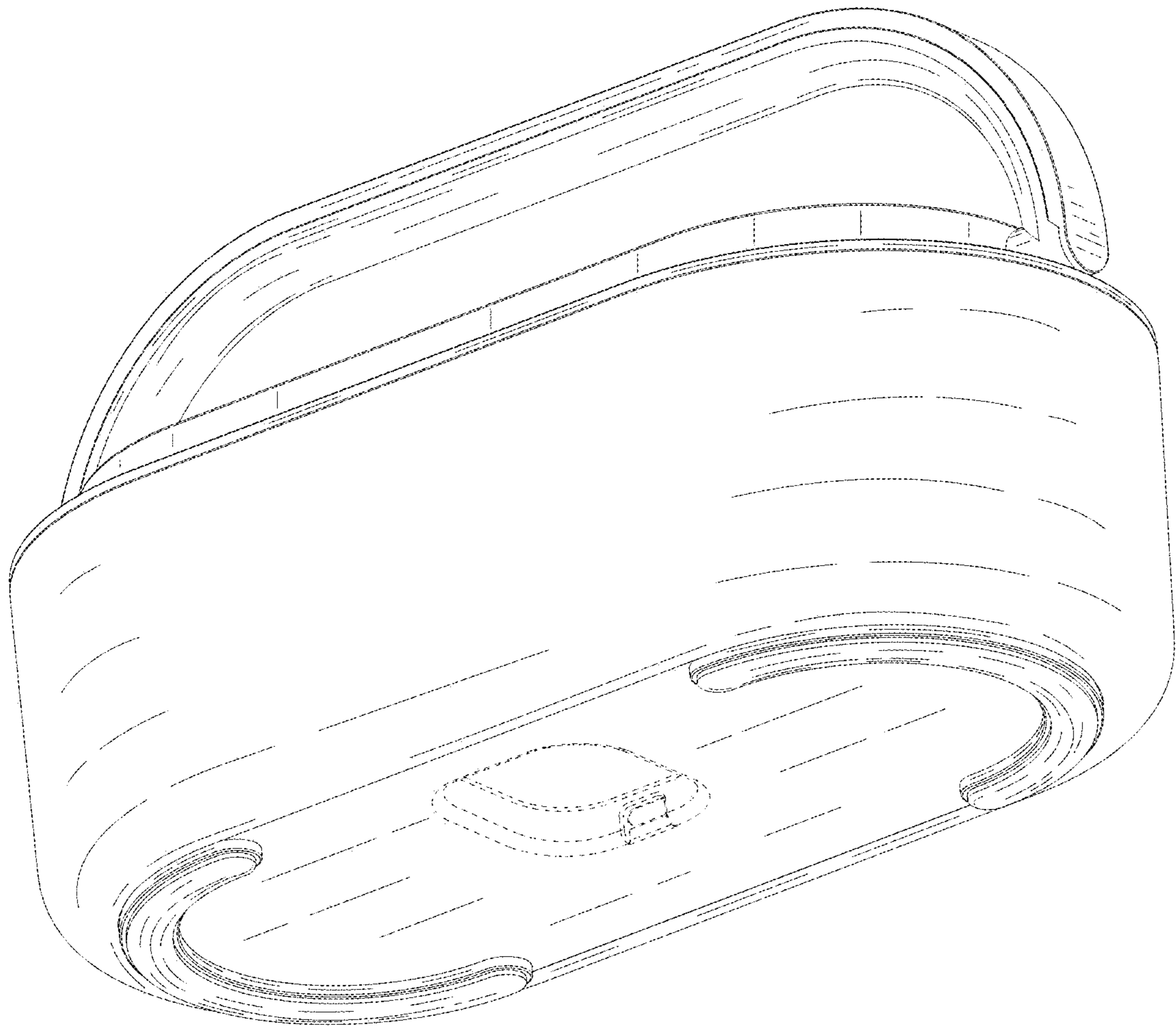


FIG. 2

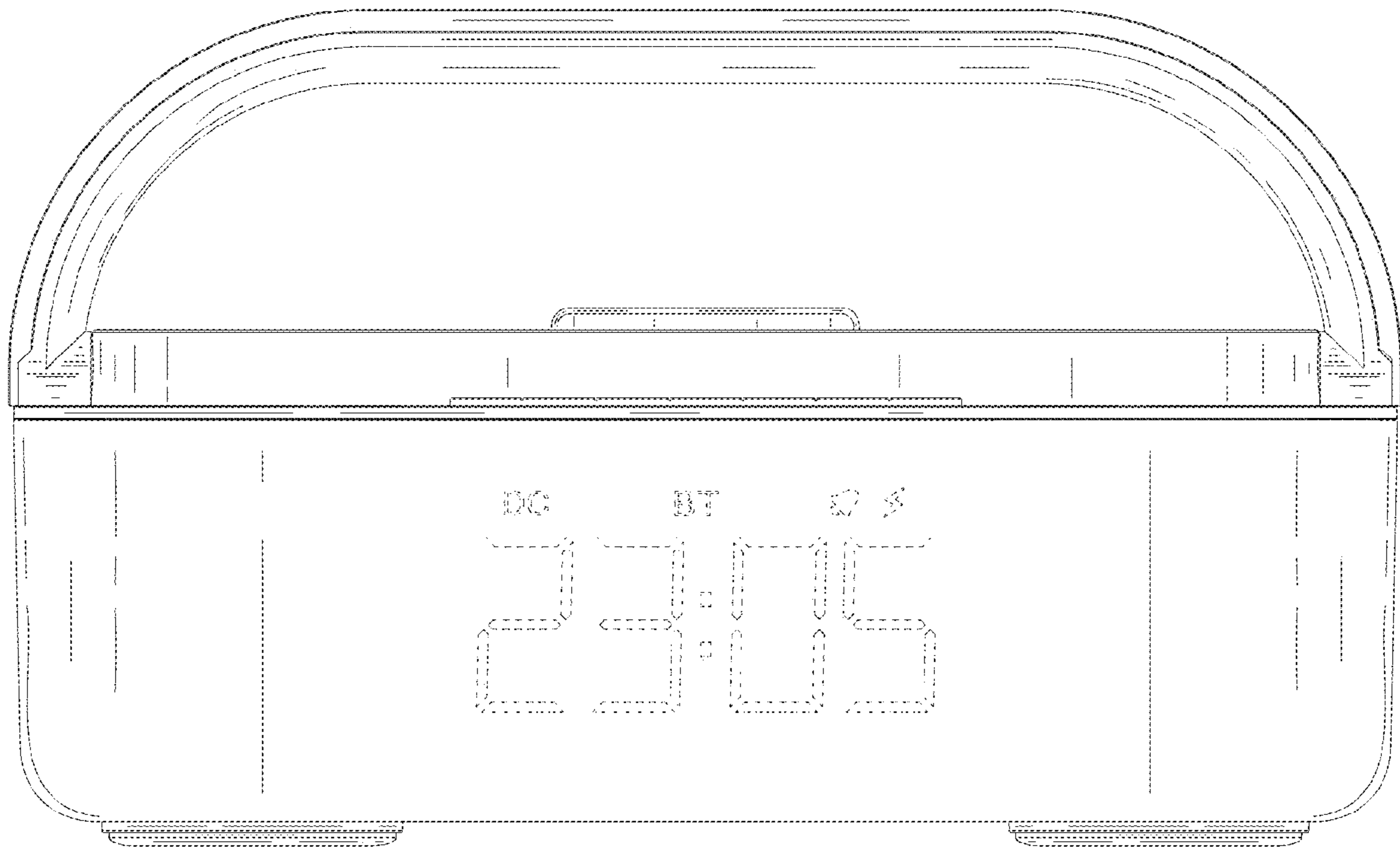


FIG. 3

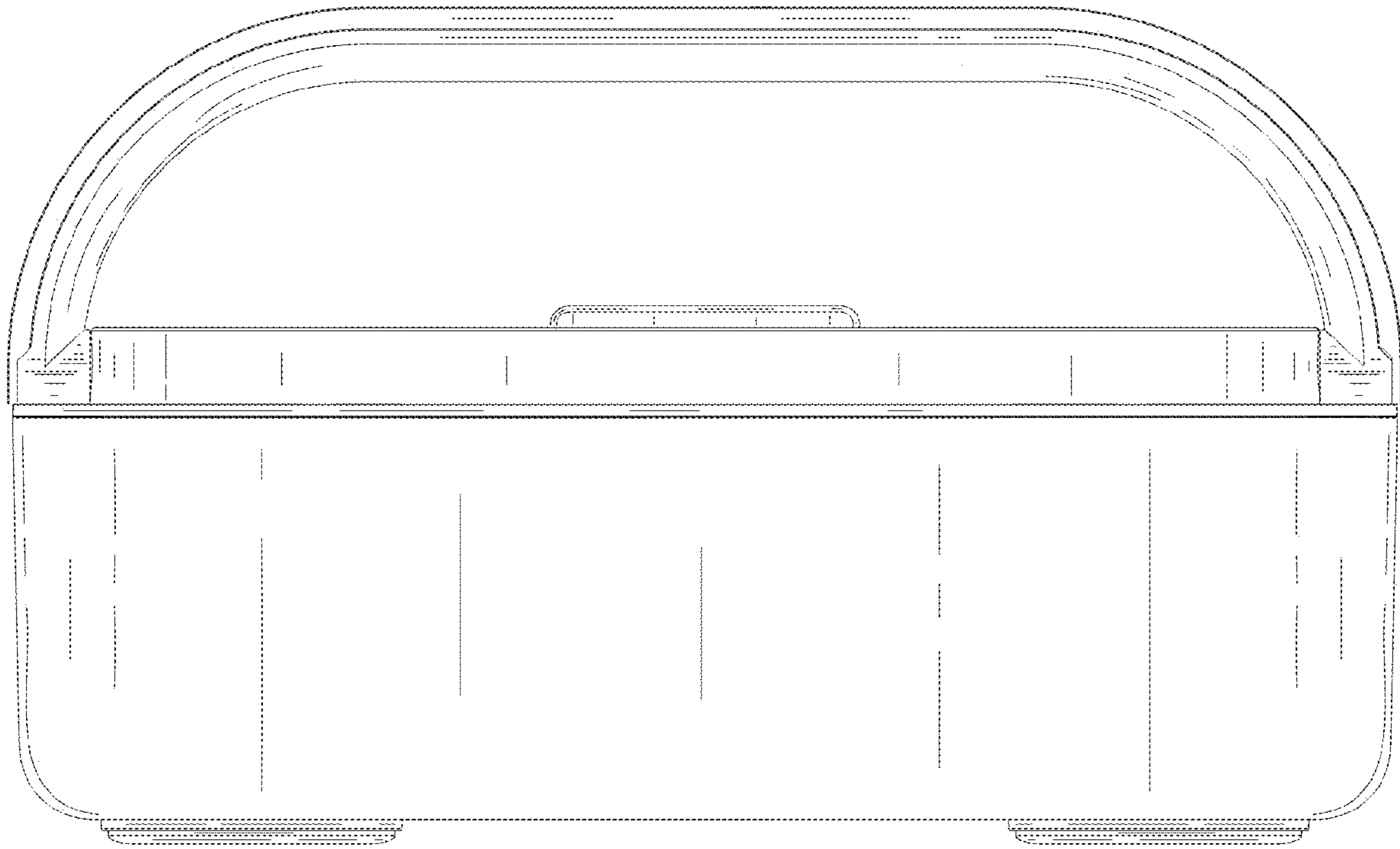


FIG. 4

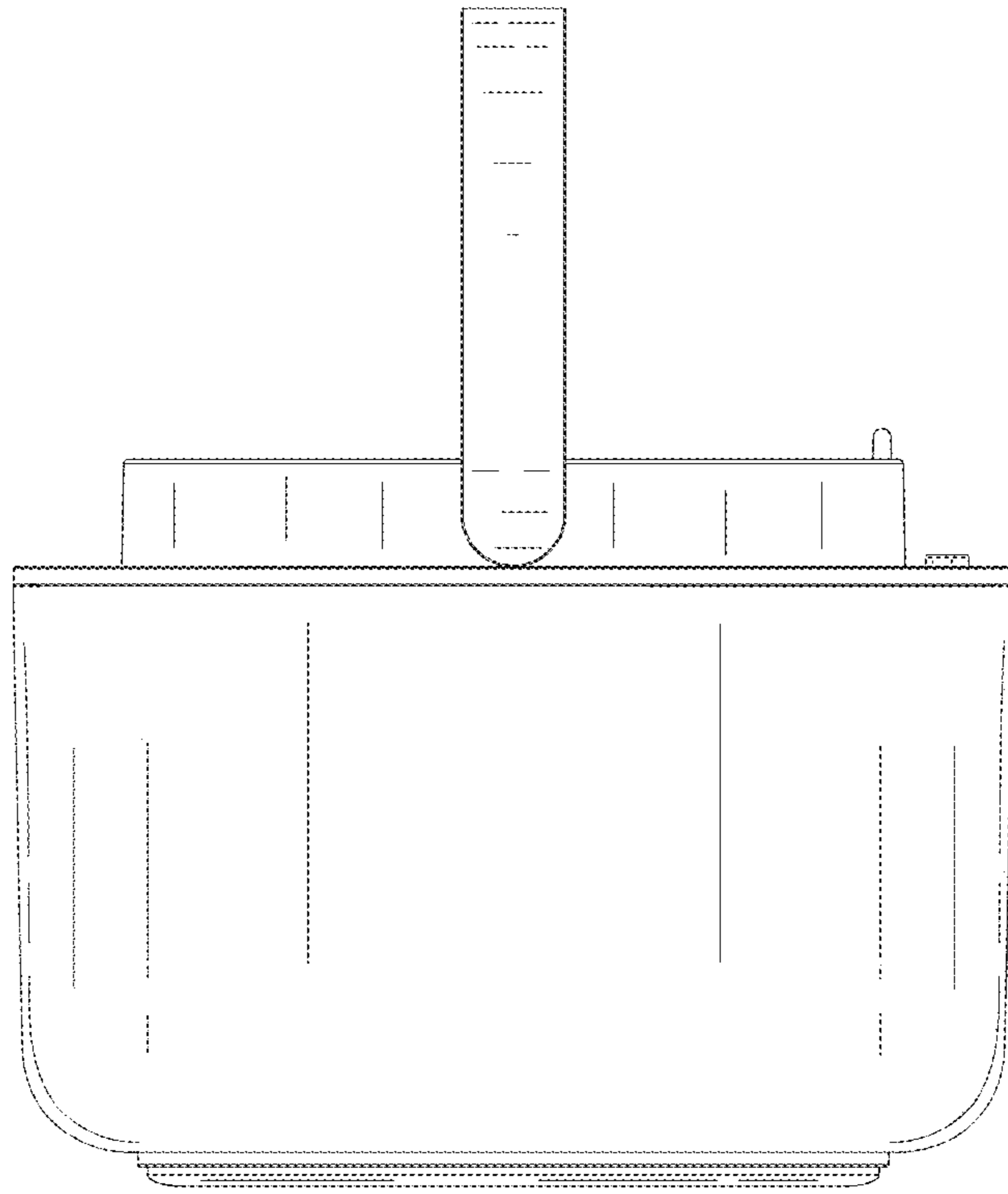


FIG. 5

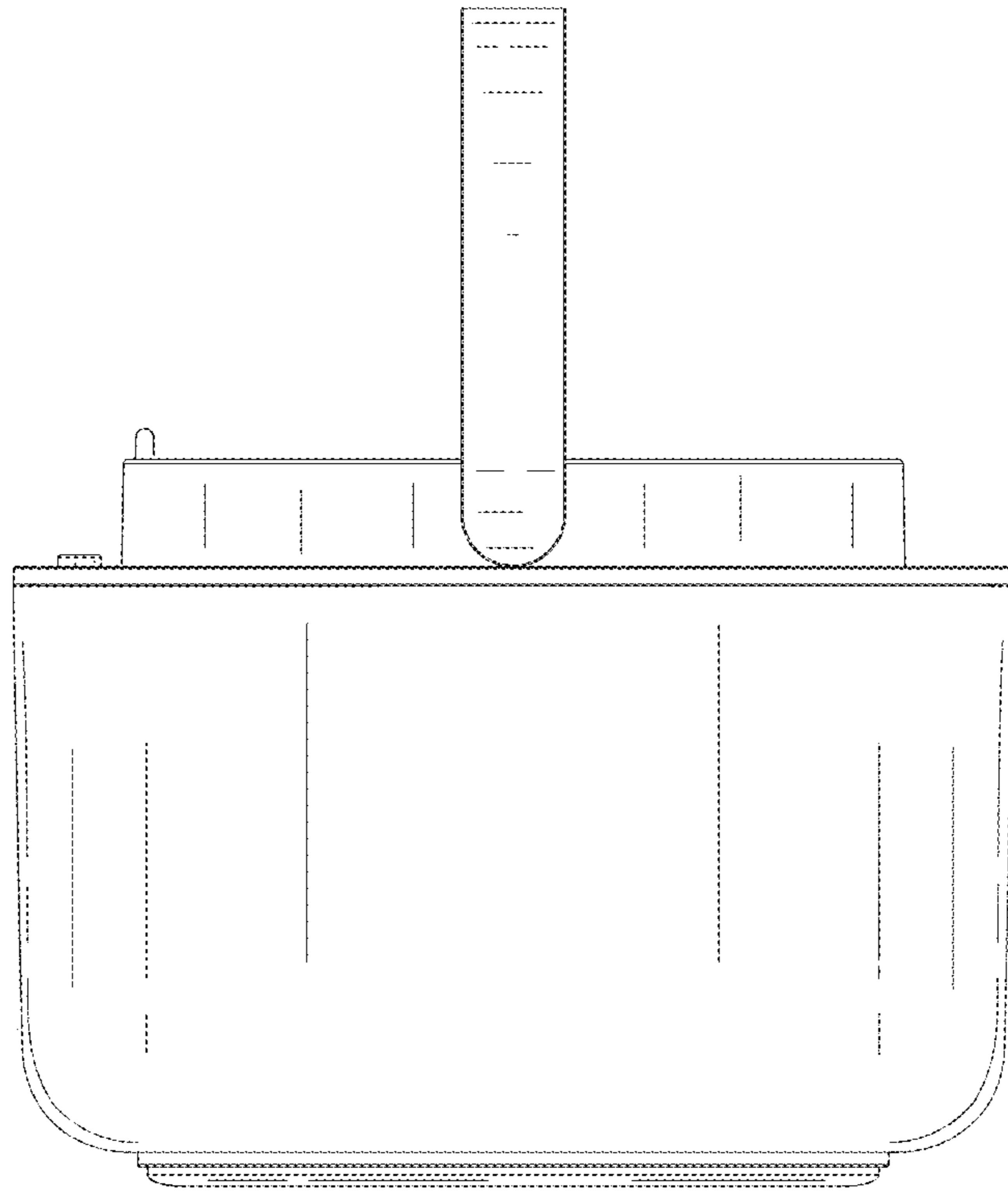


FIG. 6

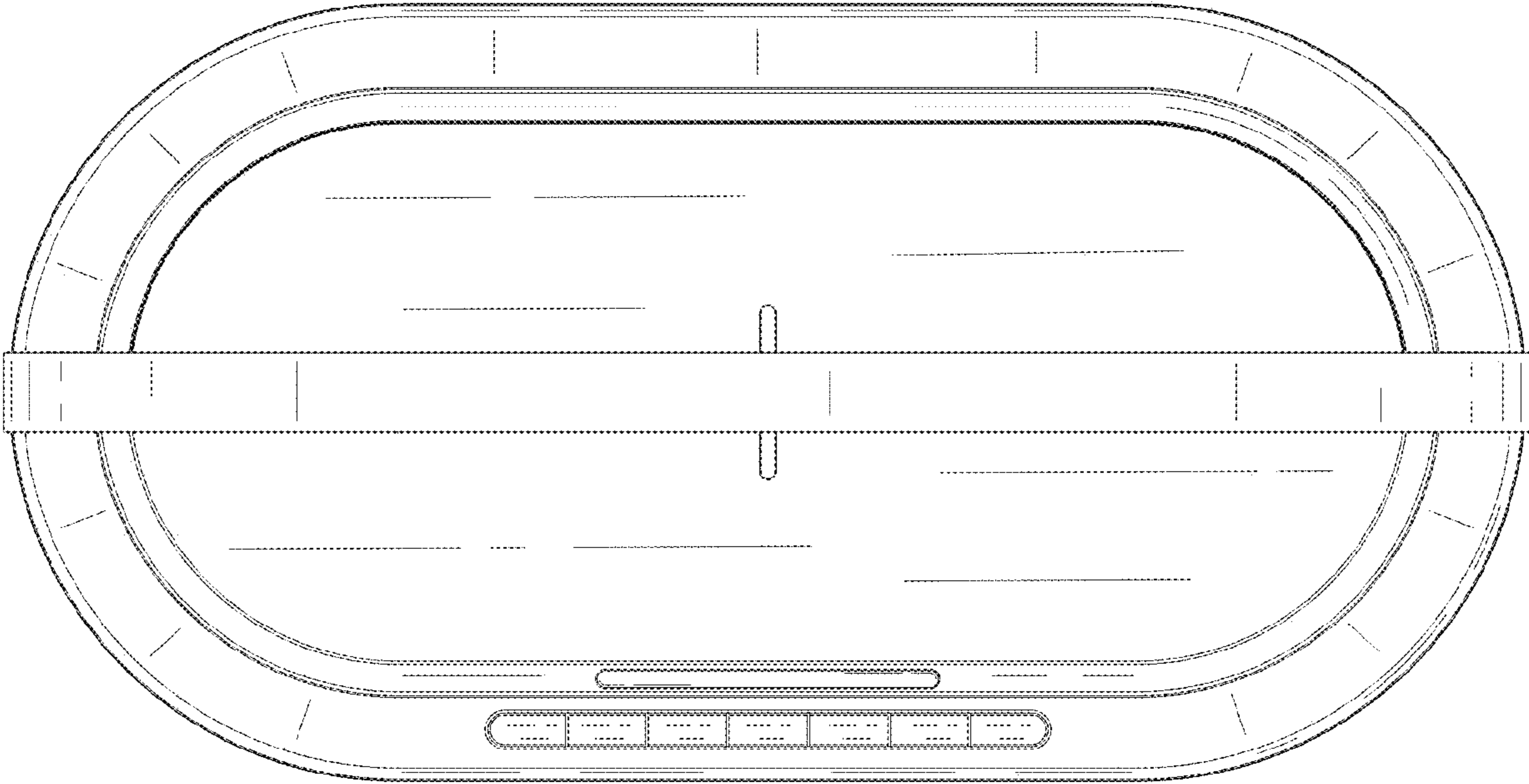


FIG. 7

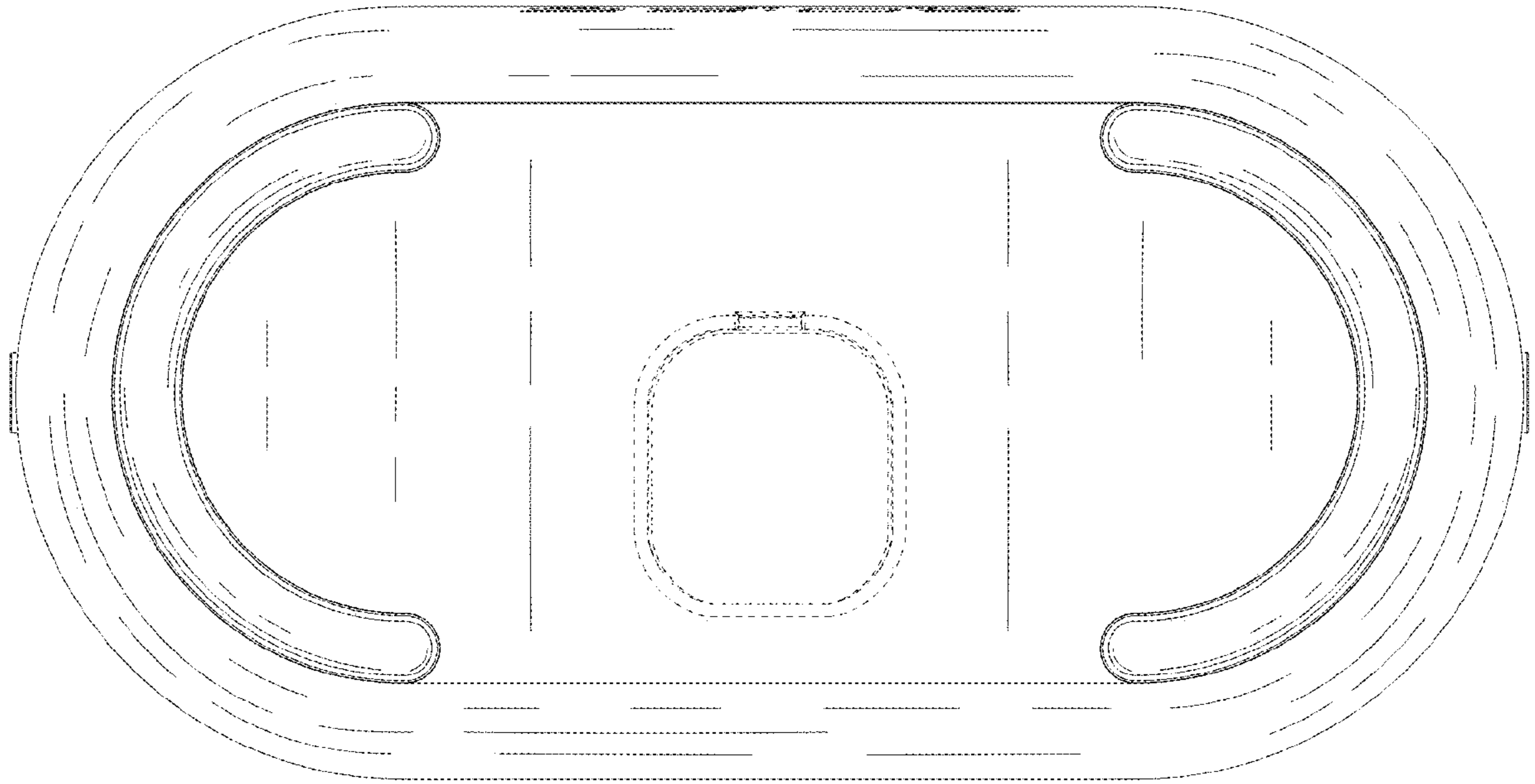


FIG. 8