



US00D978396S

(12) **United States Design Patent** (10) **Patent No.:** **US D978,396 S**
Cacciabeve (45) **Date of Patent:** **** Feb. 14, 2023**

(54) **PORTABLE LIGHT**
(71) Applicant: **Walter R. Tucker Enterprises, Ltd.**,
Deposit, NY (US)
(72) Inventor: **Robert Cacciabeve**, Boonton, NJ (US)
(73) Assignee: **Walter R. Tucker Enterprises, Ltd.**,
Deposit, NY (US)

5,791,763 A 8/1998 Kam-Hoi
D408,566 S 4/1999 Welsh et al.
6,004,004 A 12/1999 Altman et al.
6,641,279 B1 11/2003 Williams
6,680,844 B2 1/2004 Kim
6,866,395 B2 3/2005 Phipps et al.
6,874,908 B2 4/2005 Sharrah et al.
D536,116 S 1/2007 Sharrah

(Continued)

(**) Term: **15 Years**

(21) Appl. No.: **29/750,253**

(22) Filed: **Sep. 11, 2020**

(51) **LOC (14) Cl.** **26-02**

(52) **U.S. Cl.**
USPC **D26/39**

(58) **Field of Classification Search**
USPC D26/24, 37-52, 61-63, 113, 118-119,
D26/138; D2/866, 600, 609
CPC F21V 21/116; F21V 21/32; F21V 23/06;
F21V 33/0004; F21V 33/0024; F21L
4/00; F21S 6/002; F21S 8/085; F21S
8/086; F21W 2131/103; F21Y 2115/10
See application file for complete search history.

FOREIGN PATENT DOCUMENTS

CN 201661949 U 12/2010
CN 201916829 U 8/2011

(Continued)

OTHER PUBLICATIONS

Multifunction 24 LED Long Range Flexible Snake Light Flashlight,
Sku# ZP3051000711006, <https://www.zapals.com>, 3 pages, Jan. 4,
2019.

(Continued)

Primary Examiner — Marissa J Cash
Assistant Examiner — William B Melliar
(74) *Attorney, Agent, or Firm* — Breiner & Breiner,
L.L.C.

(56) **References Cited**

U.S. PATENT DOCUMENTS

D268,442 S 3/1983 Darmon
4,495,550 A 1/1985 Visciano
D306,351 S 2/1990 Charet et al.
D365,646 S 12/1995 deBlois
D368,146 S 3/1996 Carbone
D369,873 S 5/1996 deBlois et al.
D370,988 S 6/1996 Santarsiero
D371,855 S 7/1996 Heun
D373,651 S 9/1996 Szymanski
D374,299 S 10/1996 Carbone
D385,371 S 10/1997 Yemini
5,707,137 A 1/1998 Hon
5,717,276 A 2/1998 Hsu
5,765,938 A 6/1998 Rousso et al.

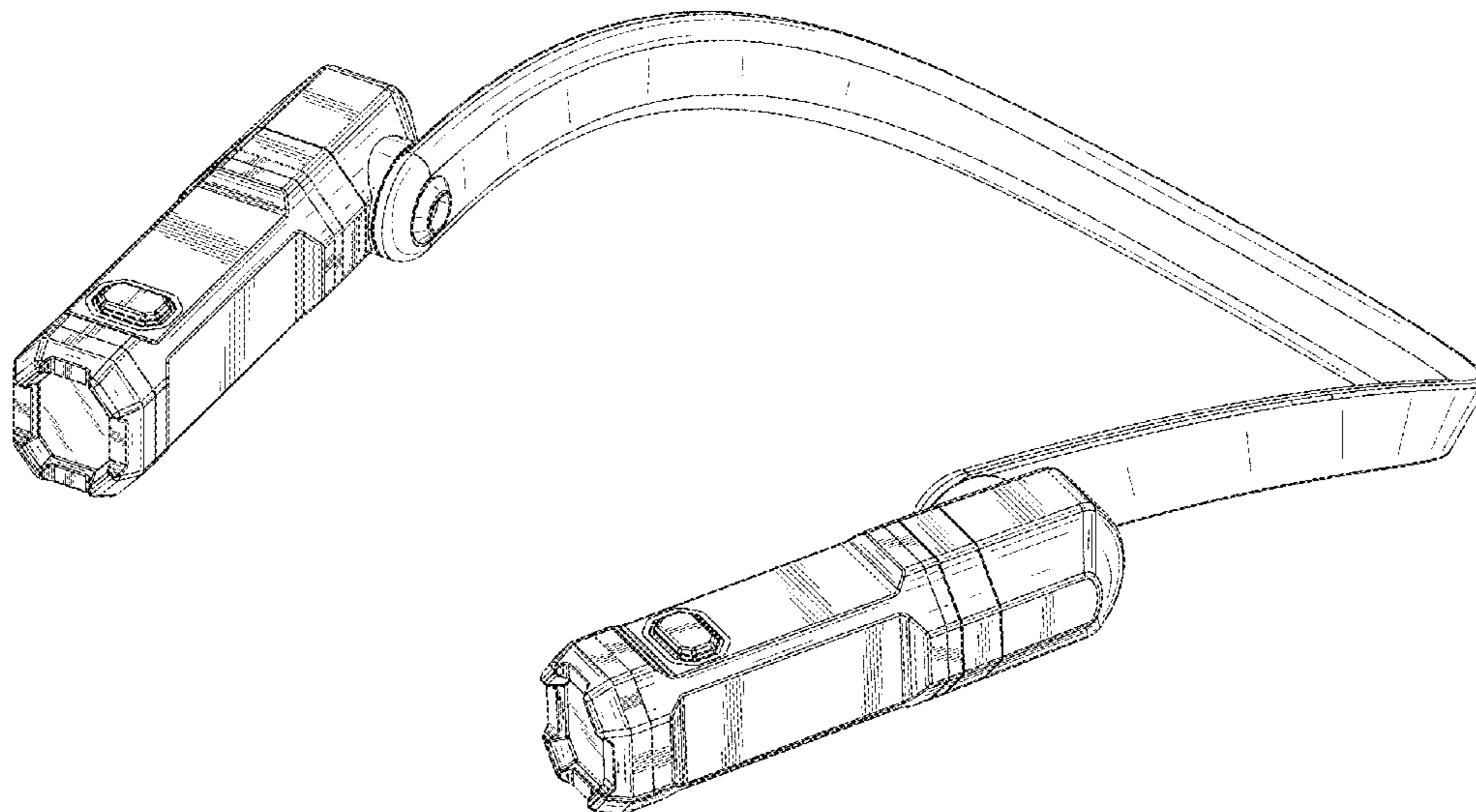
(57) **CLAIM**

The ornamental design for a portable light, as shown and
described.

DESCRIPTION

FIG. 1 is a perspective view of the portable light;
FIG. 2 is a front view of the portable light;
FIG. 3 is a rear view of the portable light;
FIG. 4 is a side view of the portable light the opposite side
being a mirror image;
FIG. 5 is a top view of the portable light; and,
FIG. 6 is a bottom view of the portable light.

1 Claim, 5 Drawing Sheets



(56)

References Cited

U.S. PATENT DOCUMENTS

7,175,295 B2 2/2007 Bretz et al.
 D571,942 S * 6/2008 Christianson D26/39
 D623,783 S 9/2010 Christianson et al.
 D699,875 S * 2/2014 Christianson D26/43
 8,715,328 B2 5/2014 Gerardo
 D738,420 S * 9/2015 Lee D16/208
 D768,024 S 10/2016 Dayal et al.
 9,534,752 B1 1/2017 Mishan
 9,546,779 B2 1/2017 Rementer
 9,677,901 B2 6/2017 Yamamoto
 D804,070 S 11/2017 Mishan
 D835,314 S 12/2018 Sun
 D871,257 S * 12/2019 Cacciabeve D12/39
 D871,636 S * 12/2019 Cacciabeve D26/39
 10,677,431 B2 6/2020 Cacciabeve
 D923,834 S * 6/2021 Ying D26/43
 D931,510 S * 9/2021 Lu D26/39
 D935,659 S * 11/2021 Yang D26/39
 D937,458 S * 11/2021 Wu D26/37
 D939,745 S * 12/2021 Zhang D26/39
 2003/0067771 A1 4/2003 Kung
 2003/0161143 A1 8/2003 Parker et al.

2003/0189824 A1 10/2003 Meeder et al.
 2006/0176680 A1 8/2006 Bretz et al.
 2012/0195031 A1* 8/2012 Li F21L 4/085
 362/183
 2017/0138585 A1 5/2017 Korenek et al.
 2020/0109841 A1* 4/2020 Cacciabeve F21V 21/26
 2020/0408389 A1* 12/2020 Cacciabeve F21V 21/145
 2020/0408390 A1* 12/2020 Cacciabeve F21L 4/08

FOREIGN PATENT DOCUMENTS

CN 203363701 U 12/2013
 CN 106764575 A 5/2017
 EP 2146136 A1 1/2010
 EP 2740988 A1 6/2014
 WO 2017126512 A1 7/2017

OTHER PUBLICATIONS

MyLight HL000002 HUGlight Pro LED Hands Free Magnetic Task
 Light by My Light, <https://www.amazon.com>. 1 page, Jan. 4, 2019.
 My Light Hug Light LED Hands-Free Flexible Book Light by My
 Light, <https://www.amazon.com>, 8 pages, Jan. 4, 2019.

* cited by examiner

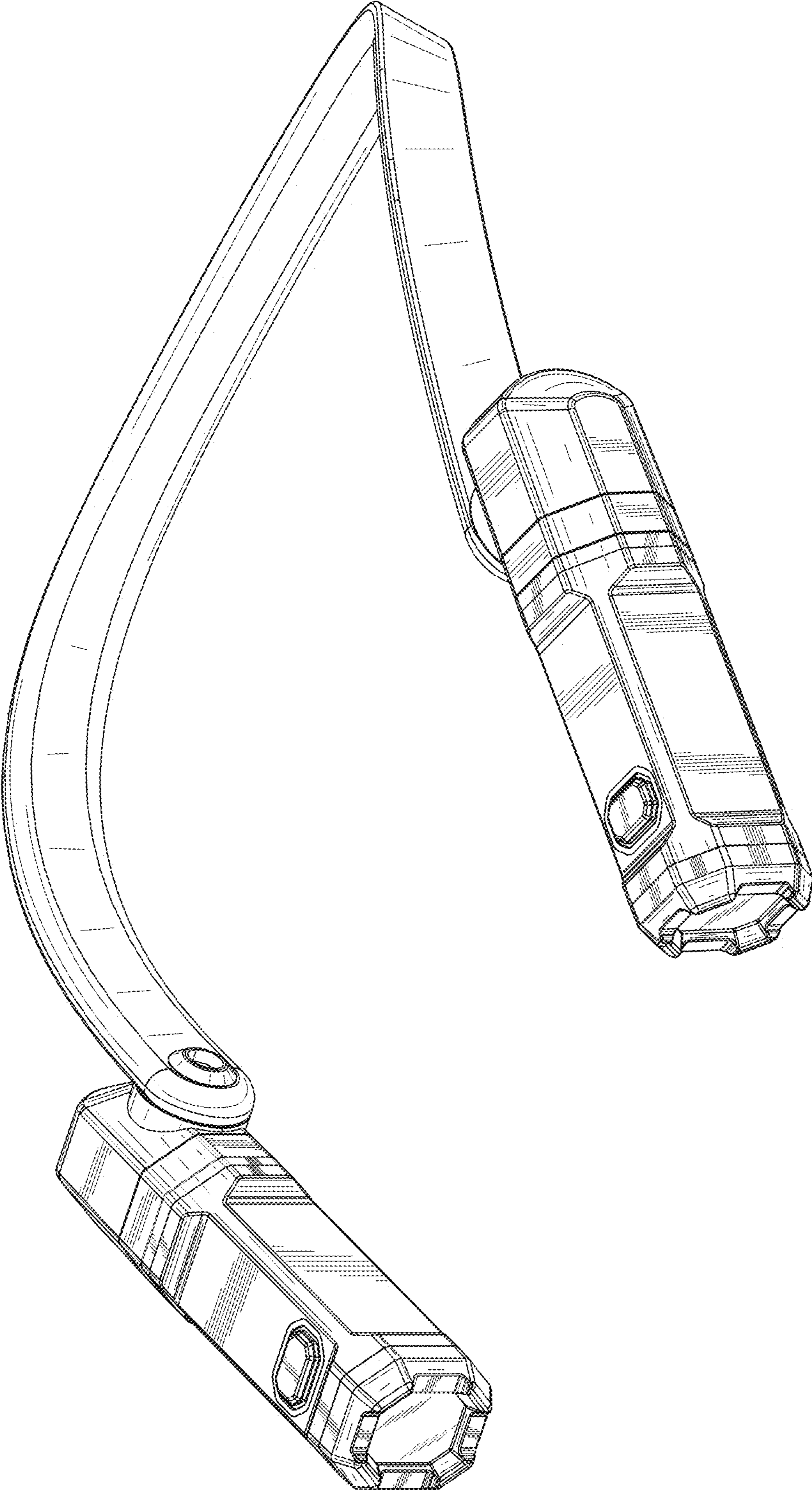


FIG. 1

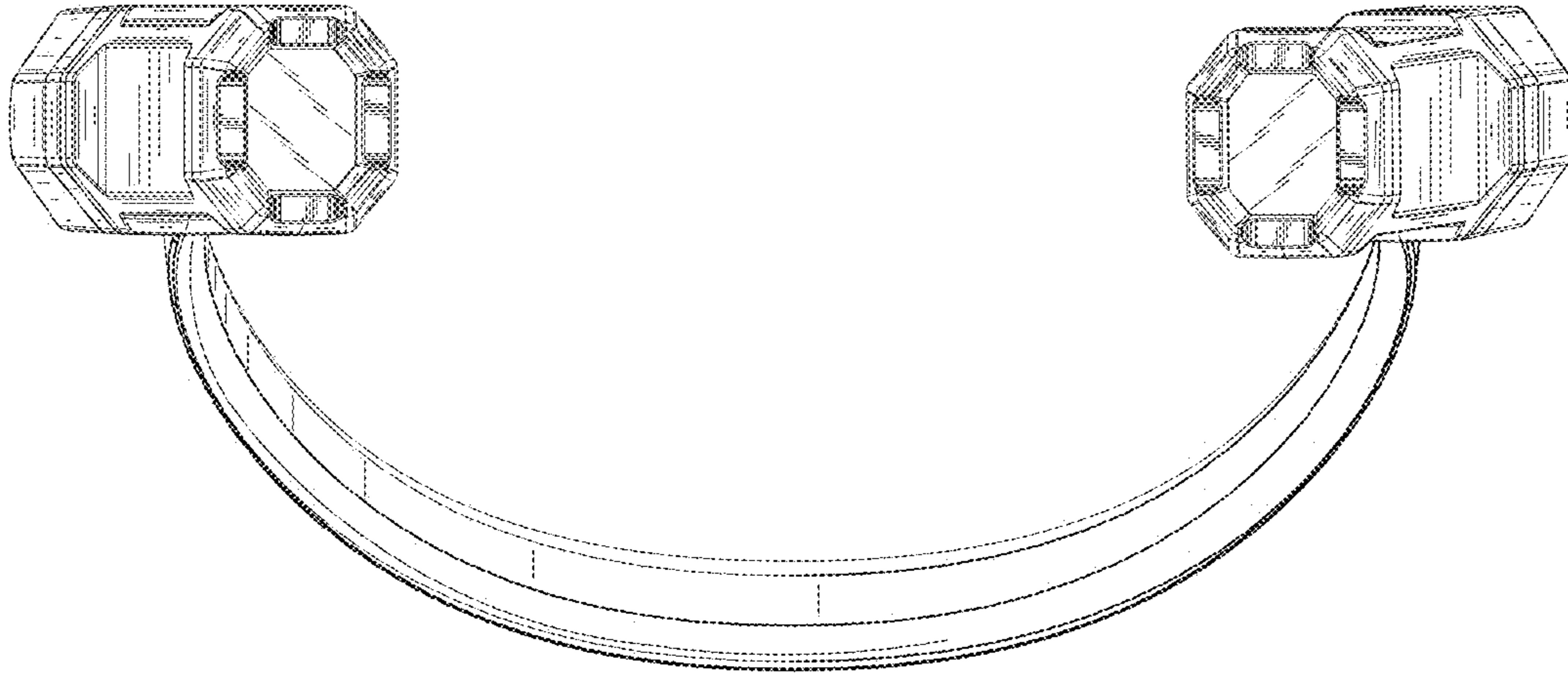


FIG. 2

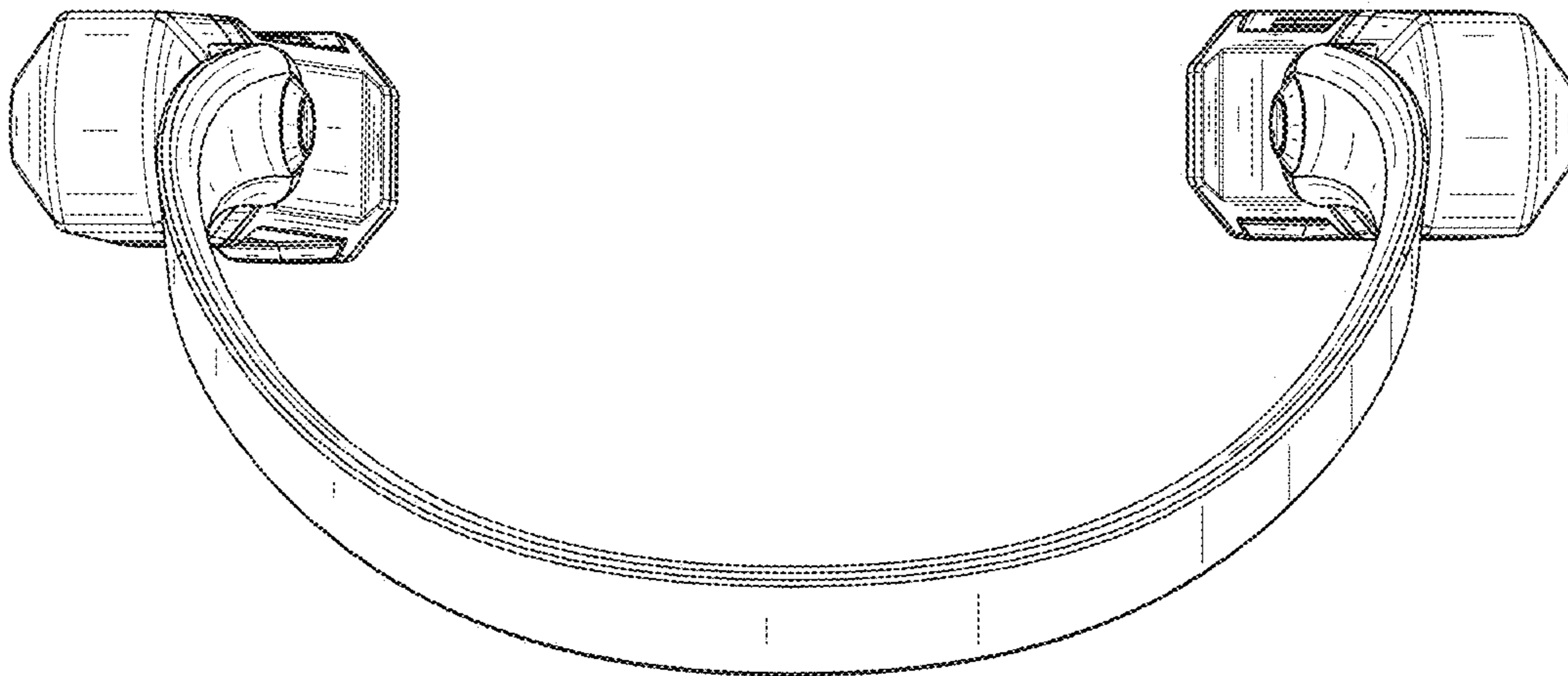


FIG. 3

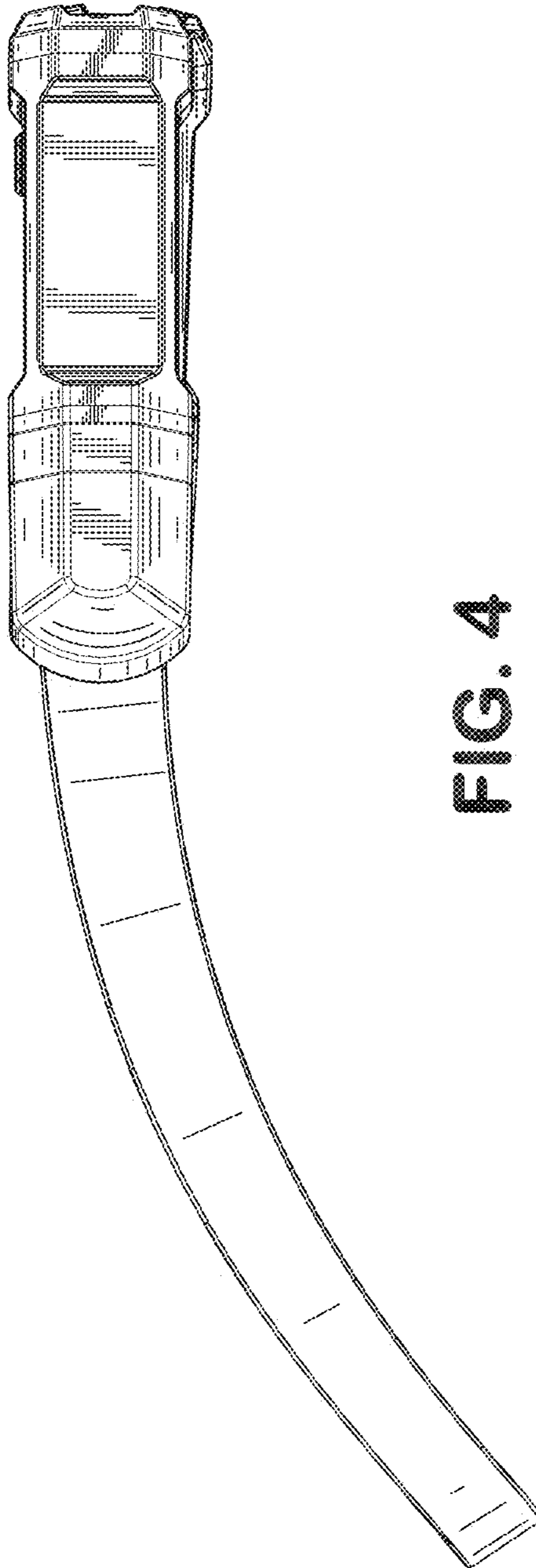


FIG. 4

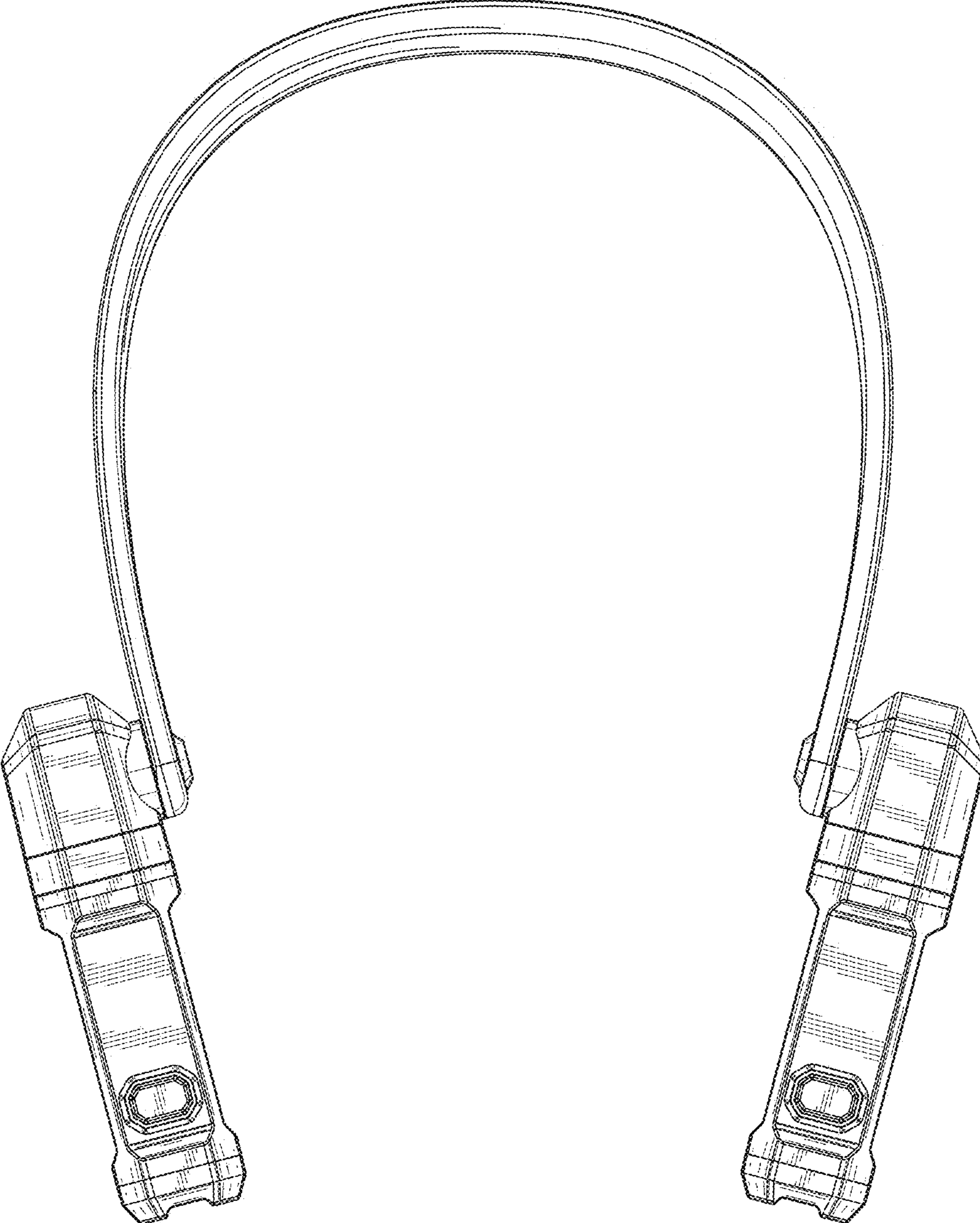


FIG. 5

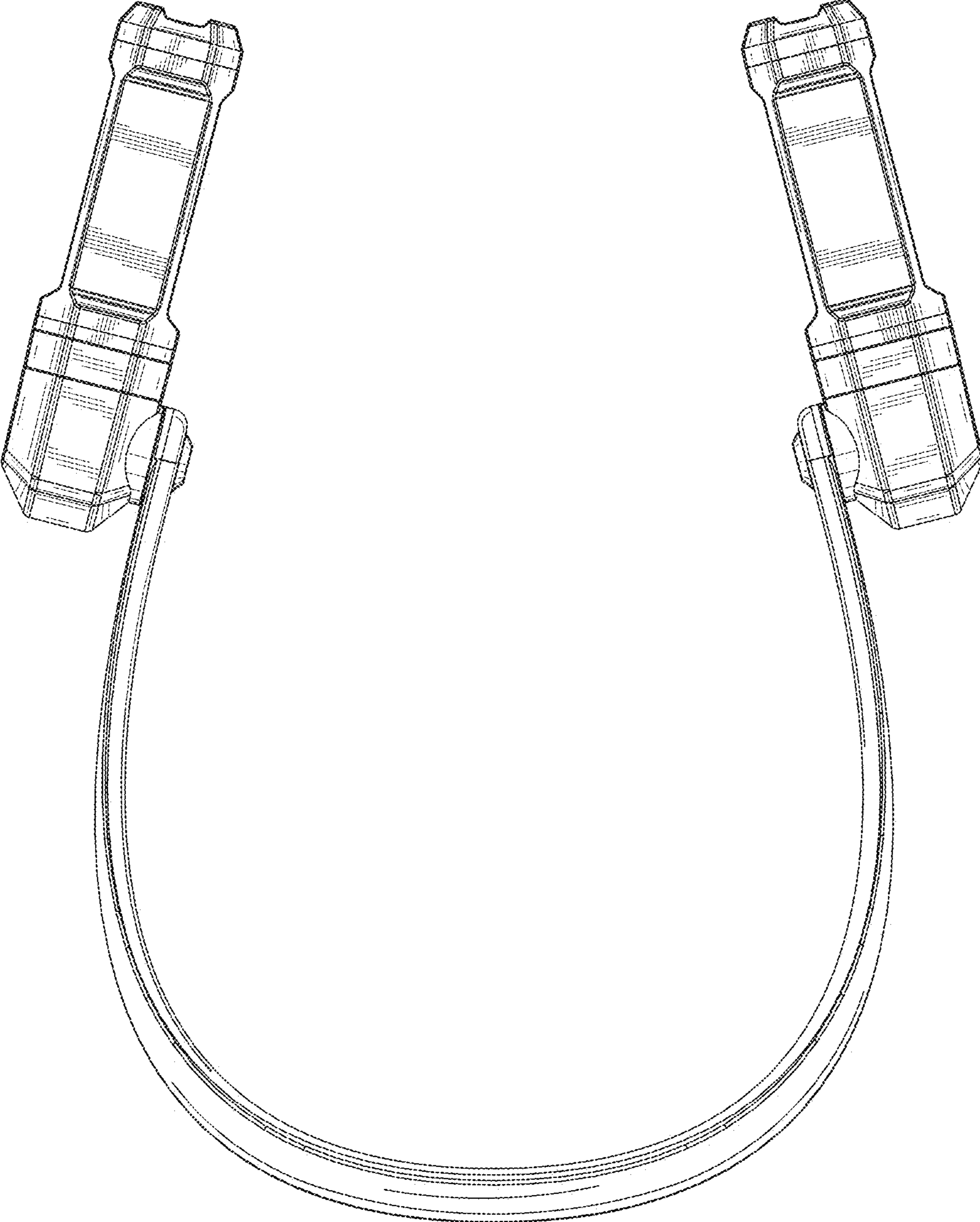


FIG. 6