



US00D978395S

(12) **United States Design Patent**
Wang

(10) **Patent No.:** **US D978,395 S**

(45) **Date of Patent:** **** Feb. 14, 2023**

(54) **LASER POINTER**

(71) Applicant: **Jingbang Wang, Anhui (CN)**

(72) Inventor: **Jingbang Wang, Anhui (CN)**

(**) Term: **15 Years**

(21) Appl. No.: **29/841,269**

(22) Filed: **Jun. 3, 2022**

(51) **LOC (14) Cl.** **26-02**

(52) **U.S. Cl.**
USPC **D26/38**

(58) **Field of Classification Search**
USPC D26/37-44, 46-52; D10/109.1, 111-115
CPC F21V 21/145; F21V 23/0414; F21V 5/006;
F21L 4/005; F21L 4/045; F41B 15/022;
Y10S 362/80

See application file for complete search history.

(56) **References Cited**

U.S. PATENT DOCUMENTS

D419,704 S *	1/2000	Ting	D26/37
D502,736 S	3/2005	Chen		
D516,738 S	3/2006	Lin		
D628,629 S *	12/2010	Liu	D19/904
D676,170 S *	2/2013	Feng	D26/49
D725,810 S *	3/2015	Jeong	D26/38
D729,963 S *	5/2015	Windom	D26/49
D809,169 S *	1/2018	Grandadam	D26/42
D810,978 S *	2/2018	Windom	D26/49

D822,864 S *	7/2018	Windom	D26/51
D844,204 S *	3/2019	Ma	D26/49
D849,978 S *	5/2019	Pan	D26/41
D859,712 S *	9/2019	Kaye	D26/42
D882,840 S *	4/2020	Liu	D26/49
D942,060 S *	1/2022	Luo	D26/37

OTHER PUBLICATIONS

Amazon, Brand: MNRYLKB, Laser Pointer, Used for Outdoor Climbing, Teaching, and Field Fishing (Green), <https://a.co/d/f6rGGow>, Sep. 26, 2021 (Year: 2021).*

* cited by examiner

Primary Examiner — Keli L Hill
Assistant Examiner — Harold E Blackwell, II

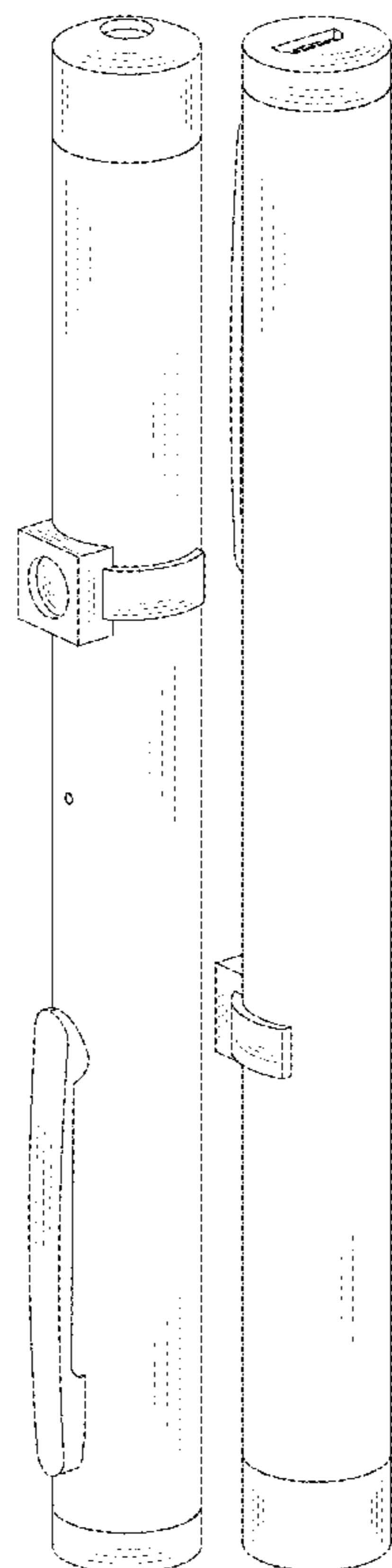
(57) **CLAIM**

The ornamental design for a laser pointer, as shown and described.

DESCRIPTION

FIG. 1 is a perspective view of a laser pointer showing my new design;
FIG. 2 is another perspective view thereof;
FIG. 3 is a front view thereof;
FIG. 4 is a back view thereof;
FIG. 5 is a left view thereof;
FIG. 6 is a right view thereof;
FIG. 7 is a top view thereof; and,
FIG. 8 is a bottom view thereof.

1 Claim, 8 Drawing Sheets



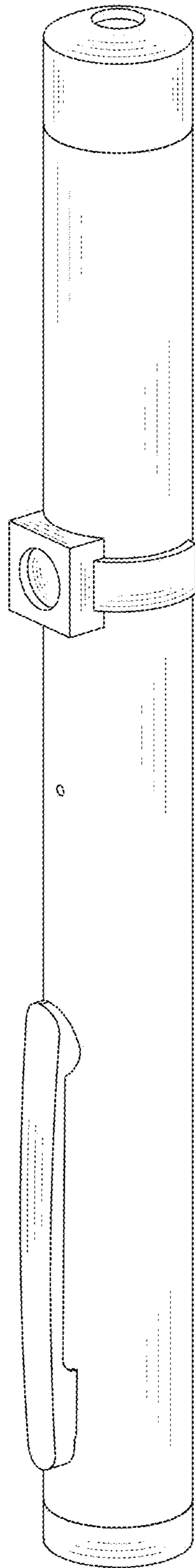


FIG. 1

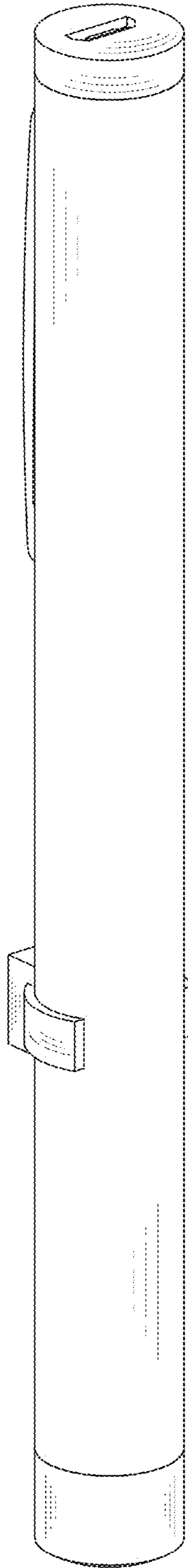


FIG. 2

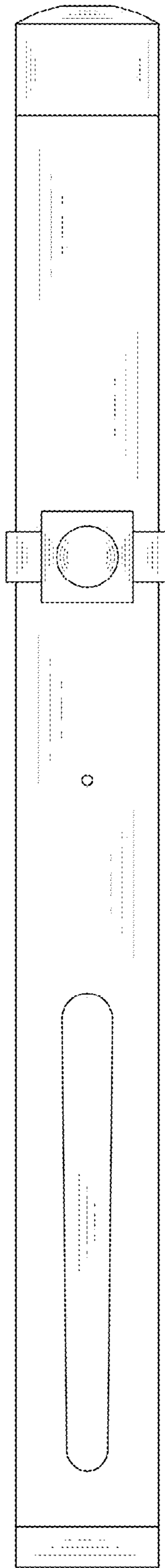


FIG. 3

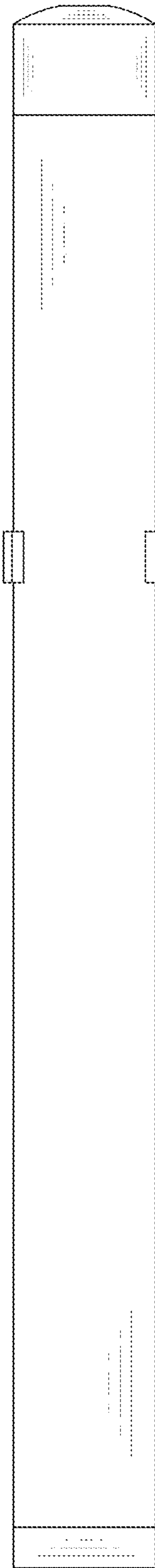


FIG. 4

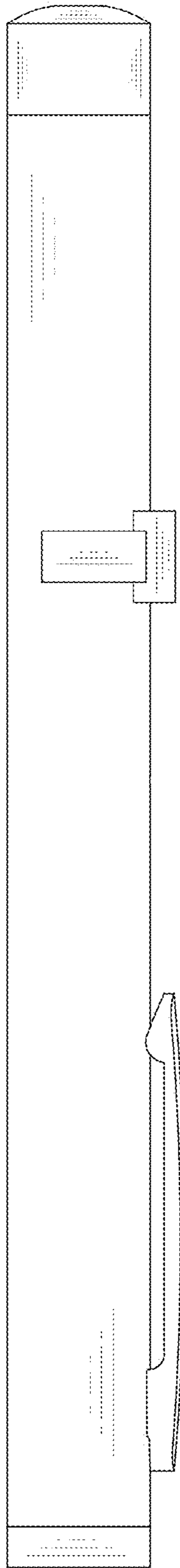


FIG. 5

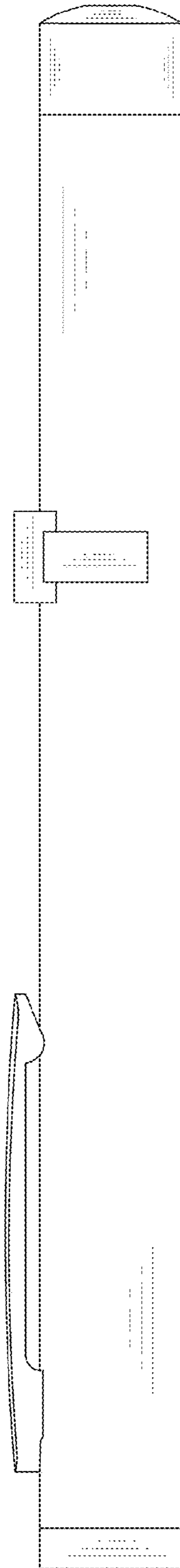


FIG. 6

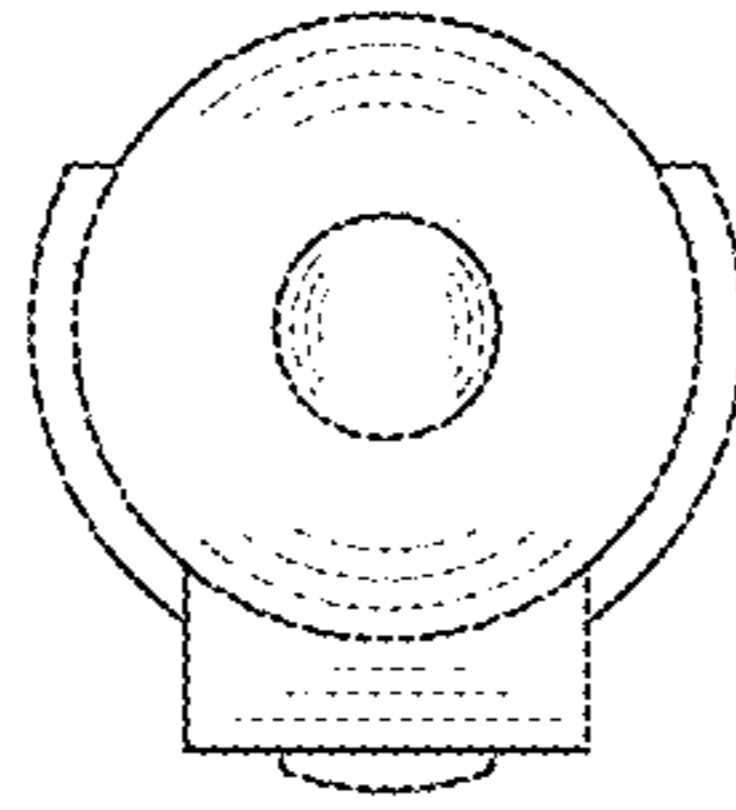


FIG. 7

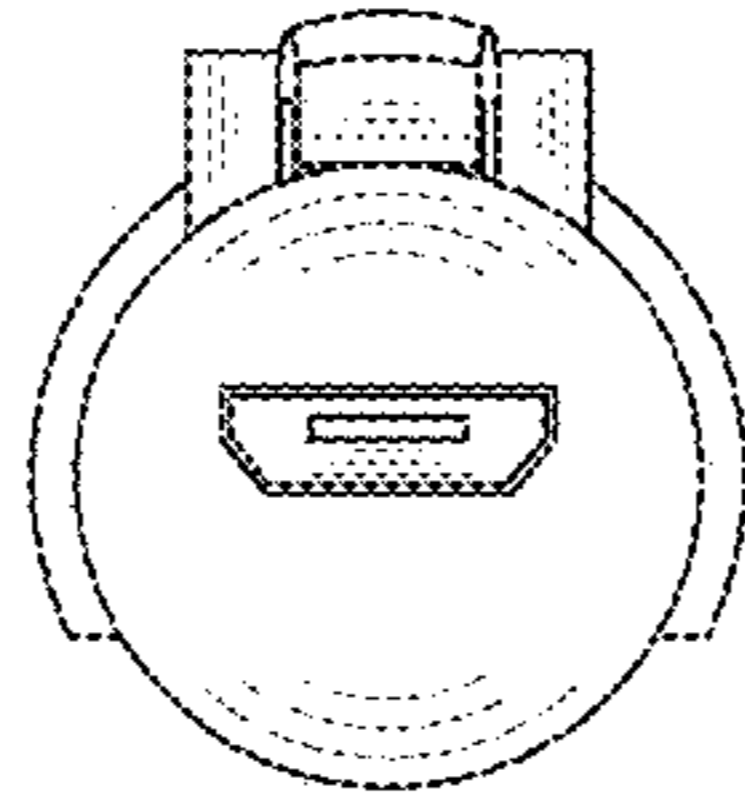


FIG. 8